

GTR-128/GTR-129

Motorcycle/ Vehicle Tracker

Quick Start Guide



GlobalSat WorldCom Corporation

16F., No. 186, Jian 1st Rd, Zhonghe Dist.,

New Taipei City 23553, Taiwan

Tel: 886.2.8226.3799/ Fax: 886.2.8226.3899

service@globalsat.com.tw

www.globalsat.com.tw

USGlobalSat Incorporated

14740 Yorba Court Chino, CA 91710

Tel: 888.323.8720 / Fax: 909.597.8532

sales@usglobalsat.com

www.usglobalsat.com

CONTENT

| | |
|---|----|
| 1. Introduction | 3 |
| 1.1 Introduction | 3 |
| 1.2 Features | 3 |
| 1.3 Hardware specification | 4 |
| 1.4 Appearance | 5 |
| 1.5 LED indicator | 5 |
| 1.6 Cable description | 6 |
| 1.7 Accessories | 7 |
| 1.7.1 Standard Items | 7 |
| 1.7.2 Optional Items | 8 |
| 12V/24V Relay | 8 |
| 2 Operation | 9 |
| 2.1 Install the SIM card | 9 |
| 2.2 Connect the Main Power..... | 11 |
| 2.3 Switch on/off Tracker..... | 11 |
| 2.4 Fix the device | 12 |
| 3 Installation..... | 14 |
| 3.1 Installing the Emergency button | 14 |
| 3.2 Connecting ignition detection line on car | 15 |
| 3.3 Connecting Relay | 16 |
| 3.4 Installation reminder | 17 |

1. Introduction

1.1 Introduction

GTR-128/GTR-129 is designed as a durable and multi-functional GPS/GSM/GPRS tracker. It integrates highly sensitive GPS module and quad-band GSM communication module with a powerful microcontroller that fits into a compact enclosure. The device is capable of being waterproof and ideal for use in a motorcycle, golf carts and vehicles. It is small in size and low in cost for covert and efficient tracking device. It provides real-time GPS positions anytime and anywhere with an open view to the sky, and offers precise positioning, and reports vehicle status to the server with necessary information shown on the map. Benefits such as enhanced fleet management, improved vehicle safety, emergency response, are all accomplished through the implementation of the GTR-128/GTR-129 system. The built-in GSM and GPS antennas are for easy installation without hassle.

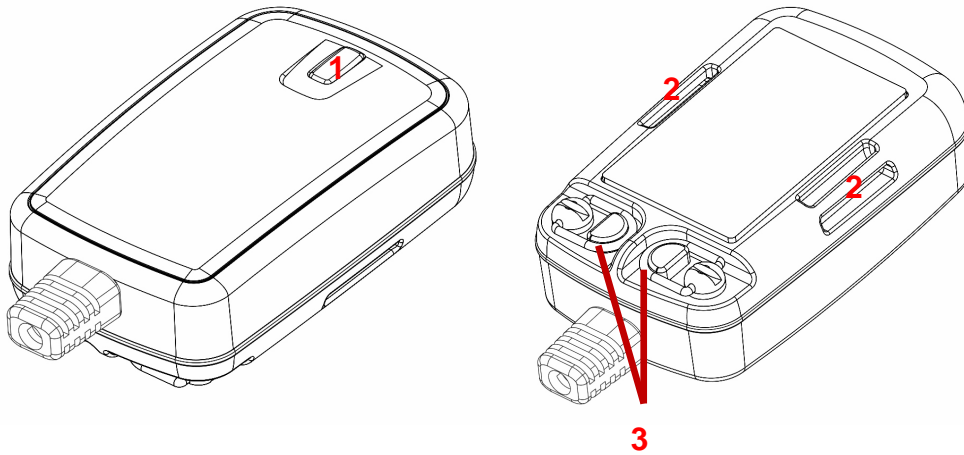
1.2 Features

- New generation GPS module.
- Compact and Waterproof IP67 design
- Built-in high sensitivity GPS/GSM antennas.
- Quad-Band GSM System
- Built-in motion sensor
- AGPS support
- Support communication protocols- SMS/TCP/UDP.
- Multiple I/Os support: 1 Digital Input for custom function, 1 Digital input for optional Emergency button, 1 Analog Input for fuel sensor, 1 Digital Output for Relay, 1 Digital Input for ACC detection.
- Configuration and Firmware update via Over-The-Air
- Alert functions including Power low/ Over speed/ Movement alarms
- Tracking by preferred interval, scheduling and Geo-fence
- With magnet (GTR-128) or double side tape (GTR-129) for easy installation
- Multiple power solution

1.3 Hardware specification

| Item | Description | | |
|------------------------|--|-------------------|---|
| Model | GTR-128 | GTR-129 | |
| Back-up Battery | No back-up battery, but magnetic mount instead | Li-Polymer 320mAh | |
| Unit Weight | 77g | 78.5g | |
| Temperature | Operation | -30°C ~ + 70°C | -30°C ~ + 60°C (0°C ~ + 45°C for charging) |
| | Storage | -40°C ~ + 70°C | -40°C ~ + 60°C |
| Dimension | 61 mm X 38 mm X 19 mm | | |
| GPS receiver | high performance GPS chipset | | |
| Communication | Quad-Band GSM (850/900/1800/1900 MHz) | | |
| GPS Antenna | Built-in patch ceramics antenna | | |
| GSM Antenna | Built-in Pi-Fa antenna | | |
| Protocol | SMS/GPRS (TCP/UDP) | | |
| Power | +9~36 V | | |
| Built-in Memory | 32 Mb | | |
| Emergency Input | Negative trigger x 1 | | |
| Ignition (ACC) Input | Positive trigger x 1 | | |
| Digital Input Port | Negative trigger x 1 | | |
| Digital Output Port | Negative trigger x 1 (300 mA) | | |
| Fuel sensor Input Port | Analog Input x 1(0~28V), 12 bits resolution | | |
| Sensor | Motion sensor | | |
| Humidity | 5% to 95% Non-Condensing | | |

1.4 Appearance



| | |
|----------|---|
| 1 | LED |
| 2 | For fixing device with Velcro tape |
| 3 | Hook for screw/ unscrew back cover |

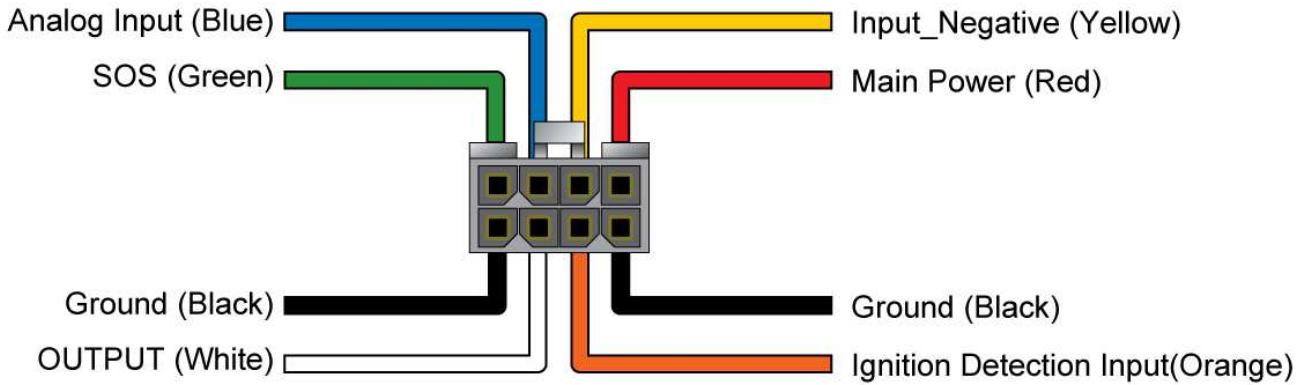
1.5 LED indicator

Normal mode:

| LED status | Description |
|---------------------|---|
| Red blinking | Device is being boot and SIM card not ready |
| Red solid | SIM card ready, but GSM not registered |
| Yellow solid | GSM registered, but GPRS not connected |
| Green solid | GSM registered, and GPRS connected |

Hiding mode: Device would blink red light while it is booting up. After completing the boot, the LED would go off.

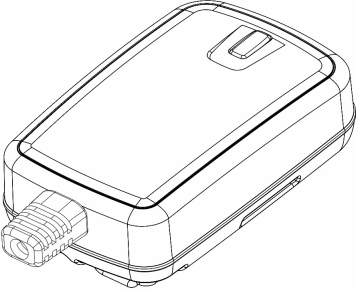
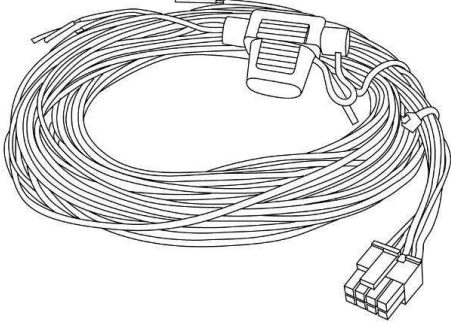

1.6 Cable description



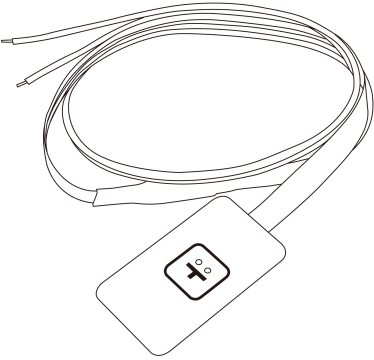
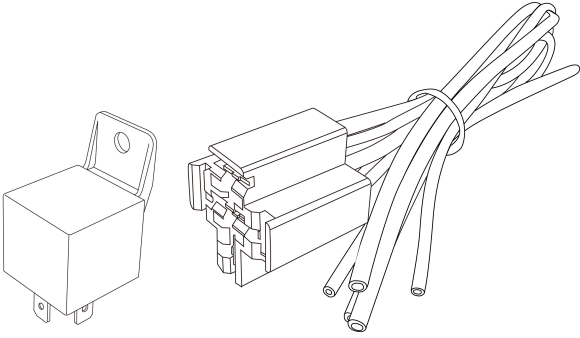
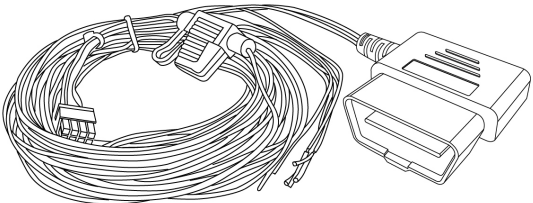
| Wire Color | Description |
|------------|---|
| Green | SOS (Negative Trigger) |
| Blue | Fuel sensor input (Analog Input, 0~28 V, 12 bits resolution) |
| Yellow | Digital Input (Negative Trigger) |
| Red | Main Power, 9~36 V |
| Black | Ground |
| White | Digital Output (Negative Trigger), 300 mA |
| Orange | Ignition Detection Input (Positive Trigger) |
| Black | Ground |

1.7 Accessories

1.7.1 Standard Items

| | |
|---|---|
|  <p>Main Unit</p> |  <p>Hardwire cable</p> |
|  <p>Velcro Tape</p> | |

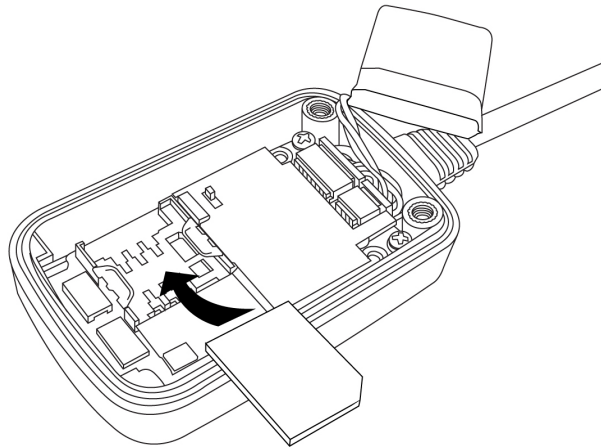
1.7.2 Optional Items

| | |
|---|--|
|  <p>External Emergency Button</p> |  <p>12V/24V Relay</p> |
|  <p>OBDII Power Cable</p> | |

2 Operation

For first time users, please follow the steps below to complete the pre-installation.

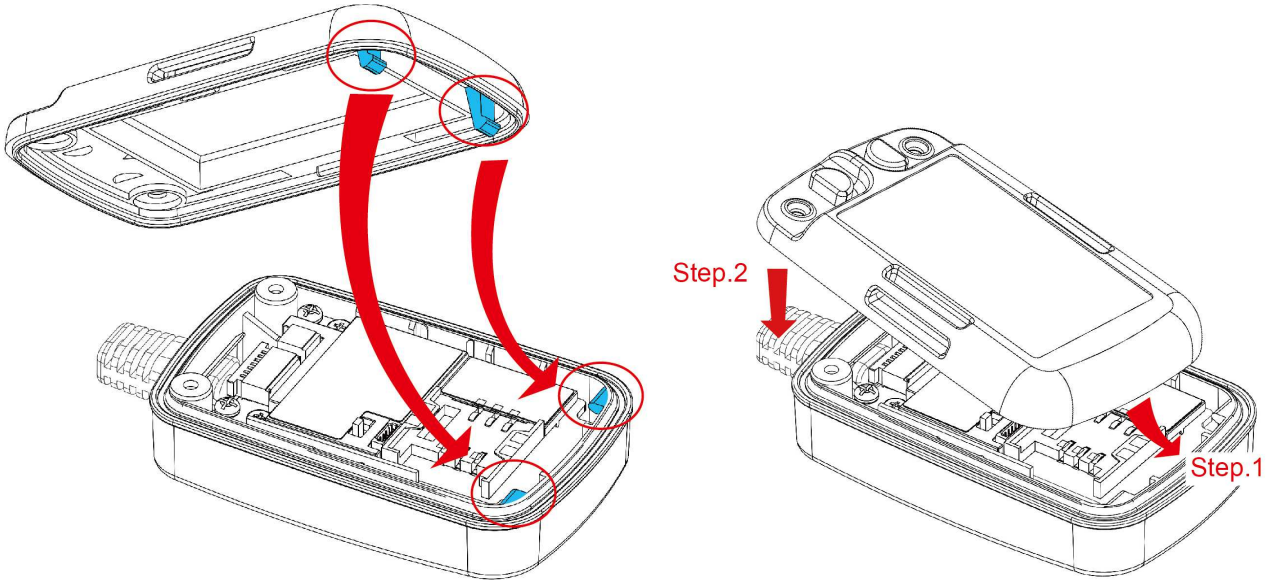
2.1 Install the SIM card



Unscrew the cover of device. Insert SIM card with the copper contacts face-down and the notch on the SIM card at the right side of the SIM slot.

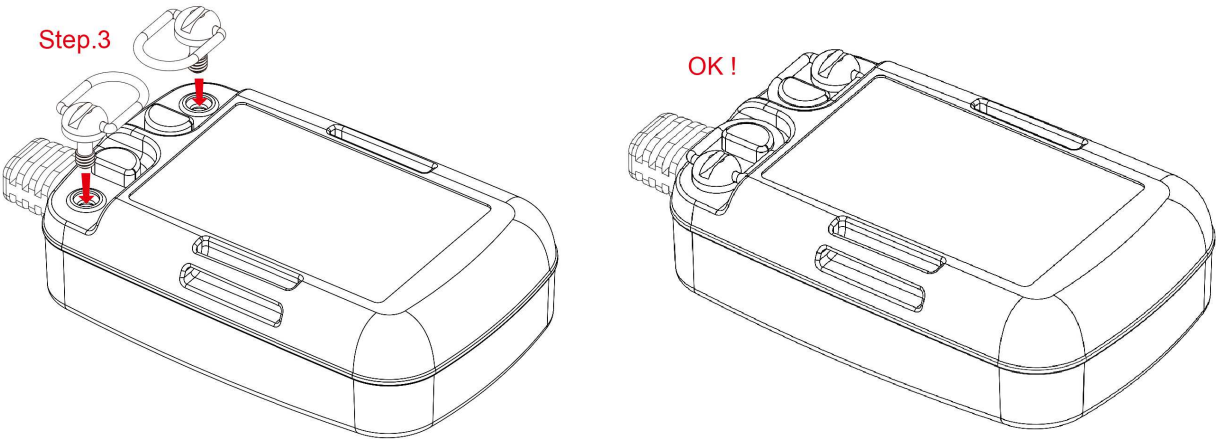
Note: Make sure to disable the SIM PIN entry function on the SIM card before inserting your SIM card

After installing the SIM card, please follow the steps below to install the cover back.



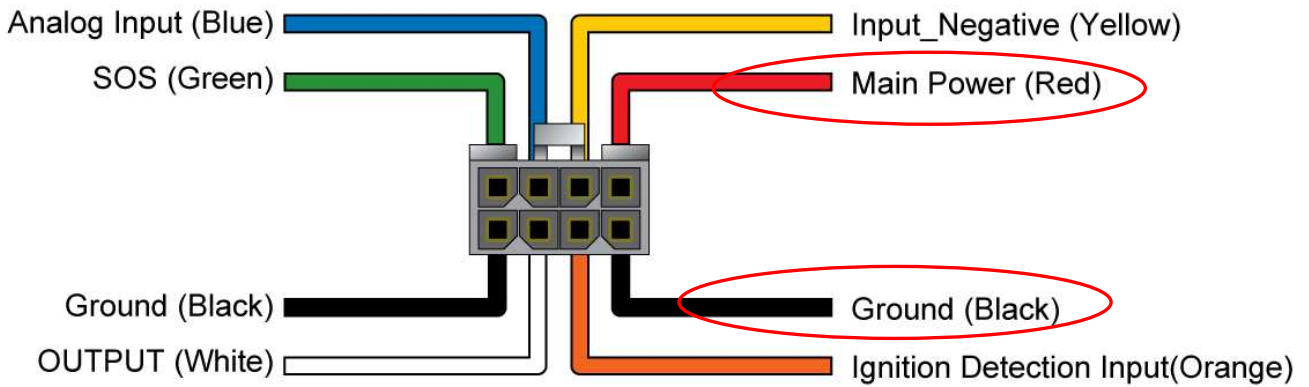
Step 1: Please align the latches of the back cover to the indentation of the device.

Step 2: Please push down the back cover to the device.



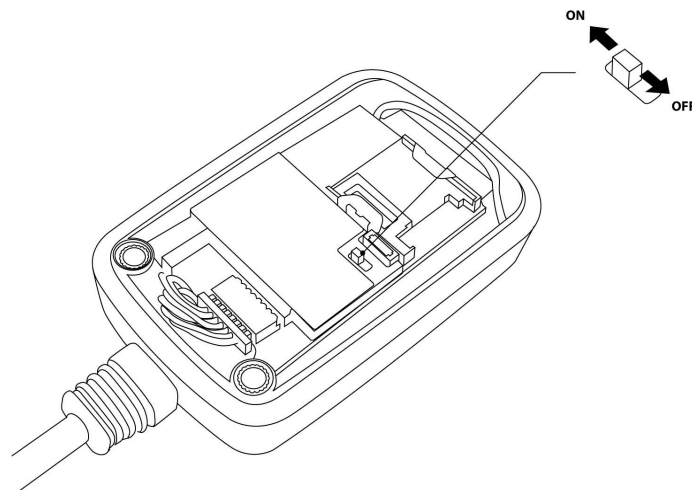
Step 3: Please screw the back cover.

2.2 Connect the Main Power



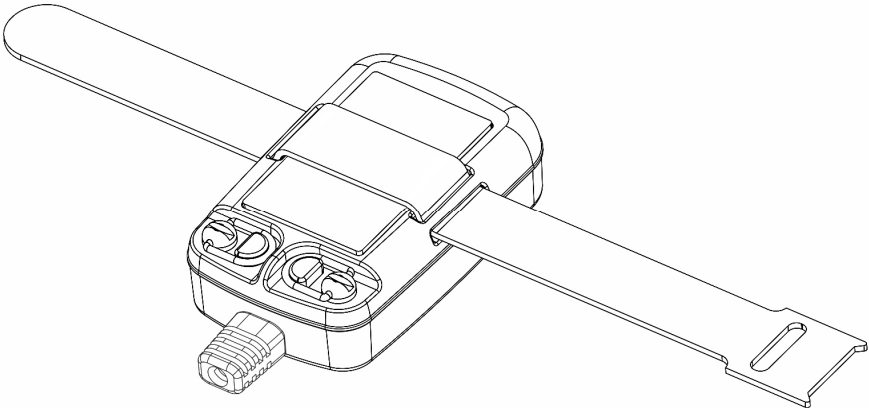
Connect the red wire from the cable to a power source of 9~36 V. Connect the black wire to ground.

2.3 Switch on/off Tracker

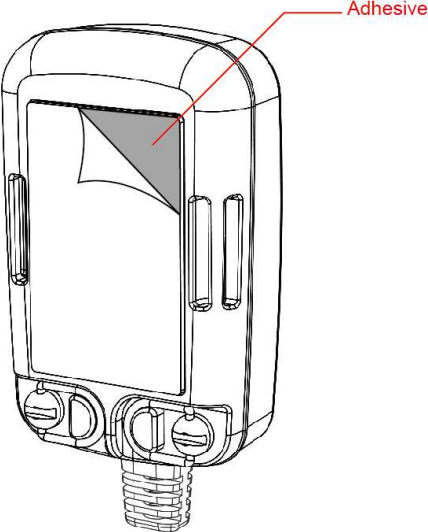


After connecting the power, please open the back cover and adjust the power switch to ON position.

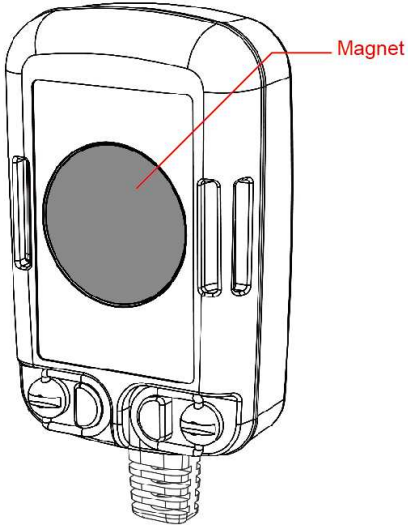
2.4 Fix the device



You could fix the GTR-128/GTR-129 with the Velcro tape as the picture above.



You could tear down the cover of double side tape and stick GTR-129 to the installation position.

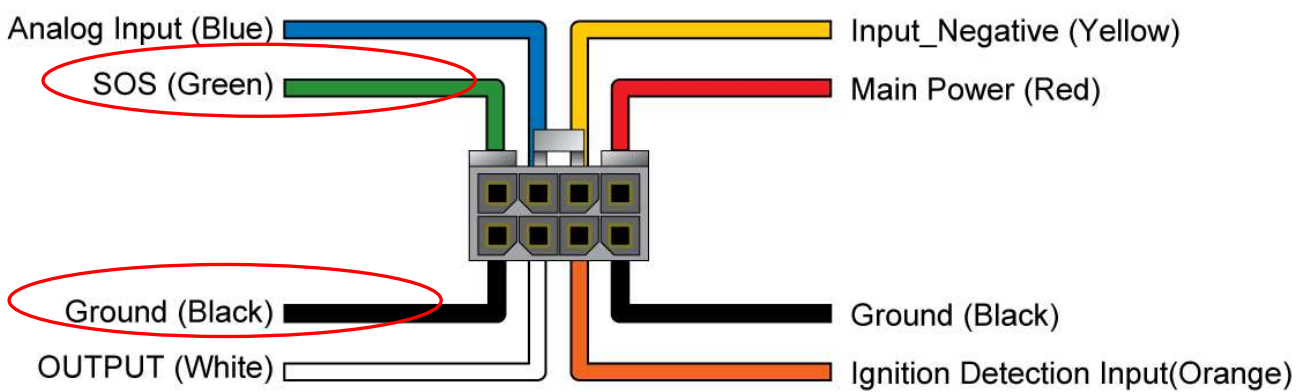


You could install the GTR-128 to a metal surface. The magnet on the device would attract the metal surface.

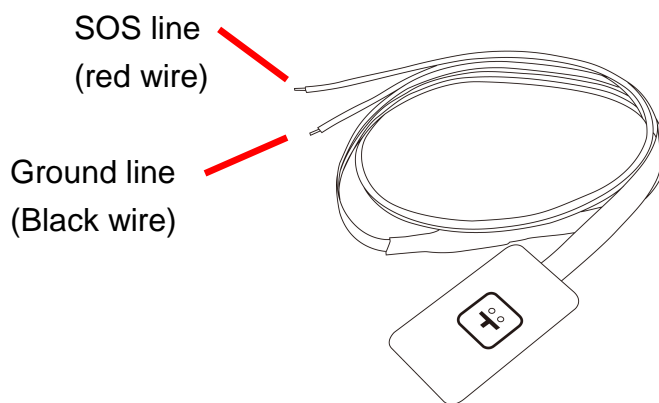
3 Installation

3.1 Installing the Emergency button

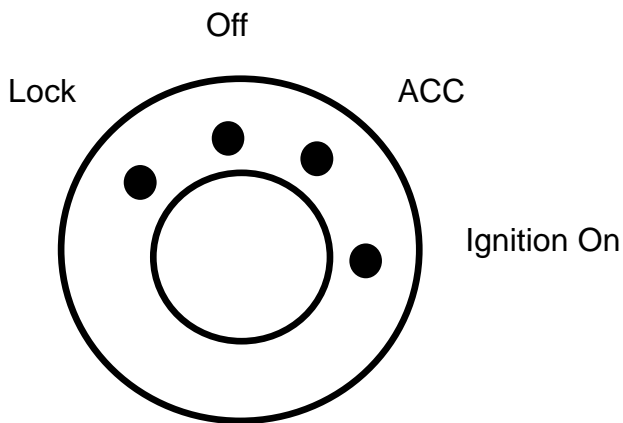
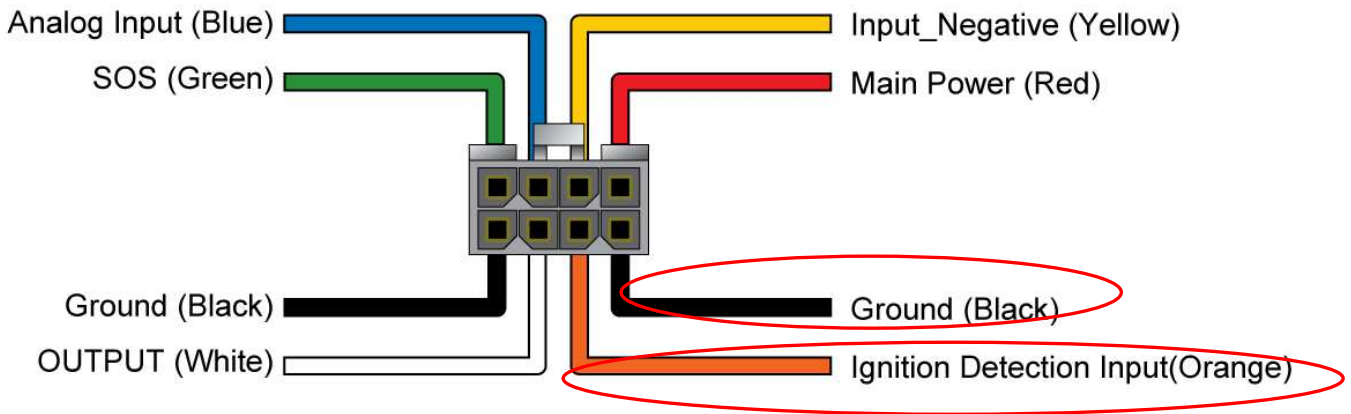
There is a line of cable for connecting a push button for emergency help.



One end of the button must be connected to the SOS line and the other end must be connected to the ground line.

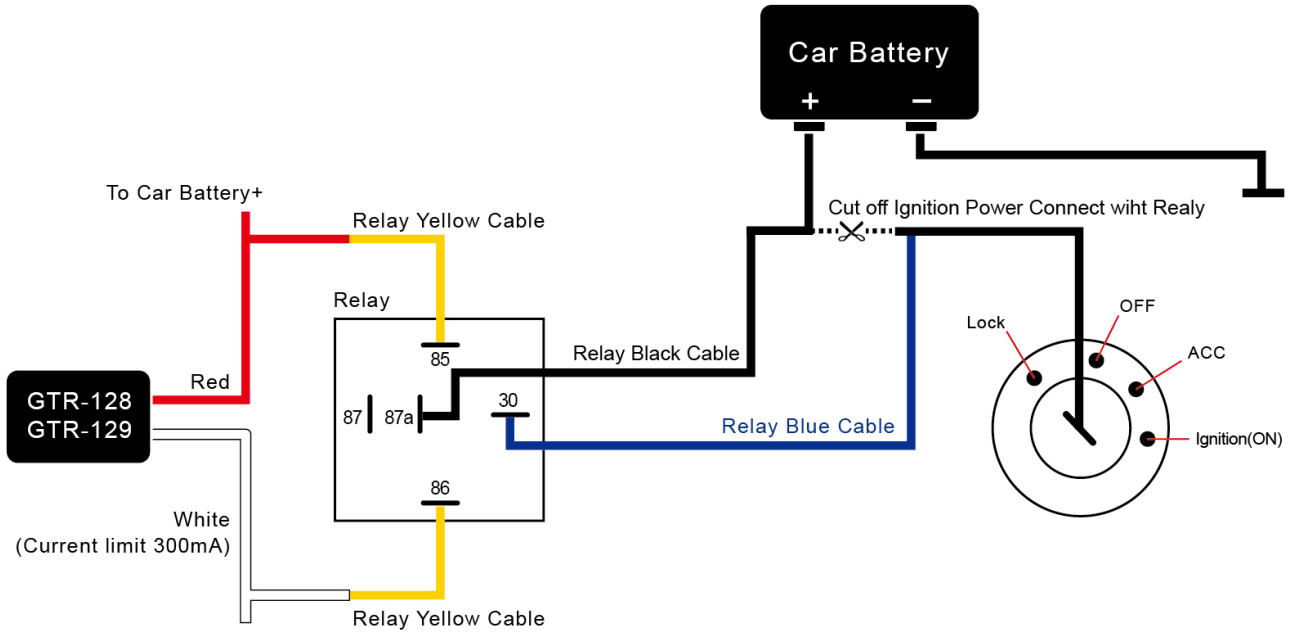


3.2 Connecting ignition detection line on car



Connect the orange wire from the cable to ACC position of vehicle. Connect the black wire to ground.

3.3 Connecting Relay



Connect the white wire from GTR-128/GTR-129's cable to the yellow wire of relay. For the other connections, please refer to the diagram above.

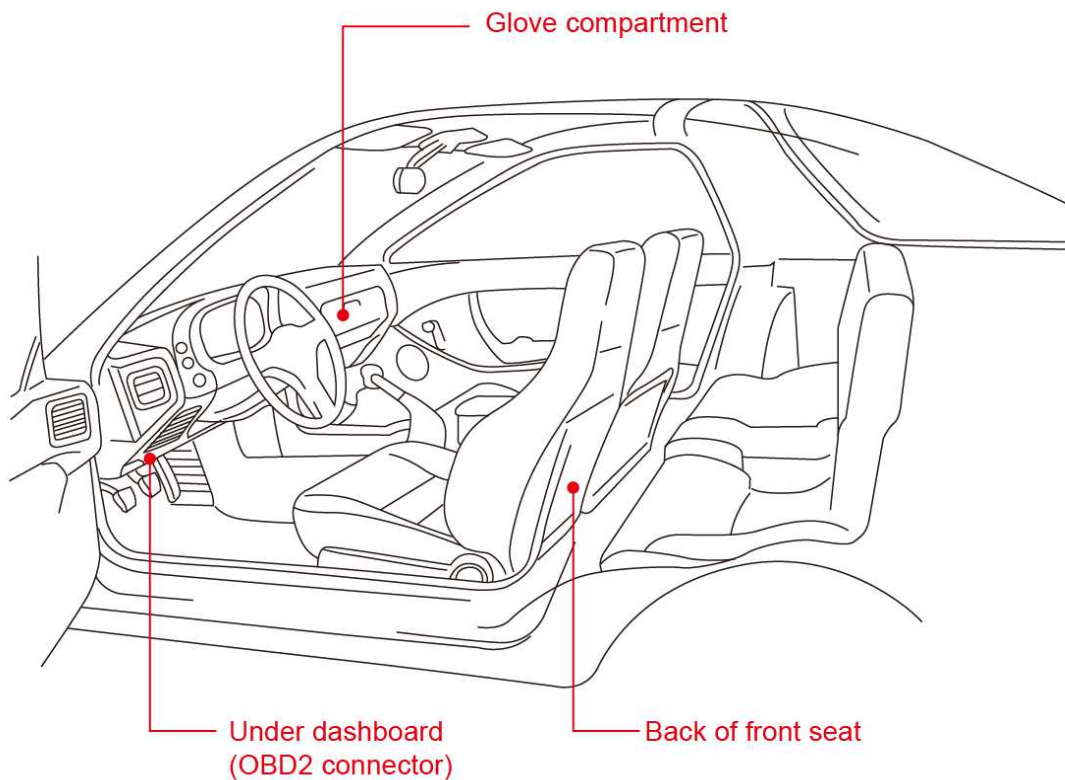
3.4 Installation reminder

WARNING:

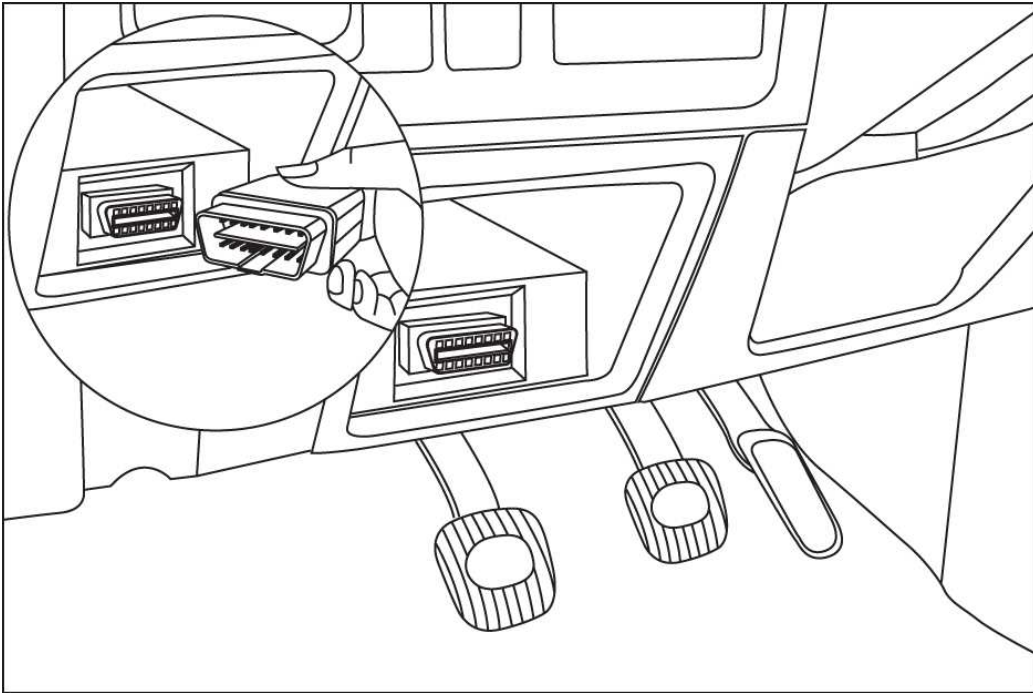
In a confined space of the car, there is a big different temperature between inside and outside of the car. In addition, it is also considerable temperature difference between tracker's interior and exterior. Therefore, if you put a tracker in the car, please make sure to place it with good ventilation.

For Vehicle:

GTR-128/GTR-129 could be placed or installed on the marked position as the pictures below.

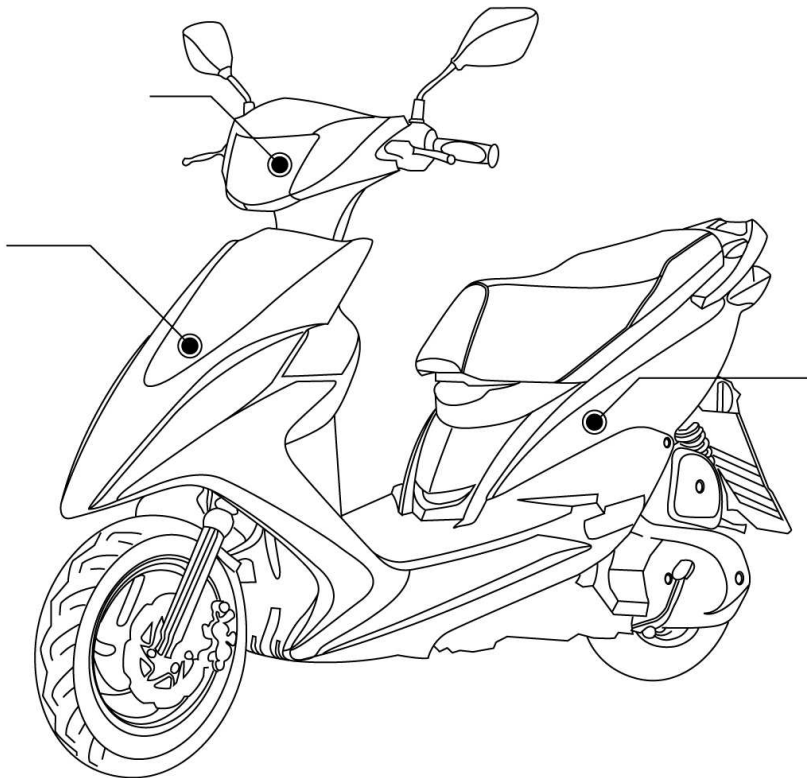


If you'd like to install GTR-128/GTR-129 at the OBDII connector of vehicles, please connect GTR-128/GTR-129 with the OBDII power cable firstly, then you could connect the OBDII power cable to the OBDII connector of vehicle as the picture below.



For Motorcycle

- For motorcycle rider, GTR-128/GTR-129 could be installed at the marked position as the picture as below.



Federal Communication Commission Interference Statement

This equipment has been tested and found to comply with the limits for a Class B digital device, pursuant to Part 15 of the FCC Rules. These limits are designed to provide reasonable protection against harmful interference in a residential installation. This equipment generates, uses and can radiate radio frequency energy and, if not installed and used in accordance with the instructions, may cause harmful interference to radio communications. However, there is no guarantee that interference will not occur in a particular installation. If this equipment does cause harmful interference to radio or television reception, which can be determined by turning the equipment off and on, the user is encouraged to try to correct the interference by one of the following measures:

- Reorient or relocate the receiving antenna.
- Increase the separation between the equipment and receiver.
- Connect the equipment into an outlet on a circuit different from that to which the receiver is connected.
- Consult the dealer or an experienced radio/TV technician for help.

FCC Caution: Any changes or modifications not expressly approved by the party responsible for compliance could void the user's authority to operate this equipment.

IMPORTANT NOTE:

Radiation Exposure Statement:

This equipment complies with FCC radiation exposure limits set forth for an uncontrolled environment. This equipment should be installed and operated with minimum distance 20cm between the radiator & your body.

This transmitter must not be co-located or operating in conjunction with any other antenna or transmitter.

This device complies with Part 15 of the FCC Rules. Operation is subject to the condition that this device does not cause harmful interference.

Europe – EU Declaration of Conformity

This device complies with the essential requirements of the R&TTE Directive 1999/5/EC. The following test methods have been applied in order to prove presumption of conformity with the essential requirements of the R&TTE Directive 1999/5/EC:

- EN 60950-1: 2006
Safety of Information Technology Equipment

- EN 300 440-1 V1.6.1: 2010
Electromagnetic compatibility and Radio spectrum Matters (ERM); Short range devices; Radio equipment to be used in the 1 GHz to 40 GHz frequency range; Part1: Technical characteristics and test methods


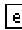







- EN 301 511 V9.0.2: 2003
Global System for Mobile communications (GSM); Harmonized standard for mobile stations in the GSM 900 and DCS 1800 bands covering essential requirements under article 3.2 of the R&TTE directive (1999/5/EC)

EN 301 489-7 V1.3.1: 2005
ElectroMagnetic compatibility and Radio spectrum Matters (ERM);
ElectroMagnetic Compatibility (EMC) standard for radio equipment and services; Part 7: Specific conditions for mobile and portable radio and ancillary equipment of digital cellular radio telecommunications systems (GSM and DCS)

EN 301 489-3 V1.4.1 2002
Electromagnetic compatibility and Radio Spectrum Matters (ERM);
ElectroMagnetic Compatibility (EMC) standard for radio equipment and services; Part 3: Specific conditions for Short-Range Devices (SRD) operating on frequencies between 9 kHz and 40 GHz

EN 301 489-1 V1.9.2: 2011
Electromagnetic compatibility and Radio Spectrum Matters (ERM);
ElectroMagnetic Compatibility (EMC) standard for radio equipment and services; Part 1: Common technical requirements

CE 0560

| | |
|---|--|
|  Český [Czech] | [<i>Jméno výrobce</i>] tímto prohlašuje, že tento [<i>typ zařízení</i>] je ve shodě se základními požadavky a dalšími příslušnými ustanoveními směrnice 1999/5/ES. |
|  Dansk [Danish] | Undertegnede [<i>fabrikantens navn</i>] erklærer herved, at følgende udstyr [<i>udstyrets typebetegnelse</i>] overholder de væsentlige krav og øvrige relevante krav i direktiv 1999/5/EF. |
|  Deutsch [German] | Hiermit erkläre [<i>Name des Herstellers</i>], dass sich das Gerät [<i>Gerätetyp</i>] in Übereinstimmung mit den grundlegenden Anforderungen und den übrigen einschlägigen Bestimmungen der Richtlinie 1999/5/EG befindet. |
|  Eesti [Estonian] | Käesolevaga kinnitab [<i>tootja nimi = name of manufacturer</i>] seadme [<i>seadme tüüp = type of equipment</i>] vastavust direktiivi 1999/5/EÜ põhinõuetele ja nimetatud direktiivist tulenevatele teistele asjakohastele sätetele. |
|  English | Hereby, [<i>name of manufacturer</i>], declares that this [<i>type of equipment</i>] is in compliance with the essential requirements and other relevant provisions of Directive 1999/5/EC. |
|  Español [Spanish] | Por medio de la presente [<i>nombre del fabricante</i>] declara que el [<i>clase de equipo</i>] cumple con los requisitos esenciales y cualesquiera otras disposiciones aplicables o exigibles de la Directiva 1999/5/CE. |
|  Ελληνική [Greek] | ΜΕ ΤΗΝ ΠΑΡΟΥΣΑ [<i>name of manufacturer</i>] ΔΗΛΩΝΕΙ ΟΤΙ [<i>type of equipment</i>] ΣΥΜΜΟΡΦΩΝΕΤΑΙ ΠΡΟΣ ΤΙΣ ΟΥΣΙΩΔΕΙΣ ΑΠΑΙΤΗΣΕΙΣ ΚΑΙ ΤΙΣ ΛΟΙΠΕΣ ΣΧΕΤΙΚΕΣ ΔΙΑΤΑΞΕΙΣ ΤΗΣ ΟΔΗΓΙΑΣ 1999/5/ΕΚ. |
|  Français [French] | Par la présente [<i>nom du fabricant</i>] déclare que l'appareil [<i>type d'appareil</i>] est conforme aux exigences essentielles et aux autres dispositions pertinentes de la directive 1999/5/CE. |
|  Italiano [Italian] | Con la presente [<i>nome del costruttore</i>] dichiara che questo [<i>tipo di apparecchio</i>] è conforme ai requisiti essenziali ed alle altre disposizioni pertinenti stabilite dalla direttiva 1999/5/CE. |
| Latviski [Latvian] | Ar šo [<i>name of manufacturer / izgatavotāja nosaukums</i>] deklarē, ka [<i>type of equipment / iekārtas tips</i>] atbilst Direktīvas 1999/5/EK būtiskajām prasībām un citiem ar to saistītajiem noteikumiem. |
| Lietuvių [Lithuanian] | Šiuo [<i>manufacturer name</i>] deklaruoja, kad šis [<i>equipment type</i>] atitinka esminius reikalavimus ir kitas 1999/5/EB Direktyvos nuostatas. |
|  Nederlands [Dutch] | Hierbij verklaart [<i>naam van de fabrikant</i>] dat het toestel [<i>type van toestel</i>] in overeenstemming is met de essentiële eisen en de andere relevante bepalingen van richtlijn 1999/5/EG. |
|  Malti [Maltese] | Hawnhekk, [<i>isem tal-manifattur</i>], jiddikjara li dan [<i>il-mudel tal-prodott</i>] jikkonforma mal-ħtiġijiet essenzjali u ma provvedimenti oħrajn relevanti li hemm fid-Direttiva 1999/5/EC. |

| | |
|-----------------------------------|--|
| [hu]Magyar [Hungarian] | Alulírott, [gyártó neve] nyilatkozom, hogy a [... típus] megfelel a vonatkozó alapvető követelményeknek és az 1999/5/EC irányelv egyéb előírásainak. |
| [pl]Polski [Polish] | Niniejszym [nazwa producenta] oświadczam, że [nazwa wyrobu] jest zgodny z zasadniczymi wymogami oraz pozostałymi stosownymi postanowieniami Dyrektywy 1999/5/EC. |
| [pt]Português [Portuguese] | [Nome do fabricante] declara que este [tipo de equipamento] está conforme com os requisitos essenciais e outras disposições da Directiva 1999/5/CE. |
| [sl]Slovensko [Slovenian] | [Ime proizvajalca] izjavlja, da je ta [tip opreme] v skladu z bistvenimi zahtevami in ostalimi relevantnimi določili direktive 1999/5/ES. |
| Slovensky [Slovak] | [Meno výrobcu] týmto vyhlasuje, že [typ zariadenia] spĺňa základné požiadavky a všetky príslušné ustanovenia Smernice 1999/5/ES. |
| [fi]Suomi [Finnish] | [Valmistaja = manufacturer] vakuuttaa täten että [type of equipment = laitteen tyyppimerkintä] tyyppinen laite on direktiivin 1999/5/EY oleellisten vaatimusten ja sitä koskevien direktiivin muiden ehtojen mukainen. |
| [sv]Svenska [Swedish] | Härmed intygar [företag] att denna [utrustningstyp] står i överensstämmelse med de väsentliga egenskapskrav och övriga relevanta bestämmelser som framgår av direktiv 1999/5/EG. |