

# GLYNN-JOHNSON®

## MULTI-SERIES CATALOG

|                                 |           |
|---------------------------------|-----------|
| <i>Door Holders/Stops</i> _____ | <b>2</b>  |
| <i>Push/Pull Latches</i> _____  | <b>34</b> |

**GLYNN-JOHNSON**

Overhead Door Holders/Stops



# Quality hardware for superior door control

---



Glynn-Johnson has been providing the highest quality door control hardware for 75 years. Known in the industry as “the overhead door holder specialists,” Glynn-Johnson uses only state-of-the-art technology and manufacturing processes. Glynn-Johnson also manufactures a full line of push/pull latches. These products were designed to meet the requirements of hardware specifiers, delivering consistent quality and exceptional performance. And they are offered in a variety of finishes and configurations, to meet the most demanding door control applications. For specific product information, or to find out more about the company, call Glynn-Johnson customer service at 1-877-613-8766.

## Index

|                       |       |
|-----------------------|-------|
| General Information   | 4     |
| Installations Methods | 5     |
| 70 & 79 Series        | 6–9   |
| 81 Series             | 10–13 |
| 90 Series             | 14–17 |
| 100 Series            | 18–21 |
| 410 Series            | 22–25 |
| 450 Series            | 26–29 |
| 280 Sensaguard        | 30–31 |

## Finishes

| Glynn-Johnson Finish No. | Description                   |
|--------------------------|-------------------------------|
| US3                      | Polished Brass                |
| US4                      | Satin Brass                   |
| US10                     | Satin Bronze                  |
| US10B                    | Oil Rubbed Bronze             |
| US26                     | Polished Chrome               |
| US26D                    | Satin Chrome                  |
| US28                     | Clear Anodized Aluminum       |
| US32                     | Polished Stainless Steel      |
| US32D                    | Satin Stainless Steel         |
| 313AN                    | Dark Bronze Anodized Aluminum |
| 652                      | Chrome-like Coating on Steel  |
| SP4                      | Powder Coat Brass             |
| SP10                     | Powder Coat Bronze            |
| SP28                     | Powder Coat Aluminum          |
| SP313                    | Powder Coat Dark Bronze       |
| SPBLK                    | Powder Coat Black             |

# Overhead Door Holders/Stops

## Overhead Door Controls

The best door control device is one that operates overhead, with an arm functioning from the jamb to the top of the door. When the door stopping or hold-open does not exceed 110°, this device is by far the most efficient.

The overhead holder and stop is **out of the way**, in contrast with floor or wall-mounted stops, which can be a stumbling hazard and are vulnerable to damage by accident and vandalism.

Glynn-Johnson overhead holders and stops should **always** be used on doors furnished with door closers, as closers are **not** door stops and should not be expected to perform that function. Glynn-Johnson overhead stops are designed to **protect** door closers from violent openings.

## Selecting Degree of Hold-Open or Stop

Glynn-Johnson overhead holders are designed to function effectively from 85° to 110°. When conditions permit, we recommend the minimum degree of hold-open be set at 95° to put the door knob, pull and panic hardware beyond the flow of traffic.

When selecting the degree of Hold-Open for doors opening back-to-back, or against a wall, please note all Glynn-Johnson overhead holders have shock absorbers which ‘give’ approximately 5° – 7° beyond the hold-open or initial stop point.

The concept of dead stop templating means that the degree of opening be set 5°–7° less than the point of required dead stop to accommodate the compression of the shock absorber.

## Door and Frame Reinforcement

Glynn-Johnson overhead holders and stops are fabricated from top quality brass, steel and stainless steel materials, and are designed to function even under constant heavy-duty abuse. Therefore, it is essential that all doors and frames be adequately reinforced to provide proper anchorage for the overhead stop.

For metal doors and frames, we recommend reinforcement be a minimum of 3/16" thick, 1-1/2" wide and 12" long to effectively distribute the load.

For wood doors and frames, we stress the importance of making them strong enough to provide proper anchorage for the door holders.

For reinforcement details, refer to individual templates for each overhead stop.

## Definition of “Door Opening”

Glynn-Johnson defines the terms “door opening” as the actual width of the door opening, from jamb to jamb, not just the width of the door. Refer to the chart below, for example, and you will find that a 45" opening would require a size 5 holder if the door is hung on butts or offset pivots.

You will note also that, regardless of the style or series of holders, Glynn-Johnson has standardized the size of holders and stops for all openings, combining the size in the model number. The third digit in all models designates the size. If any further information is required on sizing a holder or stop, contact Glynn-Johnson or your local representative for assistance.

## Butts/Offset Pivots<sup>1</sup>

| Size | Concealed Series |                  |                | Surface Series |                  |     |     |     |
|------|------------------|------------------|----------------|----------------|------------------|-----|-----|-----|
|      | 100              | 410              | Door Opening   | 70             | 79               | 81  | 90  | 450 |
| 1    | 101 <sup>2</sup> | 411 <sup>2</sup> | 18" – 23"      | –              | –                | –   | –   | 451 |
| 2    | 102 <sup>2</sup> | 412 <sup>2</sup> | 23-1/16" – 27" | 702            | 792              | –   | 902 | 452 |
| 3    | 103              | 413              | 27-1/16" – 33" | 703            | 793              | 813 | 903 | 453 |
| 4    | 104              | 414              | 33-1/16" – 39" | 704            | 794              | 814 | 904 | 454 |
| 5    | 105              | 415              | 39-1/16" – 45" | 705            | 795              | 815 | 905 | 455 |
| 6    | 106              | –                | 45-1/16" – 54" | 706            | 796 <sup>3</sup> | 816 | 906 | –   |

<sup>1</sup> Refer to individual catalog pages for further details and for information on center hung applications.

<sup>2</sup> These sizes not available for use with offset pivots.

<sup>3</sup> 796 unit may be templated for use on doors wider than 54". Contact factory with specific information on door frame construction.

## Installation Methods

### Door Mounting Hardware

Mounting templates for all series holders show various types of hinging methods as well as various degrees of opening. To accommodate the overhead stop to the various mounting methods requires a simple shifting of dimensions A and B. To be assured that reinforcement and mortising are in the proper location, be sure to secure the proper templates from your Glynn-Johnson dealer. These templates include all necessary information for reinforcing door and frame, complete installation instructions for the various mounting methods and the degree of opening required.

### Concealed

Concealed overhead door holder installation requires that the jamb bracket be mortised flush with the bottom of the jamb. The arm and channel must be mortised into the door so the arm is flush with top of the door. A cutout made for the arm on the stop side of single acting doors as in the sketch. Double acting doors require a cutout for the arm on both sides of the door as shown in the sketch. Hollow metal doors must be reinforced at the top of the door to provide necessary strength for the channel. Hollow metal frames must be reinforced in the jamb to provide strength for the jamb bracket. Strength of wood frame and door must be adequate for the holder specified. Accurate template drawings for each holder give complete reinforcement and mortising specifications. They are readily available from your Glynn-Johnson representative.

### Surface Type

Surface mounted overhead door holder installation does not require mortising of jamb or door. The jamb bracket is surface mounted on the stop of the frame. The channel is also surface mounted on the face of the door. Hollow metal doors and jambs must be reinforced to provide necessary strength for the holder specified. Strength of wood doors and jambs must also be adequate for the holder. A typical surface mounted installation is shown in Figure 1 where jamb bracket is fastened to the stop. Angle jamb brackets are available for hinge side mounting (Figure 2) and for use with rabbeted doors or flush transom installations (Figure 3). Jamb brackets with special shims for use on jambs with blade stops are also available (Figure 4). Advise stop height and the appropriate shim kit will be provided.

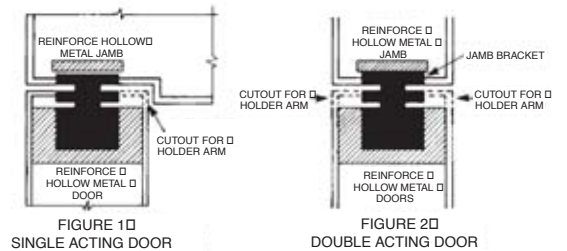
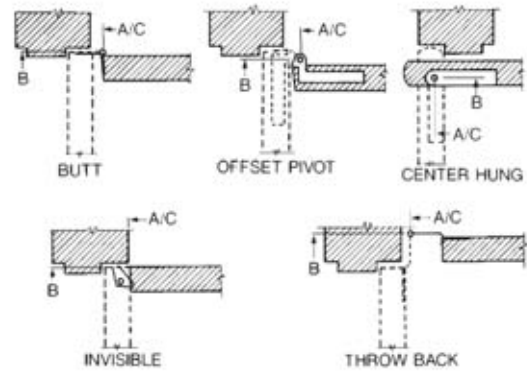


FIGURE 1  
SINGLE ACTING DOOR

FIGURE 2  
DOUBLE ACTING DOOR

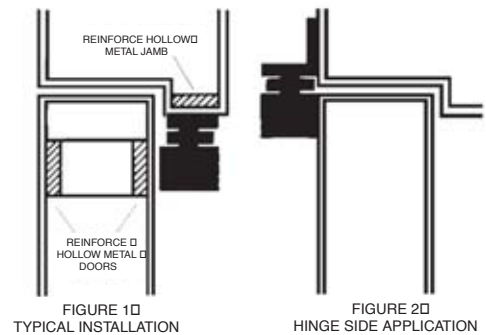


FIGURE 1  
TYPICAL INSTALLATION

FIGURE 2  
HINGE SIDE APPLICATION

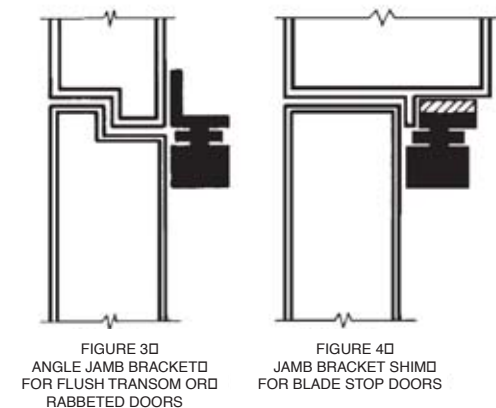


FIGURE 3  
ANGLE JAMB BRACKET  
FOR FLUSH TRANSOM OR  
RABBETED DOORS

FIGURE 4  
JAMB BRACKET SHIM  
FOR BLADE STOP DOORS

# 70 & 79 Surface Overhead Door Holders/Stops



## 70 Series Heavy-Duty 79 Series Extra Heavy-Duty

Glynn-Johnson offers a complete line of overhead holders and stops, providing solutions for the most complex door control problems. Glynn-Johnson 70 series and 79 series surface-mounted holders and stops are designed to meet the demands of high-traffic industrial applications. These units are simple to install.

Compatible with a variety of door closers, these models come with templates to allow for variable mounting positions, ranging from 85° to 110° Hold-Open/Stop angle. These templates are designed for installation in almost all types of doors, including doors with conventional butt-type hinges or specialty hinges.

### Four Models:

- 70H Series Hold-Open Model – Heavy-Duty
- 70S Series Stop-Only Model – Heavy-Duty
- 79H Series Hold-Open Model – Extra Heavy-Duty
- 79S Series Stop-Only Model – Extra Heavy-Duty

### Five Sizes:

- Simple
- Standardized
- Each model is available in five sizes

### Three Options:

- J—Angle Jamb Bracket
- SB—Sex Bolt Mounting
- SOC—Pin-in-Socket Security Screws

### Unmatched Convenience:

- Non-Handed
- Single-Acting Doors
- Interior/Exterior Applications
- Durable
- Easy to Install
- Improved Corrosion Resistance
- Function Conversion Kits Available

### Materials and Finishes:

Glynn-Johnson 70 and 79 series models are constructed primarily of Brass and 300 series Stainless Steel substrates, with several components fabricated of Steel treated to resist corrosion. Models in the 70 series utilize a 1/2"-diameter stainless steel bar, while the 79 series uses a 3/4" stainless steel bar.

The bar is always provided in US32D. The spring, washer and nut are provided in a clear zinc finish. The door bracket, jamb bracket and hook (for Hold-Open units) are available in the following finishes: US3, US4, US10, US10B, US26, US26D, SP4, SP10, SP28, SP313 and SPBLK.

## Models

Glynn-Johnson 70 and 79 series holders and stops offer rugged durability and ease of installation. The surface-applied door and jamb brackets provide reliable door control, yet require minimal door and frame preparation.

Glynn-Johnson 70 series Hold-Open and Stop-Only models provide heavy-duty door protection. The 79 series models incorporate the basic characteristics of the 70 series, but can protect extremely heavy or large doors subject to violent use or abusive conditions (i.e., vault doors, cell doors, oversized plant entry doors).

### 70H and 79H Series Hold-Open Models

(Suffix H) Hold-Open models in both series provide a selective Hold-Open function with easy-to-adjust tension. A simple 90° rotation of the roller mechanism disables the Hold-Open function, allowing the unit to serve as a shock-absorbing stop. The Hold-Open function provides a convenient method of holding the door open at a predetermined position for short or long periods of time, permitting an unobstructed traffic flow through the opening.

Both series provide a durable Hold-Open mechanism that can be turned off, allowing the unit to function as a shock-absorbing stop. The Hold-Open tension is simply adjusted incrementally for increased or decreased holding power by turning the nut at the end of the bar. While both series are designed for demanding applications, the 79 Series is recommended for extremely heavy or wide doors subject to violent or abusive conditions.

### 70S and 79S Series Stop-Only Models

(Suffix S) When the Hold-Open function is not a requirement, Stop-Only models provide a reliable method of door control. Stop-Only models provide the same shock-absorbing capability as Hold-Open models. The Stop-Only model may be used on fire doors.

## Application Information

### UL Classification

The 70 and 79 Series Stop-Only models are classified by Underwriters Laboratories (UL) as Miscellaneous Fire Door Accessories. This classification applies to use on either Hollow Metal Fire Doors or Wood Fire doors. These units may be used on doors of any rating. As a reminder, the Miscellaneous fire door Accessories (GVUX) Section is defined by UL as: "Miscellaneous fire door accessories are intended for installation with classified fire doors and/or listed fire door frame as identified in the individual listings. The accessories have been investigated to determine that when installed in accordance with the manufacturer's instructions, the accessories do not adversely affect the fire rating at the fire door and/or fire door frame."

### Dead-Stop Templating:

Dead-Stop Templating is recommended for applications where a wall or similar obstruction is placed at an opening angle of 110° or less (i.e., doors that open back-to-back). Dead-Stop Templating can be applied to Hold-Open and Stop-Only models. The Dead-Stop position is the point at which the shock-absorbing spring is fully compressed. Therefore, when Dead-Stop Templating is used, the initial degree of opening will be 5° to 7° less than the Dead-Stop opening.

*Example: If the holder is templated to a 100° dead stop, the door will hold open at an angle between 93° and 95° but no further than 100°.*

## Options

### Suffix J (Angle Jamb Bracket):

An angle jamb bracket is available to convert standard models to hinge-side or flush transom mounting. If ordered with unit add suffix J. If needed separately, order either 70J or 79J by finish needed.

### Suffix SB (Sex Bolt Mounting):

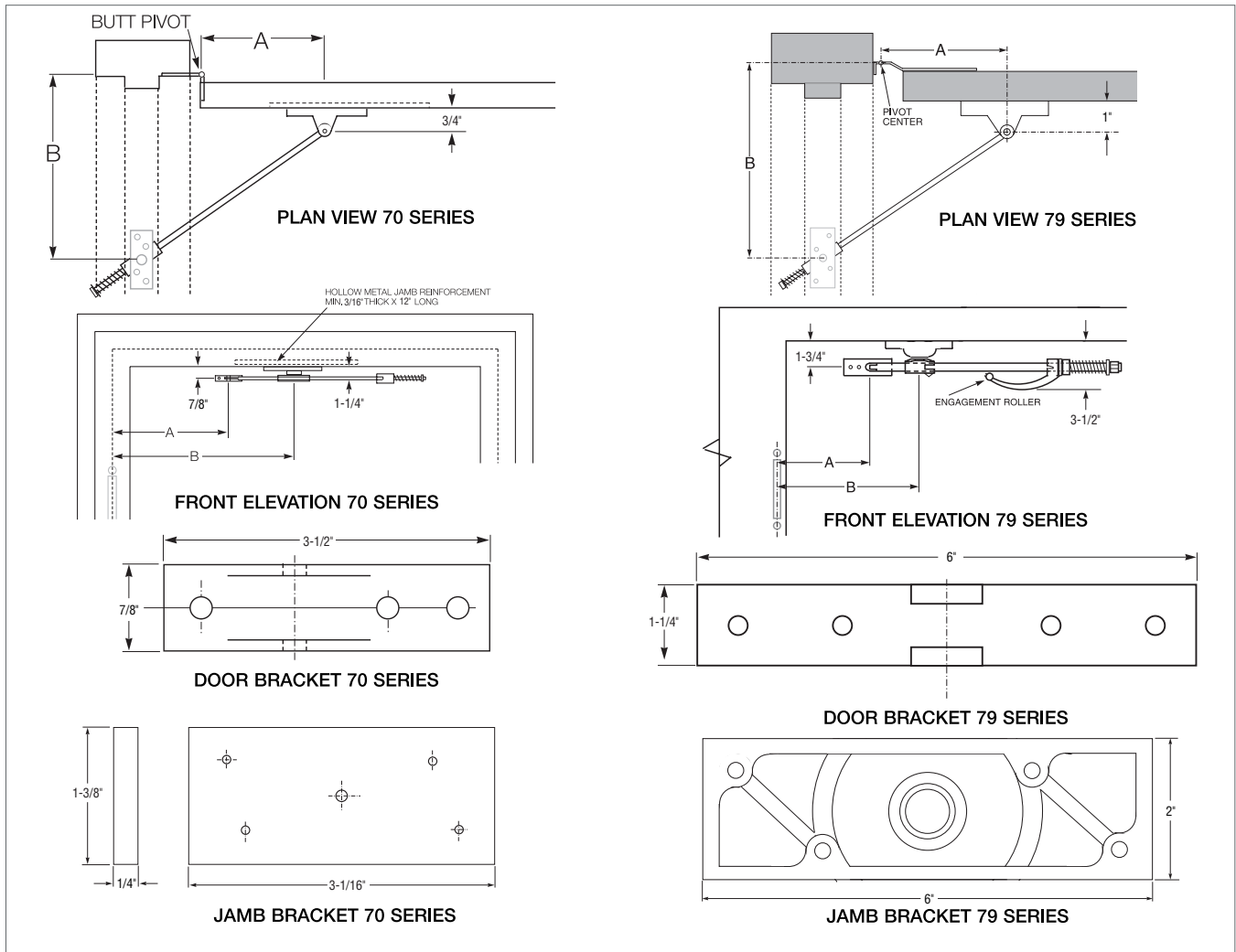
A package of 4 sex bolts provided with the 79 Series and a package of 2 sex bolts provided with the 70 Series.

### Suffix SOC (Pin-in-Socket Security Screw):

A screw package with pin-in-socket screw for mounting both the door bracket and jamb bracket is provided instead of the standard screw package.



# 70 & 79 Series Surface Overhead Holders/Stops



70 and 79 Series Sizing Chart

| SIZE | BUTTS/OFFSET PIVOTS |           |           | CENTER HUNG  |           |           |
|------|---------------------|-----------|-----------|--------------|-----------|-----------|
|      | DOOR OPENING        | STOP ONLY | HOLD OPEN | DOOR OPENING | STOP ONLY | HOLD OPEN |
| 1    | ----                | ----      | ----      | ----         | ----      | ----      |
| 2    | 23-1/16"-27"        | 702S/792S | 702H/792H | 27-1/16"-33" | 702S/792S | 702H/792H |
| 3    | 27-1/16"-33"        | 703S/793S | 703H/793H | 33-1/16"-39" | 703S/793S | 703H/793H |
| 4    | 33-1/16"-39"        | 704S/794S | 704H/794H | 39-1/16"-45" | 704S/794S | 704H/794H |
| 5    | 39-1/16"-45"        | 705S/795S | 705H/795H | 45-1/16"-51" | 705S/795S | 705H/795H |
| 6    | 45-1/16"-51"        | 706S/796S | 706H/796H | 51-1/16"-59" | 706S/796S | 706H/796H |

| BHMA/ANSI, A156.8 & FED. Spec. Cross Reference |        |            |
|--|--------|------------|
| G-J Model                                      | BHMA   | FED. Spec. |
| 702H - 706H                                    | C08511 | G-J 70     |
| 702S - 706S                                    | C08541 | G-J 70     |
| 792H - 796H                                    | C08511 | G-J 70     |
| 792S - 796H                                    | C08541 | G-J 70     |

Note: This chart illustrates the most common types of hinging and door opening sizes. For unusual door details, contact Glynn-Johnson for availability.

The template information on this page is for reference only and is not intended to serve as an installation template. For complete dimensional information, refer to Glynn-Johnson template book.



## How to Order

**70**      **4**      **S**    -    **US3**    -    **SB-1**

### Overhead Series:

- 70** Heavy-Duty
- 79** Extra Heavy-Duty

### Size (Door Opening Using Butts or Offset Pivots):

- 2** (23-1/16"-27")
- 3** (27-1/16"-33")
- 4** (33-1/16"-39")
- 5** (39-1/16"-45")
- 6** (45-1/16"-54")

### Function:

- H** Hold-Open
- S** Stop-Only

### Finishes:

- US3** Polished Brass
- US4** Satin Brass
- US10** Satin Bronze
- US10B** Oil Rubbed Bronze
- US26** Polished Chrome
- US26D** Satin Chrome
- SP4** Powder Coat Brass
- SP10** Powder Coat Bronze
- SP28** Powder Coat Aluminum
- SP313** Powder Coat Dark Bronze
- SPBLK** Powder Coat Black

### Options:

- J** Angle Jamb Bracket
- SB-1** Sex Bolts for Door Bracket, Doors up to 2"
- SB-2** Sex Bolts for Door Bracket, Doors from 2" to 3"
- SOC** Pin-in-Socket Security Screws

# 81 Surface Overhead Door Holders/Stops

---



## 81 Series Heavy-Duty

Glynn-Johnson offers the most complete line of overhead holders and stops, providing solutions for the most complex door control problems. These surface-mounted holders and stops offer the most effective shock-absorbing capacity, helping protect doors, frames and hardware.

Glynn-Johnson 81 series holders and stops provide rugged, heavy-duty door control. The jointed-arm design provides the most effective stop mechanism available. The shock absorber bracket is surface mounted, usually with six bolts. The jamb bracket is mounted to the stop of the frame, so a minimum of door and frame preparation is required.

### Two Models:

- 81H Series Hold-Open
- 81S Series Stop-Only

### Four Sizes:

- Simple
- Standardized
- Each model is available in four sizes

### Three Options:

- J—Angle Jamb Bracket
- SHIM—Blade Stop Shims
- SOC—Pin-in-Socket Security Screw Package

### Unmatched Convenience:

- Reversible
- Single-Acting Doors
- Interior/Exterior Applications
- Durable
- Easy to Install

### Materials and Finishes:

In Brass, Steel or 300 Stainless Steel, these models offer the broadest range of finishes in the industry, complementing any design. Stainless Steel models offer the highest resistance to corrosion. Available in the following finishes:

| <b>Finishes</b> | <b>Description</b>       |
|-----------------|--------------------------|
| US3             | Polished Brass           |
| US4             | Satin Brass              |
| US10            | Satin Bronze             |
| US10B           | Oil Rubbed Bronze        |
| US32            | Polished Stainless Steel |
| US32D           | Satin Stainless Steel    |
| 652             | Chrome-like Coating      |

## Models

Designed for heavy-duty applications, these models provide long-lasting protection for doors, frames, hardware and surrounding walls or obstructions. They are compatible with most door closers and feature an extremely reliable Hold-Open function and rugged shock absorption. All models feature jointed-arm design and centered jamb bracket.

Designed for heavy-duty applications, 81 series models are ideal for doors that are opened frequently. They provide long-lasting protection to doors, frames, hinges, related hardware and surrounding walls or obstructions.

---

### 81H Series Hold-Open

(Suffix H) The Hold-Open model should be used when doors will need to be held open at a preset position for an extended period. This allows unobstructed traffic flow. Hold-Open model provides a selective Hold-Open function. A simple turn of the thumbturn disables the Hold-Open function, allowing the unit to serve as a shock absorbing stop.

The Hold-Open mechanism is selective and may be turned on or off with a simple turn of the thumbturn. In the “off” position, these models act as stops and shock absorbers. In the “on” position, they hold the door open at a preset position between 85° and 110°. The Hold-Open force is not adjustable in the 81H Series.

---

### 81S Series Stop-Only

(Suffix S) When the Hold-Open function is not required, the Stop-Only models provide the same effective door control, without the Hold-Open feature. The Stop-Only model may be used on fire doors.

## Application Information

### UL Classification

The 81 series Stop-Only models are classified by Underwriters Laboratories (UL) as Miscellaneous Fire Door Accessories. This classification applies to use on either Hollow Metal Fire Doors or Wood Fire Doors. These units may be used on doors of any rating. As a reminder, the Miscellaneous Fire Door Accessories (GVUX) section is defined by UL as: "Miscellaneous fire door accessories are intended in the individual Listings. The accessories have been investigated to determine that when installed in accordance with the manufacturer's instructions, the accessories do not adversely affect the fire rating of the fire door and/or fire door frames."

### Dead-Stop Templating:

If a wall or similar obstruction is in place at an opening angle of 110° or less (i.e. doors that open back-to-back), Dead Stop Templating should be used for all Hold-Open and Stop-Only models. The Dead Stop position is reached when the shock-absorbing spring is fully compressed. The initial degree of opening will be 5° to 7° less than the Dead Stop opening.

*Example: If the holder is templated to 100° Dead Stop, the door will hold open somewhere between 93° to 95°, but no further than 100°.*

### Environmental Considerations:

Environmental factors should always be considered when specifying overhead holders and stops. Doors that are positioned on a building's exterior or subject to corrosive conditions should be equipped with a holder constructed primarily of stainless steel or brass materials. For interior applications, steel is acceptable, though brass substrates generally provide a more attractive architectural-grade finish.

## Options

### Suffix J (Angle Jamb Bracket):

An option on the 81 series is the "J" angle jamb bracket, which converts the standard model to hinge side mounting (on Stop-Only models) or to flush transom mounting. The angle jamb bracket affixes to the standard jamb bracket. If ordered with unit add suffix J. If need separately order 81J by finish needed.

### Suffix SOC (Pin-in-Socket Security Screws):

A screw package with pin-in-socket screws for mounting the door bracket and the jamb bracket is provided instead of the standard screw package.

### Suffix SHIM (Blade Stop Shims):

Shim kits are available in 3 sizes

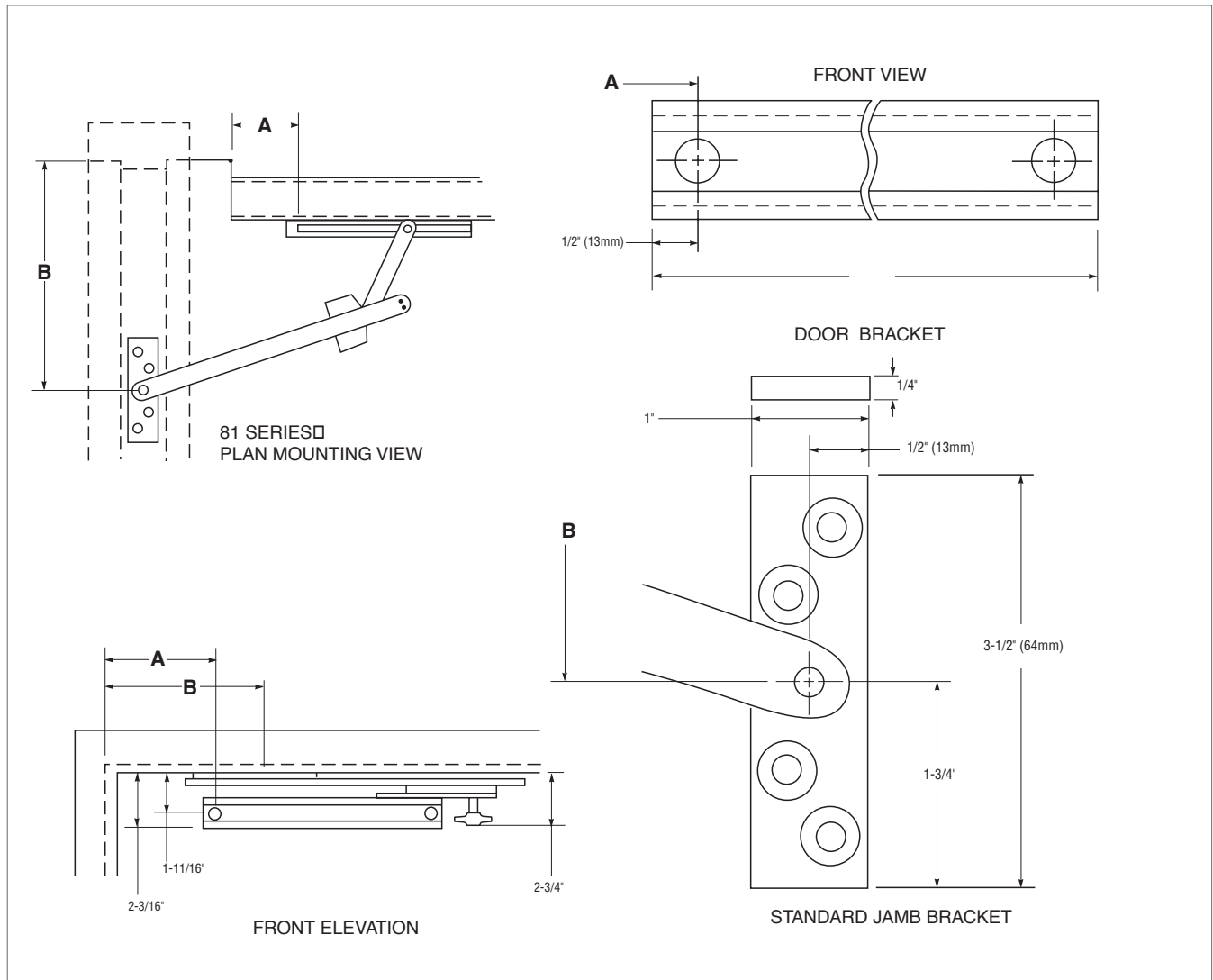
81 SHIM1 is a 1/4" Shim Kit

81 SHIM2 is a 1/2" Shim Kit

81 SHIM3 is a 3/4" Shim Kit

If ordered with overhead, add suffix SHIM (1, 2 or 3). If needed separately order 81 SHIM 1, 2, or 3 by finish needed.

# 81 Series Surface Overhead Holders/Stops



*81 Series Sizing Chart*

| SIZE | BUTTS/OFFSET PIVOTS |           |           | CENTER HUNG  |           |           |
|------|---------------------|-----------|-----------|--------------|-----------|-----------|
|      | DOOR OPENING        | STOP ONLY | HOLD OPEN | DOOR OPENING | STOP ONLY | HOLD OPEN |
| 1    | ----                | ----      | ----      | ----         | ----      | ----      |
| 2    | ----                | ----      | ----      | ----         | ----      | ----      |
| 3    | 27-1/16"–33"        | 813S      | 813H      | 33-1/16"–39" | 813S      | 813H      |
| 4    | 33-1/16"–39"        | 814S      | 814H      | 39-1/16"–45" | 814S      | 814H      |
| 5    | 39-1/16"–45"        | 815S      | 815H      | 45-1/16"–51" | 815S      | 815H      |
| 6    | 45-1/16"–51"        | 816S      | 816H      | 51-1/16"–59" | 816S      | 816H      |

Note: This chart illustrates the most common types of hinging and door opening sizes.  
For unusual door details, contact Glynn-Johnson for availability.

The template information on this page is for reference only and is not intended to serve as an installation template.  
For complete dimensional information, refer to Glynn-Johnson template book.

**BHMA/ANSI, A156.8 & FED. Spec. Cross Reference**

| G-J Model | BHMA*  | FED. Spec. |
|-----------|--------|------------|
| 813-816 H | C03511 | G-J 80     |
| 813-816 S | C03541 | G-J 80     |

\* First numeral (0) designates optional material.

To specify:  
Brass material, change 0 to 1 (i.e. C13511)  
Stainless Steel material, change 0 to 5 (i.e. C51511)  
Steel material, change 0 to 8 (i.e. C83511)



## How to Order:

**81**      **4**      **H**      -      **US32D**      -      **SOC**

**Overhead Series:**  
81

**Size (Door Opening Using Butts or Offset Pivots):**

- 3**      (27-1/16"–33")
- 4**      (33-1/16"–39")
- 5**      (39-1/16"–45")
- 6**      (45-1/16"–54")

**Function:**

- H**      Hold-Open
- S**      Stop-Only

**Finishes:**

- US3**      Polished Brass
- US4**      Satin Brass
- US10**      Satin Bronze
- US10B**      Oil Rubbed Bronze
- US32**      Polished Stainless Steel
- US32D**      Satin Stainless Steel
- 652**      Chrome-like Coating

**Options:**

- J**      Angle Jamb Bracket
- SHIM**      Blade Stop Shims—
  - SHIM1–1/4" Kit
  - SHIM2–1/2" Kit
  - SHIM3–3/4" Kit
- SOC**      Pin-in-Socket Security Screws

# 90 Series Surface Overhead Door Holders/Stops



## 90 Series Heavy-Duty

Glynn-Johnson 90 series holders and stops are the most rugged models available for heavy-duty applications. The channel is surface-mounted to the door, most often with six bolts, and the jamb bracket is surface mounted to the jamb, requiring minimal door and frame preparation.

These versatile units can be used in conjunction with most surface-applied door closers. The provided templates allow for variable mounting positions, ranging from 85° to 110° Hold-Open/Stop angle. These templates are designed for installation in almost all types of doors, including doors with conventional butt-type hinges or specialty hinges.

### Four Models:

- 90H Series Hold-Open Model
- 90S Series Stop-Only Model
- 90F Series Friction Hold-Open Model
- 90SE Series Special Stop-Only Model

### Five Sizes:

- Simple
- Standardized
- Each model is available in five sizes

### Three Options:

- J—Angle Jamb Bracket
- SHIM—Blade Stop Shim Kits
- SOC—Pin-in-Socket Security Screw Package

### Unmatched Convenience:

- Non-Handed
- Improved Compatibility with Door Closers
- Single-Acting Doors
- Interior/Exterior Applications
- Durable
- Easy to Install
- Improved Corrosion Resistance
- Function Conversion Kits Available

### Materials and Finishes:

In 300 series Stainless Steel, Brass and Steel substrates, these models are available in the largest selection of finishes in the industry. Stainless Steel models offer the highest resistance to corrosion. Available in the following finishes:

| <b>Finish</b> | <b>Description</b>       |
|---------------|--------------------------|
| US3           | Polished Brass           |
| US4           | Satin Brass              |
| US10          | Satin Bronze             |
| US10B         | Oil Rubbed Bronze        |
| US32          | Polished Stainless Steel |
| US32D         | Satin Stainless Steel    |
| SP4           | Powder Coat Brass        |
| SP10          | Powder Coat Bronze       |
| SP28          | Powder Coat Aluminum     |
| SP313         | Powder Coat Dark Bronze  |
| SPBLK         | Powder Coat Black        |
| 652           | Chrome-like Coating      |

## Models

Glynn-Johnson 90 series door holders and stops provide long-lasting protection for doors, frames and hardware. All models incorporate a heavy-duty channel/slide-arm design and offset jamb bracket. This unique design allows for simple field modification of functions, should user requirements change.

### 90H Series Hold-Open

(Suffix H) Hold-Open models provide a convenient method of holding the door open at a predetermined position for short or long periods of time, permitting an unobstructed traffic flow through the opening. The Hold-Open function can easily be turned on or off by simply rotating the serrated knob on the bottom of the channel. This knob engages the Hold-Open mechanism, allowing the door to be held open at a predetermined position ranging from 85° to 110°. When the knob is flipped over, it acts as a stop and shock absorber.

The tension on the Hold-Open mechanism can be adjusted using a phillips screwdriver to offset air currents or other exterior conditions. The Hold-Open tension adjustment is located on the top of the slider in the channel.

### 90S Series Stop-Only

(Suffix S) When the Hold-Open function is not a requirement, Stop-Only models provide a reliable method of door control. Stop-Only models provide the same shock-absorbing capability as Hold-Open models. The Stop-Only model may be used on fire doors.

### 90F Series Friction Hold-Open

(Suffix F) Friction Hold-Open models are ideal for patient room doors, wardrobe and closet doors or similar applications where multiple Hold-Open positions are desired. The friction tension can be adjusted through the top of the channel using an allen wrench. The friction tension adjustment is located on the top of the slider in the channel.

## 90SE Series Special Stop-Only

(Suffix SE) When Stop-Only models are used in conjunction with single-point, Hold-Only electronic door closers, the Stop-Only function may be ordered without the shock-absorbing mechanism. Used as an auxiliary stop, these models prolong the life of the closer. The stop location is adjusted using an allen wrench on the stop block located in the channel.

*Note: Caution should be taken when using this option in other applications, as the elimination of the shock-absorbing spring can put added stress on the door and frame.*

## Application Information

### UL Classification

The 90 series Stop-Only models are classified by Underwriters Laboratories (UL) as Miscellaneous Fire Door Accessories. This classification applies to use on either Hollow Metal Fire Doors or Wood Fire Doors. These units may be used on doors of any rating. As a reminder, the Miscellaneous Fire Door Accessories (GVUX) section is defined by UL as: "Miscellaneous fire door accessories are intended in the individual Listings. The accessories have been investigated to determine that when installed in accordance with the manufacturer's instructions, the accessories do not adversely affect the fire rating of the fire door and/or fire door frames."

### Dead-Stop Templating:

Dead-stop templating is recommended for applications where a wall or similar obstruction is placed at an opening angle of 110° or less (i.e., doors that open back-to-back). Dead-stop templating can be applied to Hold-Open, Stop-Only and Friction models. The Dead-Stop position is the point at which the shock-absorbing spring is fully compressed. Therefore, when Dead-Stop Templating is used, the initial degree of opening will be 5° to 7° less than the Dead-Stop opening.

*Example: If the holder is templated to a 100° Dead Stop, the door will hold open at an angle between 93° and 95° but no further than 100°*

*Note: Do not use dead-stop templating on the 90SE Series since there is no shock-absorbing spring.*

### Environmental Considerations:

Environmental factors should always be considered when specifying overhead holders and stops. Doors that are positioned on a building's exterior or subject to corrosive conditions should be equipped with a holder constructed primarily of stainless steel or brass materials. For interior applications, steel is acceptable, though brass substrates generally provide a more attractive architectural-grade finish.

## Options

### Suffix J (Angle Jamb Bracket):

An angle jamb bracket is available for converting standard models to hinge-side or flush transom mounting. The angle jamb bracket affixes to the standard jamb bracket. If ordered with the unit add suffix J. If needed separately order 90J by finish needed.

### Suffix SOC (Pin-in-Socket Security Screws):

A screw package with pin-in-socket screws for mounting the door bracket and the jamb bracket is provided instead of the standard screw package.

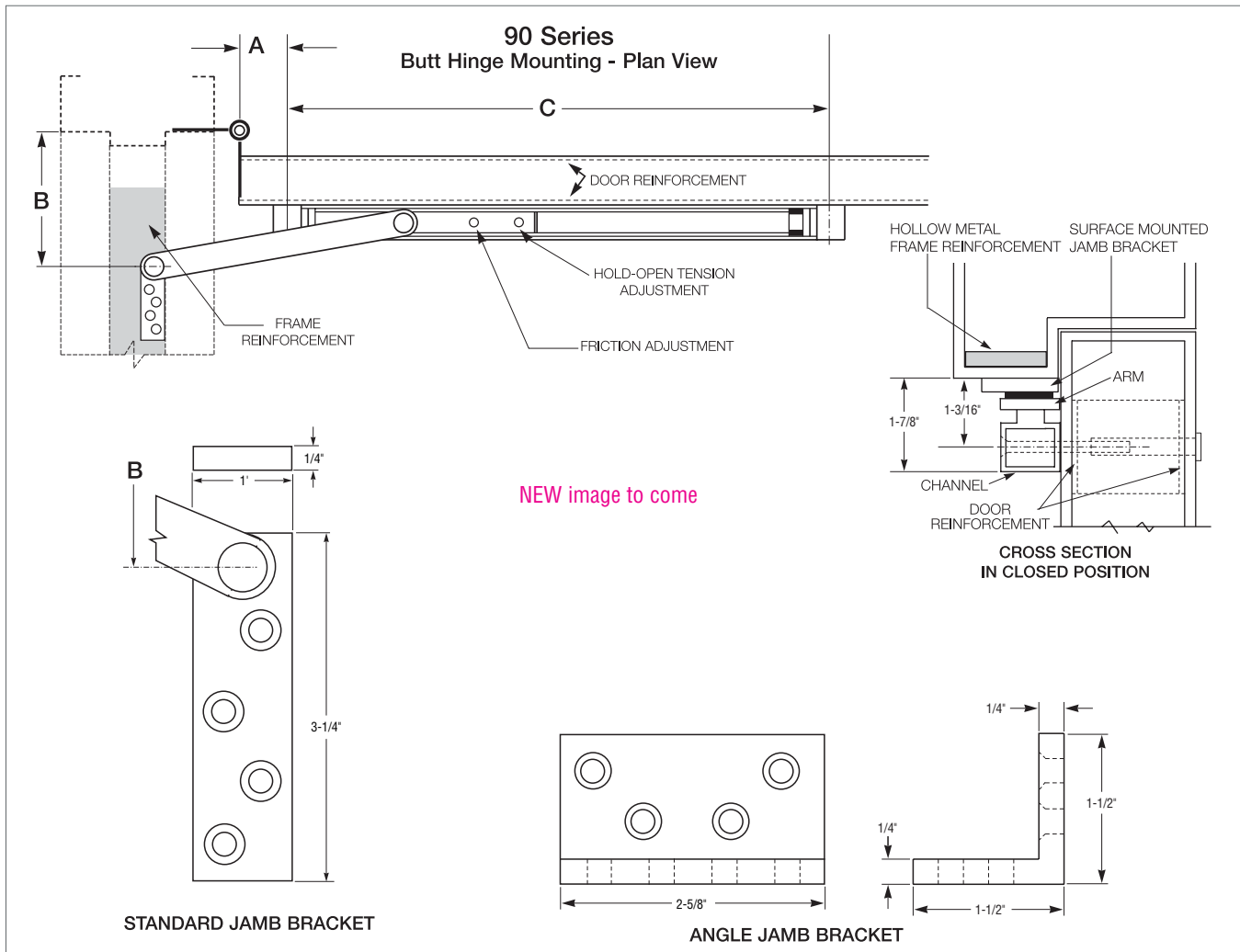
### Suffix SHIM (Blade Stop Shims):

Shim kits are available in 3 sizes  
90 SHIM1 is a 1/4" Shim Kit  
90 SHIM2 is a 1/2" Shim Kit  
90 SHIM3 is a 3/4" Shim Kit

If ordered with overhead, add suffix SHIM (1, 2 or 3). If needed separately order 90 SHIM (1, 2 or 3)–Finish.



# 90 Series Surface Overhead Door Holders/Stops



| 90 Series Sizing Chart |              |           |           |             |              |           |           |          |
|------------------------|--------------|-----------|-----------|-------------|--------------|-----------|-----------|----------|
| BUTTS/OFFSET PIVOTS    |              |           |           | CENTER HUNG |              |           |           |          |
| SIZE                   | DOOR OPENING | STOP ONLY | HOLD OPEN | FRICTION    | DOOR OPENING | STOP ONLY | HOLD OPEN | FRICTION |
| 1                      | ----         | ----      | ----      | ----        | ----         | ----      | ----      | ----     |
| 2                      | 23-1/16"-27" | 902S      | 902H      | 902F        | 27-1/16"-33" | 902S      | 902H      | 902F     |
| 3                      | 27-1/16"-33" | 903S      | 903H      | 903F        | 33-1/16"-39" | 903S      | 903H      | 903F     |
| 4                      | 33-1/16"-39" | 904S      | 904H      | 904F        | 39-1/16"-45" | 904S      | 904H      | 904F     |
| 5                      | 39-1/16"-45" | 905S      | 905H      | 905F        | 45-1/16"-51" | 905S      | 905H      | 905F     |
| 6                      | 45-1/16"-51" | 906S      | 906H      | 906F        | 51-1/16"-59" | 906S      | 906H      | 906F     |

| BHMA/ANSI, A156.8 & FED. Spec. Cross Reference |        |            |
|--|--------|------------|
| G-J Model                                      | BHMA*  | FED. Spec. |
| 902 - 906H                                     | C02511 | 1161       |
| 902 - 906S                                     | C02541 | 1161A      |
| 902 - 906F                                     | C02531 | ---        |

\* First numeral (0) designates optional material.  
 To specify:  
 Brass material, change 0 to 1 (i.e. C12511)  
 Stainless Steel material, change 0 to 5 (i.e. C52511)  
 Steel material, change 0 to 8 (i.e. C82511)

Note: This chart illustrates the most common types of hinging and door opening sizes.  
 For unusual door details, contact Glynn-Johnson for availability.

The template information on this page is for reference only and is not intended to serve as an installation template.  
 For complete dimensional information, refer to Glynn-Johnson template book.



## How to Order

**90**      **4**      **H**    -    **US32D**    -    **J**

**Overhead Series:**  
90

**Size (Door Opening Using Butts or Offset Pivots):**  
**2** (23-1/16"-27")  
**3** (27-1/16"-33")  
**4** (33-1/16"-39")  
**5** (39-1/16"-45")  
**6** (45-1/16"-54")

**Function:**  
**H** Hold-Open  
**F** Friction Hold-Open  
**S** Stop-Only  
**SE** Special Stop-Only

**Finishes:**  
**US3** Polished Brass  
**US4** Satin Brass  
**US10** Satin Bronze  
**US10B** Oil Rubbed Bronze  
**US32** Polished Stainless Steel  
**US32D** Satin Stainless Steel  
**SP4** Powder Coat Brass  
**SP10** Powder Coat Bronze  
**SP28** Powder Coat Aluminum  
**SP313** Powder Coat Dark Bronze  
**SPBLK** Powder Coat Black  
**652** Chrome-like Coating

**Options:**  
**J** Angle Jamb Bracket  
**SHIM** Blade Stop Shims—  
     SHIM1-1/4" Kit  
     SHIM2-1/2" Kit  
     SHIM3-3/4" Kit  
**SOC** Pin-in-Socket Security Screws

# 100 Series Concealed Overhead Door Holders/Stops



## 100 Series Heavy-Duty

Glynn-Johnson offers a complete line of overhead door holders and stops, accommodating virtually all openings with solutions for even the most complex door control problems. These concealed holders and stops provide the most attractive and reliable heavy-duty door control available.

Glynn-Johnson 100 series holders and stops provide the most reliable and versatile concealed overhead door control. They are designed for installation on virtually all types of doors mounted on conventional type butt hinges, pivots, continuous hinges, swing clear hinges and numerous other specialty hinges. When used in conjunction with many surface-applied door closers, 100 series holders and stops provide the most effective control for entrance doors and vestibule doors of all types, as well as heavy or often used interior doors. Templates provided allow for variable mounting positions, ranging from 85° - 110° of opening.

### Five Models:

- 100H Series Hold-Open Model
- 100HP Series Internal Hold-Open Model
- 100F Series Friction Hold-Open Model
- 100S Series Stop-Only Model
- 100SE Series Special Stop-Only Model

### Six Sizes:

- Each model comes in six sizes.
- Simple
- Standardized

### Three Options:

- ADJ—Adjustable Jamb Bracket
- CJ—Jamb Bracket for use with LCN5030 Closer
- SOC—Pin-in-Socket Security Screw Package

### Unmatched Convenience:

- Non-handed
- Improved Compatibility with Door Closers
- Single/Double-Acting Doors
- Interior/Exterior Applications
- Reduced Door Prep
- Durable
- Improved Corrosion Resistance
- Function Conversion Kits are Available.

### Materials and Finishes:

In Heavy Gauge Brass or 300 Series Stainless Steel, these models offer the broadest range of finishes in the industry, complementing any design and offering the highest resistance to corrosion. Available in the following finishes:

| <b>Finishes</b> | <b>Description</b>       |
|-----------------|--------------------------|
| US3             | Polished Brass           |
| US4             | Satin Brass              |
| US10            | Satin Bronze             |
| US10B           | Oil Rubbed Bronze        |
| US32            | Polished Stainless Steel |
| US32D           | Satin Stainless Steel    |
| SP4             | Powder Coat Brass        |
| SP10            | Powder Coat Bronze       |
| SP28            | Powder Coat Aluminum     |
| SP313           | Powder Coat Dark Bronze  |
| SPBLK           | Powder Coat Black        |

## Models

These models provide a wide range of optional features, and are ideal for use on entrance and vestibule doors, large doors, doors opened frequently, or doors subject to abuse. These models are also furnished with an offset-style jamb bracket.

Designed for heavy-duty applications, 100 series models will provide long-lasting protection to doors, frames, hinges, related hardware and surrounding walls or obstructions.

### 100H Series Hold-Open

(Suffix H) The Hold-Open function should be used where it is desired to hold a door open at a predetermined position for short or long periods of time, permitting an unobstructed traffic flow through the opening.

These models are both selective and adjustable, featuring the most reliable Hold-Open mechanism available. They feature a control knob which protrudes from the face of the door and turns the Hold-Open function on or off. Set in the inactive position, the unit acts as a stop and shock absorber. The tension on the Hold-Open mechanism can be adjusted using an allen wrench to offset air currents or other exterior conditions. The Hold-Open tension adjustment is located in the bottom of the track in the top of the door.

### 100HP Series Internal Hold-Open

These models provide a Hold-Open unit with the Hold-Open mechanism built into the channel, thus reducing the door prep. The 100HP have a preset Hold-Open force that is not adjustable. The Hold-Open feature is not selectable in these units, so the doors are always held open.

---

## 100F Series Friction Hold-Open

(Suffix F) Friction Hold-Open models provide an alternative holding method, ideal for heavy patient room doors, closet doors or similar applications where multiple Hold-Open positions are desired. The friction tension is adjusted using an allen wrench and an open end wrench. The friction tension adjustment is located on the top of the slider in the channel.

---

## 100S Series Stop-Only

(Suffix S) When the Hold-Open function is not required, the Stop-Only function provides the same effective door control minus the Hold-Open feature. The Stop-Only model may be used on fire doors.

---

## 100SE Series Special Stop-Only

(Suffix SE) When Stop-Only models are used in conjunction with single point Hold-Open electronic door closers, they may be ordered without the shock-absorbing mechanism. Used as an auxiliary stop with these closers, they will prolong the life of the closer. The stop location is adjusted using an allen wrench on the stop block located in the channel.

*Note: Caution should be used when using this option in other applications, as the elimination of the shock-absorbing spring can put added stress on door and frame if used improperly.*

## Application Information

### UL Classification

The 100 series Stop-Only models are classified by Underwriters Laboratories (UL) as Miscellaneous Fire Door Accessories. This classification applies to use on either Hollow Metal Fire Doors or Wood Fire Doors. Where Wood Door manufacturer's listing allows for the cutout required for installation, concealed overhead stops may be used on those wood fire doors. These units may be used on doors of any rating. As a reminder, the Miscellaneous Fire Door Accessories (GVUX) section is defined by UL as: "Miscellaneous fire door accessories are intended in the individual Listings. The accessories have been investigated to determine that when installed in accordance with the manufacturer's instructions, the accessories do not adversely affect the fire rating of the fire door and/or fire door frames."

### Dead Stop Templating:

If a wall or similar obstruction is in place at 110° or less opening angle (i.e. doors that open back-to-back), Dead Stop Templating should be used. This includes all Hold-Open, Friction and Stop-Only models, except when the "SE" Option is used. The Dead Stop position is reached when the shock-absorbing spring is fully compressed, the initial degree of opening will be 5° to 7° less than the Dead Stop opening.

*Example: If the holder is templated to 100° Dead Stop, the door will hold open somewhere between 93° and 95°, but no further than 100°.*

*Note: Do not use dead-stop templating on the 100SE Series since there is no shock-absorbing spring.*

### Environmental Considerations:

Environmental factors should always be considered when specifying overhead holders and stops. Doors that are positioned on a building's exterior or subject to corrosive conditions should be equipped with a holder constructed primarily of stainless steel or brass materials. For interior applications, steel is acceptable, though brass substrates generally provide a more attractive architectural-grade finish.

## Options

### Suffix ADJ (Adjustable Jamb Bracket):

An additional option on the 100 series is the adjustable jamb bracket, which allows the degree of Hold-Open or Stop angle to be adjusted after installation. Suffix "ADJ" is available in all functions, but only in sizes 3, 4, 5 & 6. ADJ jamb bracket requires additional frame prep. The ADJ option cannot be added to an existing unit, it must be factory ordered.

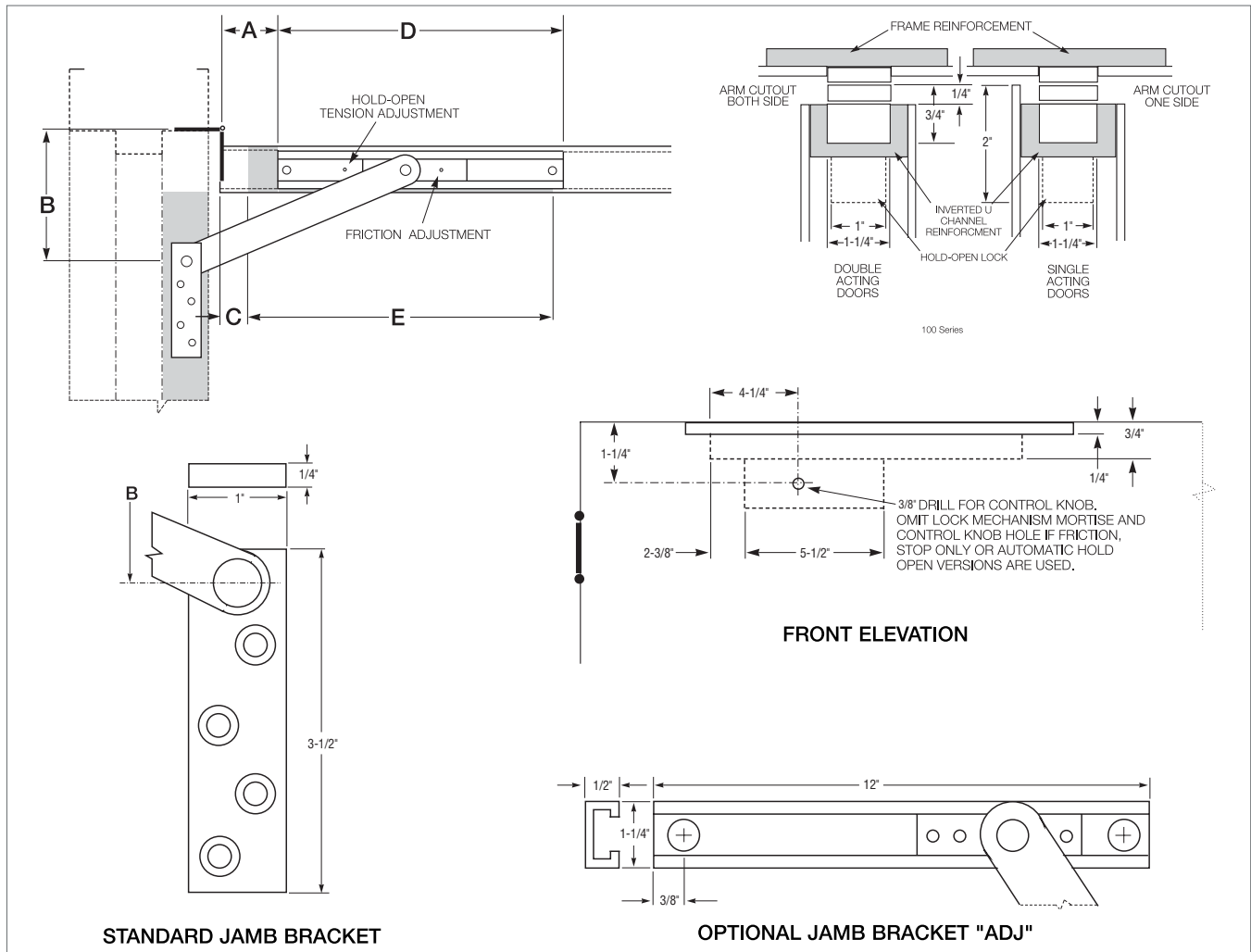
### Suffix CJ (Closer Jamb Bracket):

Provides a special jamb bracket needed for 100 series units used with LCN5030 closers. These special jamb brackets are handed, so handing will need to be specified when ordering the "CJ" option, CJLH for a left hand door and CJRH for a right hand door. The CJ option cannot be added to an existing unit, it must be factory ordered.

### Suffix SOC (Pin-in-Socket Security Screw Package):

A screw package with pin-in-socket screws for mounting the jamb bracket to the frame is provided instead of the standard screw package.

# 100 Series Concealed Overhead Door Holders/Stops



| SIZE | BUTTS/OFFSET PIVOTS |           |           |          | CENTER HUNG  |           |           |          |
|------|---------------------|-----------|-----------|----------|--------------|-----------|-----------|----------|
|      | DOOR OPENING        | STOP ONLY | HOLD OPEN | FRICTION | DOOR OPENING | STOP ONLY | HOLD OPEN | FRICTION |
| 1    | 18"-23"             | 101S*     | 101H*     | 101F*    | ----         | ----      | ----      | ----     |
| 2    | 23-1/16"-27"        | 102S*     | 102H*     | 102F*    | ----         | ----      | ----      | ----     |
| 3    | 27-1/16"-33"        | 103S      | 103H      | 103F     | 33-1/16"-39" | 103S      | 103H      | 103F     |
| 4    | 33-1/16"-39"        | 104S      | 104H      | 104F     | 39-1/16"-45" | 104S      | 104H      | 104F     |
| 5    | 39-1/16"-45"        | 105S      | 105H      | 105F     | 45-1/16"-51" | 105S      | 105H      | 105F     |
| 6    | 45-1/16"-54"        | 106S      | 106H      | 106F     | 51-1/16"-59" | 106S      | 106H      | 106F     |

Note: This chart illustrates the most common types of hinging and door opening sizes. For unusual door details, contact Glynn-Johnson for availability.

\*These sizes are not available for use with offset pivots. Also not available with the ADJ option.

| G-J Model | BHMA*  | FED. Spec. |
|-----------|--------|------------|
| 101-106 H | C01511 | 1160       |
| 101-106 S | C01541 | ----       |
| 101-106 F | C01531 | ----       |

\* First numeral (0) designates optional material.

To specify:

Brass material, change 0 to 1 (i.e. C11511)

Stainless Steel material, change 0 to 5 (i.e. C51511)

## BHMA

All 100 series models are designed for heavy-duty applications and far exceed BHMA cycle test and force test requirements for Grade 1 holders and stops.

The template information on this page is for reference only and is not intended to serve as an installation template. For complete dimensional information, refer to Glynn-Johnson template book.



## How to Order

**10**      **4**      **H**      -      **US26D**      -      **ADJ**

**Overhead Series:**  
10

**Size (Door Opening Using Butts or Offset Pivots:**

- 1**      (18"-23")
- 2**      (23-1/16"-27")
- 3**      (27-1/16" -33")
- 4**      (33-1/16"-39")
- 5**      (39-1/16"-45")
- 6**      (45-1/16"-54")

**Function:**

- H**      Hold-Open
- HP**    Internal Hold-Open
- F**      Friction Hold-Open
- S**      Stop-Only
- SE**    Special Stop-Only

**Finishes:**

- US3**    Polished Brass
- US4**    Satin Brass
- US10**   Satin Bronze
- US10B** Oil Rubbed Bronze
- US32**   Polished Stainless Steel
- US32D** Satin Stainless Steel
- SP4**    Powder Coat Brass
- SP10**   Powder Coat Bronze
- SP28**   Powder Coat Aluminum
- SP313** Powder Coat Dark Bronze
- SPBLK** Powder Coat Black

**Options:**

- ADJ**    Adjustable Jamb Bracket
- CJLH**   Special Jamb Bracket for LCN 5030 Closer, LH Door
- CJRH**   Special Jamb Bracket for LCN 5030 Closer, RH Door
- SOC**    Pin-in-Socket Security Screws

# 410 Concealed Overhead Door Holders/Stops



## 410 Series Medium-Duty

Glynn-Johnson offers the most complete line of overhead door holders and stops, offering solutions for the most complex door control problems. The 410 series offers the industry's widest variety of functions, base materials and finishes to fit all medium to light-duty applications.

The perfect combination of form and function, Glynn-Johnson 410 series holders and stops offer effective door control and a low-profile design. Each model is constructed so that the channel is encased in the door and the jamb bracket is mortised in the frame. When the door is open, the arm and jamb bracket are visible. Conversely, when the door is in the closed position, the entire holder is completely concealed.

These versatile models can be used with most surface-applied door closers. The provided templates allow for variable mounting positions, ranging from 85° to 110° of opening. These templates are designed for installation in almost all types of doors, including doors with conventional butt-type hinges or specialty hinges.

### Four Models:

- 410H Series Hold-Open
- 410S Series Stop-Only
- 410F Series Friction Hold-Open
- 410SE Series Special Stop-Only

### Five Sizes:

- Simple
- Standardized
- Each model is available in five sizes

### One Option:

- SOC—Pin-in-Socket Security Screw Package

### Unmatched Convenience:

- Non-Handed
- Improved Compatibility with Door Closers
- Single/Double-Acting Doors
- Interior Applications
- Durable
- Easy to Install
- Improved Corrosion Resistance

### Materials and Finishes:

All models are available in 300 series Stainless Steel, Brass and Steel substrates. The broadest range of finishes in the industry is provided to complement any design.

| <b>Finishes</b> | <b>Description</b>       |
|-----------------|--------------------------|
| US3             | Polished Brass           |
| US4             | Satin Brass              |
| US10            | Satin Bronze             |
| US10B           | Oil Rubbed Bronze        |
| US32            | Polished Stainless Steel |
| US32D           | Satin Stainless Steel    |
| SP4             | Powder Coat Brass        |
| SP10            | Powder Coat Bronze       |
| SP28            | Powder Coat Aluminum     |
| SP313           | Powder Coat Dark Bronze  |
| SPBLK           | Powder Coat Black        |
| 652             | Chrome-like Coating      |

## Models

Glynn-Johnson 410 series holders and stops are designed for medium- to light-duty applications. They're ideal for openings that are subject to normal activity, providing protection for the door, frame, hinges and surrounding walls or obstructions.

All models incorporate the popular channel/slide-arm design and offset jamb brackets. This improved design allows for simple field modification of functions, should user requirements change.

### 410H Series Hold-Open

(Suffix H) Hold-Open models provide a convenient method of holding the door open at a predetermined position for short or long periods of time, permitting an unobstructed traffic flow. The Hold-Open tension can be adjusted using an allen wrench through the end of the slider located in the channel mounted in the top of the door.

These models feature a rugged, automatic Hold-Open mechanism activated when the door is opened to a preset angle. Each model meets the 250,000 test cycles required for Grade 1 classification. The Hold-Open feature is not selectable, so the door is always held open.

### 410S Series Stop-Only

(Suffix S) When the Hold-Open function is not a requirement, the Stop-Only function provides an effective method of door control. The Stop-Only model may be used on fire doors.

## 410F Series Friction Hold-Open

(Suffix F) Friction Hold-Open models are ideal for patient room doors, wardrobe and closet doors, or similar applications where multiple Hold-Open positions are desired. The friction tension can be adjusted using an allen wrench on the slider located in the channel mounted at the top of the door.

## 410SE Series Special Stop-Only

(Suffix SE) When Stop-Only models are used in conjunction with single-point, Hold-Open electronic door closers, the Stop-Only function may be ordered less the shock-absorbing mechanism. Used as an auxiliary stop, these optional models prolong the life of the closer. The stop location is adjusted using an allen wrench on the stop block located in the channel.

*Note: Caution should be taken when using this option in other applications, as the elimination of the shock-absorbing spring can put added stress on the door and frame.*

## Application Information

### UL Classification

The 410 series Stop-Only models are classified by Underwriters Laboratories (UL) as Miscellaneous Fire Door Accessories. This classification applies to use on either Hollow Metal Fire Doors or Wood Fire Doors. Where Wood Door manufacturer's listing allows for the cutout required for installation, concealed overhead stops may be used on those wood fire doors. These units may be used on doors of any rating. As a reminder, the Miscellaneous Fire Door Accessories (GVUX) section is defined by UL as: "Miscellaneous fire door accessories are intended in the individual Listings. The accessories have been investigated to determine that when installed in accordance with the manufacturer's instructions, the accessories do not adversely affect the fire rating of the fire door and/or fire door frames."

### Dead-Stop Templating:

Dead-Stop Templating is recommended for applications where a wall or similar obstruction is in place at an opening angle of 110° or less (i.e., doors that open back-to-back). Dead-Stop Templating can be applied to Hold-Open, Stop-Only and Friction models. The Dead-Stop position is the point at which the shock-absorbing spring is fully compressed. Therefore, when Dead-Stop Templating is used, the initial degree of opening will be 5° to 7° less than the Dead-Stop opening.

*Example: If the holder is templated to a 100° dead stop, the door will hold open at an angle between 93° and 95° but no further than 100°.*

*Note: Do not use dead-stop templating on the 410SE Series since there is no shock-absorbing spring.*

### Environmental Considerations:

Environmental factors should always be considered when specifying overhead holders and stops. Doors that are positioned on a building's exterior or subject to corrosive conditions should be equipped with a holder constructed primarily of stainless steel, brass or bronze materials. For interior applications, steel is acceptable, though brass and bronze substrates generally provide a more attractive architectural-grade finish.

### Heavy-Use Applications:

A heavy-duty holder or stop should be considered when doors and frames are subject to heavy, frequent use. Also, heavy-duty units should be considered on exterior doors subject to wind.

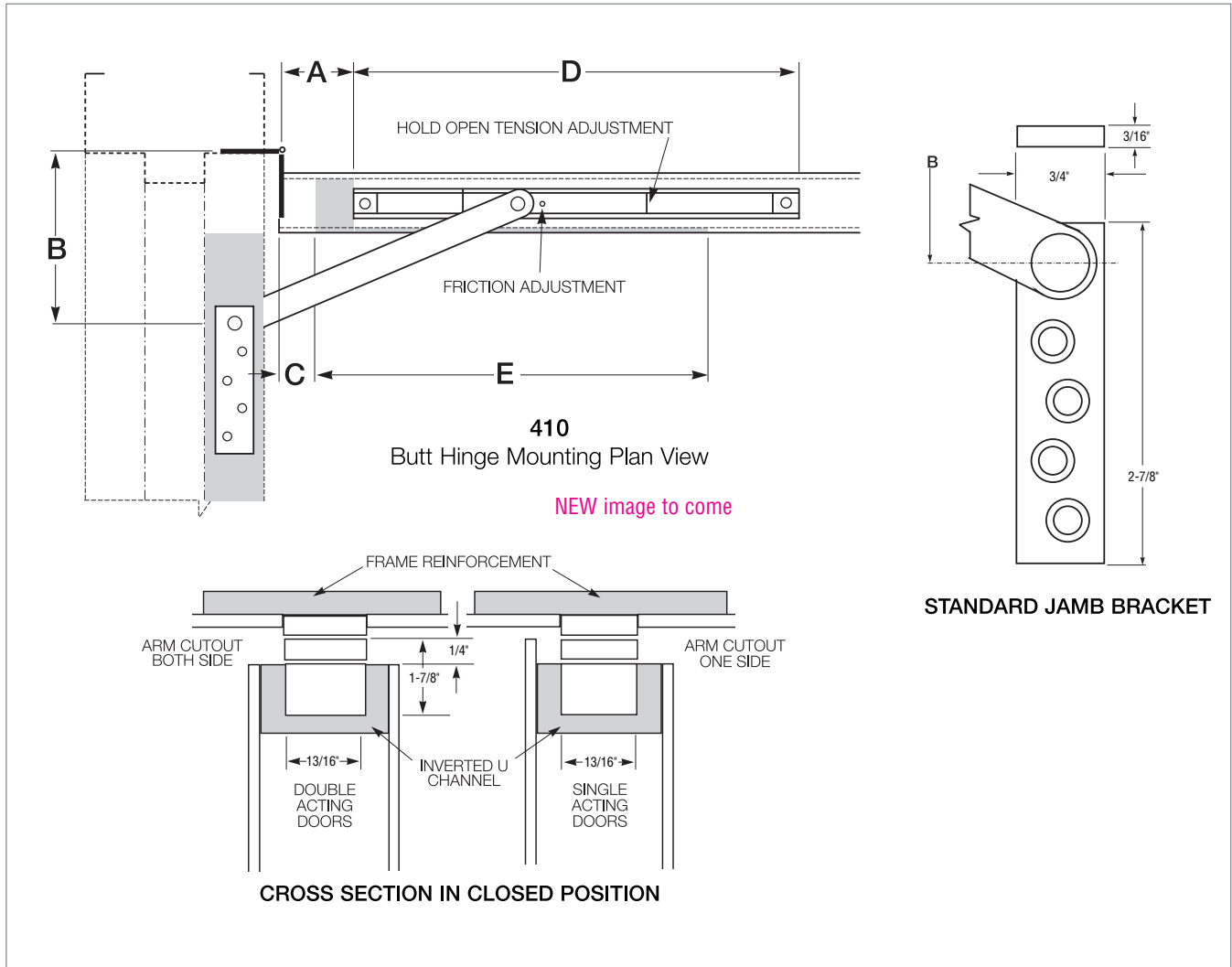
## Options

### Suffix SOC (Pin-in-Socket Security Screw Package):

A screw package with pin-in-socket screws for mounting the jamb bracket to the frame is provided instead of the standard screw package.



# 410 Series Concealed Overhead Door Holders/Stops



| SIZE | BUTTS/OFFSET PIVOTS |           |           |          | CENTER HUNG  |           |           |          |
|------|---------------------|-----------|-----------|----------|--------------|-----------|-----------|----------|
|      | DOOR OPENING        | STOP ONLY | HOLD OPEN | FRICTION | DOOR OPENING | STOP ONLY | HOLD OPEN | FRICTION |
| 1    | 18"-23"             | 411S      | 411H      | 411F     | ----         | ----      | ----      | ----     |
| 2    | 23-1/16"-27"        | 412S      | 412H      | 412F     | ----         | ----      | ----      | ----     |
| 3    | 27-1/16"-33"        | 413S      | 413H      | 413F     | 33-1/16"-39" | 413S      | 413H      | 413F     |
| 4    | 33-1/16"-39"        | 414S      | 414H      | 414F     | 39-1/16"-45" | 414S      | 414H      | 414F     |
| 5    | 39-1/16"-45"        | 415S      | 415H      | 415F     | 45-1/16"-51" | 415S      | 415H      | 415F     |

Note: This chart illustrates the most common types of hinging and door opening sizes.  
For unusual door details, contact Glynn-Johnson for availability.

| G-J Model | BHMA*  | FED. Spec. |
|-----------|--------|------------|
| 411-415 H | C04511 | 1166       |
| 411-415 S | C04541 | 1166A      |
| 411-415 F | C04531 | 1164       |

\* First numeral (0) designates optional material.

To specify:  
Brass material, change 0 to 1 (i.e. C14511)  
Stainless Steel Material, change 0 to 5 (i.e. C54511)  
Steel material, change 0 to 8 (i.e. C84511)

The template information on this page is for reference only and is not intended to serve as an installation template.  
For complete dimensional information, refer to Glynn-Johnson template book.



## How to Order

|  |           |          |          |   |              |   |            |
|--|-----------|----------|----------|---|--------------|---|------------|
|  | <b>41</b> | <b>1</b> | <b>H</b> | - | <b>US10B</b> | - | <b>SOC</b> |
| <b>Overhead Series:</b>                                  |           |          |          |   |              |   |            |
| 41   |           |          |          |   |              |   |            |
| <b>Size (Door Opening Using Butts or Offset Pivots):</b> |           |          |          |   |              |   |            |
| 1 (18"-23")  |           |          |          |   |              |   |            |
| 2 (23-1/16"-27")   |           |          |          |   |              |   |            |
| 3 (27-1/16"-33")   |           |          |          |   |              |   |            |
| 4 (33-1/16"-39")   |           |          |          |   |              |   |            |
| 5 (39-1/16"-45")   |           |          |          |   |              |   |            |
| <b>Function:</b>   |           |          |          |   |              |   |            |
| H Hold-Open  |           |          |          |   |              |   |            |
| F Friction Hold-Open                                     |           |          |          |   |              |   |            |
| S Stop-Only  |           |          |          |   |              |   |            |
| SE Special Stop-Only                                     |           |          |          |   |              |   |            |
| <b>Finishes:</b>   |           |          |          |   |              |   |            |
| US3 Polished Brass                                       |           |          |          |   |              |   |            |
| US4 Satin Brass  |           |          |          |   |              |   |            |
| US10 Satin Bronze  |           |          |          |   |              |   |            |
| US10B Oil Rubbed Bronze                                  |           |          |          |   |              |   |            |
| US32 Polished Stainless Steel                            |           |          |          |   |              |   |            |
| US32D Satin Stainless Steel                              |           |          |          |   |              |   |            |
| SP4 Powder Coat Brass                                    |           |          |          |   |              |   |            |
| SP10 Powder Coat Bronze                                  |           |          |          |   |              |   |            |
| SP28 Powder Coat Aluminum                                |           |          |          |   |              |   |            |
| SP313 Powder Coat Dark Bronze                            |           |          |          |   |              |   |            |
| SPBLK Powder Coat Black                                  |           |          |          |   |              |   |            |
| 652 Chrome-like Coating                                  |           |          |          |   |              |   |            |
| <b>Option:</b>   |           |          |          |   |              |   |            |
| SOC Pin-in-Socket Security Screws                        |           |          |          |   |              |   |            |

# 450 Series Surface Overhead Door Holders/Stops



## 450 Series Medium-Duty

Glynn-Johnson provides the most complete line of overhead holders and stops, offering solutions for the most demanding door control problems. These surface-mounted holders and stops offer the widest variety of functions, materials and finishes to fit all medium- to light-duty applications.

Glynn-Johnson 450 series holders and stops provide reliable and versatile surface-mounted overhead door control for all medium to light-duty applications. The visible components are available in a wide variety of architectural finishes to complement any design. The 450 series holders and stops are designed for installation in virtually all types of doors and frames including doors with conventional butt hinges, offset pivots, continuous hinges, swing clear hinges and many other specialty hinges. The templates provided allow for variable mounting positions, ranging from 85° - 110° of opening.

### Four Models:

- 450H Series Hold-Open Model
- 450S Series Stop-Only Model
- 450F Series Friction Hold-Open Model
- 450SE Series Special Stop-Only Model

### Five Sizes:

- Simple
- Standardized
- Each model is available in five sizes

### Three Options:

- J—Angle Jamb Bracket
- SHIM—Blade Stop Shim Kit
- SOC—Pin-in-Socket Security Screw Package

### Unmatched Convenience:

- Non-Handed
- Improved Compatibility with Door Closers
- Improved Jamb Bracket Design
- Single Acting Doors
- Interior Applications
- Durable
- Easy to Install
- Improved Corrosion Resistance

### Materials and Finishes:

In Brass, 300 series stainless steel or steel, these models offer the broadest range of finishes in the industry to complement any design. Brass and Stainless Steel offer the highest resistance to corrosion, while all these base materials are suitable for normal interior use.

| <b>Finish</b> | <b>Description</b>       |
|---------------|--------------------------|
| US3           | Polished Brass           |
| US4           | Satin Brass              |
| US10          | Satin Bronze             |
| US10B         | Oil Rubbed Bronze        |
| US32          | Polished Stainless Steel |
| US32D         | Satin Stainless Steel    |
| SP4           | Powder Coat Brass        |
| SP10          | Powder Coat Bronze       |
| SP28          | Powder Coat Aluminum     |
| SP313         | Powder Coat Dark Bronze  |
| SPBLK         | Powder Coat Black        |
| 652           | Chrome-like Coating      |

## Models

Glynn-Johnson 450 series holders and stops are designed for medium to light-duty applications. They're ideal for openings that are subject to normal activity, providing protection for the door, frame, hinges and surrounding walls or obstructions.

Designed for improved compatibility with most door closers, all models incorporate popular channel/slide arm design and offset jamb brackets. The improved design makes it easier to change functions in the field, should user requirements change.

### 450H Series Hold-Open

(Suffix H) These models conveniently hold doors open at a predetermined position, permitting unobstructed traffic flow.

These models feature an adjustable automatic Hold-Open that is activated when the door is opened to a preset angle. The Hold-Open tension can be adjusted using an allen wrench through the end of the slider located in the channel at the top of the door. Each meets the 250,000 test cycles required for Grade 1 classification.

### 450S Series Stop-Only

(Suffix S) When the Hold-Open function is not required, the Stop-Only function provides the same effective door control without keeping the door held open. The Stop-Only model may be used on fire doors.

### 450F Series Friction Hold-Open

(Suffix F) Friction Hold-Open models provide an alternative holding method ideal for patient room doors, wardrobe or closet doors, or similar applications where multiple Hold-Open positions are desired. The friction tension can be adjusted using an allen wrench on the slider located in the channel at the top of the door.

## 450SE Series Special Stop-Only

(Suffix SE) When Stop-Only models are used in conjunction with single point Hold-Open electronic door closers, the function may be ordered without the shock absorbing mechanism. Used as an auxiliary stop with these closers, they will prolong the life of the closer. The stop location is adjusted using an allen wrench on the stop block located in the channel.

*Note: Caution should be taken when using this option in other applications, as the elimination of the shock-absorbing spring can put added stress on the door and frame.*

## Application Information

### Closer Applications

Glynn-Johnson 450 series models require minimal door and frame preparation. They may be used in conjunction with most surface-applied door closers. In some cases, optional drop brackets may need to be mounted on the closers. These brackets are available from the closer manufacturer.

### UL Classification

The 450 series Stop-Only models are classified by Underwriters Laboratories (UL) as Miscellaneous Fire Door Accessories. This classification applies to use on either Hollow Metal Fire Doors or Wood Fire Doors. These units may be used on doors of any rating. As a reminder, the Miscellaneous Fire Door Accessories (GVUX) section is defined by UL as: "Miscellaneous fire door accessories are intended in the individual Listings. The accessories have been investigated to determine that when installed in accordance with the manufacturer's instructions, the accessories do not adversely affect the fire rating of the fire door and/or fire door frames."

### Dead-Stop Templating:

For situations where a wall or similar obstruction is in place at an opening angle of 110° or less (e.g. doors that open back-to-back), dead stop templating should be used. This includes all Hold-Open, Friction and Stop-Only models, except when the "SE" option is used. The Dead Stop position is reached when the shock-absorbing spring is fully compressed, allowing an initial degree of opening of 5° to 7° less than the Dead Stop opening.

*Example: If the holder is templated for 100° Dead Stop, the door will hold open somewhere between 93° to 95°, and no further than 100°.*

*Note: Do not use dead-stop templating on the 450SE Series since there is no shock-absorbing spring.*

### Environmental Conditions:

To assure a long operating life for holders and stops, consider the environment where they will be used. Doors that open to the exterior of a building or are subject to corrosive conditions should have a holder constructed primarily of stainless steel, brass or bronze materials. For interior doors, steel material may be acceptable, although brass and bronze substrates will provide a more attractive architectural grade finish.

### Heavy-Use Applications:

Where doors and frames are subject to heavy use and abuse, a heavy-duty holder or stop should be considered. Also heavy-duty units should be considered on exterior doors subject to wind.

## Options

### Suffix J (Angle Jamb Bracket):

An additional option on the 450 Series is the Angle Jamb Bracket for hinge-side or flush transom mounting. The angle jamb bracket affixes to the standard jamb bracket. If ordered with the overhead add suffix J. If needed separately order 450J-Finish.

### Suffix SHIM (Blade Stop Shims):

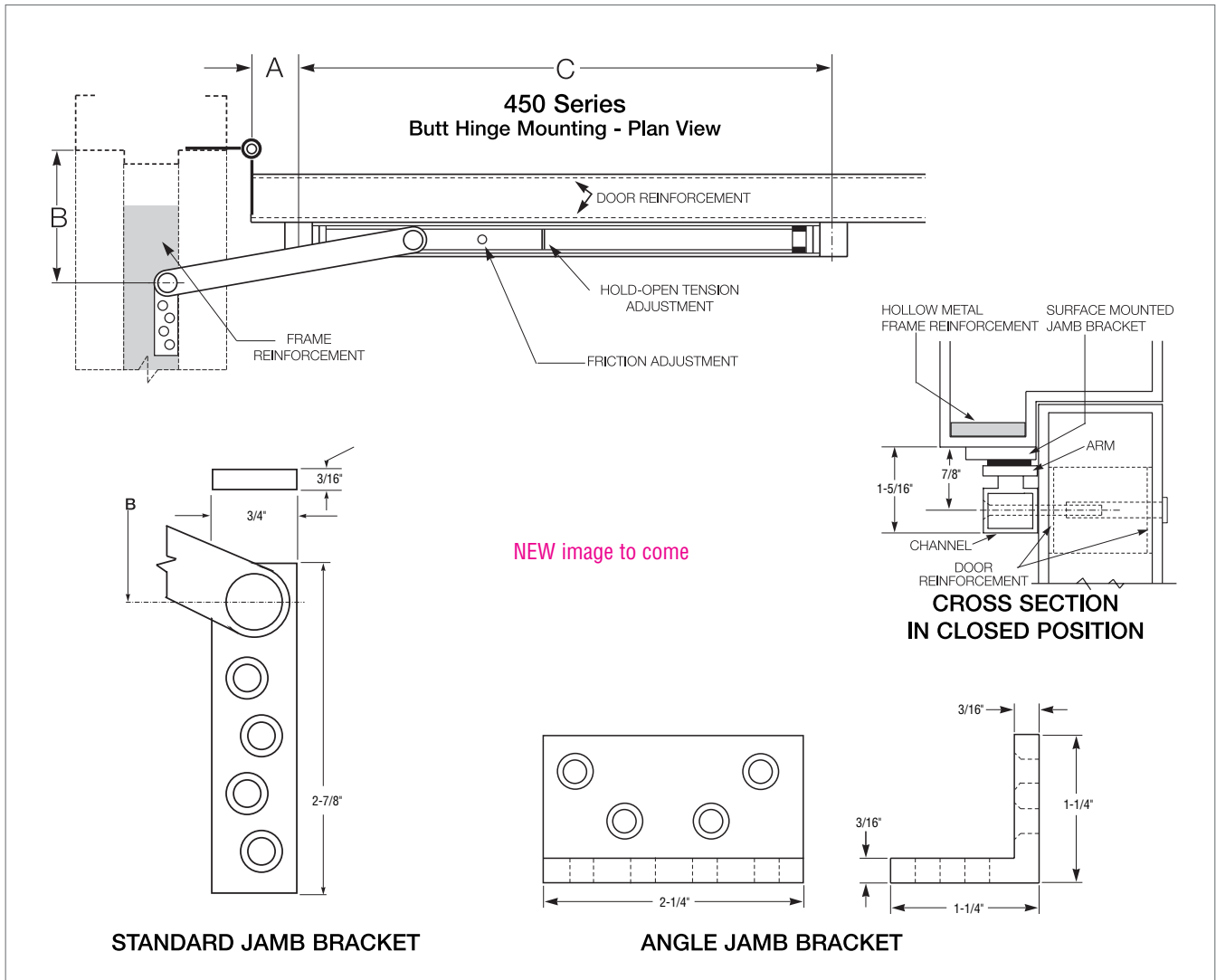
Shim kits are available in 3 sizes:  
450 SHIM1 is a 3/16" Shim Kit  
450 SHIM2 is a 3/8" Shim Kit  
450 SHIM3 is a 9/16" Shim Kit

If ordered with overhead, add suffix SHIM (1, 2 or 3). If needed separately order 450SHIM (1, 2 or 3)-Finish.

### Suffix SOC (Pin-in-Socket Security Screw Package):

A screw package with pin-in-socket screws for mounting the channel to the door and the jamb bracket to the frame is provided instead of the standard screw package.

# 450 Series Surface Overhead Door Holders/Stops



| SIZE | BUTTS/OFFSET PIVOTS |           |           |          | CENTER HUNG  |           |           |          |
|------|---------------------|-----------|-----------|----------|--------------|-----------|-----------|----------|
|      | DOOR OPENING        | STOP ONLY | HOLD OPEN | FRICTION | DOOR OPENING | STOP ONLY | HOLD OPEN | FRICTION |
| 1    | 18"-23"             | 451S      | 451H      | 451F     | 23-1/16"-27" | 451S      | 451H      | 451F     |
| 2    | 23-1/16"-27"        | 452S      | 452H      | 452F     | 27-1/16"-33" | 452S      | 452H      | 452F     |
| 3    | 27-1/16"-33"        | 453S      | 453H      | 453F     | 33-1/16"-39" | 453S      | 453H      | 453F     |
| 4    | 33-1/16"-39"        | 454S      | 454H      | 454F     | 39-1/16"-45" | 454S      | 454H      | 454F     |
| 5    | 39-1/16"-45"        | 455S      | 455H      | 455F     | 45-1/16"-51" | 455S      | 455H      | 455F     |

Note: This chart illustrates the most common types of hinging and door opening sizes. For unusual door details, contact Glynn-Johnson for availability.

| G-J Model | BHMA*  | FED. Spec. |
|-----------|--------|------------|
| 451-455 H | C05511 | 1166       |
| 451-455 S | C05541 | 1166A      |
| 451-455 F | C05531 | 1164       |

\* First numeral (0) designates optional material.  
 To specify:  
 Brass/bronze material, change 0 to 1 (i.e. C15511)  
 Stainless Steel Material, change 0 to 5 (i.e. C55511)  
 Steel material, change 0 to 8 (i.e. C85511)

The template information on this page is for reference only and is not intended to serve as an installation template. For complete dimensional information, refer to Glynn-Johnson template book.



## How to Order

**45**      **1**      **H**      **-**      **US32D**      **-**      **J**

### Overhead Series:

**45**

### Size (Door Opening Using Butts or Offset Pivots):

- 1** (18"-23")
- 2** (23-1/16"-27")
- 3** (27-1/16"-33")
- 4** (33-1/16"-39")
- 5** (39-1/16"-45")

### Function:

- H** Hold-Open
- F** Friction Hold-Open
- S** Stop-Only
- SE** Special Stop-Only

### Finishes:

- US3** Polished Brass
- US4** Satin Brass
- US10** Satin Bronze
- US10B** Oil Rubbed Bronze
- US32** Polished Stainless Steel
- US32D** Satin Stainless Steel
- SP4** Powder Coat Brass
- SP10** Powder Coat Bronze
- SP28** Powder Coat Aluminum
- SP313** Powder Coat Dark Bronze
- SPBLK** Powder Coat Black
- 652** Chrome-like Coating

### Options:

- J** Angle Jamb Bracket
- SHIM** Blade Stop Shims—
  - SHIM1-3/16" Kit
  - SHIM2-3/8" Kit
  - SHIM3-9/16" Kit
- SOC** Pin-in-Socket Security Screws

# Holder/Release Smoke Detector

---



## Series 280 SENSAGUARD™

Glynn-Johnson provides a holder/release smoke detector designed to allow fire doors to remain open for easy passage, while releasing doors in an emergency. The SensaGuard™ Series 280 features an internal ionization-type smoke detector, powered by a single nine-volt battery. Its fail-safe operation automatically releases the door when battery power drops below 7.2 volts.

### Safe and Dependable

- Fail Safe Operation
- Battery Operated
- Automatic Release when Battery Power Drops

### Unmatched Convenience

- Easy to Install
- Self-contained
- Adjustable Hold-Open
- Stand-Alone Detector/Holder

### UL Listed

- Fail Safe Electronics

### Ideal for a variety of uses, including:

- Office building corridors
- Factories
- Schools
- Hospitals
- Nursing home patient rooms
- Multifamily residential units

### Adjustable Hold-Open

- SENSAGUARD™ will hold the door open at a single, adjustable position:
  - Pull Side Mounted adjustable from 90° to 130°
  - Push Side Mounted adjustable from 90° to 180°
- Adjustable Hold-Open force

### NFPA 101, Life Safety Code

- 5–2.1.8 Self Closing Devices Exception C, 2

### Finishes

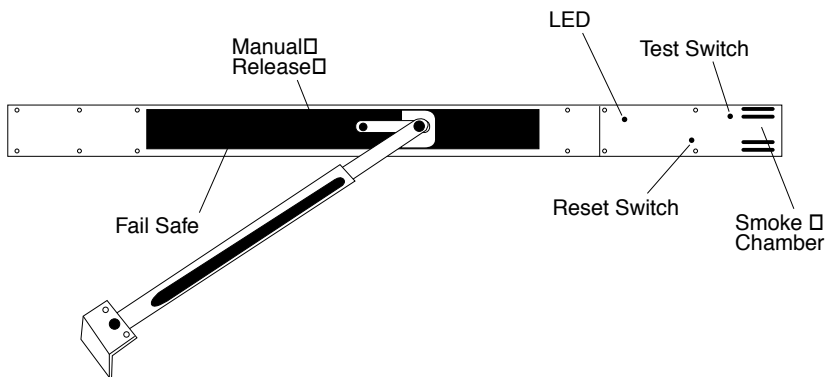
- US28 Clear Anodized Aluminum
- 313AN Dark Bronze Anodized Aluminum

### Dimensions

- Channel 27" Long x 1-3/8" Tall x 2-1/8" Depth
- Angle Bracket 2-3/4" Wide x 1" Tall x 1-1/2" Depth

### Battery Requirement

- Unit is furnished with battery.
- To replace battery, use a 9V Alkaline Eveready Energizer® #522 battery or Duracell® #MN1604. Do not substitute.



**Test Switch**

Allows testing for proper operation of the release mechanism.

**Reset Switch**

Used to reset the unit after testing or smoke detection.

**Smoke Chamber**

An ionization chamber that when smoke or particles of combustion are detected will release the door.

**LED Indicator**

Monitors the battery condition and signals status every 40 seconds.

**Fail Safe Operation**

Releases the hold-open when battery is below 7.2 volts or if battery or battery cover is removed.

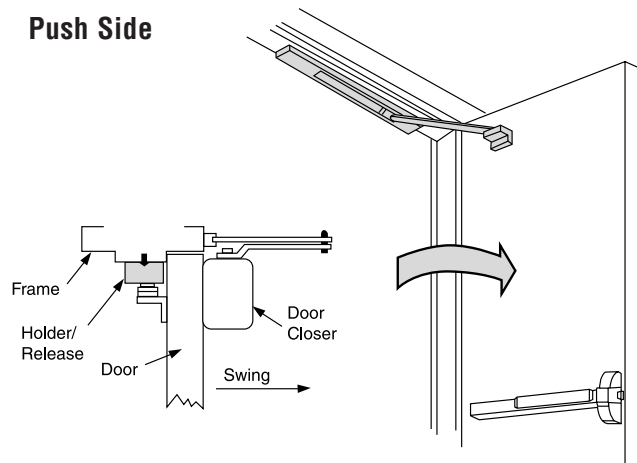
**Manual Release**

Allows the door to close when pulled to the closed position. The unit will reset when the door is returned to hold-open position.

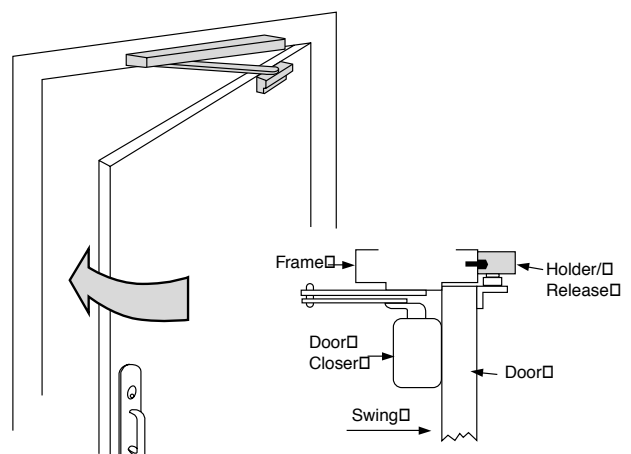
**Easy to Install**

SensaGuard Holder/Release is easy to install. The unit surface mounts to the top of the door frame and the arm attaches to the door. The unit is battery operated, self-contained and requires no external wiring.

**Push Side**



**Pull Side**







Ingersoll Rand's Security Technologies Sector is a leading global provider of products and services that make environments safe, secure and productive. The Sector's market-leading products include electronic and biometric access control systems; time and attendance and personnel scheduling systems; mechanical locks and portable security, door closers and exit devices, steel doors and frames, architectural hardware and technologies and services for global security markets.

[www.irsecuritytechnologies.com](http://www.irsecuritytechnologies.com)

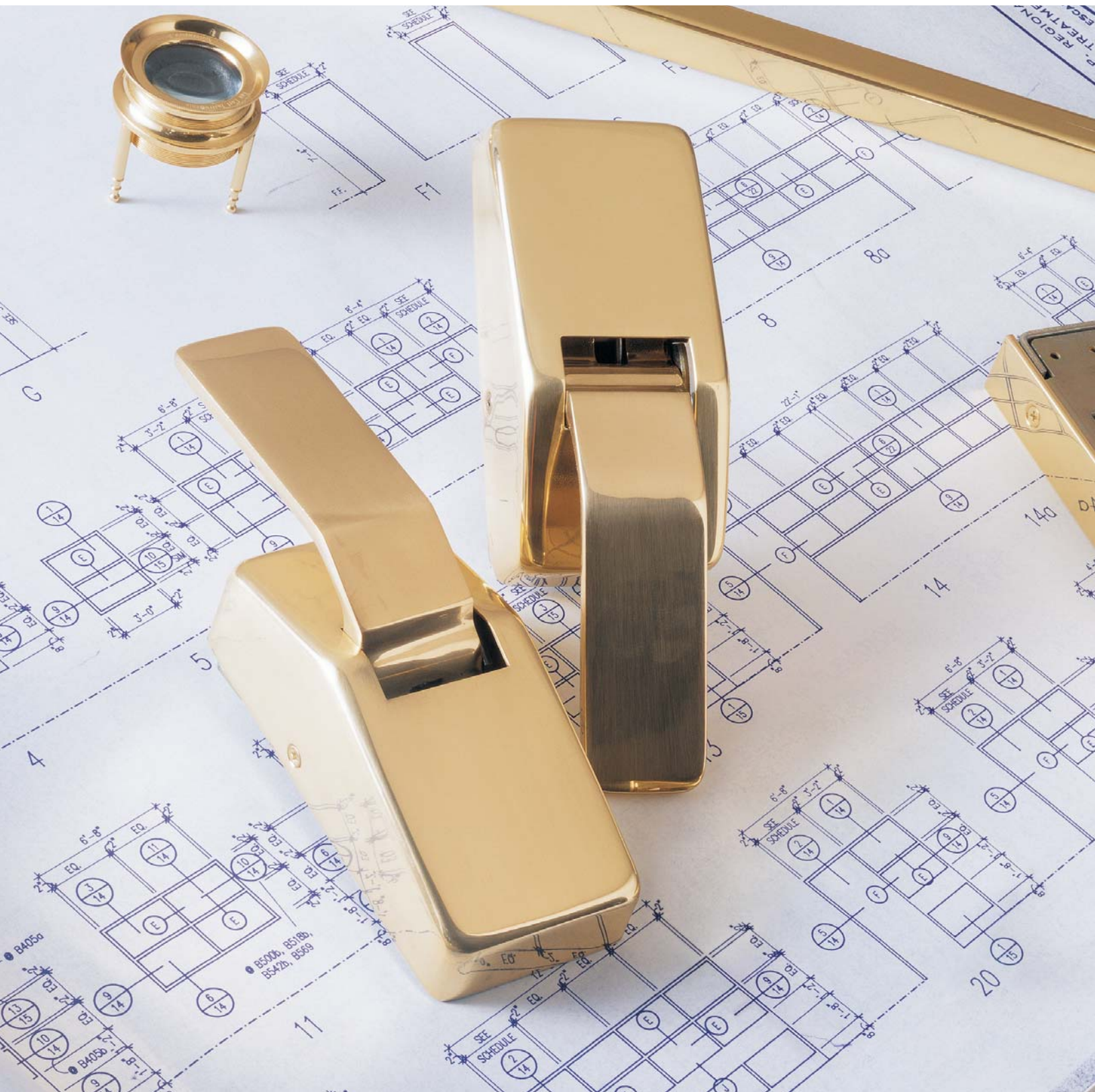
# GLYNN-JOHNSON

## Push/Pull Latches



# Quality hardware for superior door control

---



Glynn-Johnson has been providing the highest quality door control hardware for 75 years. Glynn-Johnson uses only state-of-the-art technology and manufacturing processes. Glynn-Johnson manufactures a full line of push/pull latches, including the standard passage set, a privacy set and a version that incorporates a mortise lock. The mortise lock unit incorporates the Schlage® 9000 Series mortise lock. Glynn-Johnson also manufactures a full line of overhead door holders. These products were designed to meet the requirements of hardware specifiers delivering consistent quality and exceptional performance. And they are offered in a variety of finishes and configurations, to meet the most demanding door control applications. For specific product information, or to find out more about the company, call Glynn-Johnson Customer Service at 1-800-525-0336.

## Index

|                               |      |
|-------------------------------|------|
| Standard Function – HL6       | 4-5  |
| Privacy Function – PL7 or PL8 | 6-7  |
| Mortise Lock Function – HL6   | 8-11 |
| Engraving Guide               | 12   |

## Finishes

| Finishes | Base Material         | Description              |
|----------|-----------------------|--------------------------|
| US3      | Brass                 | Polished Brass           |
| US4      | Brass                 | Satin Brass              |
| US10     | Brass                 | Satin Bronze             |
| US10B    | Brass                 | Oil Rubbed Bronze        |
| US26     | Zinc (Brass Optional) | Polished Chrome          |
| US26D    | Zinc (Brass Optional) | Satin Chrome             |
| US32     | Stainless Steel       | Polished Stainless Steel |
| US32D    | Stainless Steel       | Satin Stainless Steel    |

# Push/Pull Latch

---

## Glynn-Johnson HL6

Glynn-Johnson offers a complete line of door hardware, providing solutions for the most complex door control problems. The HL6 Push/Pull Latch offers versatility and durability for commercial and institutional settings. These models are designed for commercial and institutional doors up to 1-3/4", including fire doors. For doors over 1-3/4" please specify door thickness.

### Six Mounting Positions:

- Increases versatility
- Suits a wide range of applications
- Mounts in any of six positions
  - Handles down
  - Handles up
  - One handle up, one handle down (either push or pull)
  - Handles point away from latch
  - Handles point toward latch

### Four Backset Sizes:

- 2-3/4"
- 3-3/4"
- 5"
- 7"

### Two Strike Sizes:

- Standard – 2-3/4"
- ASA – 4-7/8"

### Seven Options:

- B—Brass Base Material for US26 and US26D Finishes
- E—Engraved Handles – “PUSH” and “PULL”
- EN—Entrance Only Latch
- EO—Exit Only Latch
- L—Lead Lined
- RL—Roller Latch Conversion Kit
- SOC—Pin-in-Socket Security Screws

### Finishes:

US3, US4, US10, US10B, US26, US26D, US32, US32D

### Unmatched Convenience:

- Non-Handed
- Variable mounting positions
- No fusible link to fail
- UL listed for all labeled metal or wood doors

## Application Information

The sleek design has a short throw angle, allowing the door to be opened with an easy push or pull action, even when hands are not free.

For applications with the handles pointing towards the latch edge of the door, the 7" backset must be used. All other handle orientations may use any backset.

## Options

### Suffix B (Brass Base-Material)

The option of using brass handles and covers instead of the standard zinc for the US26 and US26D finishes.

### Suffix E (Engraved Handles)

Adds engraving to the handles “PUSH” and “PULL”. See page 12 for engraving guide. Engraved handles are not recommended for humid applications.

### Suffix EN (Entrance Only)

The Entrance Only latch is appropriate for doors where only one side is used for entry. Order HL6EN for applications where no exit is required.

### Suffix EO (Exit Only)

The Exit Only latch is appropriate for doors where only one side is used for exit. Order HL6EO for applications where the security of no entry is required.

### Suffix L (Lead Lining)

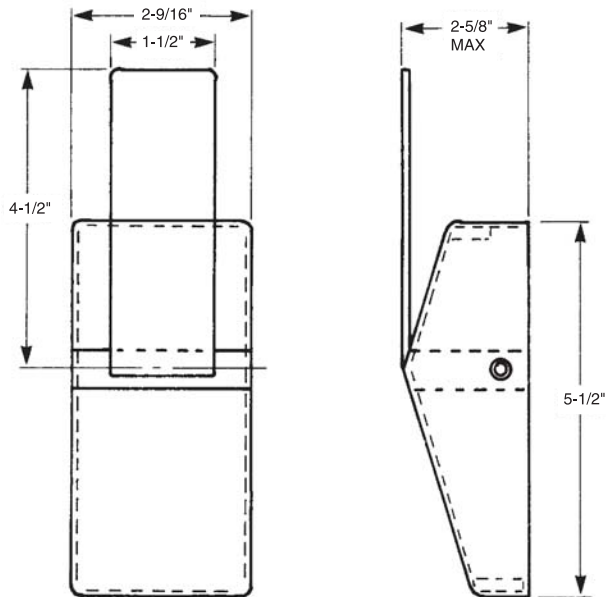
The lead lining kit provides lead components to cover cut-outs made in lead lined doors.

### Suffix RL (Roller Latch Conversion)

The Push/Pull Roller Latch Conversion Kit is used to convert existing Glynn Johnson 30 roller latches to meet current federal standard requirements. Minimal alterations are required, to the door edge.

### Suffix SOC (Pin-in-Socket Security Screws)

The option of having pin-in-socket security screws instead of standard screws. Pin-in-Socket screws are provided for the strike, latch bolt and covers.



## How to Order

**HL6**

**Options:**

- B** Brass Base Material on US26 and US26D
- E** (1, 2, 3, 4, 5 or 6) – Engraved handles
- EN** Entrance Only
- EO** Exit Only
- L** Lead Lined
- RL** Roller Latch Conversion Kit
- SOC** Pin-in-Socket Security Screws

**Finishes:**

- US3, US4, US10, US10B, US26, US26D, US32, US32D

**Backset:**

- 2** 2-3/4"
- 3** 3-3/4"
- 5** 5"
- 7** 7"

**Strike:**

- Blank** Standard Strike
- A** ASA Strike

**Door Thickness:**

- Blank** 1-3/4" door, specify other thickness

# Privacy Function Push/Pull Latch

---

## Glynn Johnson PL7 / PL8

Glynn Johnson offers a wide range of door hardware to provide solutions for the most complex door control problems. The PL7 and PL8 Privacy Function Push/Pull latches provide the versatility and durability needed for commercial and institutional doors up to 1-3/4", including fire doors.

### Two Models:

- PL7 for push-side thumbturn
- PL8 for pull-side thumbturn

### Three Mounting Positions:

- Increased versatility
- Mount in any of three positions
  - Handles down
  - Handles up
  - Handles point towards latch

### Four Sizes of Backsets:

- 2-3/4"
- 3-3/4"
- 5"
- 7"

### Two Strike Sizes:

- Standard—2-3/4"
- ASA—4-7/8"

### Five Options:

- B—Brass Base Material for US26 and US26D Finishes
- E—Engraved Handles – “PUSH” and “PULL”
- L—Lead lined
- RL—Roller Latch Conversion Kit
- SOC—Pin-in-Socket Security Screws

### Finishes:

US3, US4, US10, US10B, US26, US26D, US32, US32D

### Unmatched Convenience:

- Non-Handed
- Variable mounting positions
- No fusible link to fail

## Application Information

The patented design is ideal for restrooms or patient bathrooms. It combines all the features and functions of the popular HL6 Push/Pull Latch, with the added convenience of privacy actuated by a thumbturn.

The sleek design has a short throw angle, allowing the door to be opened with an easy push or pull action, even when hands are not free. The release on opposite side provides for access in case of emergency.

For applications with the handles pointing towards the latch edge of the door, the 7" backset must be used. Both handles must point in the same direction. When both handles point up or down, any backset may be used.

## Options

### Suffix B (Brass Base-Material)

The option of using brass handles and covers instead of the standard zinc for the US26 and US26D finishes.

### Suffix E (Engraved Handles)

Adds engraving to the handles “PUSH” and “PULL”. See page 12 for engraving guide. Engraved handles are not recommended for humid applications.

### Suffix L (Lead Lining)

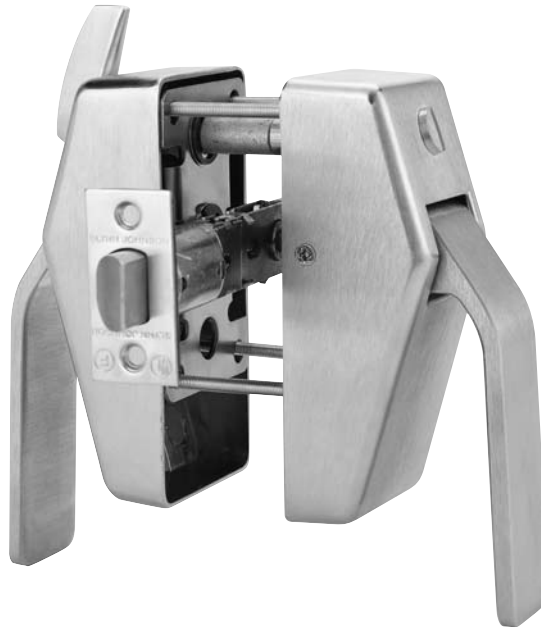
The lead lining kit provides lead components to cover cut-outs made in lead lined doors.

### Suffix RL (Roller Latch Conversion)

The Push/Pull Roller Latch Conversion Kit is used to convert existing Glynn Johnson 30 roller latches to meet current federal standard requirements. Minimal alterations are required, to the door edge.

### Suffix SOC (Pin-in-Socket Security Screws)

The option of having pin-in-socket security screws instead of standard screws. Pin-in-Socket screws are provided for the strike, latch bolt and covers.



## How to Order

PL - - - - -

**Model:**

- 7 Push-Side Thumbturn
- 8 Pull-Side Thumbturn

**Options:**

- B** Brass Base Material on US26 and US26D
- E** (2, 3, 4 or 6)—Engraved handles
- L** Lead Lined
- RL** Roller Latch Conversion Kit
- SOC** Pin-in-Socket Security Screws

**Finishes:**

US3, US4, US10, US10B, US26, US26D, US32, US32D

**Backset:**

- 2 2-3/4"
- 3 3-3/4"
- 5 5"
- 7 7"

**Strike:**

- Blank** Standard Strike
- A** ASA Strike

**Door Thickness:**

- Blank** 1-3/4" door, specify other thickness



# Combination Push/Pull Latch and Mortise Lock

## Mortise Lock Option

The HL6 Push/Pull Latch is available with a Schlage® L series heavy-duty mortise lock included. Mortise lock combination models are furnished in 2-3/4" backset.

### Five Mounting Positions:

- Increased versatility
- Mount in five positions
  - Handles down
  - Handles up
  - One handle up, one handle down (either push or pull)
  - Handles point away from latch
- Suits a wide range of applications

### Cylinder Operation:

Where cylinders are required, Glynn Johnson will supply locks less cylinders. An 1-1/8" cylinder with a cloverleaf cam is required. Handle on cylinder side must be mounted in down position, if vertical mounting is used.

### Thumbturn Operation:

Where thumbturn operations are required, the handle must be mounted in horizontal position. Standard thumbturn is provided.

### Mortise Lock Retrofit Kit:

Kits are available to retrofit existing installations and they include all necessary components. 9000RK is specified for the lock function. If Schlage mortise locks are already installed, the set can be easily converted to Push/Pull operation with minor modifications to door.

### Mortise Lock Functions Available

For a full list of standard and special lock functions available see pages 10 and 11.

### Six Options:

- B—Brass Base Material for US26 and US260 Finishes
- E—Engraved Handles – “PUSH” and “PULL”
- EN—Entrance Only Latch
- EO—Exit Only Latch
- L—Lead Lined
- SOC—Pin-in-Socket Security Screws

### Finishes:

US3, US4, US10, US10B, US26, US26D, US32D

### Unmatched Convenience:

- Non-Handed
- Variable mounting positions
- UL listed for all labeled metal or wood doors

## Application Information

The unit combines the features and convenience of the HL6 Push/Pull operation with the durability of the heavy-duty mortise lock. The sleek design has a short throw angle, allowing the door to be opened with an easy push or pull action, even when hands are not free. The mortise lock offers many lock functions, see page 10 and 11 for the specific functions available. The only handle orientation not available would be handles pointing towards the latch edge of the door.

## Options

### Suffix B (Brass Base-Material)

The option of using brass handles and covers instead of the standard zinc for the US26 and US26D finishes.

### Suffix E (Engraved Handles)

Adds engraving to the handles “push” and “pull”. See page 12 for engraving guide. Engraved handles are not recommended for humid applications.

### Suffix EN (Entrance Only)

This Entrance Only latch is appropriate for doors where only one side is used for entry. Order HL6EN for applications where no exit is required.

### Suffix EO (Exit Only)

This Exit Only latch is appropriate for doors where only one side is used for exit. Order HL6EO for applications where the security of no entry is required.

### Suffix L (Lead Lining)

The lead lining kit provides lead components to cover cut-outs made in lead lined doors.

### Suffix SOC (Pin-in-Socket Security Screws)

The option of having pin-in-socket security screws instead of standard screws. Pin-in-Socket screws are provided for the strike, latch bolt and covers.



## How to Order

**HL6** - - - -

**Options:**

- B** Brass Base Material on US26 and US26D
- E** (1, 2, 3, 4, 5 or 6)— Engraved handles
- EN** Entrance Only
- EO** Exit Only
- L** Lead Lined
- SOC** Pin-in-Socket Security Screws

**Lock Function:** See pages 10 and 11  
9000RK Retrofit Kit

**Finishes:**

US3, US4, US10, US10B, US26, US26D, US32D

**Door Thickness:**

**Blank** 1-3/4" door, specify other thickness

# Mortise Lock Functions Available

---

## Standard Lock Functions

### Lock Number – ANSI Functions – Description

#### 9010 – F01 – Passage Latch

Latchbolt retracted by handle from either side at all times.

#### 9040 – F22 – Bath/Bedroom Privacy Lock

Latchbolt retracted by handle from either side unless outside is locked by inside thumbturn. Activating inside handle or closing door unlocks outside handle. To unlock from outside, remove emergency button, insert emergency turn in access hole and rotate.

#### 9050 – F04 – Office/Inner Entry Lock

Latchbolt retracted by handle from either side unless outside is made inoperative by key outside or by turning inside thumbturn. When outside is locked, latchbolt is retracted by key outside or by handle inside. Outside handle remains locked until thumbturn is turned to the unlocked position or outside key is unlocked. Auxiliary latch deadlocks latchbolt when door is closed.

#### 9060 – F09 – Apartment Lock

Latchbolt retracted by handle from either side unless outside is locked by key from inside. When locked, latchbolt retracted by key outside or handle inside. Auxiliary latch deadlocks when door is closed.

#### 9070 – F05 – Classroom Lock

Latchbolt retracted by handle from either side unless outside is locked by key. Unlocked from outside by key. Inside handle always free for immediate exit. Auxiliary latch deadlocks latchbolt when door is closed.

#### 9080 – F07 – Storeroom Lock

Latchbolt retracted by key outside or by handle inside. Outside handle always inoperative. Auxiliary latch deadlocks latchbolt when door is closed.

#### 9080EL – Electrically Locked (Fail Safe)

Outside handle continuously locked by 24V AC or DC. Latch bolt retracted by key outside or handle inside. Switch or power failure allows outside handle to retract latchbolt. Auxiliary latch deadlocks latchbolt when door is closed. Inside handle always free for immediate exit.

#### 9080EU – Electrically Unlocked (Fail Secure)

Outside handle unlocked by 24V AC or DC. Latchbolt retracted by key outside or handle inside. Auxiliary latch deadlocks latchbolt when door is closed. Inside handle always free for immediate exit.

#### 9082 – Institution Lock

Latchbolt retracted by key from either side. Handle on both sides always inoperative. Auxiliary latch deadlocks latchbolt when door is closed.

#### 9453 – F20 – Entrance Lock

Latchbolt retracted by handle from either side unless outside is locked by 20 rotation of thumbturn. When locked, key outside or handle inside retracts deadbolt and latchbolt simultaneously. Outside handle remains locked until thumbturn is restored to vertical position. Throwing deadbolt automatically locks outside handle. Auxiliary latch deadlocks latchbolt when door is closed.

#### 9456 – F13 – Corridor Lock

Latchbolt retracted by handle from either side. Deadbolt thrown or retracted by key outside or inside thumbturn. Throwing deadbolt locks outside handle. Activating inside handle simultaneously retracts deadbolt and latchbolt, and unlocks outside handle.

#### 9465 – Closet/Storeroom Lock

Latchbolt retracted by handle from either side. Deadbolt extended or retracted by key outside.

#### 9466 – F14 – Store/Utility Room Lock

Latchbolt retracted by handle from either side. Deadbolt thrown or retracted by key from either side.

#### 9473 – F21 – Dormitory/Bedroom Lock

Latchbolt retracted by handle from either side. Deadbolt thrown or retracted by key outside or thumbturn inside.

#### 9485 – Hotel Lock

Latchbolt retracted by key outside or by handle inside. Outside handle always fixed. Deadbolt thrown or retracted by inside thumbturn. When deadbolt is thrown, all keys become inoperative except emergency or display keys. Activating handle retracts both deadbolt and latchbolt simultaneously. Auxiliary latch deadlocks latchbolt when door is closed.

## Special Lock Functions

### Lock Number – Description

#### **9040 w/XL11-446 – Privacy with Thumbturns both Sides**

Latchbolt retracted by handle from either side unless outside is locked by inside or outside thumbturn. Operating inside handle, closing door or rotating either thumbturn unlocks outside handle.

#### **9044 w/XL11-867 – Privacy with Coin Turn Outside**

Latchbolt retracted by handle from either side unless outside is locked by inside thumbturn or outside coin turn. Operating inside handle, closing door, rotating inside thumbturn or outside coin turn unlocks outside handle.

#### **9056 w/XL11-776 – 9050 with Simultaneous Retraction**

Latchbolt retracted by handle from either side unless outside is made inoperative by key outside or by rotating inside thumbturn. When outside is locked, latchbolt is retracted by key outside or by handle inside. Activating inside handle simultaneously retracts latchbolt and unlocks outside handle. Auxiliary latch deadlocks latchbolt when door is closed.

#### **9080EL w/XL11-807 – Request to Exit (RX) with Electrically Locked (Fail Safe)**

Outside handle continuously locked by 24V AC or DC. Latch bolt retracted by key outside or handle inside. Switch or power failure allows outside handle to retract latchbolt. Auxiliary latch deadlocks latchbolt when door is closed. Inside handle always free for immediately exit. In addition, a micro switch positioned inside the lock case monitors the retractor crank, and is actuated when handle is activated.

#### **9080EU w/XL11-807 – Request to Exit (RX) with Electrically Unlocked (Fail Secure)**

Outside handle unlocked by 24V AC or DC. Latchbolt retracted by key outside or handle inside. Auxiliary latch deadlocks latchbolt when door is closed. Inside handle always free for immediate exit. In addition, a micro switch positioned inside the lock case monitors the retractor crank, and is actuated when handle is activated.

#### **9082EL w/XL11-452 – Electrically Locked (Fail Safe)**

Outside and inside handle continually locked with 24V AC or DC. Latchbolt retracted by key either side. Switch or power failure allows outside and inside handle to retract latchbolt. Auxiliary latch deadlocks latchbolt when door is closed.

#### **9082EU w/XL11-452 – Electrically Unlocked (Fail Safe)**

Outside and inside handle unlocked with 24V AC or DC. Latchbolt retracted by key either side. Auxiliary latch deadlocks latchbolt when door is closed.

#### **9440 w/XL761 – Privacy with Deadbolt**

Latchbolt retracted by handle from either side. Deadbolt thrown or retracted by inside thumbturn. Throwing deadbolt locks outside handle. Activating inside handle simultaneously retracts deadbolt and latchbolt, and unlocks outside handle. To unlock from outside, remove emergency button, insert emergency turn in access hole and rotate.

#### **9444 w/XL11-867 – Privacy with Deadbolt and Coin Turn Outside**

Latchbolt retracted by handle from either side. Deadbolt thrown or retracted by inside thumbturn or outside coin turn. Throwing deadbolt locks outside handle. Activating inside handle simultaneously retracts deadbolt and latchbolt, and unlocks outside handle. Rotating outside coin turn retracts deadbolt and unlocks outside handle.

#### **9460 w/XL11-886 – Deadbolt with Retraction by Inside Handle**

Deadbolt thrown or retracted by key outside or thumbturn inside. Outside handle always fixed. Inside handle active when deadbolt is retracted. Activating inside handle will retract deadbolt.

#### **9462 w/XL11-886 – Deadbolt with Retraction by Inside Handle**

Deadbolt thrown or retracted by key from either side. Outside handle always fixed. Inside handle active when deadbolt is retracted. Activating inside handle will retract deadbolt.

#### **9464 w/XL11-886 – Deadbolt with Retraction by Inside Handle**

Deadbolt thrown or retracted by key from one side. Outside handle always fixed. Inside handle active when deadbolt is retracted. Activating inside handle will retract deadbolt.

#### **9480 w/XL11-591 – Storeroom Lock with Deadbolt**

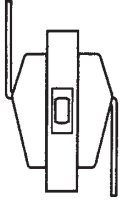
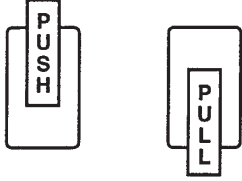
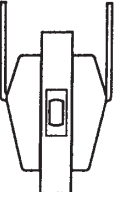
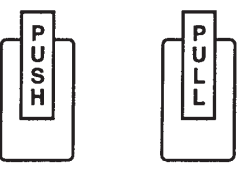
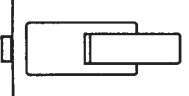
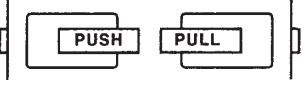

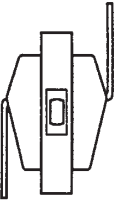
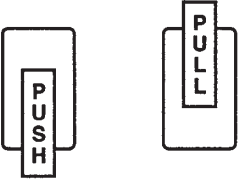
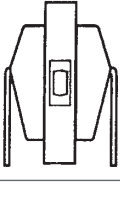
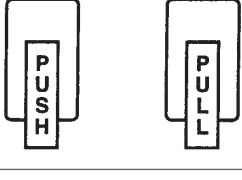
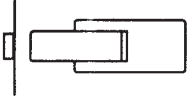


Latchbolt retracted by key outside or by handle inside. Outside handle always fixed. Deadbolt thrown or retracted by key outside or thumbturn inside. Activating inside handle simultaneously retracts both deadbolt and latchbolt. Auxiliary latch deadlocks latchbolt when door is closed.

#### **9482 w/XL11-543 – Institution Lock with Deadbolt**

Latchbolt retracted by key from either side. Handle on both sides always inoperative. Deadbolt thrown or retracted by key either side. Auxiliary latch deadlocks latchbolt when door is closed.

# Push/Pull Latches

## Engraving Guide

|   |   | Mounting Position   | To Order, Specify |
|---|---|---|-------------------|
|    |    | <b>Push Up, Pull Down</b><br><ul style="list-style-type: none"> <li>Any backset</li> <li>Non-handed</li> <li>No PL7 or PL8</li> </ul> | E1                |
|    |    | <b>Push Up, Pull Up</b><br><ul style="list-style-type: none"> <li>Any backset</li> <li>Non-handed</li> </ul>                          | E2                |
|   |    | <b>Horizontal Engraving</b><br><ul style="list-style-type: none"> <li>Any backset</li> <li>RH</li> <li>No PL7 or PL8</li> </ul>       | E3                |
|   |  | <b>Horizontal Engraving</b><br><ul style="list-style-type: none"> <li>Any backset</li> <li>LH</li> <li>No PL7 or PL8</li> </ul>       | E4                |
|  |  | <b>Push Down, Pull Up</b><br><ul style="list-style-type: none"> <li>Any backset</li> <li>Non-handed</li> <li>No PL7 or PL8</li> </ul> | E5                |
|  |  | <b>Push Down, Pull Down</b><br><ul style="list-style-type: none"> <li>Any backset</li> <li>Non-handed</li> </ul>                      | E6                |
|  |  | <b>Horizontal Engraving</b><br><ul style="list-style-type: none"> <li>7" backset only</li> <li>RH</li> <li>No mortise lock</li> </ul> | E4                |
|   |  | <b>Horizontal Engraving</b><br><ul style="list-style-type: none"> <li>7" backset only</li> <li>LH</li> <li>No mortise lock</li> </ul> | E3                |

# Notes

---

# Notes

---





Information contained in this catalog is subject to change without prior notice. Contact Glynn Johnson Customer Service with questions or comments.



©2002 Ingersoll-Rand Form GJ-GN-1031 Rev.07/02 Printed in USA

**Glynn-Johnson**  
2720 Tobey Drive  
Indianapolis, IN 46219  
877-613-8766  
877-424-8494 Fax  
888-371-7331 Technical Support

An  **Ingersoll-Rand** business