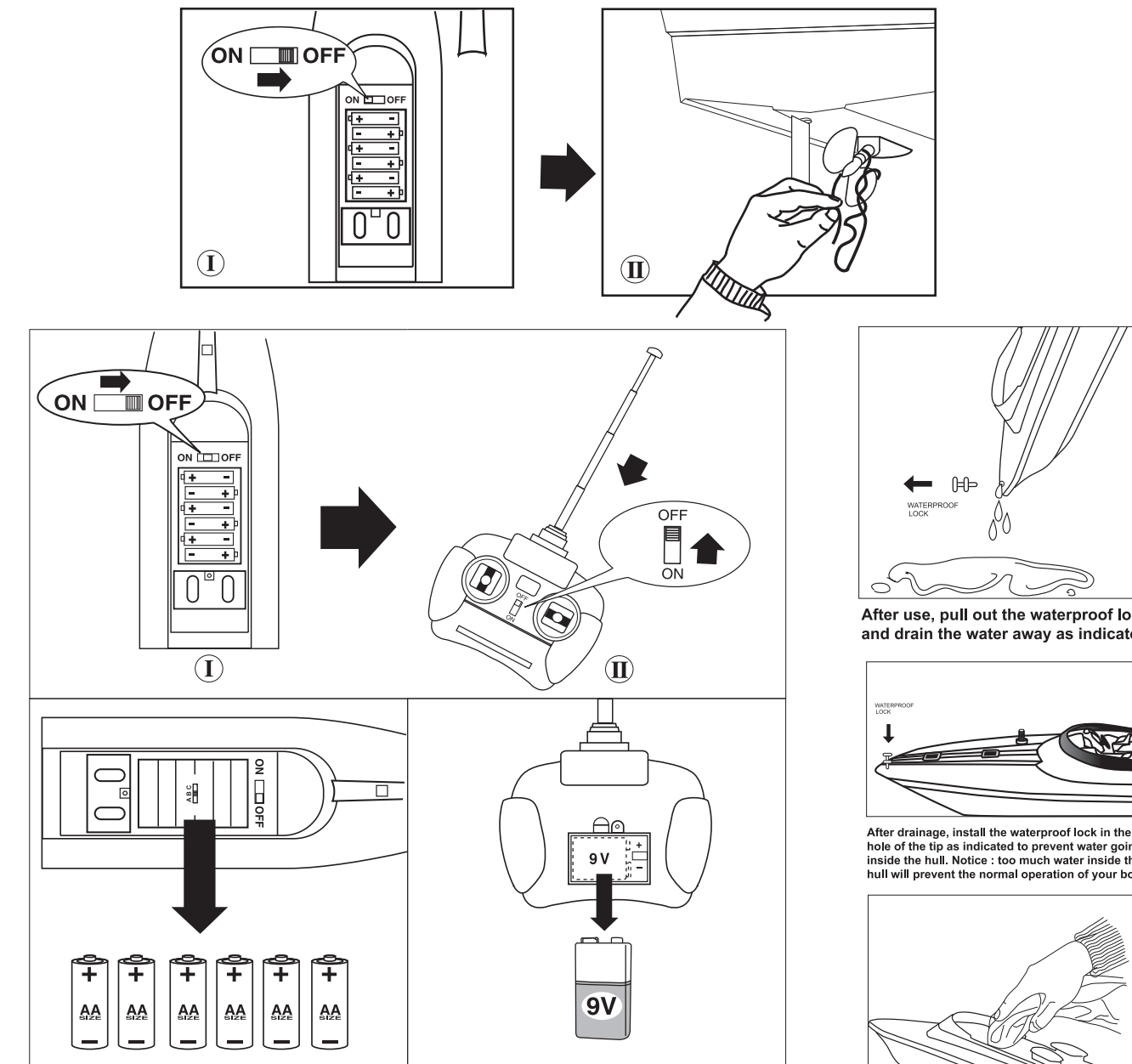


IMPORTANT NOTES:

Turn off the switch of the boat before trying to clean things attached to the propeller.



After sailing, switch off the receiver on the boat and then switch off the transmitter. Take out all the batteries from the transmitter and receiver.

- IMPORTANT NOTES:**
- BEFORE USING THIS PRODUCT, YOU MUST INSERT THE CORRECT BATTERIES IN THE CORRECT POLARITY AND THEN CLOSE THE BATTERY COMPARTMENT COVER AND TIGHTEN THE SCREW.
 - AFTER USING THIS PRODUCT, PLEASE WIPE THE BATTERY COMPARTMENT COVER DRY BEFORE OPEN IT TO AVOID WATER COMES INTO THE BATTERY COMPARTMENT.
 - WHEN YOU ARE NOT USING THIS PRODUCT, PLEASE REMOVE ALL BATTERIES FROM THE BATTERY COMPARTMENT AND USE A CLEAN DRY CLOTH TO WIPE THE BATTERY COMPARTMENT AND CONDUCTOR DRY.
 - THE TOY IS TO BE OPERATED IN WATER WHEN FULLY ASSEMBLED IN ACCORDANCE WITH THE INSTRUCTION.

FCC STATEMENT

- This device complies with Part 15 of the FCC Rules. Operation is subject to the following two conditions:
 - (1) This device may not cause harmful interference.
 - (2) This device must accept any interference received, including interference that may cause undesired operation.
- Changes or modifications not expressly approved by the party responsible for compliance could void the user's authority to operate the equipment.

4

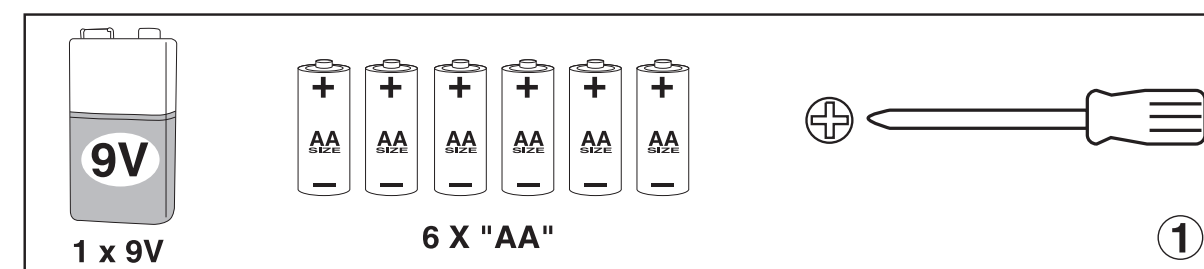
R/C SPEED BOAT INSTRUCTION MANUAL

ITEM NO. 9303

In order to get the best performance of your speed boat, please read carefully this instruction before use.

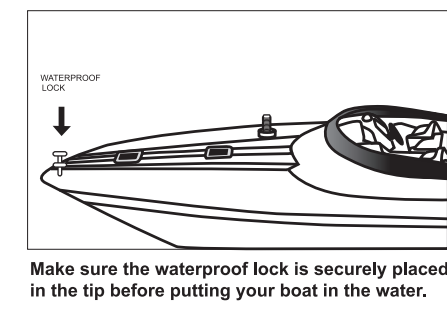
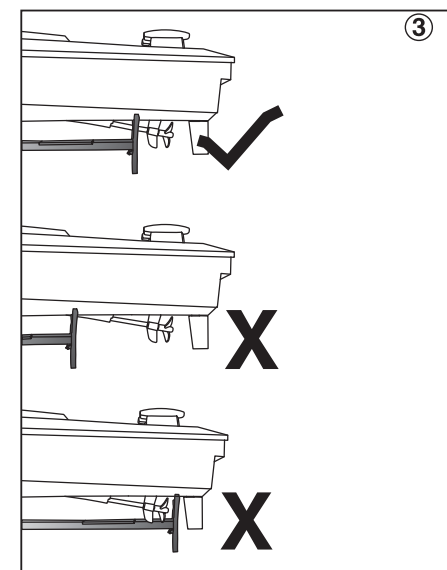
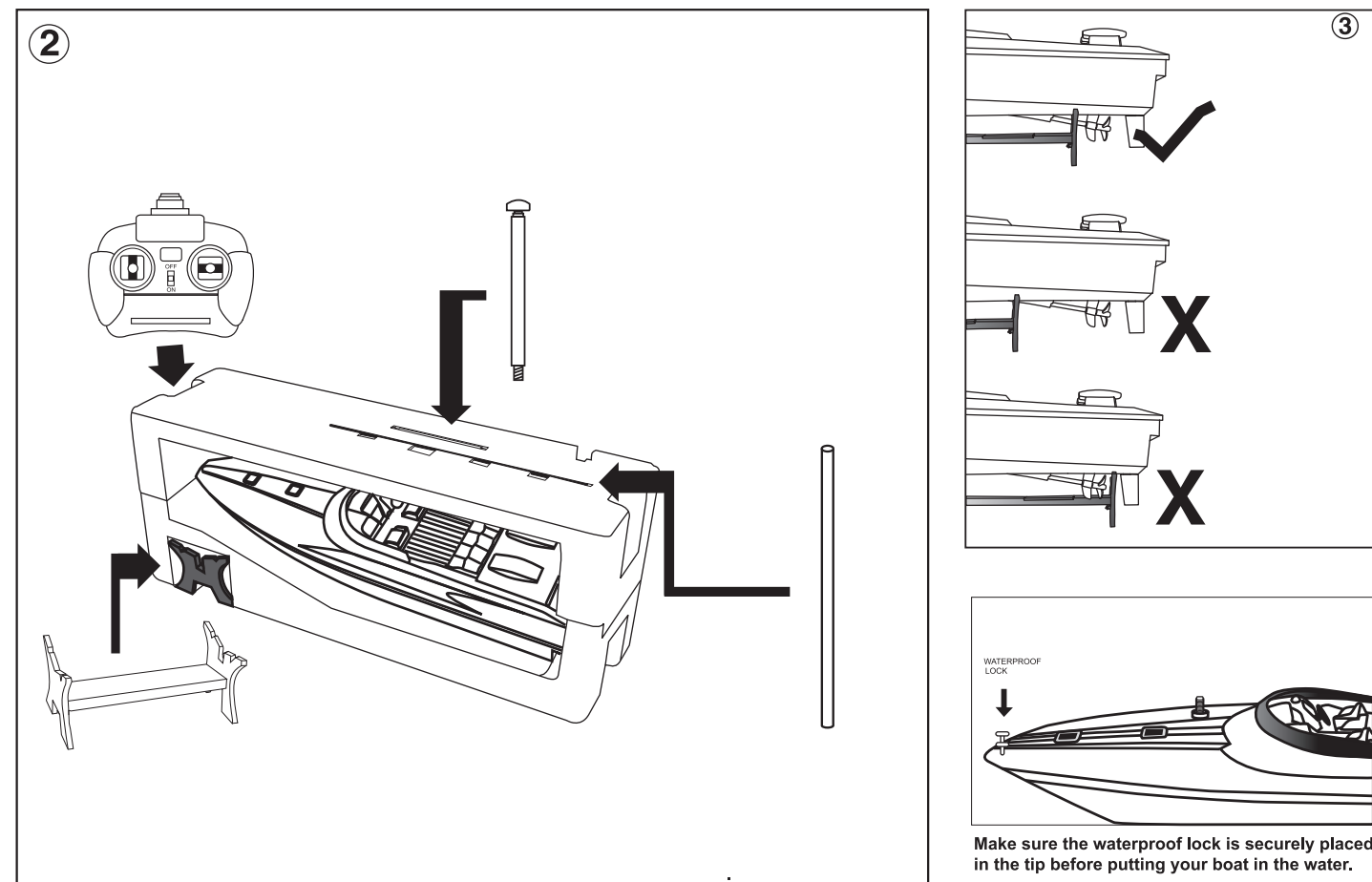
PREPARATION BEFORE USE:

- A) Make sure you have the following necessities (Fig.1):
- 1) One 9V battery
 - 2) 6 pcs of "AA"size Alkaline Batteries,
 - 3) Cross-head screwdriver - 1 pc



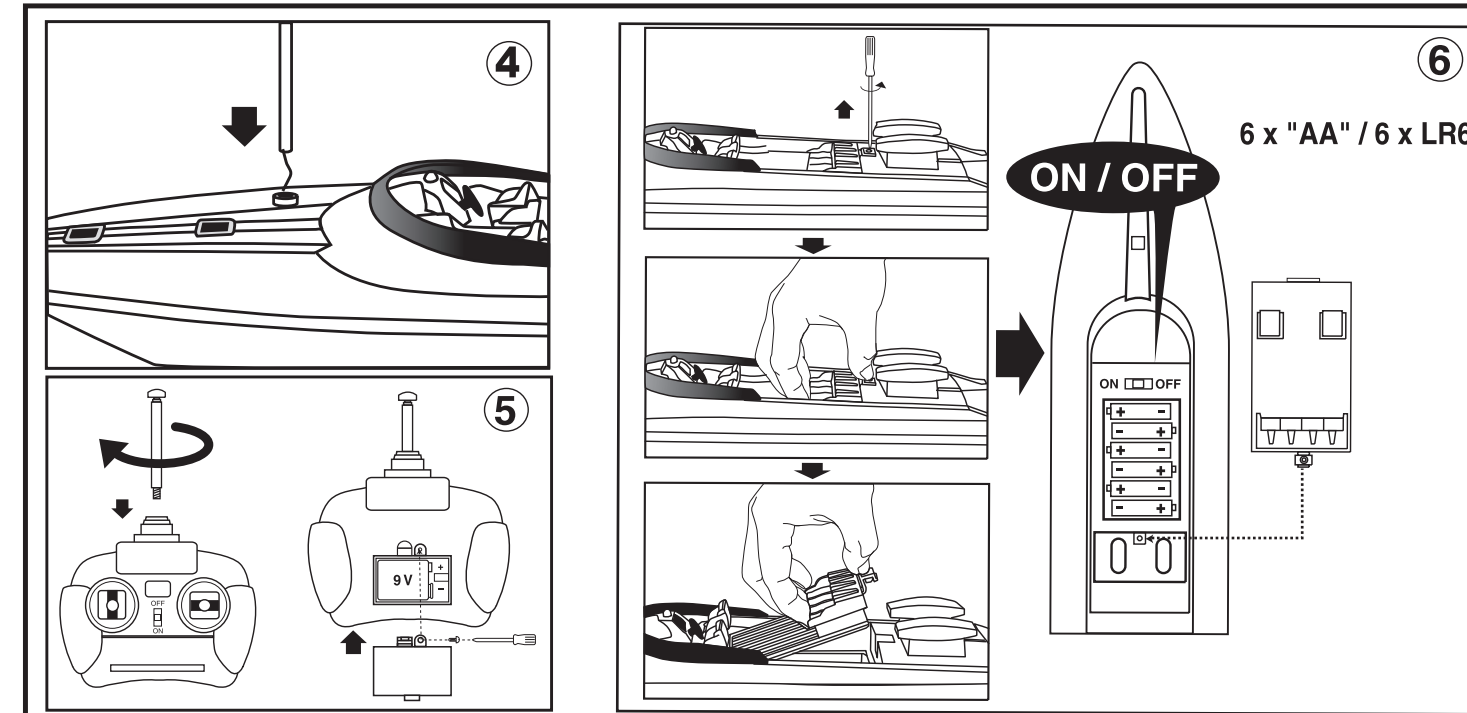
B) Follow step by step from figure 2 to figure 6.

IMPORTANT NOTE: Do not mix new and used batteries in your battery compartment.



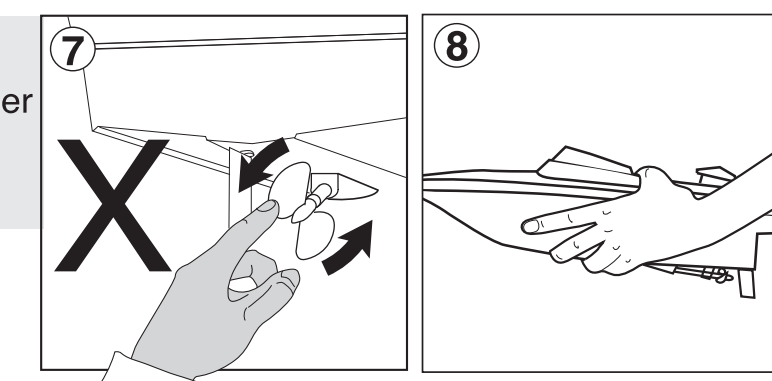
Make sure the waterproof lock is securely placed in the tip before putting your boat in the water.

1



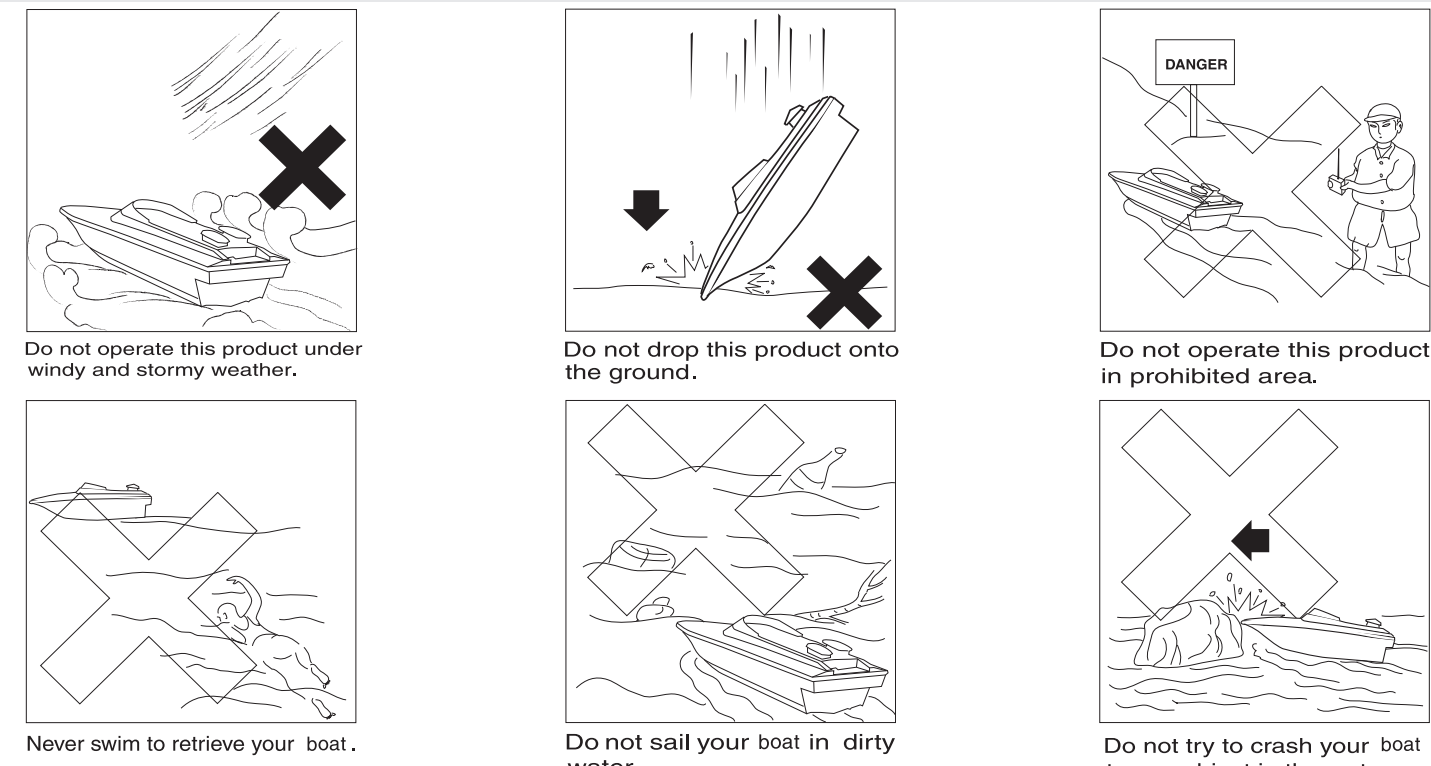
CAUTIONS FOR SAFETY

Never use your finger to touch the propeller to avoid hurting your fingers (fig 7) correct way to hold the boat (fig 8)



CAUTIONS FOR SAFETY

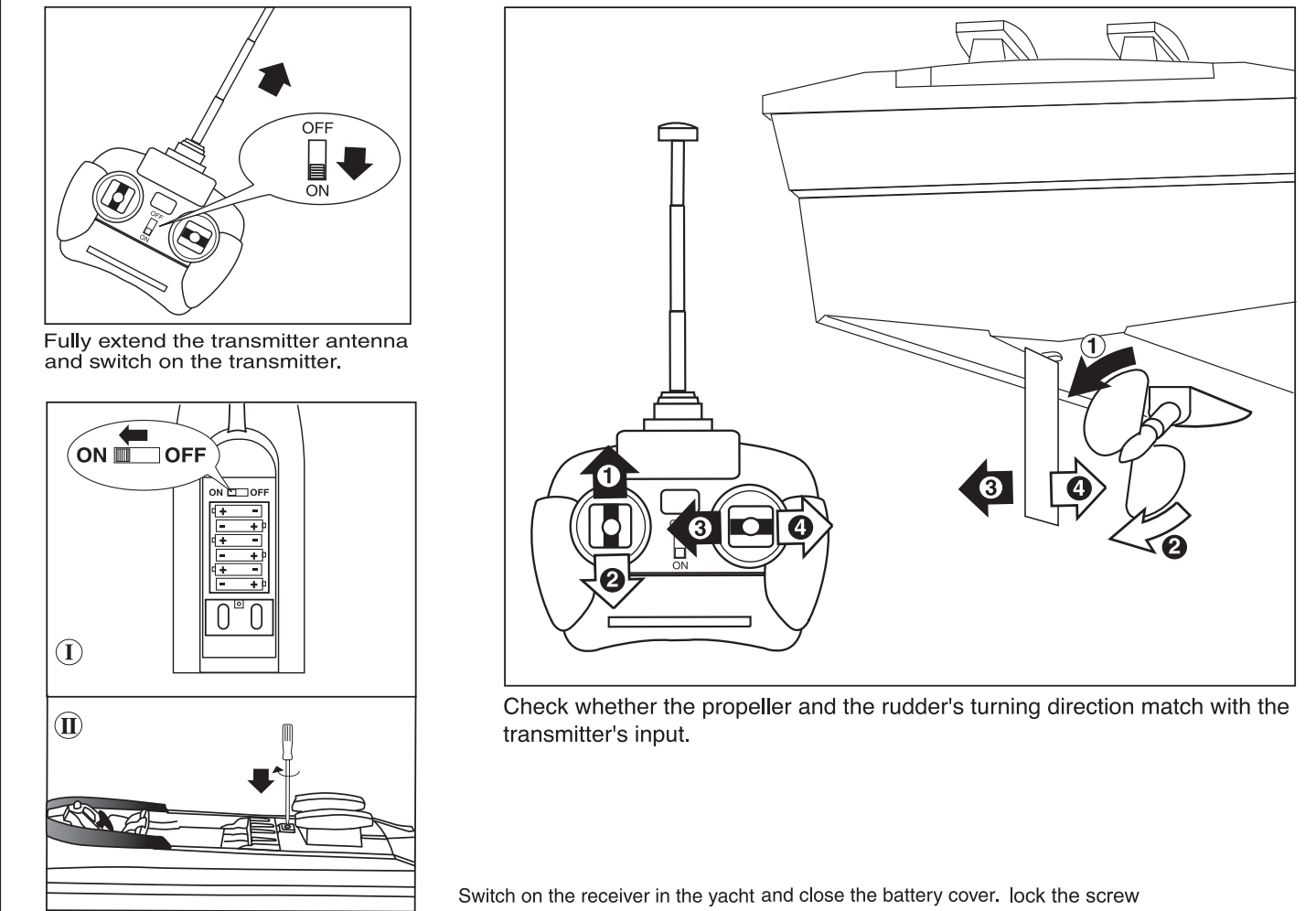
Do not sail the boat beyond 165 feet from yourself.
Do not operate this boat in sea water for best performance.



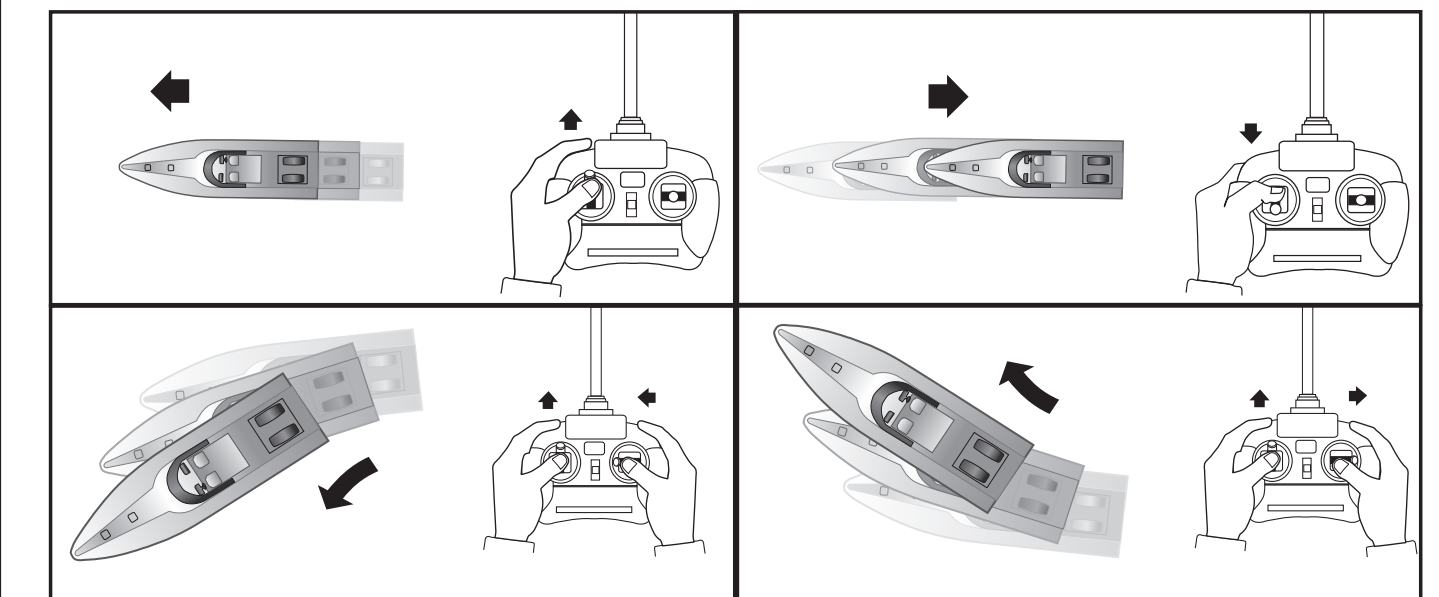
2

BE READY FOR SAILING

In order to avoid radio interferences to your product, before sailing, ask your vicinity to see if they are running the same frequency as yours.



CONTROL INSTRUCTION FOR A VOYAGE



3