

HS-WS200+ Z-Wave Wall Switch

OVERVIEW

HS-WS200+ is a Z-Wave wall switch that's designed for wireless on-off control of connected lighting and appliance loads. See HomeSeer.com/lighting for a complete list of features and applications.

WARNING RISK OF FIRE | RISK OF ELECTRICAL SHOCK | RISK OF BURNS

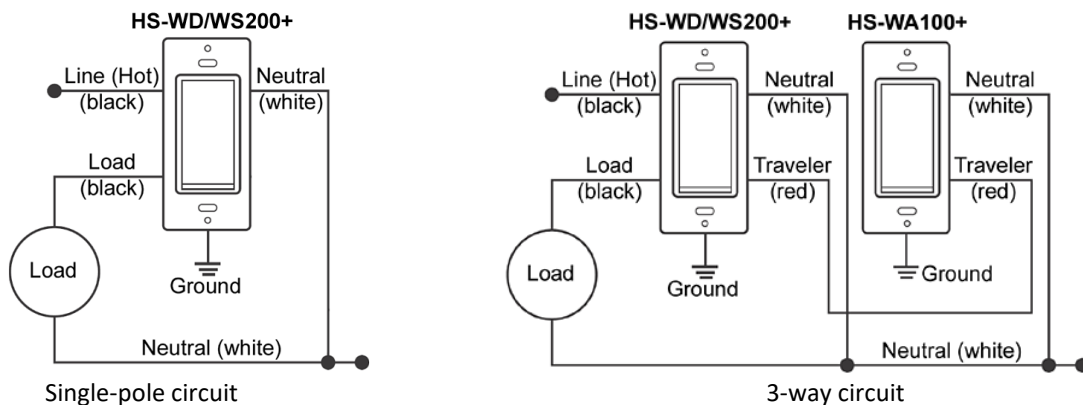
DO NOT USE THIS SWITCH TO CONTROL DEVICES OR APPLIANCES THAT MAY PRESENT A HAZARD WHEN CONTROLLED REMOTELY OR USED IN AN UNATTENDED FASHION. DO NOT USE WITH MEDICAL AND LIFE SUPPORT INSTRUMENTS.

INSTALLATION

Tools required: medium standard and Phillips head screwdrivers, wire strippers/cutters

- 1 Shut off power to the circuit at the circuit breaker or fuse box. **VERIFY power is OFF before continuing!**
- 2 Remove existing switch's wall plate and mounting screws. Carefully remove the existing switch from the electrical box but leave the wires connected.
- 3 There may be up to five wires connected to the existing switch. Make note of these wires and label, if necessary, to ensure correct installation of the HS-WS200+. You will need to match these wires with the corresponding screw terminals on the HS-WS200+. **Note: LINE, NEUTRAL and LOAD wires are required for every installation**
 - LINE (Hot) - Black (connected to power)
 - NEUTRAL - White (this wire is often tied to other neutral wires and may require a jumper to connect with the HS-WS200+)
 - LOAD - Black (connected to load)
 - GROUND — Green or Bare
 - TRAVELER — Red/Other (only used in 3-way circuits)
- 4 Disconnect the wires from the existing switch and attach those wires to the HS-WS200+ using the screw terminal connectors on the back with the following procedure:
 - 1 Strip 16 mm (5/8") insulation from each wire*.
 - 2 With a screw driver, loosen each screw terminal by rotating the screw counter-clockwise a few turns until resistance is felt.
 - 3 There are two holes on the back of the switch near each screw terminal. Insert the stripped wire into one of these holes and tighten the screw terminal to secure the connection. Connections should be snug.

*all wires should be 14 AWG or larger rated at 80°C or higher. Tightening torque should be 12 lbf-in (14kgf-cm).
- 5 Carefully install the wired switch back into the electrical box and reattach the trim plate.



COMPATIBILITY

Your new HomeSeer switch is Z-Wave certified and is ready to be used with a wide variety of home automation hubs and controllers. All features are fully supported by HomeSeer systems but some **ADVANCED FEATURES** (see below) may not be fully supported by other controllers. If you're using another brand of controller, be sure to check with that company to determine compatibility.

Z-WAVE INCLUSION

Follow this 2-step procedure to add your new HomeSeer switch to your Z-Wave network:

- 1 Put your Z-Wave controller into inclusion mode. Consult your controller manual if you're unsure how to do this.
HomeSeer users: press "Add Device" on your Z-Tool+ mobile app
- 2 Tap the paddle of your new HomeSeer switch to begin the inclusion process. This will take a few moments to complete.
HomeSeer users: Be sure to name the switch and assign it to a location using Z-Tool+ when inclusion is done

MANUAL RESET - To be used only in the event that the network primary controller is lost or otherwise inoperable.

(1) Turn switch on by tapping the top of the paddle once. **(2)** Quickly tap top of the paddle 3 times. **(3)** Quickly tap bottom of paddle 3 times. **(4)** If light turns off and then on again, switch is reset. If not, repeat manual reset.

ASSOCIATION - This product supports association group #1 for lifeline communication. Refer to your controller manual for instructions on setting the lifeline association.

OPERATION

Your new HomeSeer switch may be operated locally (manually) or remotely using a Z-Wave compatible controller or home automation system.

Local Control:

- Press (tap) the top of the paddle to power the load
- Press (tap) the bottom of the paddle to cut power to the load

Remote Control:

- On / Off control is available remotely. Consult your controller manual for details.

HomeSeer users: this switch creates 3 devices; a root device, central scene device and control device. The root device may be used to manage Z-Wave settings. The central scene device may be used as a trigger for events. The control device will send on / off commands to the switch.

ADVANCED FEATURES

Your new HomeSeer switch includes advanced features that may be accessed with HomeSeer (and possibly other) systems.

- **Multi-tap triggering** - Tapping the top or bottom of the paddle 1, 2, 3, 4 or 5 times in rapid succession may be used as a trigger to launch HomeSeer events. Note: tapping the paddle once will also control the attached local load.
- **Controllable Indicator Color** - Color of LED indicator may be controlled via Z-Wave commands. Colors include red, green, blue, magenta, cyan, yellow, white.
- **Instant status updates** - Status changes to HomeSeer switches are monitored in real time with HomeSeer systems.

SPECIFICATIONS

Power	Requirements	120VAC / 60 Hz
Max Load	Incandescent LED Resistive Motor	900 watts 200 watts 1800 watts 1/2 Horsepower
Z-Wave	Frequency	908.4 / 916 MHz
	Range	100 ft. (open air)
Certifications	UL (US, Canada), FCC/IC, Z-Wave Plus	

FCC/IC Statement - see <http://homeseer.com/lighting.html>

WARRANTY

HomeSeer warrants to the original purchaser that this product, for the warranty period, will be free from material defects and workmanship. This warranty is subject to proper installation and operation of the product. HomeSeer's sole obligation, under this warranty, is to repair, replace or correct any defect that was present at the time of delivery. This warranty does not extend to consequential or incidental damage to other products that may be used with this product. Warranty claims must be submitted in writing directly to HomeSeer at HomeSeer.com. Warranty period: limited 1 year from date of purchase

FCC statements:

This device complies with part 15 of the FCC rules. Operation is subject to the following two conditions: (1) this device may not cause harmful interference, and (2) this device must accept any interference received, including interference that may cause undesired operation.

NOTE: The manufacturer is not responsible for any radio or TV interference caused by unauthorized modifications or changes to this equipment. Such modifications or changes could void the user's authority to operate the equipment.

IC statements:

This device complies with Part 15 of the FCC Rules and with RSS-247 of Industry Canada. Operation is subject to the following two conditions:

- (1) This device may not cause harmful interference, and
- (2) this device must accept any interference received, including interference that may cause undesired operation.

Le présent appareil est conforme aux CNR d'Industrie Canada applicables aux appareils radio exempts de licence. L'exploitation est autorisée aux deux conditions suivantes :

- (1) l'appareil ne doit pas produire de brouillage, et
- (2) l'utilisateur de l'appareil doit accepter tout brouillage radioélectrique subi, même si le brouillage est susceptible d'en compromettre le fonctionnement.

This Class B digital apparatus complies with Canadian ICES-003.

Cet appareil numérique de la classe B est conforme à la norme NMB-003 du Canada.