

FILE INFORMATION

DATE: 09/05/18
MODEL NUMBER:
MI-SB044-600

PRINTER SPECIFICATIONS

FILE NAME: MI-SB044-600_Manual_090518.ai
SCALE: 100%
SIZE: Trim: Manual:W 202mm x H 115mm

PAPER STOCK: 80g Art Paper
INKS: 1/0
Greyscale

PRESS WORK / NOTES: Trim to size, score, fold,
& glue in specified areas.



DO NOT print Comments or Dielines.

Physical sample according to specs must be approved
by MERKURY before proceeding to production.

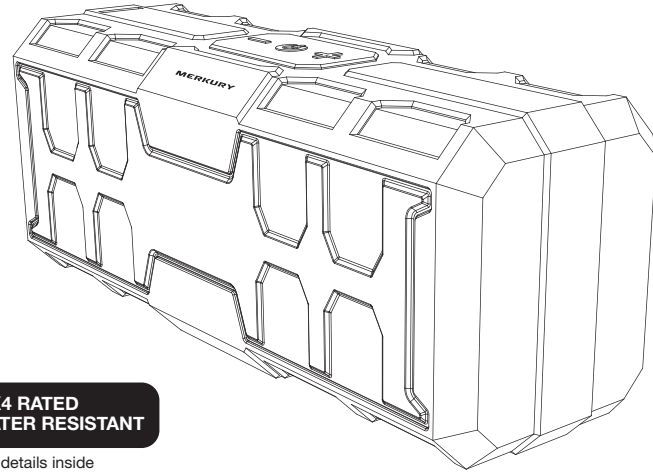
CONTACT

MERKURY CHINA:
Perry
perry@mercuryinnovations.com.cn

COMMENTS (Internal reference only)

- File created by Ann
- Include in all packaging for MI-SB044-600
- Greyscale
- Double sided printing
- Fold NEATLY

BOULDER
RUGGED WIRELESS SPEAKER



**IPX4 RATED
WATER RESISTANT**

See details inside
before use

User's Manual for MI-SB044

Inside Box:
Speaker
Micro USB Charging Cable
User Manual

Features:

- On-board playback & volume controls
- Automatically reconnects with the last connected Bluetooth® device
- Rechargeable battery provides up to 6 hours of continuous playback
- Included micro USB cable connects to a USB charger to recharge speaker

IMPORTANT

**PLEASE READ
BEFORE USING
THIS PRODUCT**

CHARGE IT

- Plug the micro USB cable into the charging port under the flap on the back of the speaker, and connect the other end of the cable with any compatible charger or wall outlet.
- When charging, the LED indicator on the back of the speaker will glow red - when fully charged, the LED indicator will turn off.
- Charging time is approximately 1.5 hours.

TURN IT ON & OFF

- Press and hold the power button ("⏻"), the speaker will emit a tone and the LED light will turn on.
- To power off, press and hold the power button ("⏻"), the LED light will turn off.

PAIR & CONNECT WITH A NEW DEVICE

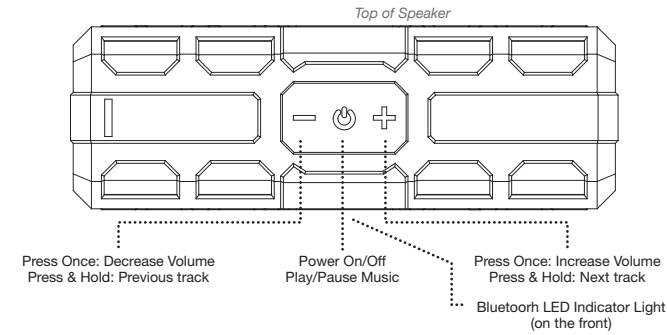
- Turn the speaker on; after a few seconds it will automatically enter into pairing mode and the blue LED will flash quickly.
- On your Bluetooth-enabled device, navigate to the Bluetooth settings menu, turn on the Bluetooth feature, and search for new devices.
- Wait a few seconds and select "MERKURY SB044".
- The speaker will emit a tone and blue LED will remain a solid blue.
- * If your device asks for a passcode enter "0000".

PLAY

- Connect your device to the speaker via Bluetooth (see "Pair & Connect with a New Device").
- Open your favorite music app and press play.
- Control the music, track & volume from your device, or control them from the controls on the speaker.
- Press the "⏻" button once to play/pause music.
- Press the "+" or "-" button once to raise/lower the volume on the speaker.
- Press and hold the "-" for previous track, the "+" to skip to the next track.
- All audio, including music, games, videos, and notifications will be routed through the speaker.

*NOTE: Volume levels on your device and on the speaker are controlled separately.
NOTE: On-speaker playback only works over Bluetooth, and will not work when your device is connected via an AUX cable.*

Controls and Functions



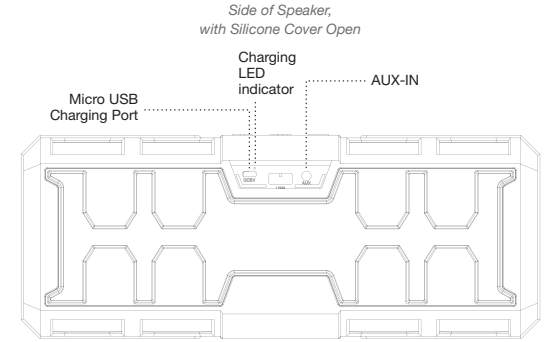
Troubleshooting

No power	First, recharge your speaker using the included charging cable. Then, try using a different micro USB cable.
Music is not playing over Bluetooth	Make sure your Bluetooth device has A2DP profile. Check if both devices are paired and connected over Bluetooth. Restart the speaker to reconnect your Bluetooth device.
Bluetooth device will not reconnect with the speaker	Navigate to your Bluetooth settings menu on your Bluetooth device, tap "Mercurry-SB044," and select "Forget." Now follow the steps to pair your device again. <i>NOTE: If problems persist, press the RESET button (located under the rubber flap) to restore the speaker to original factory settings.</i>

IMPORTANT WATERPROOF/SAFETY INFORMATION

- **IMPORTANT: DO NOT submerge the speaker in water. This device is not intended to function properly after being underwater.**
- This speaker is rated IPX4, which means the speaker can be slashed with water or left in the rain (but not submerged in water).
- While the speaker has a silicone encasing for protection, it does NOT mean that the speaker is drop-proof or indestructible. Speaker may be damaged when dropped from any height.
- All actions done with the speaker are done at your own risk. While the speaker is weather-proof and has a protective case, it is not a guarantee for complete damage protection.

Ports and Features



Please Note:
Before using the speaker in a wet environment, make sure the silicone flap on the side of the speaker is fully closed and secured.

SPECIFICATIONS

Bluetooth® Range: Up to 30ft. Charging Time: Approx. 1.5 hours
Waterproof Level: IPX4 Playback Time: Approx. 5 hours*
Battery Capacity: 1200MA/3.7V *Depends on individual use

FCC NOTICE:

This device complies with Part 15 of the FCC Rules. Operation is subject to the two following conditions:
1. This device may not cause harmful interference.
2. This device must accept any interference received, including interference that may cause undesired operation.

TECHNICAL SUPPORT:

Please do not attempt to fix the product by yourself. If you are experiencing any problems with the product, please do not return it to the store you bought it from. You can contact our technical support representatives and they will assist you with any questions you might have. For assistance operating your product, please consult the User's Manual first, then feel free to contact Mercurry Innovations technical support:
Mercurry Innovations
45 Broadway 3rd Fl. New York, NY 10006
www.mercuryinnovations.com
E-mail: support@mercuryinnovations.com

© 2018 Mercurry Innovations LLC

To explore our full selection of products, visit us at: www.mercuryinnovations.com
The Bluetooth word mark and logo are registered trademarks owned by Bluetooth SIG, Inc. The illustrated product and specifications may differ slightly from those supplied. All other trademarks and trade names are those of their respective owners. **Made in China**

FCC Statement

This equipment has been tested and found to comply with the limits for a Class B digital device, pursuant to Part 15 of the FCC Rules. These limits are designed to provide reasonable protection against harmful interference in a residential installation. This equipment generates uses and can radiate radio frequency energy and, if not installed and used in accordance with the instructions, may cause harmful interference to radio communications. However, there is no guarantee that interference will not occur in a particular installation. If this equipment does cause harmful interference to radio or television reception, which can be determined by turning the equipment off and on, the user is encouraged to try to correct the interference by one or more of the following measures:

- Reorient or relocate the receiving antenna.
- Increase the separation between the equipment and receiver.
- Connect the equipment into an outlet on a circuit different from that to which the receiver is connected.
- Consult the dealer or an experienced radio/TV technician for help.

This device complies with part 15 of the FCC Rules. Operation is subject to the following two conditions:
(1) This device may not cause harmful interference, and (2) this device must accept any interference received, including interference that may cause undesired operation.

Changes or modifications not expressly approved by the party responsible for compliance could void the user's authority to operate the equipment.