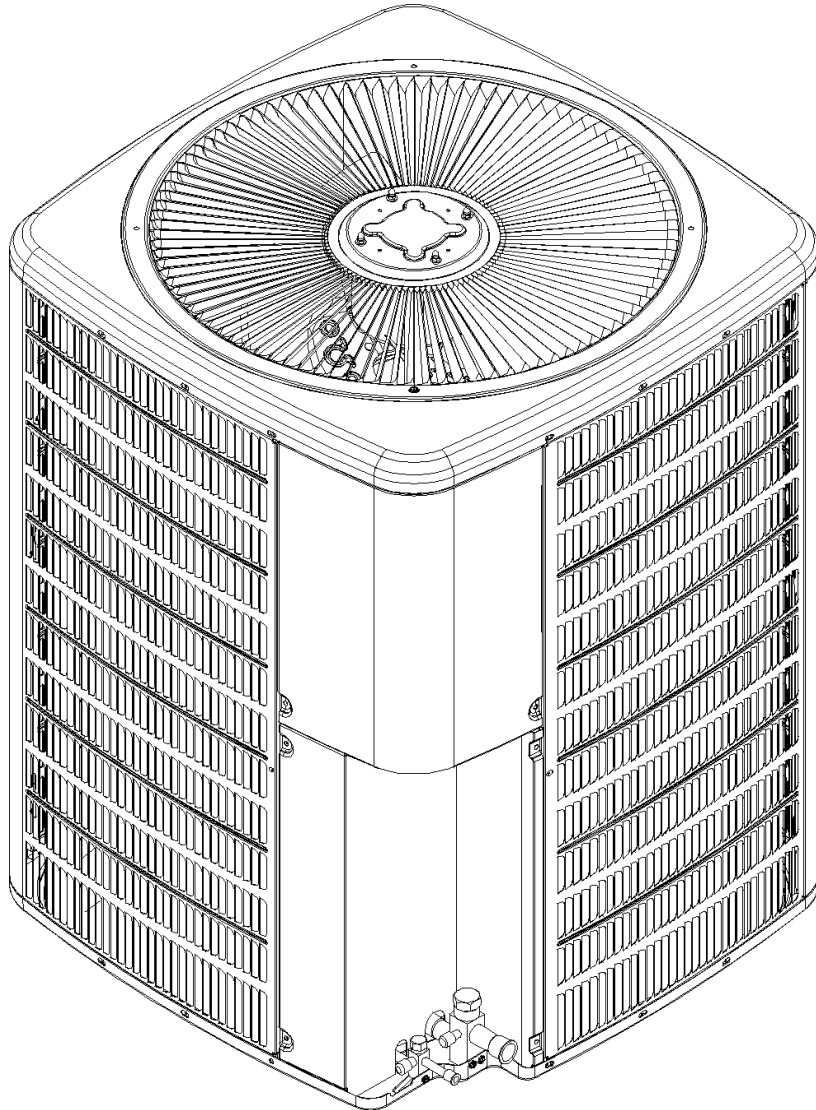


REPAIR PARTS

GSH13 Remote Heat Pumps

GSH130181AB
GSH130191AB
GSH130241AB
GSH130251AB
GSH130251AD
GSH130301AB
GSH130311AB
GSH130311AD
GSH130361AB
GSH130363AB
GSH130421AB
GSH130481AB
GSH130483AB
GSH130484AB
GSH130484AC
GSH130601AB
GSH130603AB
GSH130604AB
GSH130604AC



This manual is to be used by qualified technicians only.

This manual replaces RP-430B.

© 2009,2011 Goodman Manufacturing Company, L.P. ♦ 5151 San Felipe, Suite 500 ♦ Houston, TX 77056

Important Information

Index

Functional Parts List	3
Illustration and Parts	4 - 9

Views shown are for parts illustrations only, not servicing procedures.

Text Codes:

AR - As Required

NA - Not Available

NS - Not Shown

00000000 - See Note

QTY - Quantity Example (QTY 3) (If Quantity not shown, Quantity = 1)

M - Model Example (M1) (If M Code not shown, then part is used on all Models)

Expanded Model Nomenclature:

Example M1 - Model#1 M2 - Model#2 M3 - Model#3

Goodman Manufacturing Company, L.P. is not responsible for personal injury or property damage resulting from improper service. Review all service information before beginning repairs.

Warranty service must be performed by an authorized technician, using authorized factory parts. If service is required after the warranty expires, Goodman Manufacturing Company, L.P. also recommends contacting an authorized technician and using authorized factory parts.

Goodman Manufacturing Company, L.P. reserves the right to discontinue, or change at any time, specifications or designs without notice or without incurring obligations.

For assistance within the U.S.A. contact:
Consumer Affairs Department
Goodman Manufacturing Company, L.P.
7401 Security Way
Houston, Texas 77040
877-254-4729-Telephone
713-863-2382-Facsimile

For assistance outside the U.S.A. contact:
International Division
Goodman Manufacturing Company, L.P.
7401 Security Way
Houston, Texas 77040
713-861-2500-Telephone
713-863-2382-Facsimile

Functional Parts

Part No: **Description:**

Expanded Model Nomenclature

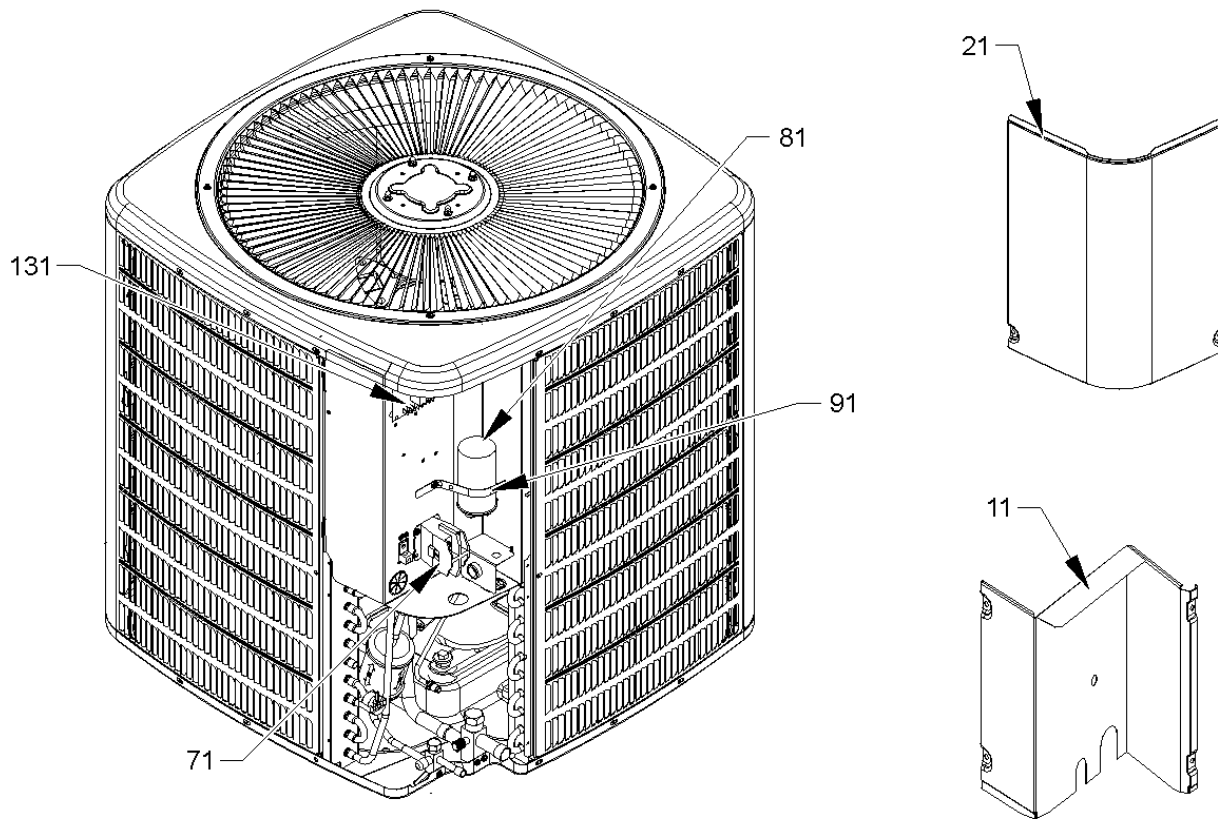
CAP050300440RSS	CAPACITOR 5/30/370V (M2, M3)
CAP050350440RSS	CAPACITOR 5/35/440V (M1, M4, M5, M7, M8, M9)
CAP050000370VAS	CAPACITOR 5/370V (M10, M13, M14, M15, M17, M18, M19)
CAP050400440RTS	CAPACITOR 5/40/440V (M6)
CAP050500440RTS	CAPACITOR 5/50/440V (M11)
CAP050550440RTS	CAPACITOR 5/55/440V (M12)
CAP050800440RTS	CAPACITOR 5/80/440V (M16)
ZR42K5TF5800	COMP,40600,208/230/60/3 (M13)
ZR42K5TFD800	COMP,40600,460/60/3 (M14, M15)
ZR54K5TF5800	COMP,54200,200/230/60/3 (M17)
ZR54K5TFD800	COMP,54500,460/60/3 (M18, M19)
CR14K7PFV970	COMPRESSOR 14100, 208/230/60/1 (M1)
ZR16K4PFV930	COMPRESSOR 16500, 208/230/60/1 (M2)
CR19K7PFV970	COMPRESSOR 19300, 208/230/60/1 (M3)
ZR22K4PFV930	COMPRESSOR 22000, 208/230/60/1 (M4, M5)
ZR24K4PFV930	COMPRESSOR 24000, 208/230/60/1 (M7, M8)
CR24K7PFV970	COMPRESSOR 24300, 208/230/60/1 (M6)
CR28K7TF5970	COMPRESSOR 28000, 200/230/60/3 (M10)
CR28K7PFV970	COMPRESSOR 28300, 208/230/60/1 (M9)
ZR36K3PFV930	COMPRESSOR 36900, 208/230/60/1 (M11)
ZR40K3PFV930	COMPRESSOR 40600, 208/230/60/1 (M12)
ZR52K3PFV930	COMPRESSOR 52000, 208/230/60/1 (M16)
0131M00007PS	COND MOTOR 1/4 HP, 1 SP, 6 PL (M9, M10, M11, M12, M13)
0131M00022S	COND MOTOR 1/4 HP, 8 PL, 460V (M14, M15)
0131M00060S	COND MOTOR 1/6 HP, 1 SP, 8 PL (M1, M2, M3, M4, M5, M6, M7, M8)
0131M00012PS	COND MOTOR 1/6 HP, 1 SP, 8 PL (M16, M17)
0131M00023S	COND MOTOR 1/6 HP, 8 PL, 460V (M18, M19)
CONT2P025024VS	CONTACTOR 25 AMP, 2P, 24V (M1, M2, M3, M4, M5, M6, M7, M8)
CONT3P025024VS	CONTACTOR 25 AMP, 3P, 24V (M10, M13, M14, M15, M17, M18, M19)
CONT2P030024VS	CONTACTOR 30 AMP, 2P, 24V (M9, M11, M12)
CONT2P040024VS	CONTACTOR 40 AMP, 2P, 24V (M16)
B1360719	CUT-OUT SWITCH, LOW PRESSURE
PCBDM101S	DEFROST CONTROL BOARD
B1370803	DEFROST THERMOSTAT

M1 - GSH130181AB
M2 - GSH130191AB
M3 - GSH130241AB
M4 - GSH130251AB
M5 - GSH130251AD
M6 - GSH130301AB
M7 - GSH130311AB
M8 - GSH130311AD
M9 - GSH130361AB
M10 - GSH130363AB
M11 - GSH130421AB
M12 - GSH130481AB
M13 - GSH130483AB
M14 - GSH130484AB
M15 - GSH130484AC
M16 - GSH130601AB
M17 - GSH130603AB
M18 - GSH130604AB
M19 - GSH130604AC

SPECIAL PARTS

0161R00009P	NAMEPLATE
-------------	-----------

Control Cover/Control Box



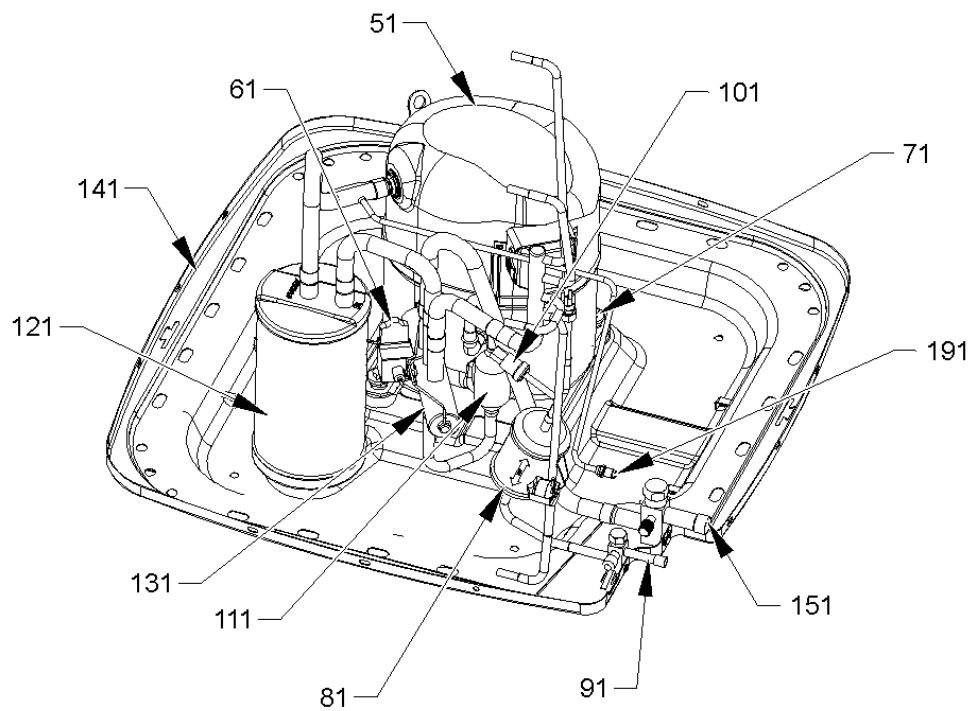
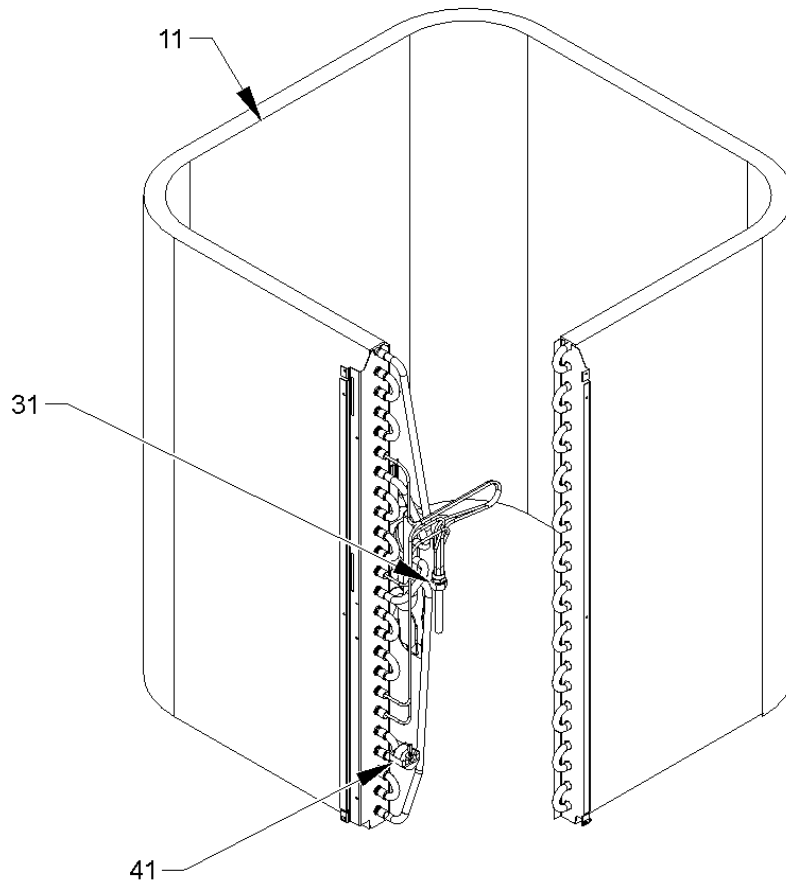
Control Cover/Control Box

Ref. Part No:	No:	Description:	Ref. Part No:	No:	Description:
<i>Image 1:</i>					
11	4400201PDG	LOWER ACCESS PANEL (M1, M2, M4, M5, M11)			
11	4400202PDG	LOWER ACCESS PANEL (M6, M7, M8, M12, M13, M14, M15, M16, M17, M18, M19)			
11	4400203PDG	LOWER ACCESS PANEL (M3)			
11	4400205PDG	LOWER ACCESS PANEL (M9, M10)			
21	0121R00053PDG	CONTROL COVER			
71	CONT2P025024VS	CONTACTOR 25 AMP, 2P, 24V (M1, M2, M3, M4, M5, M6, M7, M8)			
71	CONT3P025024VS	CONTACTOR 25 AMP, 3P, 24V (M10, M13, M14, M15, M17, M18, M19)			
71	CONT2P030024VS	CONTACTOR 30 AMP, 2P, 24V (M9, M11, M12)			
71	CONT2P040024VS	CONTACTOR 40 AMP, 2P, 24V (M16)			
81	CAP050300440RSS	CAPACITOR 5/30/370V (M2, M3)			
81	CAP050350440RSS	CAPACITOR 5/35/440V (M1, M4, M5, M7, M8, M9)			
81	CAP050000370VAS	CAPACITOR 5/370V (M10, M13, M14, M15, M17, M18, M19)			
81	CAP050400440RTS	CAPACITOR 5/40/440V (M6)			
81	CAP050500440RTS	CAPACITOR 5/50/440V (M11)			
81	CAP050550440RTS	CAPACITOR 5/55/440V (M12)			
81	CAP050800440RTS	CAPACITOR 5/80/440V (M16)			
91	4400065	CAPACITOR STRAP			
131	PCBDM101S	DEFROST CONTROL BOARD			
NS	0161R00009P	NAMEPLATE			

Expanded Model Nomenclature

M1 - GSH130181AB
M2 - GSH130191AB
M3 - GSH130241AB
M4 - GSH130251AB
M5 - GSH130251AD
M6 - GSH130301AB
M7 - GSH130311AB
M8 - GSH130311AD
M9 - GSH130361AB
M10 - GSH130363AB
M11 - GSH130421AB
M12 - GSH130481AB
M13 - GSH130483AB
M14 - GSH130484AB
M15 - GSH130484AC
M16 - GSH130601AB
M17 - GSH130603AB
M18 - GSH130604AB
M19 - GSH130604AC

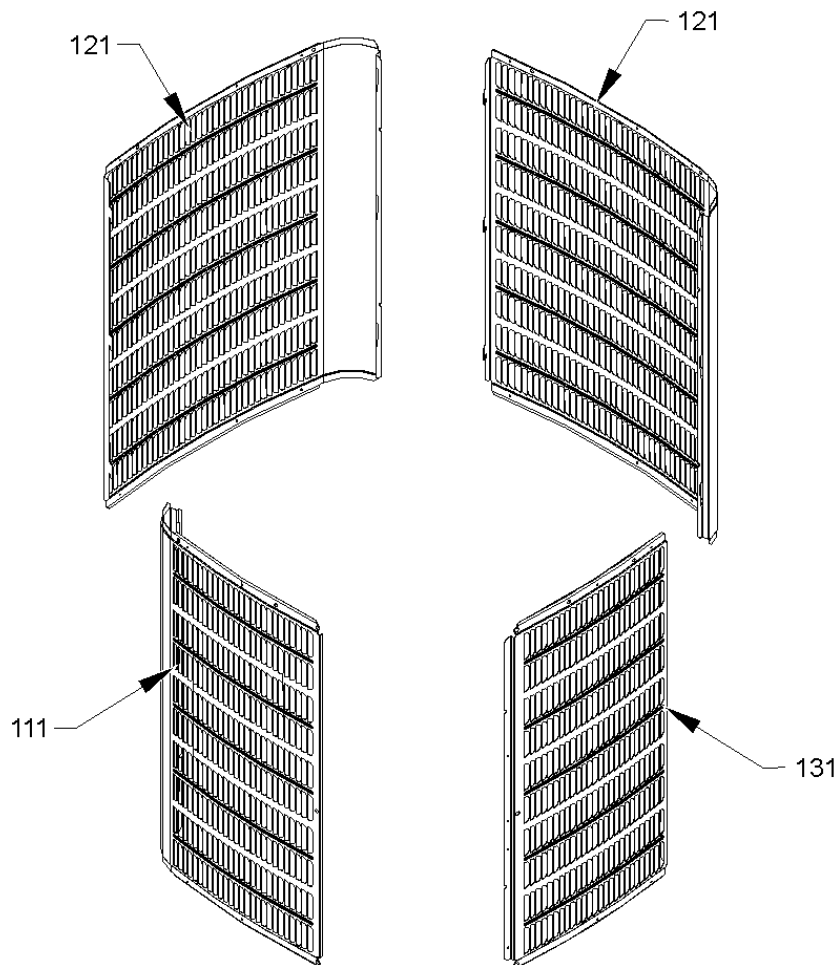
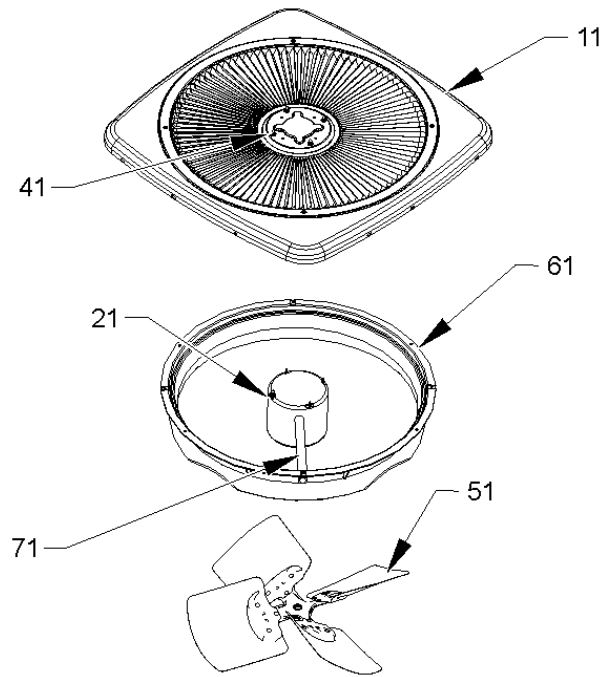
Basepan/Tubing Assembly



Basepan/Tubing Assembly

Ref. Part No:	No:	Description:	Ref. Part No:	No:	Description:																			
<i>Image 1:</i>			<i>Image 1:</i>																					
11	0201R00053S	TUBING ASSY, COND COIL (M17, M18, M19)	NS	B1339530	COMPRESSOR GROMMET (M1, M3, M6, M9, M10)																			
11	0201R00058S	TUBING ASSY, COND COIL (M4, M5)	NS	B1339533	COMPRESSOR GROMMET (M2, M4, M5, M7, M8, M11, M12, M13, M14, M15, M16, M17, M18, M19)																			
11	0201R00066S	TUBING ASSY, COND COIL (M7, M8)	NS	B1789852	FLOW CHECK PISTON KIT .052 (M1, M2)																			
11	0201R00068S	TUBING ASSY, COND COIL (M12, M13, M14, M15)	NS	B1789861	FLOW CHECK PISTON KIT .061 (M3, M4, M5)																			
11	0201R00070S	TUBING ASSY, COND COIL (M11)	NS	B1789865	FLOW CHECK PISTON KIT .065 (M7, M8)																			
11	1362200	TUBING ASSY, COND COIL (M1, M2)	NS	B1789868	FLOW CHECK PISTON KIT .068 (M6)																			
11	1362202	TUBING ASSY, COND COIL (M6)	NS	B1789873	FLOW CHECK PISTON KIT .073 (M9, M10)																			
11	1362203	TUBING ASSY, COND COIL (M9, M10)	NS	B1789882	FLOW CHECK PISTON KIT .082 (M11)																			
11	1362206	TUBING ASSY, COND COIL (M16)	NS	B1789884	FLOW CHECK PISTON KIT .084 (M12, M13, M14, M15)																			
11	1362207	TUBING ASSY, COND COIL (M3)	NS	B1789893	FLOW CHECK PISTON KIT .093 (M17, M18, M19)																			
41	B1370803	DEFROST THERMOSTAT																						
51	ZR42K5TF5800	COMP,40600,208/230/60/3 (M13)	Expanded Model Nomenclature																					
51	ZR42K5TFD800	COMP,40600,460/60/3 (M14, M15)	<table border="1"> <tr><td>M1 - GSH130181AB</td></tr> <tr><td>M2 - GSH130191AB</td></tr> <tr><td>M3 - GSH130241AB</td></tr> <tr><td>M4 - GSH130251AB</td></tr> <tr><td>M5 - GSH130251AD</td></tr> <tr><td>M6 - GSH130301AB</td></tr> <tr><td>M7 - GSH130311AB</td></tr> <tr><td>M8 - GSH130311AD</td></tr> <tr><td>M9 - GSH130361AB</td></tr> <tr><td>M10 - GSH130363AB</td></tr> <tr><td>M11 - GSH130421AB</td></tr> <tr><td>M12 - GSH130481AB</td></tr> <tr><td>M13 - GSH130483AB</td></tr> <tr><td>M14 - GSH130484AB</td></tr> <tr><td>M15 - GSH130484AC</td></tr> <tr><td>M16 - GSH130601AB</td></tr> <tr><td>M17 - GSH130603AB</td></tr> <tr><td>M18 - GSH130604AB</td></tr> <tr><td>M19 - GSH130604AC</td></tr> </table>			M1 - GSH130181AB	M2 - GSH130191AB	M3 - GSH130241AB	M4 - GSH130251AB	M5 - GSH130251AD	M6 - GSH130301AB	M7 - GSH130311AB	M8 - GSH130311AD	M9 - GSH130361AB	M10 - GSH130363AB	M11 - GSH130421AB	M12 - GSH130481AB	M13 - GSH130483AB	M14 - GSH130484AB	M15 - GSH130484AC	M16 - GSH130601AB	M17 - GSH130603AB	M18 - GSH130604AB	M19 - GSH130604AC
M1 - GSH130181AB																								
M2 - GSH130191AB																								
M3 - GSH130241AB																								
M4 - GSH130251AB																								
M5 - GSH130251AD																								
M6 - GSH130301AB																								
M7 - GSH130311AB																								
M8 - GSH130311AD																								
M9 - GSH130361AB																								
M10 - GSH130363AB																								
M11 - GSH130421AB																								
M12 - GSH130481AB																								
M13 - GSH130483AB																								
M14 - GSH130484AB																								
M15 - GSH130484AC																								
M16 - GSH130601AB																								
M17 - GSH130603AB																								
M18 - GSH130604AB																								
M19 - GSH130604AC																								
51	ZR54K5TF5800	COMP,54200,200/230/60/3 (M17)																						
51	ZR54K5TFD800	COMP,54500,460/60/3 (M18, M19)																						
51	CR14K7PFV970	COMPRESSOR 14100, 208/230/60/1 (M1)																						
51	ZR16K4PFV930	COMPRESSOR 16500, 208/230/60/1 (M2)																						
51	CR19K7PFV970	COMPRESSOR 19300, 208/230/60/1 (M3)																						
51	ZR22K4PFV930	COMPRESSOR 22000, 208/230/60/1 (M4, M5)																						
51	ZR24K4PFV930	COMPRESSOR 24000, 208/230/60/1 (M7, M8)																						
51	CR24K7PFV970	COMPRESSOR 24300, 208/230/60/1 (M6)																						
51	CR28K7TF5970	COMPRESSOR 28000, 200/230/60/3 (M10)																						
51	CR28K7PFV970	COMPRESSOR 28300, 208/230/60/1 (M9)																						
51	ZR36K3PFV930	COMPRESSOR 36900, 208/230/60/1 (M11)																						
51	ZR40K3PFV930	COMPRESSOR 40600, 208/230/60/1 (M12)																						
51	ZR52K3PFV930	COMPRESSOR 52000, 208/230/60/1 (M16)																						
61	B1225020	SOLENOID COIL CORD W/1/4"TERMINAL																						
71	M0221641	TF SHOULDER SCREW (QTY 4)																						
81	20485201	BI-FLOW FILTER DRIER																						
91	B12825171	3/8" SERVICE VALVE																						
101	B1360719	CUT-OUT SWITCH, LOW PRESSURE																						
111	B1219301	MUFFLER 1/2 X 1/2 (M1, M3, M5, M6, M8, M9, M10)																						
121	B1226206	ACCUMULATOR (M1, M2, M3, M4, M5, M6, M7, M8)																						
121	B1226207	ACCUMULATOR .875 (M9, M10, M11, M12, M13, M14, M15, M16, M17, M18, M19)																						
131	0151M00018S	REVERSING VALVE (M1, M2, M3, M4, M5)																						
131	0151M00019S	REVERSING VALVE (M6, M7, M8)																						
131	0151M00020S	REVERSING VALVE (M9, M10, M11, M12, M13, M14, M15, M16, M17, M18, M19)																						
141	0121R00006PDG	BASE PAN 29" (M1, M2, M3, M4, M5, M6, M7, M8, M9, M10, M11, M12, M13, M14, M15)																						
141	0121R00007PDG	BASE PAN 35" (M16, M17, M18, M19)																						
151	0151R00032	VALVE, BASE 3/4" OPEN LEFT (M1, M2, M3, M4, M5, M6, M7, M8)																						
151	0151R00033	VALVE, BASE 7/8" OPEN LEFT (M9, M10, M11, M12, M13, M14, M15, M16, M17, M18, M19)																						
191	B1392135	VALVE CORE																						

Cabinet Top/Side Panels



Cabinet Top/Side Panels

**Ref. Part
No: No:**

Description:

**Ref. Part
No: No:**

Description:

Image 1:

11	0121R00010PDGS	PANEL, TOP 29" PNT (M1, M2, M3, M4, M5, M6, M7, M8, M9, M10, M11, M12, M13, M14, M15)
11	0121R00012PDG	TOP PANEL 35" (M16, M17, M18, M19)
21	0131M00007PS	COND MOTOR 1/4 HP, 1 SP, 6 PL (M9, M10, M11, M12, M13)
21	0131M00022S	COND MOTOR 1/4 HP, 8 PL, 460V (M14, M15)
21	0131M00012PS	COND MOTOR 1/6 HP, 1 SP, 8 PL (M16, M17)
21	0131M00060S	COND MOTOR 1/6 HP, 1 SP, 8 PL (M1, M2, M3, M4, M5, M6, M7, M8)
21	0131M00023S	COND MOTOR 1/6 HP, 8 PL, 460V (M18, M19)
41	0163M00006P	ACORN NUT 5/16 HEX BLACK (QTY 4)
51	0150M00016S	FAN BLADE (M1)
51	0150M00007S	FAN BLADE 22" (M9, M10, M11)
51	B1086775S	FAN BLADE 22" (M2, M3, M4, M5, M6, M7, M8, M12, M13)
51	0150M00008S	FAN BLADE 22" TNT2203-25 (M14, M15)
51	10625738S	FAN BLADE 26" ALUM C CW (M16, M17, M18, M19)
61	0161L00000	VENTURI RING 22" (M1, M2, M3, M4, M5, M6, M7, M8, M9, M10, M11, M12, M13, M14, M15)
61	0161R00007P	VENTURI RING 35" (M16, M17, M18, M19)
71	0161R00002P	CONDUIT (M1, M2, M3, M4, M5, M6, M7, M8, M9, M10, M11, M12, M13, M14, M15)
71	0161R00004P	CONDUIT (M16, M17, M18, M19)
111	0121R00026PDGB	LOUVERED SIDE PANEL (M3)
111	0121R00024PDGB	LOUVERED SIDE PANEL [LT OF CNTL PNL] (M1, M2, M4, M5, M11)
111	0121R00025PDGB	LOUVERED SIDE PANEL [LT OF CNTL PNL] (M6, M7, M8, M12, M13, M14, M15)
111	0121R00027PDGB	LOUVERED SIDE PANEL [LT OF CNTL PNL] (M9, M10)
111	0121R00042PDGB	LOUVERED SIDE PANEL [LT OF CNTL PNL] (M16, M17, M18, M19)
121	0121R00030PDGB	LOUVERED SIDE PANEL (M1, M2, M4, M5, M11)
121	0121R00031PDGB	LOUVERED SIDE PANEL (M6, M7, M8, M12, M13, M14, M15)
121	0121R00032PDGB	LOUVERED SIDE PANEL (M3)
121	0121R00033PDGB	LOUVERED SIDE PANEL (M9, M10)
121	0121R00046PDGB	LOUVERED SIDE PANEL (M16, M17, M18, M19)
131	0121R00038PDG	LOUVERED SIDE PANEL (M3, M9, M10)
131	0121R00036PDG	LOUVERED SIDE PANEL [RT OF CNTL PNL] (M1, M2, M4, M5, M11)
131	0121R00037PDG	LOUVERED SIDE PANEL [RT OF CNTL PNL] (M6, M7, M8, M12, M13, M14, M15)
131	0121R00050PDG	LOUVERED SIDE PANEL [RT OF CNTL PNL] (M16, M17, M18, M19)

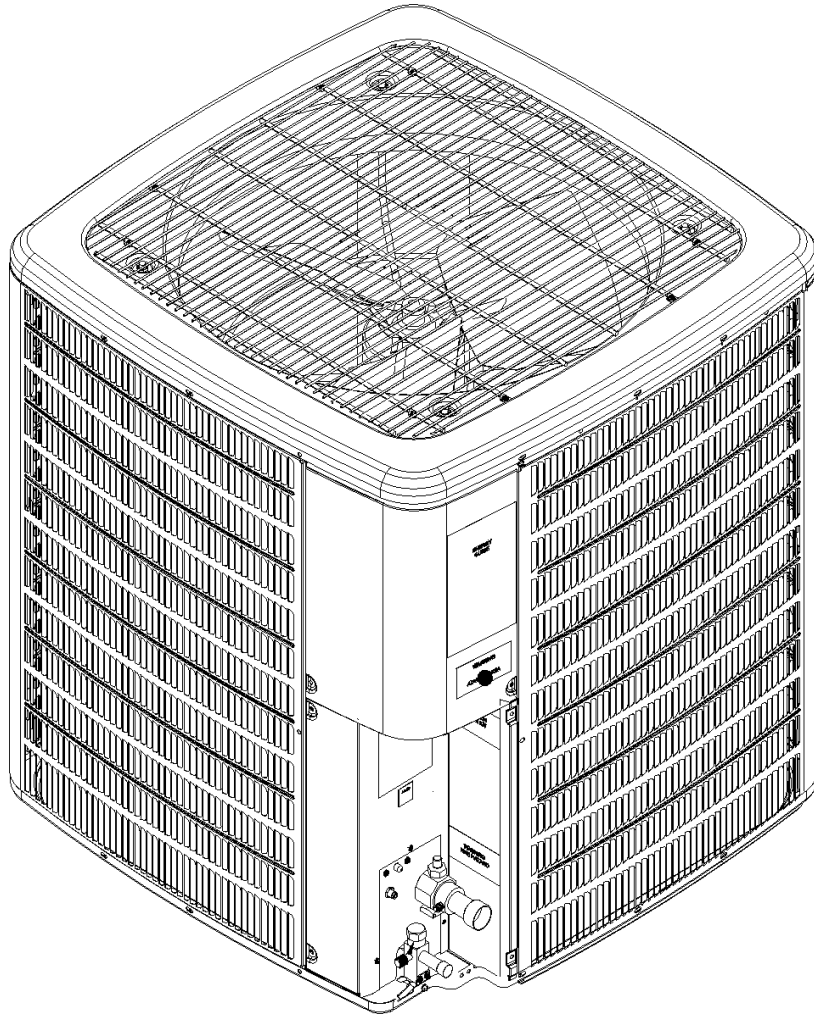
Expanded Model Nomenclature

M1 - GSH130181AB
M2 - GSH130191AB
M3 - GSH130241AB
M4 - GSH130251AB
M5 - GSH130251AD
M6 - GSH130301AB
M7 - GSH130311AB
M8 - GSH130311AD
M9 - GSH130361AB
M10 - GSH130363AB
M11 - GSH130421AB
M12 - GSH130481AB
M13 - GSH130483AB
M14 - GSH130484AB
M15 - GSH130484AC
M16 - GSH130601AB
M17 - GSH130603AB
M18 - GSH130604AB
M19 - GSH130604AC

REPAIR PARTS

GSH 10 SEER

GSH100903AA
GSH100903AB
GSH100903BA
GSH100904AA
GSH100904AB
GSH100904BA
GSH101203AA
GSH101203AB
GSH101203AD
GSH101204AA
GSH101204AB
GSH101204AC



This manual is to be used by qualified technicians only.

This manual replaces RP-364A

© 2009,2011 Goodman Manufacturing Company, L.P. ♦ 5151 San Felipe, Suite 500 ♦ Houston, TX 77056

Important Information

Index

Functional Parts List	3
Illustration and Parts	4 - 9

Views shown are for parts illustrations only, not servicing procedures.

Text Codes:

AR - As Required

NA - Not Available

NS - Not Shown

00000000 - See Note

QTY - Quantity Example (QTY 3) (If Quantity not shown, Quantity = 1)

M - Model Example (M1) (If M Code not shown, then part is used on all Models)

Expanded Model Nomenclature:

Example M1 - Model#1 M2 - Model#2 M3 - Model#3

Goodman Manufacturing Company, L.P. is not responsible for personal injury or property damage resulting from improper service. Review all service information before beginning repairs.

Warranty service must be performed by an authorized technician, using authorized factory parts. If service is required after the warranty expires, Goodman Manufacturing Company, L.P. also recommends contacting an authorized technician and using authorized factory parts.

Goodman Manufacturing Company, L.P. reserves the right to discontinue, or change at any time, specifications or designs without notice or without incurring obligations.

For assistance within the U.S.A. contact:
Consumer Affairs Department
Goodman Manufacturing Company, L.P.
7401 Security Way
Houston, Texas 77040
877-254-4729-Telephone
713-863-2382-Facsimile

For assistance outside the U.S.A. contact:
International Division
Goodman Manufacturing Company, L.P.
7401 Security Way
Houston, Texas 77040
713-861-2500-Telephone
713-863-2382-Facsimile

Functional Parts

Part

No: Description:

0130M00025S	24V RELAY
CAP200000440RPS	CAPACITOR 20/370V
ZR108KCTF5950	COMPRESSOR 10900, 200/230/60/3 (M7, M8, M9)
ZR108KCTFD950	COMPRESSOR 10900, 460/60/3 (M10, M11, M12)
ZR84KCTF5950	COMPRESSOR 85500, 200/230/60/3 (M1, M2, M3)
ZR84KCTFD950	COMPRESSOR 85500, 460/60/3 (M4, M5, M6)
0131M00040S	COND MOTOR 1 HP, 1 SP, 230V (M1, M2, M3, M7, M8, M9)
0131M00041S	COND MOTOR 1 HP, 1 SP, 460V (M4, M5, M6, M10, M11, M12)
CONT3P040024VS	CONTACTOR 40 AMP, 3P, 24V
B1243732	CRANKCASE HEATER 460V, 75 WATTS (M4, M5, M6, M10, M11, M12)
B1243731	CRANKCASE HEATER 75W, 240V (M1, M2, M3, M7, M8, M9)
B1360721	CUT-OUT SWITCH, HIGH PRESSURE
B1360719	CUT-OUT SWITCH, LOW PRESSURE
PCBDM101S	DEFROST CONTROL BOARD (M3, M6, M9, M12)
B1370803	DEFROST THERMOSTAT
B1225020	SOLENOID COIL CORD W/1/4"TERMINAL (M1, M2, M4, M5)

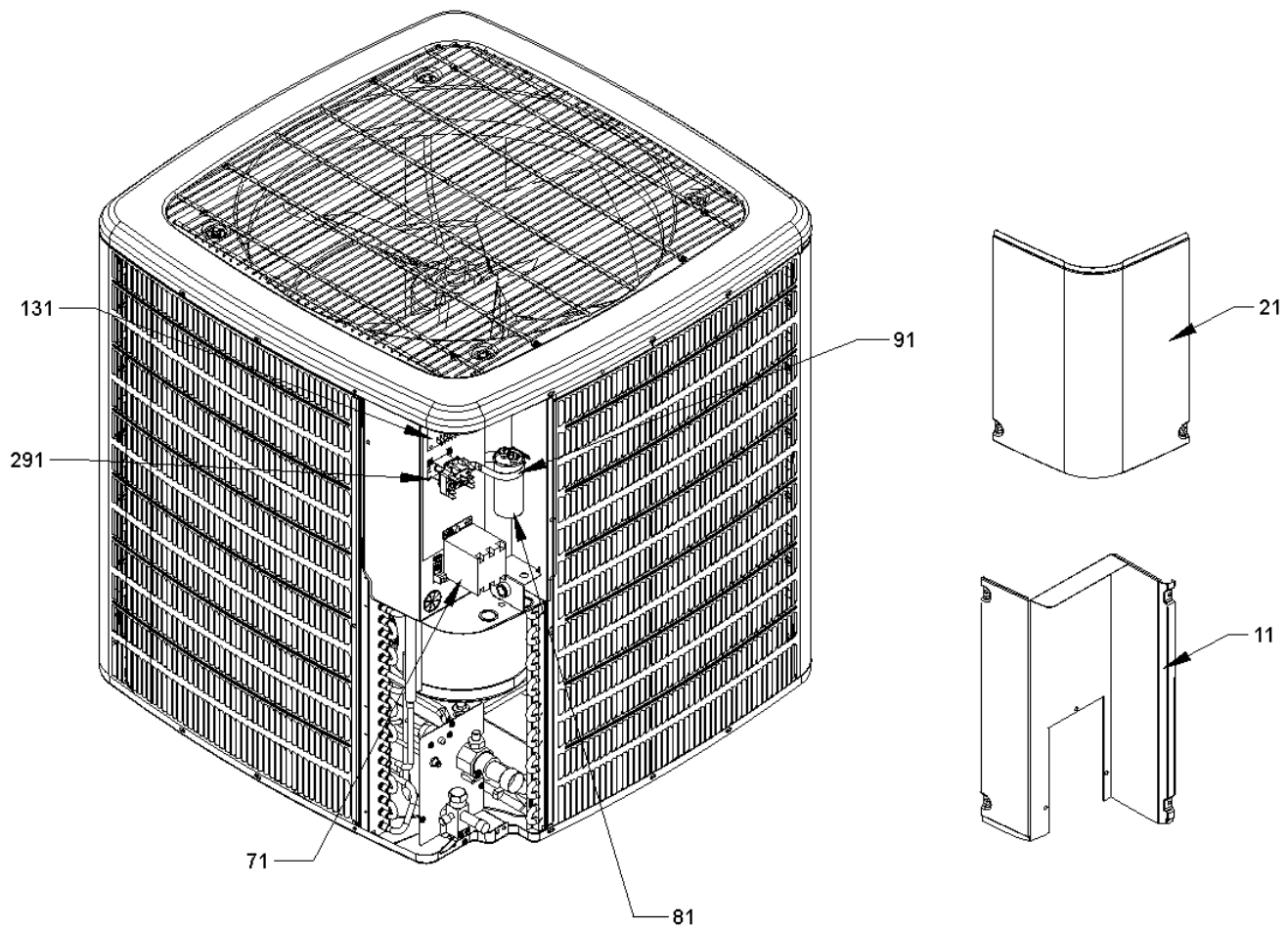
SPECIAL PARTS

0161R00009P	NAMEPLATE
B1372801	SIGHT GLASS CL90/120

Expanded Model Nomenclature

M1 - GSH100903AA
M2 - GSH100903AB
M3 - GSH100903BA
M4 - GSH100904AA
M5 - GSH100904AB
M6 - GSH100904BA
M7 - GSH101203AA
M8 - GSH101203AB
M9 - GSH101203AD
M10 - GSH101204AA
M11 - GSH101204AB
M12 - GSH101204AC

CONTROL COVER/CONTROL BOX



CONTROL COVER/CONTROL BOX

Ref. Part No: No:	Description:	Ref. Part No: No:	Description:
-------------------	--------------	-------------------	--------------

Image 1:

11	4400211PDG	LOWER ACCESS PANEL (M3, M6, M7, M8, M9, M10, M11, M12)
11	4400212PDG	LOWER ACCESS PANEL (M1, M2, M4, M5)
21	0121R00053PDG	CONTROL COVER
71	CONT3P040024VS	CONTACTOR 40 AMP, 3P, 24V
81	CAP200000440RPS	CAPACITOR 20/370V
91	4400065	CAPACITOR STRAP
131	PCBDM101S	DEFROST CONTROL BOARD (M3, M6, M9, M12)
291	0130M00025S	24V RELAY
NS	B1370803	DEFROST THERMOSTAT
NS	0161R00009P	NAMEPLATE

Expanded Model Nomenclature

M1 - GSH100903AA
M2 - GSH100903AB
M3 - GSH100903BA
M4 - GSH100904AA
M5 - GSH100904AB
M6 - GSH100904BA
M7 - GSH101203AA
M8 - GSH101203AB
M9 - GSH101203AD
M10 - GSH101204AA
M11 - GSH101204AB
M12 - GSH101204AC

COMPRESSOR/TUBING ASSEMBLY

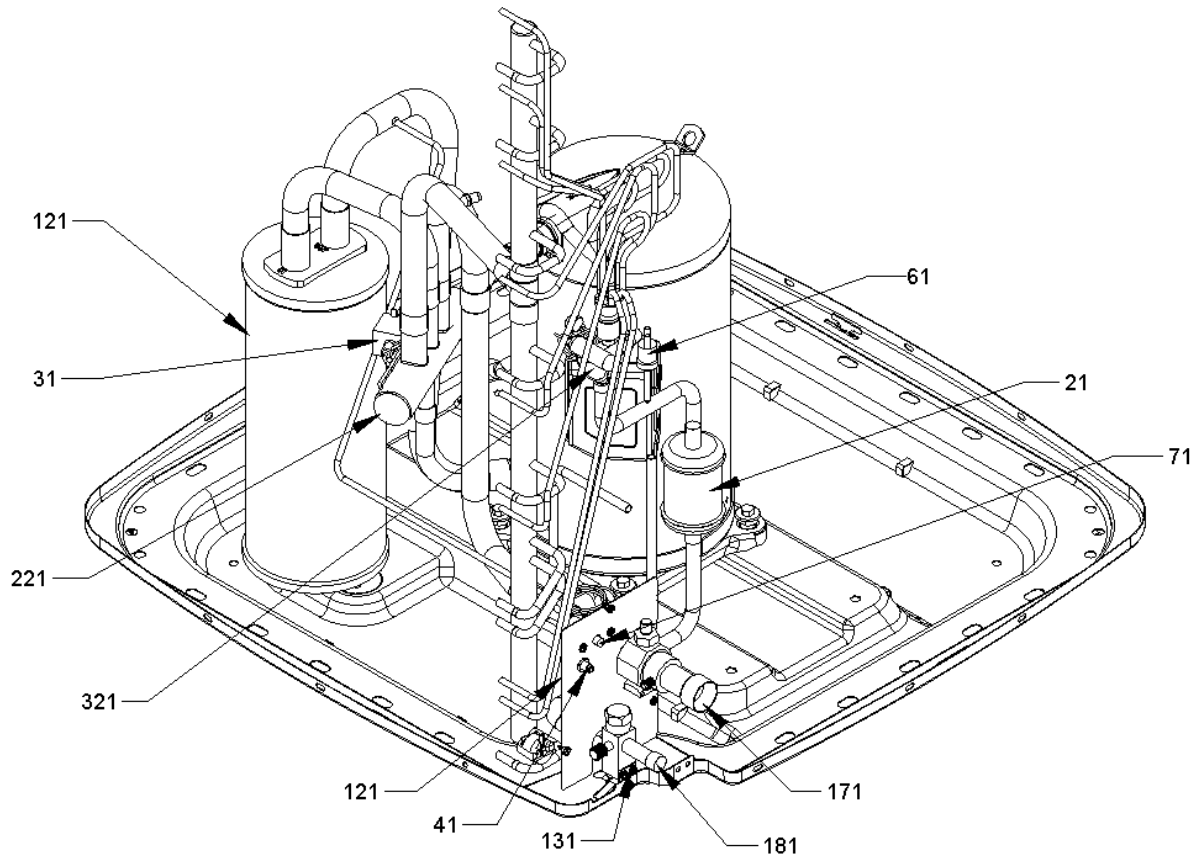


Image 1

Image 2

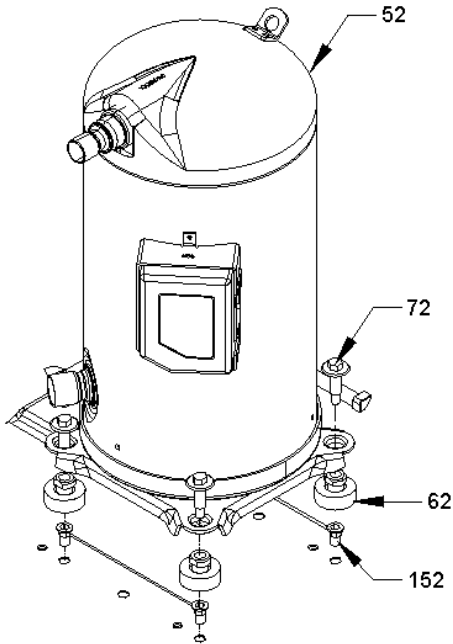
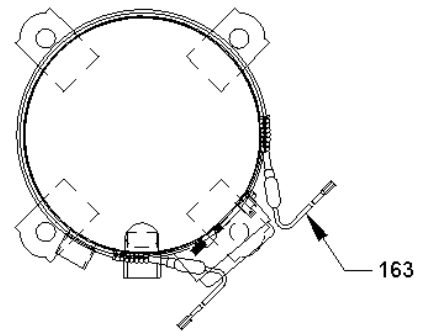


Image 3



TOP VIEW OF COMPRESSOR

COMPRESSOR/TUBING ASSEMBLY

Ref. Part No: No:	Description:	Ref. Part No: No:	Description:
-------------------	--------------	-------------------	--------------

Image 1:

21	B1219227	FILTER DRIER (BI-FLOW)
31	B1225020	SOLENOID COIL CORD W/1/4"TERMINAL (M1, M2, M4, M5)
41	B1787000	VALVE CORE
61	B1360719	CUT-OUT SWITCH, LOW PRESSURE
71	B1360721	CUT-OUT SWITCH, HIGH PRESSURE
121	B1226212	ACCUMULATOR
131	4400031	VALVE BRACKET
171	0151R00030	BASE VALVE 1 1/8"
181	B1282573	5/8" SERVICE VALVE
221	0151R00000P	VALVE, REVERSING CPLE120 (M3, M6, M7, M8, M9, M10, M11, M12)
221	0151R00001P	VALVE, REVERSING CPLE090 (M1, M2, M4, M5)
321	0151R00008	EXPANSION VALVE/DIST TUBE ASSY (M7, M8, M9, M10, M11, M12)
321	0151R00010	EXPANSION VALVE/DIST TUBE ASSY (M1, M2, M4, M5)
321	0151R00031	EXPANSION VALVE/DIST TUBE ASSY (M3, M6)
NS	0121R00007PDG	BASE PAN 35"
NS	B1372801	SIGHT GLASS CL90/120

Image 2:

52	ZR108KCTF5950	COMPRESSOR 10900, 200/230/60/3 (M7, M8, M9)
52	ZR108KCTFD950	COMPRESSOR 10900, 460/60/3 (M10, M11, M12)
52	ZR84KCTF5950	COMPRESSOR 85500, 200/230/60/3 (M1, M2, M3)
52	ZR84KCTFD950	COMPRESSOR 85500, 460/60/3 (M4, M5, M6)
72	B1393740	COMPRESSOR BOLT & SLEEVE (QTY 4)
152	B1393027	HEX NUT INSERT 5/16-18 (QTY 4)

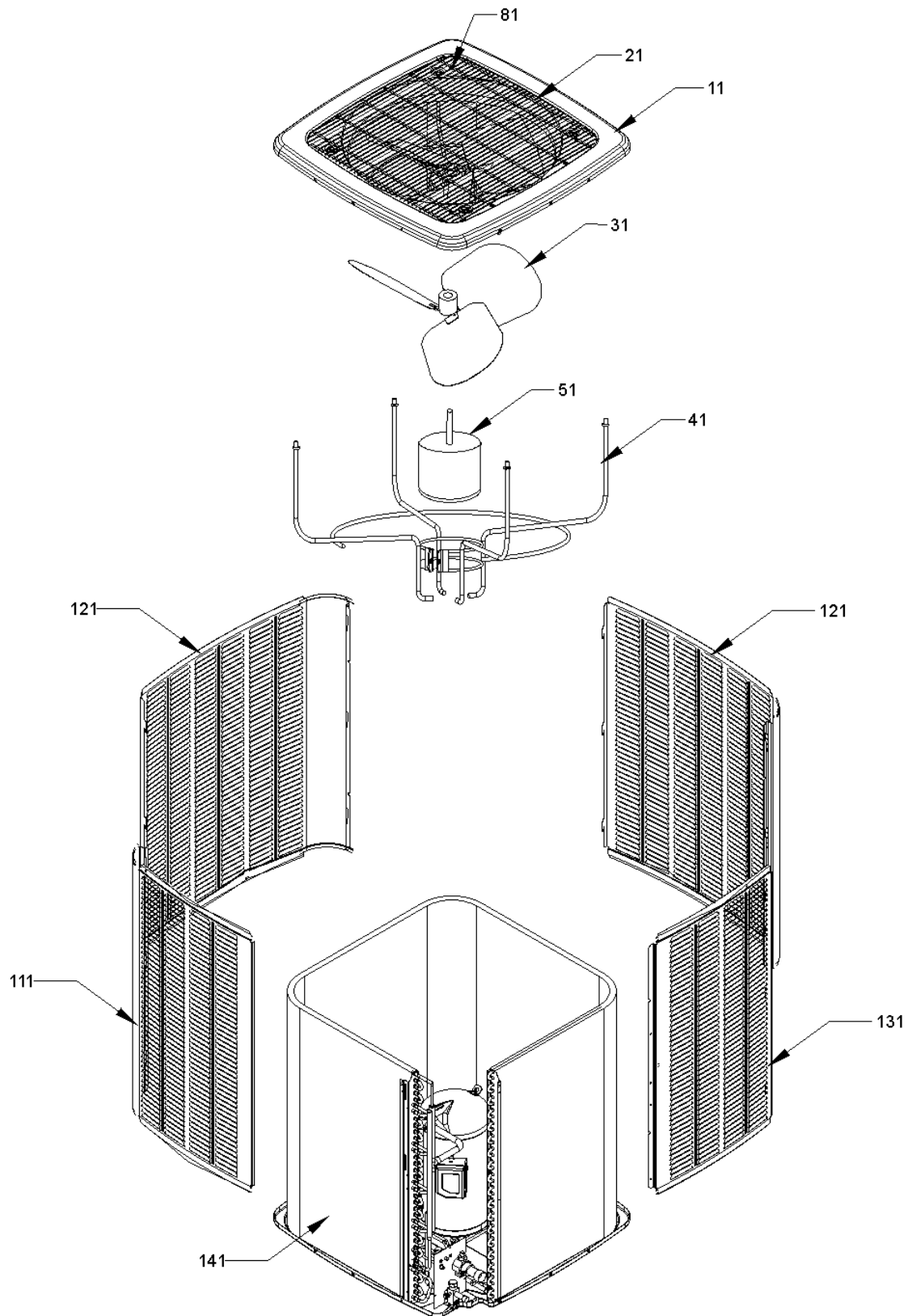
Image 3:

163	B1243732	CRANKCASE HEATER 460V, 75 WATTS (M4, M5, M6, M10, M11, M12)
163	B1243731	CRANKCASE HEATER 75W, 240V (M1, M2, M3, M7, M8, M9)

Expanded Model Nomenclature

M1 - GSH100903AA
M2 - GSH100903AB
M3 - GSH100903BA
M4 - GSH100904AA
M5 - GSH100904AB
M6 - GSH100904BA
M7 - GSH101203AA
M8 - GSH101203AB
M9 - GSH101203AD
M10 - GSH101204AA
M11 - GSH101204AB
M12 - GSH101204AC

COIL/CABINET TOP/SIDE PANELS



COIL/CABINET TOP/SIDE PANELS

Ref. Part No: No:	Description:	Ref. Part No: No:	Description:
-------------------	--------------	-------------------	--------------

Image 1:

11	0121R00013PDG	VENTURI TOP PANEL 35"
21	0152R00003	WIRE GRILL 35"
31	B1086768	FAN BLADE 26"
41	0121R00301	BRACKET, MOTOR MOUNTING
51	0131M00040S	COND MOTOR 1 HP, 1 SP, 230V (M1, M2, M3, M7, M8, M9)
51	0131M00041S	COND MOTOR 1 HP, 1 SP, 460V (M4, M5, M6, M10, M11, M12)
81	0163M00020	SCREW, #12 X 1 1/4 (QTY 4)
111	0121R00044PDGB	LOUVERED SIDE PANEL (M1, M2, M4, M5)
111	0121R00043PDGB	LOUVERED SIDE PANEL [LT OF CNTL PNL] (M3, M6, M7, M8, M9, M10, M11, M12)
121	0121R00048PDGB	LOUVERED SIDE PANEL (M1, M2, M4, M5)
121	0121R00047PDGBS	PANEL 2,BENT LOUVER 35_36.0 (M3, M6, M7, M8, M9, M10, M11, M12)
131	0121R00052PDG	LOUVERED SIDE PANEL (M1, M2, M4, M5)
131	0121R00051PDG	LOUVERED SIDE PANEL [RT OF CNTL PNL] (M3, M6, M7, M8, M9, M10, M11, M12)
141	0201R00085	COIL TBG 36XL 9CR 1CTC (M7, M8, M9, M10, M11, M12)
141	0201R00397	COIL TBG 36XL 9CR 1CTC (M3, M6)
141	0201R00083S	COIL TBG 40XL 8CR 1CTC (M1, M2, M4, M5)

Expanded Model Nomenclature

M1 - GSH100903AA
M2 - GSH100903AB
M3 - GSH100903BA
M4 - GSH100904AA
M5 - GSH100904AB
M6 - GSH100904BA
M7 - GSH101203AA
M8 - GSH101203AB
M9 - GSH101203AD
M10 - GSH101204AA
M11 - GSH101204AB
M12 - GSH101204AC