



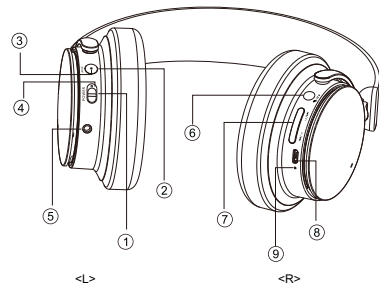
GID5B

BLUETOOTH AND ANC HEADPHONES QUICK START GUIDE

In the box

- Headphones
- Micro-USB charging cable
- AUX cable
- Pouch
- Quick start guide

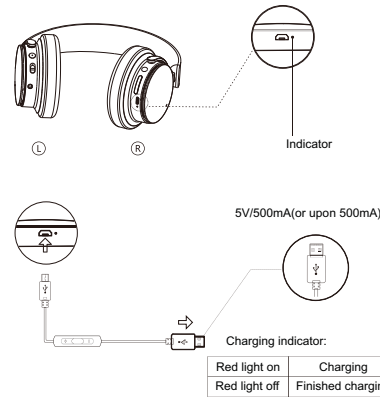
Product Overview



- <L> <R>
- Power button
 - ANC button
 - ANC indicate
 - Bluetooth indicate
 - 3.5mm audio jack
 - MFB Multi-function button
 - Volume up/down,next/prev
 - Micro-USB charging port
 - Charging indicate

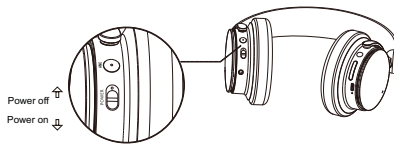
Operation

1 Charge



2 Power on /Power off

Slide power button to switch headset on and off. Bluetooth and ANC function will be activated by default when power on.



ANC indicator light

Green light on	ANC activated
Red and green alternately	Low battery alarm
Light off	ANC off

Bluetooth indicator light

Light on	Bluetooth connected
Blue light flash slowly	Bluetooth No connection / back connection
Blue light flashing	Search to be connected / restore factory
Light off	Power off/wire connected

3 Bluetooth mode

Connect with Bluetooth

- Turn on the Bluetooth function on your device.
- Switch on power button, the Bluetooth indicator flashes blue light.
- Choose your headphones from your connection list (Pairing name is GID5B)
- Under not connected mode, long press MFB key for 5s to pair GID5B with your device.

Phone calls

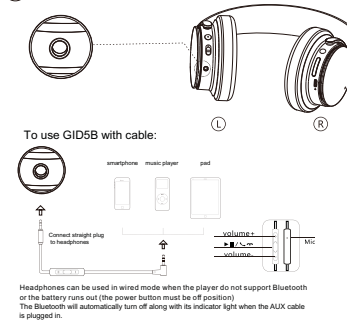
Answer calls	Press the MFB key when calls coming.
Reject calls	Press and hold the MFB key
End calls	Press the MFB key when calling
Hold a call: when A is on the line, B calls in A is on the line, reject B	Press MFB key. End the call with A to connect with B; Double press the MFB key: Transfer from A to B or B to A. Press and hold MFB key :

Music

Play/pause music	Short press MFB key once
Next Song	Click Volume Down
Previous Song	Click Volume Up
Volume Up	Long press the volume up. Each 0.5S volume plus one
Volume Down	Long press the volume down. Each 0.5S volume minus one

Operation

4 Wired mode



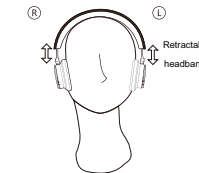
Wear

5 How to wear GID5B

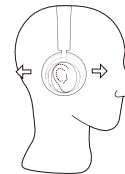
- There is R(for right ear) and L(for left ear) sign on ear-cups. Please make sure you wear GID5B in correct direction as intended.



2.Headband length adjustment



- When you are wearing GID5B, please adjust the position of ear cups, so your ears could be completely wrapped to ensure the quality of ANC noise-canceling function.



Specifications

6 Specifications

Mode No.	GID5B
Driver Type	Dynamic
Driver Diameter	40mm
Driver Impedance	32 Ohms±15%Ω
Sensitivity	100dB±3dB/mW (ANC Off) 101dB±3dB/mW (ANC On)
Frequency Range	12Hz-20KHz
ANC Peak Value	>25dB
ANC Bandwidth	25Hz-1KHz
Battery Capacity	600mAh
Play Time	>25 hrs @ BT on streaming at 1/2 ROP without ANC on, >16 hrs Plus ANC on > 10 hrs at Max Level.
Dimension	195±5*170±5*94±5 (unit mm)

Tips

7 Tips

- Please turn the power off when it is not used.
- Reset the headphone, press the ANC button and the Volume + button together.
- When rarely used, please regularly charge the headphones every 6 months to extend its battery lifespan.
- For security reasons, is not recommended to use while charging.
- When used in wired mode connecting with external audio devices, for some Android phones, the control keys of audio cable may not work.
- For CSR 64215 Bluetooth chip limitations, headset connection may not be compatible with some Android phones.
- For CSR 64215 Bluetooth chip limitations, when headset simultaneous connection of two playback devices, any one device to play music, the music may occur intermittent.
- You can change the bluetooth SSID name in your device, when use headset connecting with Android phones, ios version phones can not change SSID name.



FCC COMPLIANCE STATEMENT

This device complies with part 15 of the FCC Rules.

FCC Statement

This equipment has been tested and found to comply with the limits for a Class B digital device, pursuant to part 15 of the FCC Rules. These limits are designed to provide reasonable protection against harmful interference in a residential installation. This equipment generates uses and can radiate radio frequency energy and, if not installed and used in accordance with the instructions, may cause harmful interference to radio communications. However, there is no guarantee that interference will not occur in a particular installation. If this equipment does cause harmful interference to radio or television reception, which can be determined by turning the equipment off and on, the user is encouraged to try to correct the interference by one or more of the following measures:

- Reorient or relocate the receiving antenna.
- Increase the separation between the equipment and receiver.
- Connect the equipment into an outlet on a circuit different from that to which the receiver is connected.
- Consult the dealer or an experienced radio/TV technician for help.

FCC Statement

This device complies with FCC radiation exposure limits set forth for an uncontrolled environment. This device complies with Part 15 of the FCC Rules. Operation is subject to the following two conditions: (1) this device may not cause harmful interference, and (2) this device must accept any interference received, including interference that may cause undesired operation.

Caution!

Any changes or modifications not expressly approved by the party responsible for compliance could void the user's authority to operate the equipment.



This product conforms to all applicable EU directive requirements.



Correct disposal of This Product (Waste Electrical & Electronic Equipment)
(Applicable in the European Union and other European countries with separate collection systems)

This marking shown on the product or its literature indicates that it should not be disposed with other household wastes at the end of its working life. To prevent possible harm to the environment or human health from uncontrolled waste disposal, please separate this from other types of wastes and recycle it responsibly to promote the sustainable reuse of material resources. Household users should contact either the retailer where they purchased this product, or their local government office for details of where and how they can take this item for environmentally safe recycling. Business users should contact their supplier and check the terms and conditions of the purchase contract. This product should not be mixed with other commercial wastes for disposal.