



Thermostat E
Installation Guide

We take your privacy seriously

We're committed to being open and honest about how we use data. We'll always ask for permission before sharing personally identifiable information like your email address, and we keep your data safe with industry standard security tools. To learn more about our Privacy Policy, go to nest.com/privacy

Compatibility

The Nest Thermostat E works with most 24V systems, including forced air, variable speed, heat pump and radiant systems, as well as common fuel types such as natural gas, electricity and oil.

It can control:

- Heating and cooling: one stage of heating and cooling, and a second stage of either heating or cooling
- Heat pumps: with auxiliary and emergency heat
- Fans: one speed

You can check your system's compatibility at nest.com/works

Professional installation is recommended for dual fuel systems (heat pump with furnace).

Watch the video

To see an overview of how to install the Nest Thermostat, visit support.nest.com/thermostat-e

¿Prefieres leer esto en español? Visita nest.com/es-guide



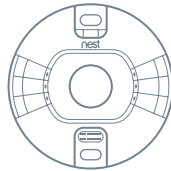
Don't want to install your Nest Thermostat yourself?

The Nest Thermostat is designed for DIY installation, but you can also hire a Nest Pro to do it for you. They'll take care of installation and make sure everything's up and running. Go to nest.com/install to find a Nest Pro installer near you.

In the box



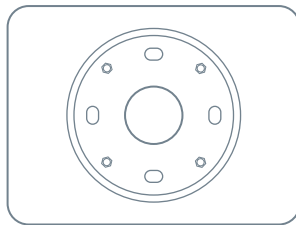
Display



Base



Wall screws



Trim plate

1. Switch off power

This protects you and avoids blowing a fuse in your equipment. To make sure the power is off, change the temperature with your current thermostat and wait at least five minutes to be sure that your system doesn't turn on.



Breaker box

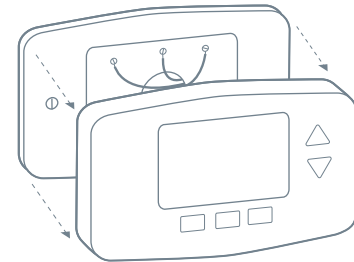
or



System switch

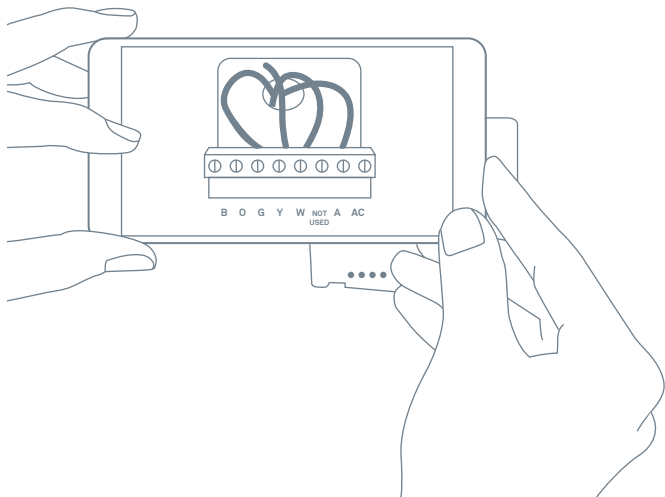
2. Remove the cover

Some thermostat covers pop off, while others need to be unscrewed. Older thermostats may have a second plate that should also be removed to expose the wires.



3. Take a picture of the wires

Take a picture of your thermostat's wires and save it for reference. Make sure you can read the wire terminal labels.

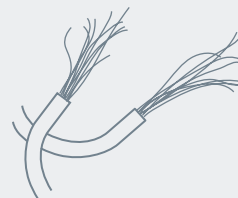


IMPORTANT: If there are two labels on your thermostat's wire connectors, go to nest.com/labels for detailed help and instructions.

Incompatible wiring and voltage

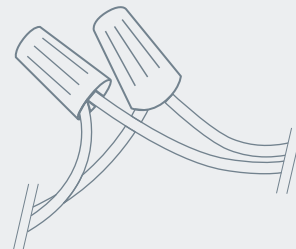
Stranded wires

Stranded wires aren't compatible with the Nest Thermostat.



High-voltage wires

If your thermostat is labeled 120V or 240V, or has thick wires with wire nuts, or has L1 and L2 terminal blocks, your system is high voltage and isn't compatible with the Nest Thermostat.



4. Use the compatibility checker

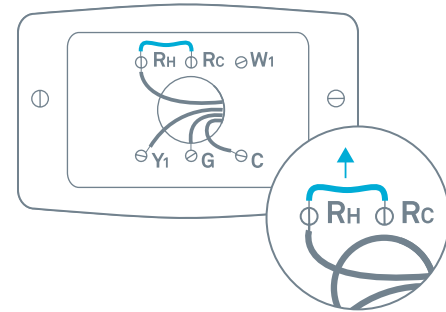
If you haven't already, go to nest.com/works and enter your thermostat's wires into the compatibility checker.

- Enter only the connectors on your thermostat that have wires in them
- Do not use wire colors – enter the connector labels
- Do not enter any jumper wires into the checker (see step 5)

If your system is compatible, you'll get a custom wiring diagram that you will need to install your Nest Thermostat. You can print it or email it to yourself.

5. Remove any jumper wires

Jumper wires are short wires between two connectors. The Nest Thermostat doesn't need jumpers. If your thermostat has jumpers, remove them, but save them along with your old thermostat.

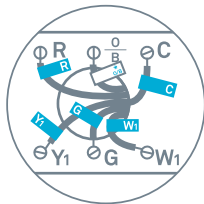


IMPORTANT: If you have Rh and Rc wires, you have a dual transformer system. The Nest Thermostat E is not compatible with dual transformer systems, but you may be able to use the 3rd generation Nest Learning Thermostat.

6. Label the wires

Peel off the labels below and attach them to the thermostat's matching wires.

Note: If you have an Rc or Rh wire, put the R label on it.



Wiring tips

Wire colors can vary, but:

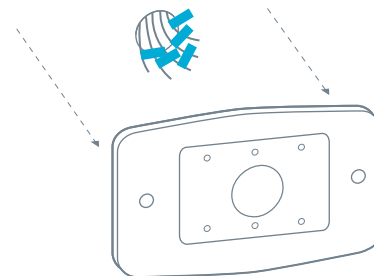
- Common or C wires are generally blue.
- If there's an orange wire in the connector labeled both W and O/B, then you likely have a heat pump. Put this wire in the Nest Thermostat's *O/B connector.
- If there's a white wire in the connector labeled both W and O/B, then you probably don't have a heat pump. Put this wire in the Nest Thermostat's W connector.

IMPORTANT: If you're unsure about wiring your thermostat, go to [nest.com/install](https://www.nest.com/install) to contact a Nest Pro in your area.

7. Disconnect wires and remove base

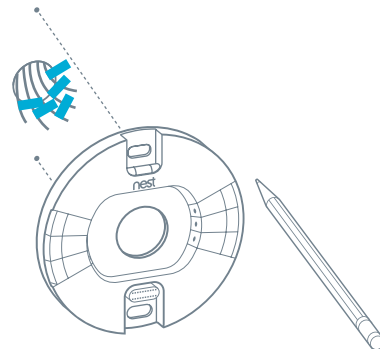
After removing the thermostat base, gently wrap the wires around a pen or pencil so they don't fall back into the hole in the wall.

Remember, the power to your HVAC system must be off to avoid blowing a fuse in your equipment.



8. Mark where screws will go

Use the built-in bubble level to make sure the base is level.

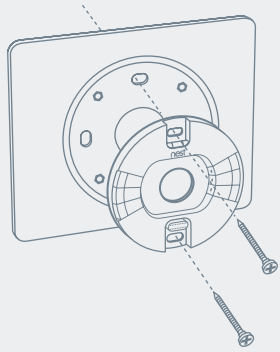


Optional in most homes

Use the included trim plate if needed

If you don't want to paint over holes or marks left by your old thermostat, you can use the optional trim plate.

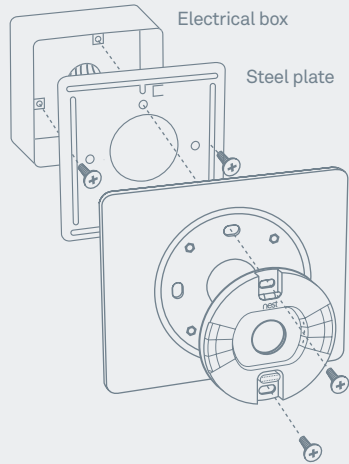
Snap the thermostat base and trim plate together, then screw the plate to the wall.



If you have an electrical box

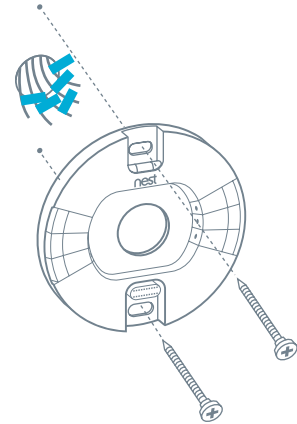
Electrical boxes aren't common, but if you have one, you'll need to purchase a steel plate and screws from [nest.com](https://www.nest.com) for installation.

Secure the steel plate to the electrical box with two of the screws. Use the other two screws to attach the Nest base and trim plate.



9. Install the Nest base

Pull the wires through the center of the base, then attach it to the wall with the screws.



10. Connect wires

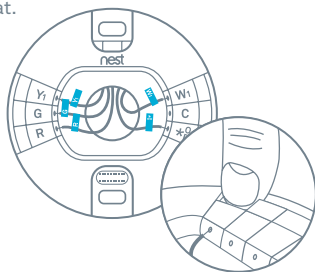
Use the wiring diagram you got from the compatibility checker in step 4 to connect your system wires to the Nest Thermostat.



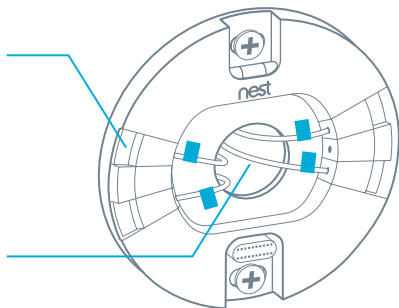
The exposed wire should be straight.

Note: If you have an R, Rc or Rh wire, you can put it into the R connector on the Nest Thermostat.

If you have a W2, Y2 or O/B wire, you can put it into the *O/B connector, if needed.



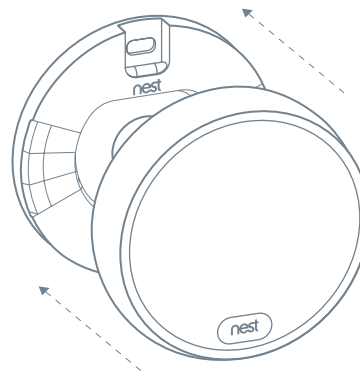
Gently tug each wire to check they're secure, and make sure each connector that has a wire stays down.



After all the wires are securely connected, push them down to make sure they're flush with the base.

11. Attach the display

Push the display onto the base until it clicks.



12. Switch the power back on



Breaker box

or



System switch

13. Setup

The Nest Thermostat will turn on and walk you through setup. You can select a language, connect it to Wi-Fi, and tell it some things about your home and system so it can help save energy.

The Nest Thermostat doesn't have a touchscreen. Turn the thermostat display and press it down to select.



14. Control it with the Nest app

Download the free Nest app so you can control your thermostat with your phone. You'll also receive a monthly Home Report that shows your energy use.

You can get the app on Google Play™ or the App Store®, or go to home.nest.com if you don't have a phone handy.



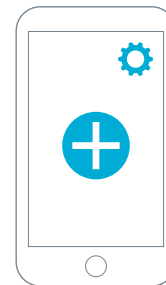
15. Add your thermostat to your account

If you're new to Nest, tap the plus sign on the app home screen, then select Nest Thermostat.

If you already have Nest products in your account, tap the Settings icon, then select thermostat.

The app will show you how to add your thermostat to your Nest Account.

If you need help, visit nest.com/pair



Using your thermostat

Your thermostat can automatically start learning your schedule, or you can choose a schedule with preset times and temperatures. You can edit your schedule at any time.

For help getting started, learning about Nest Thermostat features, energy saving tips and more, go to nest.com/thermostatbasics



Nest Labs, Inc. Limited Warranty Nest Thermostat E

THIS LIMITED WARRANTY CONTAINS IMPORTANT INFORMATION ABOUT YOUR RIGHTS AND OBLIGATIONS, AS WELL AS LIMITATIONS AND EXCLUSIONS THAT MAY APPLY TO YOU.

1. WHAT THIS LIMITED WARRANTY COVERS; PERIOD OF COVERAGE

Nest Labs, Inc. ("Nest Labs"), 3400 Hillview Avenue, Palo Alto, California USA, warrants to the owner of the enclosed product that the product contained in this box ("Product") will be free from defects in materials and workmanship for a period of one (1) year from the date of delivery following the original retail purchase, and if a Nest Pro sells and installs the Product and enters a valid Nest Pro ID during setup, an additional two (2) years, resulting in a warranty period of three (3) years for that Product (collectively, the "Warranty Period"). If the Product fails to conform to this Limited Warranty during the Warranty Period, Nest Labs will, at its sole discretion, either (a) repair or replace any defective Product or component; or (b) accept the return of the Product and refund the money actually paid by the original purchaser for the Product. Repair or replacement may be made with a new or refurbished product or components, at Nest Labs' sole discretion. If the Product or a component incorporated within it is no longer available, Nest Labs may, at Nest Labs' sole discretion, replace the Product with a similar product of similar function. This is your sole and exclusive remedy for breach of this Limited Warranty. Any Product that has either been repaired or replaced under this Limited Warranty will be covered by the terms of this Limited Warranty for the longer of (a) ninety (90) days from the date of delivery of the repaired Product or replacement Product, or (b) the remaining Warranty Period. This Limited Warranty is transferable from the original purchaser to subsequent owners, but the Warranty Period will not be extended in duration or expanded in coverage for any such transfer.

2. TOTAL SATISFACTION RETURN POLICY

If you are the original purchaser of the Product and you are not satisfied with this Product for any reason, you may return it in its original condition within thirty (30) days of the original purchase and receive a full refund.

3. WARRANTY CONDITIONS; HOW TO GET SERVICE IF YOU WANT TO CLAIM UNDER THIS LIMITED WARRANTY

Before making a claim under this Limited Warranty, the owner of the Product must (a) notify Nest Labs of the intention to claim by visiting nest.com/support during the Warranty Period and providing a description of the alleged failure, and (b) comply with Nest Labs' return shipping instructions. Nest Labs will have no warranty obligations with respect to a returned Product if it determines, in its reasonable discretion after examination of the returned Product, that the Product is an Ineligible Product (defined below). Nest

Labs will bear all costs of return shipping to owner and will reimburse any shipping costs incurred by the owner, except with respect to any Ineligible Product, for which owner will bear all shipping costs.

4. WHAT THIS LIMITED WARRANTY DOES NOT COVER

This Limited Warranty does not cover the following (collectively "Ineligible Products"): (i) Products marked as "sample" or "Not for Sale"; or sold "AS IS"; (ii) Products that have been subjected to; (a) modifications or alterations, tampering, or improper maintenance or repairs; (b) handling, storage, installation, testing, or use not in accordance with the User's Guide or other instructions provided by Nest Labs; (c) abuse or misuse of the Product; (d) breakdowns, fluctuations, or interruptions in electric power or the telecommunications network; or (e) Acts of God, including but not limited to lightning, flood, tornado, earthquake, or hurricane; or (iii) any non-Nest Labs branded hardware products, even if packaged or sold with Nest Labs hardware. This Limited Warranty does not cover consumable parts, including batteries, unless damage is due to defects in materials or workmanship of the Product, or software (even if packaged or sold with the product). Nest Labs recommends that you use only authorized service providers for maintenance or repair. Unauthorized use of the Product or software can impair the Product's performance and may invalidate this Limited Warranty.

5. DISCLAIMER OF WARRANTIES

EXCEPT AS STATED ABOVE IN THIS LIMITED WARRANTY, AND TO THE MAXIMUM EXTENT PERMITTED BY APPLICABLE LAW, NEST LABS DISCLAIMS ALL EXPRESS, IMPLIED, AND STATUTORY WARRANTIES AND CONDITIONS WITH RESPECT TO THE PRODUCT, INCLUDING THE IMPLIED WARRANTIES OF MERCHANTABILITY AND FITNESS FOR A PARTICULAR PURPOSE. TO THE MAXIMUM EXTENT PERMITTED BY APPLICABLE LAW, NEST LABS ALSO LIMITS THE DURATION OF ANY APPLICABLE IMPLIED WARRANTIES OR CONDITIONS TO THE DURATION OF THIS LIMITED WARRANTY.

6. LIMITATION OF DAMAGES

IN ADDITION TO THE ABOVE WARRANTY DISCLAIMERS, IN NO EVENT WILL NEST LABS BE LIABLE FOR ANY CONSEQUENTIAL, INCIDENTAL, EXEMPLARY, OR SPECIAL DAMAGES, INCLUDING ANY DAMAGES FOR LOST DATA OR LOST PROFITS, ARISING FROM OR RELATING TO THIS LIMITED WARRANTY OR THE PRODUCT, AND NEST LABS' TOTAL CUMULATIVE LIABILITY ARISING FROM OR RELATED TO THIS LIMITED WARRANTY OR THE PRODUCT WILL NOT EXCEED THE AMOUNT ACTUALLY PAID FOR THE PRODUCT BY THE ORIGINAL PURCHASER.

7. LIMITATION OF LIABILITY

THE NEST LABS ONLINE SERVICES ("SERVICES") PROVIDE YOU INFORMATION ("PRODUCT INFORMATION") REGARDING YOUR NEST PRODUCTS

OR OTHER PERIPHERALS CONNECTED TO YOUR PRODUCTS ("PRODUCT PERIPHERALS"). THE TYPE OF PRODUCT PERIPHERALS THAT MAY BE CONNECTED TO YOUR PRODUCT MAY CHANGE FROM TIME TO TIME. WITHOUT LIMITING THE GENERALITY OF THE DISCLAIMERS ABOVE, ALL PRODUCT INFORMATION IS PROVIDED FOR YOUR CONVENIENCE, "AS IS", AND "AS AVAILABLE". NEST LABS DOES NOT REPRESENT, WARRANT, OR GUARANTEE THAT PRODUCT INFORMATION WILL BE AVAILABLE, ACCURATE, OR RELIABLE OR THAT PRODUCT INFORMATION OR USE OF THE SERVICES OR PRODUCT WILL PROVIDE SAFETY IN YOUR HOME, YOU USE ALL PRODUCT INFORMATION, THE SERVICES, AND THE PRODUCT AT YOUR OWN DISCRETION AND RISK. YOU WILL BE SOLELY RESPONSIBLE FOR (AND NEST LABS DISCLAIMS) ANY AND ALL LOSS, LIABILITY, OR DAMAGES, INCLUDING TO YOUR WIRING, FIXTURES, ELECTRICITY, HOME, PRODUCT, PRODUCT PERIPHERALS, COMPUTER, MOBILE DEVICE, AND ALL OTHER ITEMS AND PETS IN YOUR HOME, RESULTING FROM YOUR USE OF THE PRODUCT INFORMATION, SERVICES, OR PRODUCT. PRODUCT INFORMATION PROVIDED BY THE SERVICES IS NOT INTENDED AS A SUBSTITUTE FOR DIRECT MEANS OF OBTAINING THE INFORMATION. FOR EXAMPLE, A NOTIFICATION PROVIDED THROUGH THE SERVICE IS NOT INTENDED AS A SUBSTITUTE FOR AUDIBLE AND VISIBLE INDICATIONS IN THE HOME AND ON THE PRODUCT, NOR FOR A THIRD PARTY MONITORING SERVICE THAT MONITORS ALARM STATE.

8. YOUR RIGHTS AND THIS LIMITED WARRANTY

This Limited Warranty gives you specific legal rights. You may also have other legal rights that vary by state, province, or jurisdiction. Likewise, some of the limitations in this Limited Warranty may not apply in certain states, provinces or jurisdictions. The terms of this Limited Warranty will apply to the extent permitted by applicable law. For a full description of your legal rights you should refer to the laws applicable in your jurisdiction and you may wish to contact a relevant consumer advisory service.

064-00122-US

For more information, visit nest.com

Need help? Contact us at nest.com/support

For FCC Compliance Statement, visit nest.com/legal/fcc-compliance-notice



Please recycle Nest's packaging.

RECYCLING AND DISPOSAL
Visit nest.com/recycle



FCC Compliance Notice

This equipment has been tested and found to comply with the limits for a Class B digital device, pursuant to part 15 of the FCC Rules. These limits are designed to provide reasonable protection against harmful interference in a residential installation. This equipment generates, uses and can radiate radio frequency energy and, if not installed and used in accordance with the instructions, may cause harmful interference to radio communications. However, there is no guarantee that interference will not occur in a particular installation. If this equipment does cause harmful interference to radio or television reception, which can be determined by turning the equipment off and on, the user is encouraged to try to correct the interference by one or more of the following measures:

- Reorient or relocate the receiving antenna.
- Increase the separation between the equipment and receiver.
- Connect the equipment into an outlet on a circuit different from that to which the receiver is connected.
- Consult the dealer or an experienced radio/TV technician for help.

This device complies with part 15 of FCC rules. Operation is subject to the following two conditions:

1. This device may not cause harmful interference.
2. This device must accept any interference received, including interference that may cause undesired operation.

Change or modifications that are not expressly approved by the manufacturer could void the user's authority to operate the equipment.

RF Exposure Information

This equipment complies with FCC radiation exposure limits set forth for an uncontrolled environment. In order to avoid the possibility of exceeding the FCC radio frequency exposure limits, human proximity to the antenna shall not be less than 20cm during normal operation.

Legal Items

[Privacy Policy for Nest Web Sites](#)

[Privacy Statement for Nest Products and Services](#)

[Terms of Service](#)

[End User License Agreement](#)

[Limited Warranty](#)

[Open Source Compliance](#)

[Sales Terms](#)

[Intellectual Property and Other Notices](#)

[Community Forum Agreement](#)

[FCC Compliance Notice](#)

[Customer Agreements for Rush Hour Rewards](#)

[Customer Agreements for Rebates](#)

[Customer Agreements for Safety Rewards](#)

[Transparency Report](#)



Get Nest for less
Find rebates, rewards and new ways to save.



Find an installer
Get help installing your Nest products.



Works with Nest
Explore what connects with the rest of your Nest.

STORE

[Nest Thermostat](#)
[Nest Protect](#)
[Nest Cam Indoor](#)
[Nest Cam Outdoor](#)
[Works with Nest](#)
[Where to buy](#)

COMPANY

[Support](#)
[About us](#)
[Blog](#)
[Responsibility](#)
[Careers](#)
[Press](#)
[Video](#)

PROGRAMS

[Nest Pro](#)
[Developer](#)
[Rebates & Rewards](#)
[Energy Partners](#)
[Insurance Partners](#)
[Nest for Business](#)

Enter email for Nest news



CHANGE >