

Check-Mate[®] Displacement Pumps

312375J

EN

With priming piston and Severe Duty[®] or MaxLife[®] rod and cylinder.
For professional use only.
Not for use in explosive atmospheres.

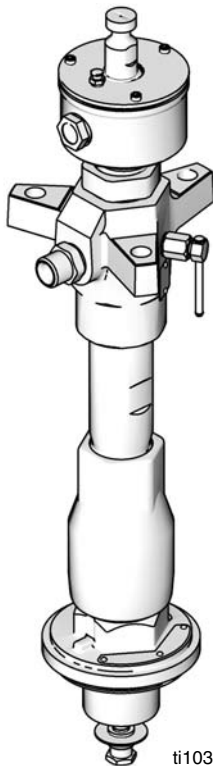


Important Safety Instructions

Read all warnings and instructions in this manual.
Save these instructions.

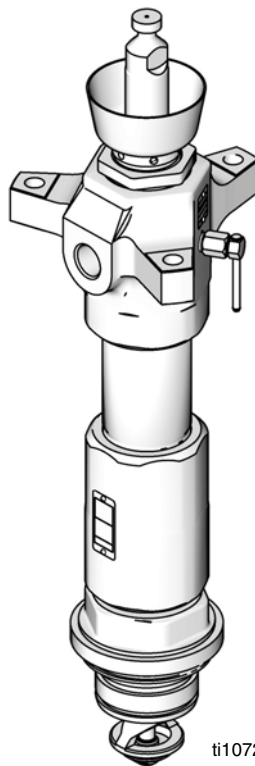
See page 3 for model information. See page 42 for maximum working pressure and approvals.

L100CM Model



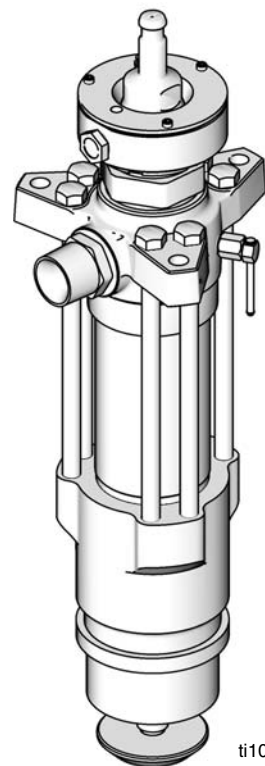
ti10392a

L200CS Model



ti10720a

L500CM Model



ti10396a

Contents

Related Manuals 2

Models 3

Warnings 4

Component Identification 6

Repair 7

 Troubleshooting 7

 Disassembly and Reassembly of Throat Packings
 and Cartridge 7

 Disassembly 8

 Reassembly 12

Parts 18

 60cc Displacement Pumps 18

 100cc Displacement Pumps 19

 200cc and 250cc Displacement Pumps 24

 500cc Displacement Pumps 34

Dimensions 39

Outlet Housing Mounting Hole Layout 40

Technical Data 42

Graco Standard Warranty 44

Graco Information 44

Related Manuals

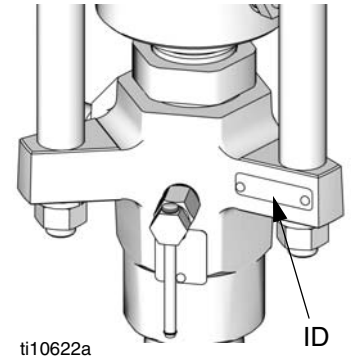
Component Manuals in U.S. English:

Manual	Description
312376	Check-Mate® Pump Packages Instruction-Parts
313526	Supply Units Operation
313527	Supply Units Repair-Parts
313528	Tandem Supply Units Operation
313529	Tandem Supply Units Repair-Parts

Models

Check your displacement pump's identification plate (ID) for the 6-digit part number of your displacement pump. Use the following matrix to define the construction of your displacement pump, based on the six digits. For example, displacement pump Part No. **L250CM** represents the displacement pump (**L**), output volume in cc per cycle (**250**), carbon steel construction (**C**), and MaxLife[®] coatings, packings, and enclosed wet cup (**M**).





To order replacement parts, see **Parts** section starting on page 18. The digits in the matrix do not correspond to the Ref. Nos. in the Parts drawings and lists.








L	250	C		M	
First Digit	Second, Third, and Fourth Digits	Fifth Digit		Sixth Digit	
	Displacement Pump Volume per cycle (cc)		Material		Coatings, Packings, Enclosed Wet Cup
L (displacement pump)	60	C	Carbon Steel	S	Severe Duty
	100	S	Stainless Steel	M	MaxLife
	200				
	250				
	500				

Warnings

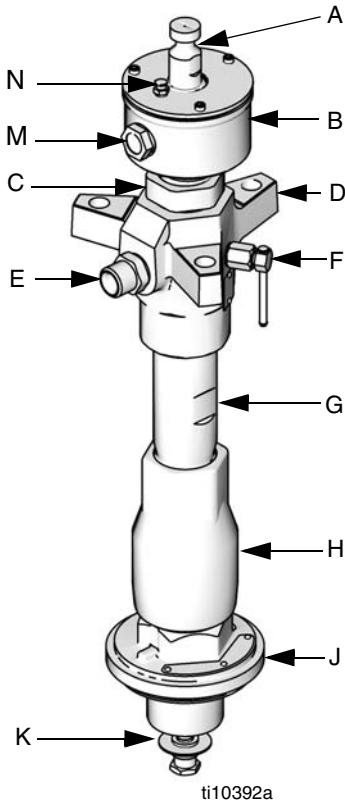
The following warnings are for the setup, use, grounding, maintenance, and repair of this equipment. The exclamation point symbol alerts you to a general warning and the hazard symbol refers to procedure-specific risk. Refer back to these warnings. Additional, product-specific warnings may be found throughout the body of this manual where applicable.

 WARNING	
	<p>SKIN INJECTION HAZARD</p> <p>High-pressure fluid from gun, hose leaks, or ruptured components will pierce skin. This may look like just a cut, but it is a serious injury that can result in amputation. Get immediate surgical treatment.</p> <ul style="list-style-type: none"> • Do not point gun at anyone or at any part of the body. • Do not put your hand over the spray tip. • Do not stop or deflect leaks with your hand, body, glove, or rag. • Do not spray without tip guard and trigger guard installed. • Engage trigger lock when not spraying. • Follow Pressure Relief Procedure in this manual, when you stop spraying and before cleaning, checking, or servicing equipment.
	<p>MOVING PARTS HAZARD</p> <p>Moving parts can pinch or amputate fingers and other body parts.</p> <ul style="list-style-type: none"> • Keep clear of moving parts. • Do not operate equipment with protective guards or covers removed. • Pressurized equipment can start without warning. Before checking, moving, or servicing equipment, follow the Pressure Relief Procedure in this manual. Disconnect power or air supply.
	<p>FIRE AND EXPLOSION HAZARD</p> <p>Flammable fumes, such as solvent and paint fumes, in work area can ignite or explode. To help prevent fire and explosion:</p> <ul style="list-style-type: none"> • Use equipment only in well ventilated area. • Eliminate all ignition sources; such as pilot lights, cigarettes, portable electric lamps, and plastic drop cloths (potential static arc). • Keep work area free of debris, including solvent, rags and gasoline. • Do not plug or unplug power cords, or turn power or light switches on or off when flammable fumes are present. • Ground all equipment in the work area. See Grounding instructions. • Use only grounded hoses. • Hold gun firmly to side of grounded pail when triggering into pail. • If there is static sparking or you feel a shock, stop operation immediately. Do not use equipment until you identify and correct the problem. • Keep a working fire extinguisher in the work area.

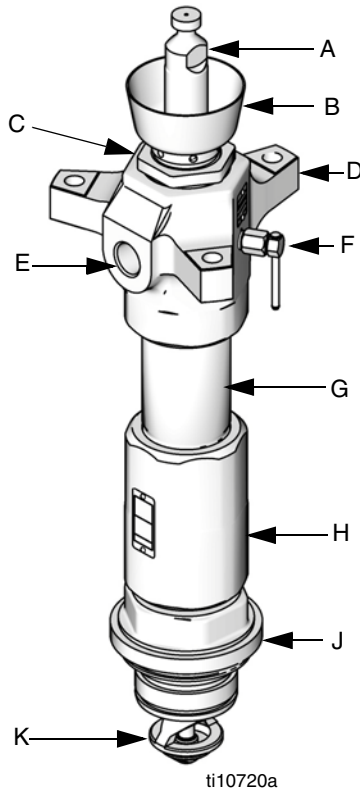
 WARNING	
	<p>EQUIPMENT MISUSE HAZARD</p> <p>Misuse can cause death or serious injury.</p> <ul style="list-style-type: none"> • Do not operate the unit when fatigued or under the influence of drugs or alcohol. • Do not exceed the maximum working pressure or temperature rating of the lowest rated system component. See Technical Data in all equipment manuals. • Use fluids and solvents that are compatible with equipment wetted parts. See Technical Data in all equipment manuals. Read fluid and solvent manufacturer's warnings. For complete information about your material, request MSDS forms from distributor or retailer. • Check equipment daily. Repair or replace worn or damaged parts immediately with genuine manufacturer's replacement parts only. • Do not alter or modify equipment. • Use equipment only for its intended purpose. Call your distributor for information. • Route hoses and cables away from traffic areas, sharp edges, moving parts, and hot surfaces. • Do not kink or over bend hoses or use hoses to pull equipment. • Keep children and animals away from work area. • Comply with all applicable safety regulations.
	<p>ELECTRIC SHOCK HAZARD</p> <p>Improper grounding, setup, or usage of the system can cause electric shock.</p> <ul style="list-style-type: none"> • Turn off and disconnect power cord before servicing equipment. • Use only grounded electrical outlets. • Use only 3-wire extension cords. • Ensure ground prongs are intact on sprayer and extension cords. • Do not expose to rain. Store indoors.
	<p>TOXIC FLUID OR FUMES HAZARD</p> <p>Toxic fluids or fumes can cause serious injury or death if splashed in the eyes or on skin, inhaled, or swallowed.</p> <ul style="list-style-type: none"> • Read MSDS's to know the specific hazards of the fluids you are using. • Store hazardous fluid in approved containers, and dispose of it according to applicable guidelines. • Always wear impervious gloves when spraying or cleaning equipment.
	<p>PERSONAL PROTECTIVE EQUIPMENT</p> <p>You must wear appropriate protective equipment when operating, servicing, or when in the operating area of the equipment to help protect you from serious injury, including eye injury, inhalation of toxic fumes, burns, and hearing loss. This equipment includes but is not limited to:</p> <ul style="list-style-type: none"> • Protective eyewear • Clothing and respirator as recommended by the fluid and solvent manufacturer • Gloves • Hearing protection

Component Identification

L060CM and L100CM Models



L200CS and L250CS Models



L500CM Model

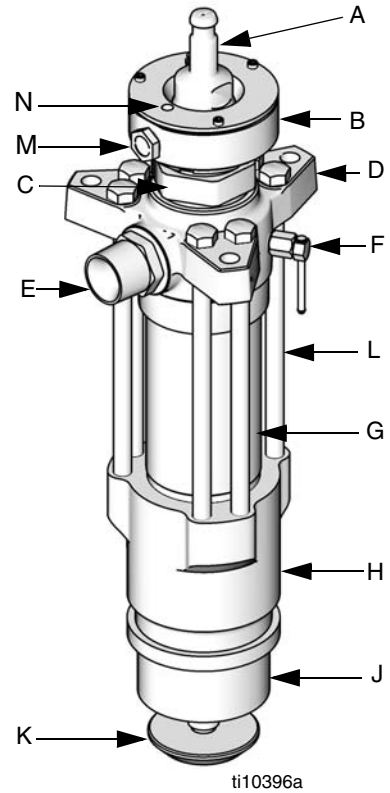


FIG. 1

Key:

- A Displacement Rod
- B Wet Cup
- C Throat Packing Cartridge
- D Outlet Housing
- E Fluid Outlet
- F Pump Bleed Valve
- G Pump Cylinder
- H Intake Valve Housing
- J Intake Cylinder
- K Priming Piston Assembly
- L Hex Head Bolt (500cc displacement pumps only)
- M Wet Cup Sight Glass (MaxLife models only)
- N Wet Cup Fill Cap (MaxLife models only)

Repair

Troubleshooting

See Check-Mate Pump Packages manual 312376.

Required Tools

- Torque wrench
- Bench vise, with soft jaws
- Rubber mallet
- Hammer
- 400 mm (15.8 in.) adjustable wrench
- O-ring pick
- Flat head screwdriver
- 13 mm (1/2 in.) dia. brass rod
- Set of socket wrenches
- Set of adjustable wrenches
- Packing nut wrench (supplied with pump package)
- 24 in. (610 mm) adjustable wrench
- M4 hex key wrench
- Thread lubricant
- Thread sealant
- Loctite® 2760™ or equivalent

Disassembly and Reassembly of Throat Packings and Cartridge

All new Check-Mate displacement pumps are equipped with a throat packing cartridge (3) that enables easy removal and replacement of throat packings without the complete disassembly of the displacement pump.

1. Run air motor and displacement pump to bottom of stroke.
2. Relieve pressure. See Check-Mate Pump Packages manual 312376 for instructions.
3. Remove air motor coupling assembly from displacement rod. See Check-Mate Pump Packages manual 312376 for instructions.
4. Push air motor piston rod up to top of stroke.
5. Remove wet cup cover (present on enclosed wet cups only).
6. Place an absorbent cloth in wet cup (9) to absorb Throat Seal Liquid (TSL).

7. Use packing nut wrench (supplied) to loosen and remove packing nut/enclosed wet cup (9).

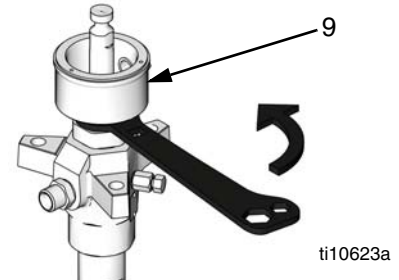


FIG. 2

8. Use an adjustable wrench to loosen cartridge (3); slide it and throat packings (P) up and off displacement rod (1).

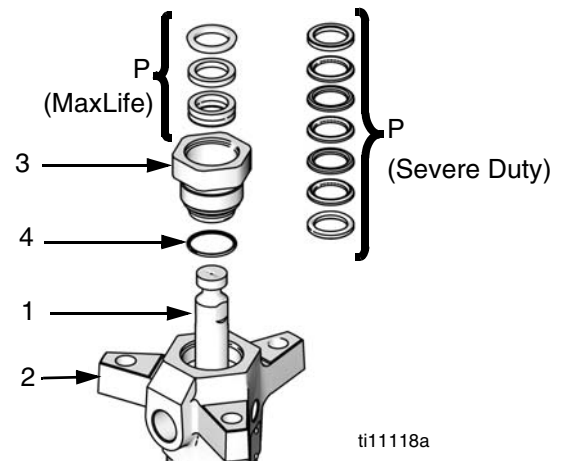


FIG. 3

9. Replace throat packings (P) according to specific packing kit into cartridge (3). See Packing Kits in **Parts** starting on page 18.
10. Remove and replace o-ring (4).
11. Slide cartridge (3) and throat packings (P) back on to displacement rod (1). Be careful to not damage packings.

- Torque cartridge (3) to specified torque listed in the following table.

Displacement Pump	Torque
60cc and 100cc	90-130 ft-lbs (122-173 N•m)
200cc and 250cc	130-190 ft-lbs (176-258 N•m)
500cc	149-261 ft-lbs (203-355 N•m)

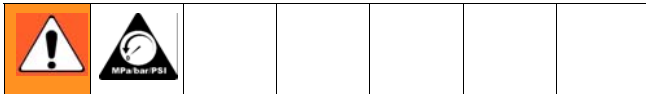
- Slide packing nut/wet cup (9) over displacement rod (1) and torque to specified torque listed in the following table.

Displacement Pump	Torque
60cc and 100cc	28-44 ft-lbs (38-59 N•m)
200cc and 250cc	95-115 ft-lbs (128-155 N•m)
500cc	95-115 ft-lbs (128-155 N•m)

- Fill wet cup (9) 1/3 full of TSL or compatible solvent.

Disassembly

When disassembling displacement pump, lay out all removed parts in sequence to ease reassembly. Clean all parts with a compatible solvent and inspect them for wear or damage.



- Relieve pressure. See your Check-Mate Pump Packages manual 312376 for instructions.
- Disconnect displacement pump from air motor as illustrated in your Check-Mate Pump Packages manual 312376.
- Place displacement pump in a vise, with jaws on outlet housing (2).

- Use packing nut wrench (supplied) to loosen and remove packing nut/enclosed wet cup (9).

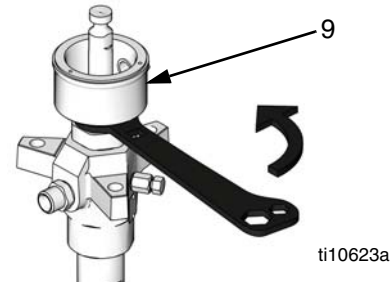



FIG. 4

- On displacement pumps with enclosed wet cups (9), use an M4 hex wrench to remove the three screws (14) from wet cup cover (10) and remove cover. Drain and clean out the wet cup (9). See FIG. 5.
- On displacement pumps with enclosed wet cups (9), use o-ring pick to remove o-ring (11), and a flat head screwdriver to remove snap ring (61), wiper (15), and seal (16).

 The snap ring (61) is applicable only to 60cc and 100cc displacement pumps.

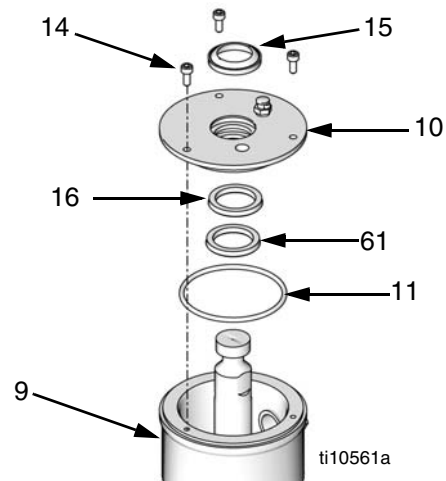

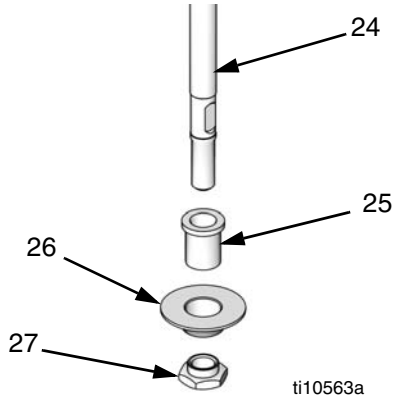


FIG. 5

7. Hold flats of the priming piston rod (24) with an adjustable wrench, and use a second wrench to unscrew priming piston seat (27) from rod. Slide priming piston (26) off rod. Inspect surfaces of guide (25) and piston (26) for scoring, wear, or other damage.

 The guide (25) is applicable only to 100cc and 500cc displacement pumps.

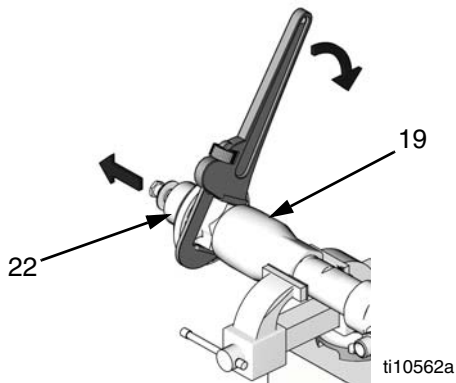


ti10563a

FIG. 6

 **Steps 8-13 apply to 60cc, 100cc, 200cc, and 250cc displacement pumps only.**

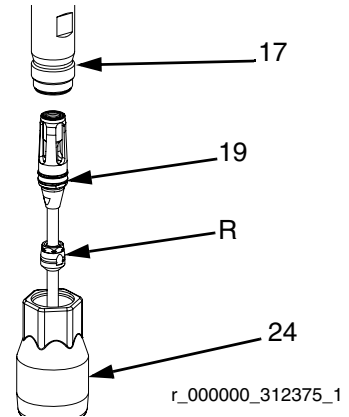
8. Use an adjustable wrench on hex of intake cylinder (22) to unscrew it from intake valve housing (19).



ti10562a

FIG. 7

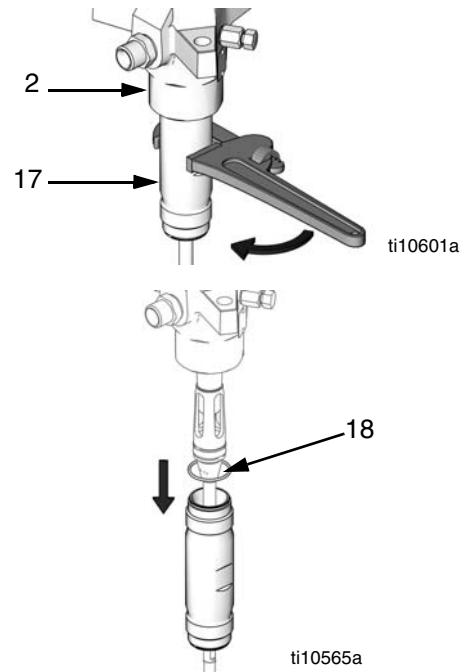
9. Use an adjustable wrench to unscrew intake valve housing (19) from cylinder (17) and outlet housing (2). Pull intake valve housing off cylinder. Intake check valve assembly (R) should slide down priming piston rod (24) as you remove housing; if it does not slide easily, firmly tap on top of housing (19) with a rubber mallet to loosen.



r_000000_312375_1

FIG. 8

10. Use a 400 mm adjustable wrench on flats of displacement pump cylinder (17) and unscrew cylinder from outlet housing (2). Remove o-rings (18). Inspect inside surface of cylinder for wear, scoring or other damage by holding it up to light at an angle or running a finger over the surface.




ti10601a

ti10565a

FIG. 9

- Use an o-ring pick to remove seal (21) from intake valve housing (19). Discard seal; use a new one for reassembly. See FIG. 10.
- Pull intake seat (20) out bottom of intake valve housing (19). Take care not to drop intake valve assembly (R) as it comes free, and set it aside for later.

 If seat (20) is difficult to remove, insert a hammer and brass rod through the top of housing (19) and drive seat out.

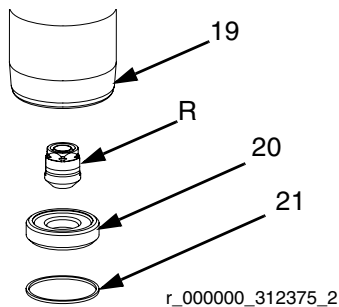


FIG. 10

- Use a rubber mallet to drive displacement rod (1) and priming piston rod (24) out of outlet housing (2). Inspect outer surfaces of rods for damage by running a finger over the surface.

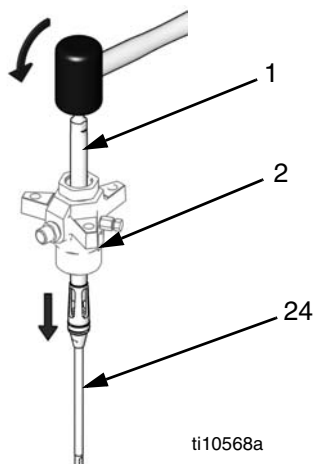


FIG. 11

 **Steps 14-19 apply to 500cc displacement pumps only.**

- 500cc Displacement Pumps Only: use a socket wrench to remove six capscrews (45).

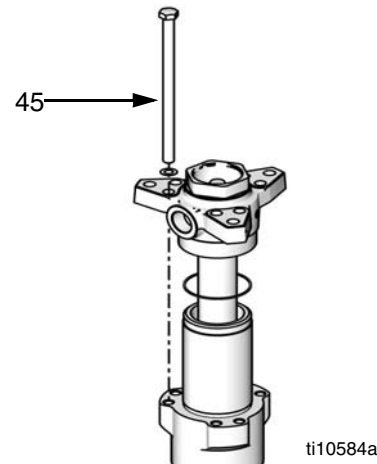


FIG. 12

- Tap underside of outlet housing (2) with a rubber mallet to loosen housing from cylinder (17). Lift outlet housing off displacement pump and set it aside. Be careful not to scratch displacement rod (1) while removing housing. Remove seal (18) from top of cylinder.
- Lift cylinder (17) up off intake housing (22). Displacement rod (1), piston assembly, intake valve assembly, and priming piston rod (24) will come with cylinder.
- Place cylinder (17) sideways in a vise with soft jaws. Using a rubber mallet on end of priming piston rod (24), drive displacement rod (1) and piston assembly out of the top of the cylinder. Continue to pull rod out of cylinder until priming piston rod (24) comes free.
- Remove seal (18) from bottom of cylinder (17). Hold cylinder up to light at an angle to examine inside surface for scoring and damage.

- Pull seal (18) and seat (20) out the top of the intake housing (22). If seat is difficult to remove, turn housing upside down and drive seat out using a hammer and brass rod.

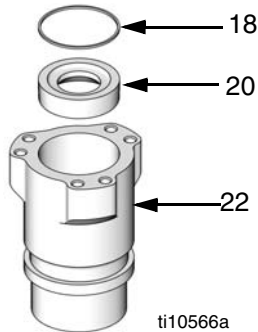


FIG. 13

- Examine mating surfaces of seat (20) and intake valve body (32) for damage.
- To access throat packings and glands, use an adjustable wrench to remove the throat cartridge (3).
- Remove cartridge o-ring (4). Then remove throat packings (P) from throat cartridge (3). Some models include a fluid outlet nipple (43) and o-ring (44). Do not remove these parts from housing unless they need replacement.

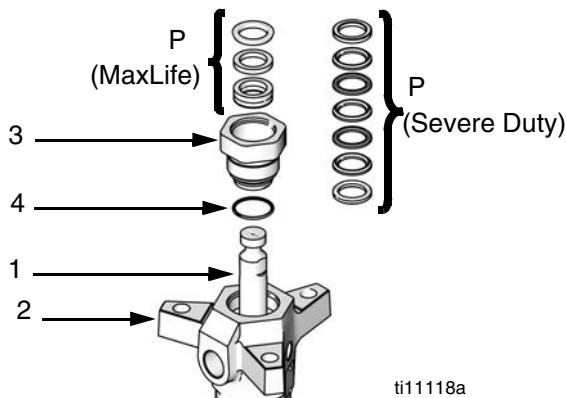


FIG. 14

- Place flats of displacement rod (1) in a vise. Unscrew piston (23) from displacement rod; priming piston rod (24) will come with it. Slide piston guide (28) and seat (30) off piston (23).

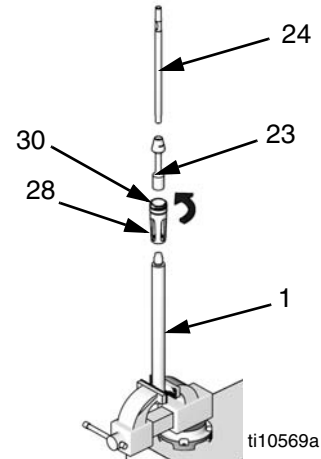



FIG. 15

- Inspect outer surfaces of displacement rod (1) and priming piston rod (24) for wear, scoring or other damage by holding them up to light at an angle or running a finger over the surface.
- It is not necessary to remove priming piston rod (24) from piston (23) unless your inspection reveals scoring, wear, or other damage to either part. To disassemble, place piston flats in a vise and unscrew the rod.
- Place piston seat (30) and guide (28) in vise. Slide a brass rod through openings in piston guide and unscrew it from seat. Remove piston seal (31) and guide bearing (29).

 Guide bearing (29) is press-fit into the piston guide (28), and may require cutting to ease removal.

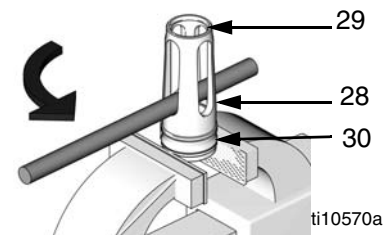



FIG. 16:

27. To disassemble intake check valve assembly, place intake valve body (32) in a vise and unscrew packing nut (33). Remove seal (38) from nut, and intake valve packings (S) from valve body. Inspect mating surfaces of intake valve body (32) and seat (20) for damage or wear.

 The seal (38) is press-fit in the nut (33) and may require cutting to ease removal.

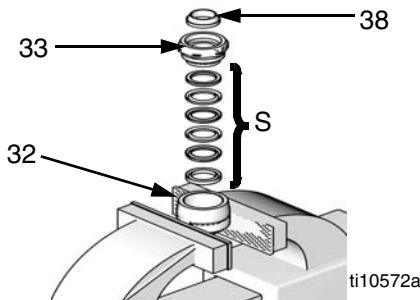


FIG. 17

28. Unscrew bleeder valve plug (40) completely from valve body (39). Clean valve threads and bleed hole. It is not necessary to remove valve body from displacement pump outlet housing (2).

29. Inspect all parts for damage. Clean all parts and threads with a compatible solvent. Reassemble as explained in the **Reassembly** section.

Reassembly

1. Lubricate the intake valve packings (S) and install them in valve (32). See FIG. 18. See Packing Kits sections for the correct intake valve packing configuration.
2. With beveled side facing up, press intake valve seal (38) in to recess of intake valve packing nut (33) until it snaps into place. The nose of the seal should be flush with or slightly recessed into the face of the packing nut. See FIG. 18.
3. Place flats of valve body (32) in a vise. Screw packing nut (33) into valve body handtight. Set intake housing assembly aside.

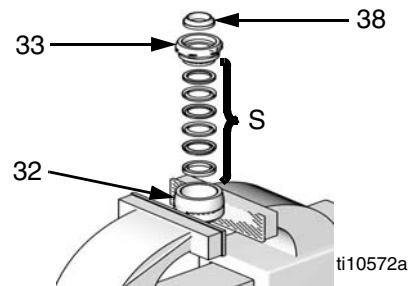


FIG. 18

4. Lubricate piston seal (31) and install it on piston seat (30). Screw piston guide (28) onto seat (30). Place piston seat in a vise and use a brass rod to torque guide; see the following table for correct torque. Snap guide bearing (29) into piston guide (28).

Displacement Pump	Torque
60cc and 100cc	26-30 ft-lbs (35-41 N•m)
200cc and 250cc	57-63 ft-lbs (77-85 N•m)
500cc	90-100 ft-lbs (122-135 N•m)

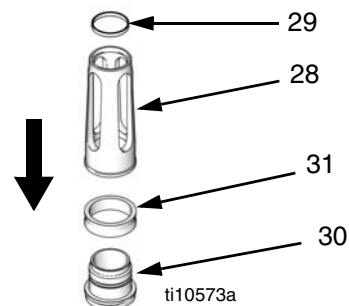


FIG. 19

- If it was necessary to remove the priming piston rod (24) from the piston (23), apply thread sealant to threads of the rod. Place flats of piston in a vise. Hold flats of rod with an adjustable wrench, and screw rod into piston; see the following table for correct torque. Be careful not to create burrs on flats of rod.

Displacement Pump	Torque
60cc and 100cc	34-38 ft-lbs (46-51 N•m)
200cc and 250cc	92-102 ft-lbs (124-138 N•m)
500cc	90-100 ft-lbs (122-135 N•m)

- Place flats of displacement rod (1) in a vise. Install piston seat/guide assembly onto the piston (23). Apply thread sealant to threads of rod and screw piston assembly onto rod; see the following table for correct torque.

Displacement Pump	Torque
60cc and 100cc	85-95 ft-lbs (115-128 N•m)
200cc and 250cc	239-271 ft-lbs (323-366 N•m)
500cc	327-363 ft-lbs (441-490 N•m)

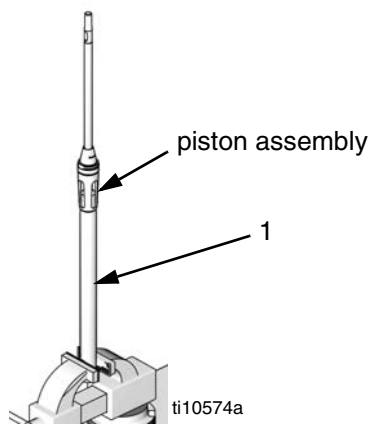


FIG. 20

Steps 7- 13 apply to 60cc, 100cc, 200cc, and 250cc displacement pumps only.

- Lubricate seal (18) and place it on top of the cylinder (17). Screw cylinder handtight into outlet housing (2). The cylinder is symmetrical so either end can be the top.

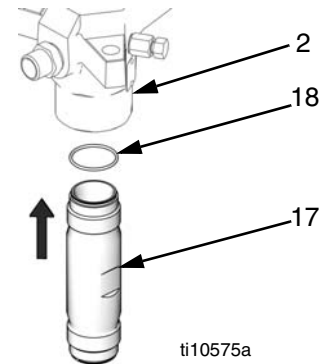


FIG. 21

- Carefully insert displacement rod (1) into bottom of cylinder (17). Push rod up into cylinder and through outlet housing (2). Be careful not to damage piston seal (31) while performing this step.

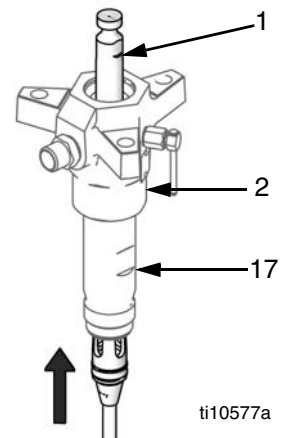


FIG. 22

- Lubricate seal (18) and install it on the bottom of cylinder (17). Slide intake valve housing (19) onto priming piston rod (24). Ensure smooth surface of valve stop faces displacement pump intake. Screw housing onto cylinder.

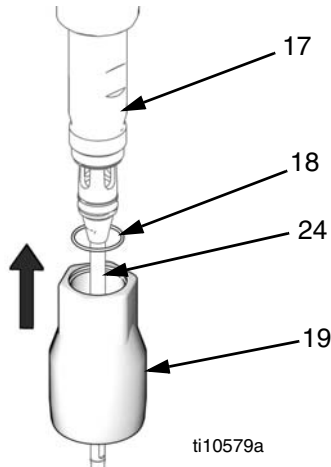


FIG. 23

- Lubricate priming piston rod (24), then slide assembled intake valve onto rod. Ensure packing nut (33) goes on rod first. Push valve assembly up rod, stopping before it reaches intake valve housing (19). See FIG. 24.

- Hold valve body (32) steady with a wrench while using an adjustable wrench to tighten packing nut (33); see the following table for correct torque. Use a rubber mallet on priming piston rod (24), to drive valve assembly up to stop.

Displacement Pump	Torque
60cc and 100cc	43-47 ft-lbs (58-63 N•m)
200cc and 250cc	71-79 ft-lbs (96-107 N•m)

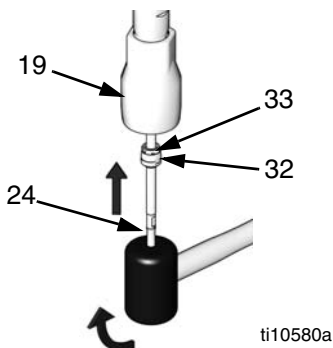



FIG. 24

- The intake seat (20) is reversible on the 200cc and 250cc displacement pumps. Inspect both sides of seat and install it with the best side facing into housing (19). Push it into housing until it seats securely. Lubricate seal (21) and install in the bevel around the bottom of the seat.

 For 60cc and 100cc displacement pumps, install intake seat (20) so large beveled side faces down toward pump intake.

- Lubricate threads of intake cylinder (22). Use an adjustable wrench to screw intake cylinder into intake valve housing (19). Torque intake cylinder; see the following table for correct torque. This will also torque intake valve housing (19) and displacement pump cylinder (17) into outlet housing (2).

Displacement Pump	Torque
60cc and 100cc	213-287 ft-lbs (288-387 N•m)
200cc and 250cc	345-435 ft-lbs (466-587 N•m)

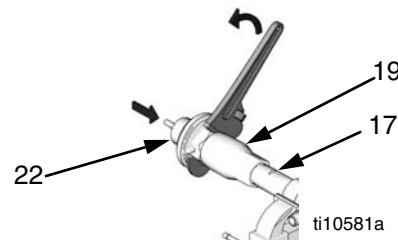
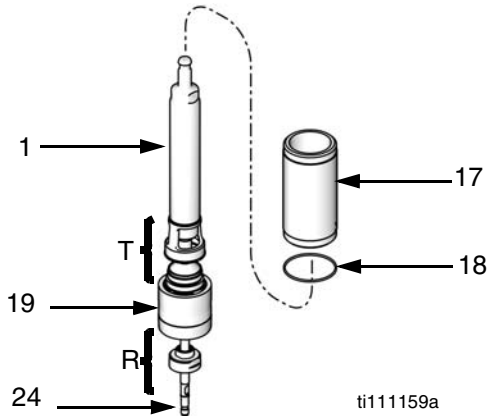


FIG. 25

 **Steps 14-21 apply to 500cc displacement pumps only.**

- Slide rod guide (19) onto priming piston rod (24) ensuring the end nearest valve stop goes on rod first.
- Slide assembled intake valve onto priming piston rod (24) ensuring packing nut (33) goes on rod first. Push valve assembly up rod, stopping before it reaches rod guide (19).
- Hold valve body (32) steady with a wrench while using an adjustable wrench to tighten packing nut (33). Torque to 71-78 ft-lbs (97-106 N•m). Use a hammer and a brass rod to carefully drive valve assembly further up rod until it reaches the stop.

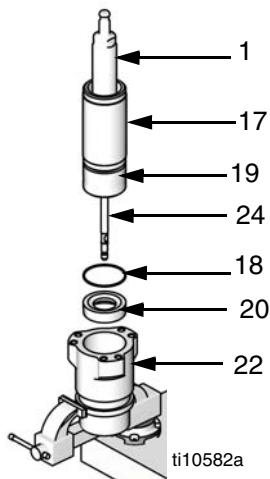
17. Place cylinder (17) sideways in a vise with soft jaws.
18. Lubricate seal (18) and place it on bottom of cylinder (17). (Cylinder is symmetrical so either end can be the bottom.)
19. Slide displacement rod (1), piston assembly (T), intake valve assembly (R), and priming piston rod (24) into cylinder (17) from bottom until mating surfaces of rod guide (19) and cylinder (17) meet.



ti111159a

FIG. 26


20. Put intake housing (22) upright in a vise, making sure it is off-center so there is a sufficient clearance for priming piston rod (24) to be lowered through housing. Insert intake seat (20) into intake housing (22) so the flat seat is facing up. Lubricate seal (18) and place it on top of intake seat (20). Lower rod and cylinder assembly into intake housing until rod guide (19) bottoms on intake seat (20) and priming piston rod (24) protrudes from bottom of intake housing (22).

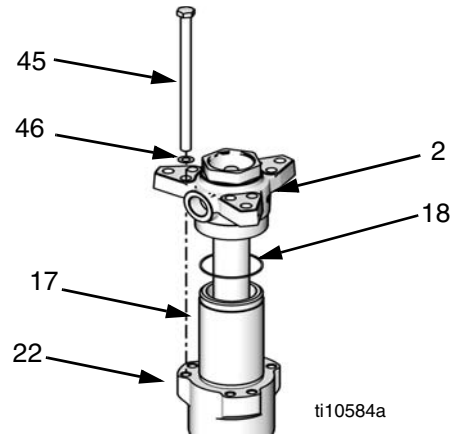


ti10582a

FIG. 27

21. Lubricate seal (18) and place it on top of cylinder (17). Insert outlet housing (2) on to cylinder (17). Install six long capscrews (45) through outlet housing (2) and into intake housing (22). Using a socket wrench, torque screws oppositely and evenly to 180-195 ft-lbs (244-264 N•m).

 L500SS and L500SM models: install washer (46) between capscrews (45) and outlet housing (2).



ti10584a

FIG. 28

22. Lubricate throat packings (M), and install them in throat cartridge (3) one at a time with the lips of the v-packings or u-cup facing down. Refer to Packing Kit sections for each displacement pump size for the correct throat packing configuration for your displacement pump.

23. Partially thread wet cup (9) into cartridge (3) to hold packings in place during installation. Install new cartridge o-ring (4) on cartridge (3). Apply thread lubricant to cartridge (3) and carefully slide down over displacement rod and into outlet housing (2). Torque cartridge to the following torque. Be careful not to damage throat packings on leading edge of rod.

Displacement Pump	Torque
60cc and 100cc	90-130 ft-lbs (122-176 N•m)
200cc and 250cc	130-190 ft-lbs (176-257 N•m)
500cc	150-261 ft-lbs (203-355 N•m)

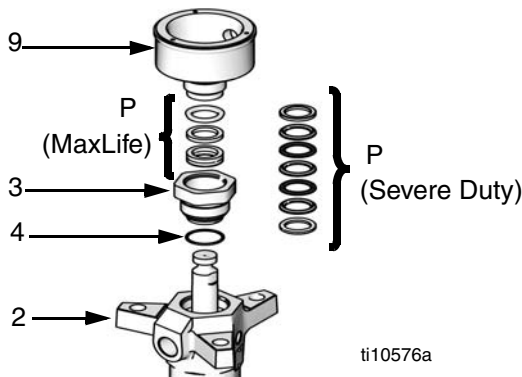


FIG. 29

24. Use packing nut wrench (supplied) to tighten wet cup (9) to specified torque; refer to the following table.

Displacement Pump	Torque
60cc and 100cc	28-44 ft-lbs (38-59 N•m)
200cc and 250cc	95-115 ft-lbs (128-155 N•m)
500cc	95-115 ft-lbs (128-155 N•m)

25. Lubricate the threads of the bleeder valve plug (40). The plug has two sets of threads. Be sure to screw the plug completely into the valve body (39). Torque the plug to 9-11 ft-lbs (12-15 N•m).

Some models include an outlet nipple (43) and o-ring (44). It is not ordinarily necessary to remove these parts. However, if they were replaced because of damage, lubricate o-ring and place it on nipple. Screw nipple into outlet housing (2). Torque to 44-62 ft-lbs (60-84 N•m).

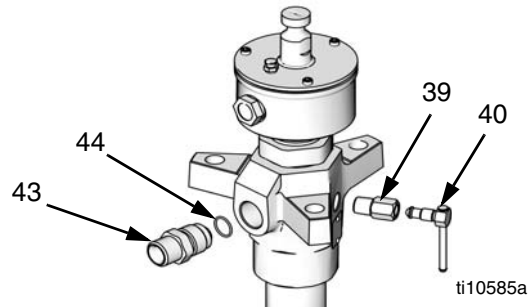


FIG. 30

Steps 26-27 apply only to displacement pumps with enclosed wet cups.

26. Install new o-ring (11), wet cup wiper (15), seal (16), and snap ring (61) into wet cup cover (10). See FIG. 31.

The snap ring (61) is applicable only to 60cc and 100cc displacement pumps.

27. Carefully slide wet cup cover (10) over displacement rod. Line up holes in cover and wet cup. Insert screws (14). Use a hex head screwdriver to tighten screws. See FIG. 31.

Use caution when sliding wet cup cover (10) over displacement rod (1) to avoid damaging seals (15, 16).

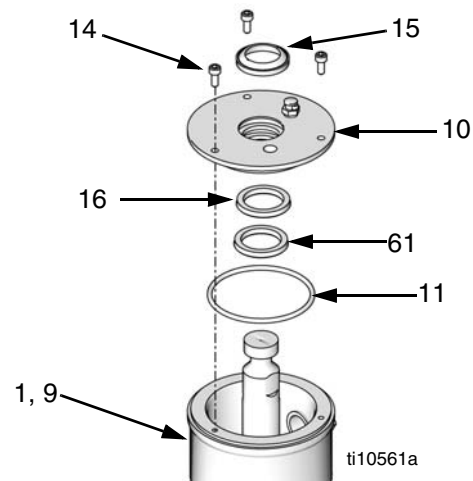


FIG. 31

28. Check that flats of priming piston rod (24) are accessible below intake cylinder (22). If not, tap on top of displacement rod (1) with a rubber mallet until flats are exposed.

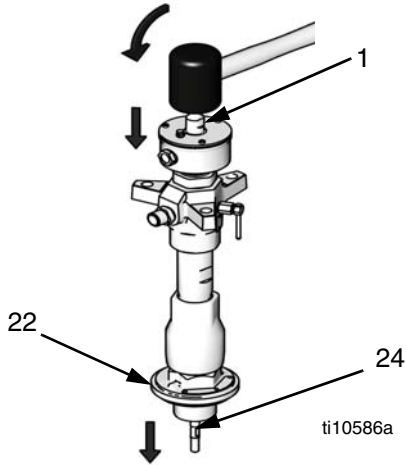


FIG. 32

29. Slide priming piston (26) and priming piston guide (25) onto rod (24) until it stops. Hold rod (24) steady with an adjustable wrench on flats, and screw seat (27) onto rod with another wrench. Torque to specified torque; refer to the following table.

Displacement Pump	Torque
60cc and 100cc	34-38 ft-lbs (46-51 N•m)
200cc and 250cc	57-63 ft-lbs (77-85 N•m)
500cc	71-79 ft-lbs (96-107 N•m)

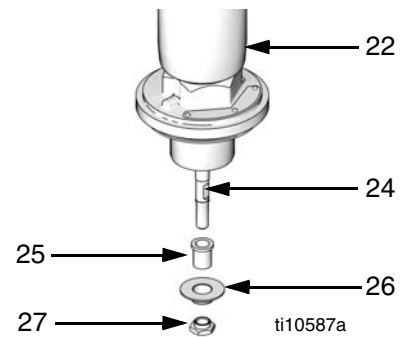


FIG. 33

30. Reconnect displacement pump to the air motor as explained in Check-Mate Pump Packages manual 312376.
31. Allow 2 hours for thread sealant to cure before returning pump to service.

Parts

60cc Displacement Pumps

KEY:

- △1 Torque to 85-95 ft-lb (115-128 N•m)
- △2 Torque to 28-44 ft-lb (38-59 N•m)
- △3 Torque to 213-287 ft-lb (288-387 N•m)
- △4 Torque to 43-47 ft-lb (58-63 N•m)
- △5 Torque to 34-38 ft-lb (45-51 N•m)
- △6 Torque to 26-30 ft-lb (35-41 N•m)
- △7 Torque to 90-130 ft-lb (122-173 N•m)
- △8 Torque to 44-62 ft-lb (60-84 N•m)

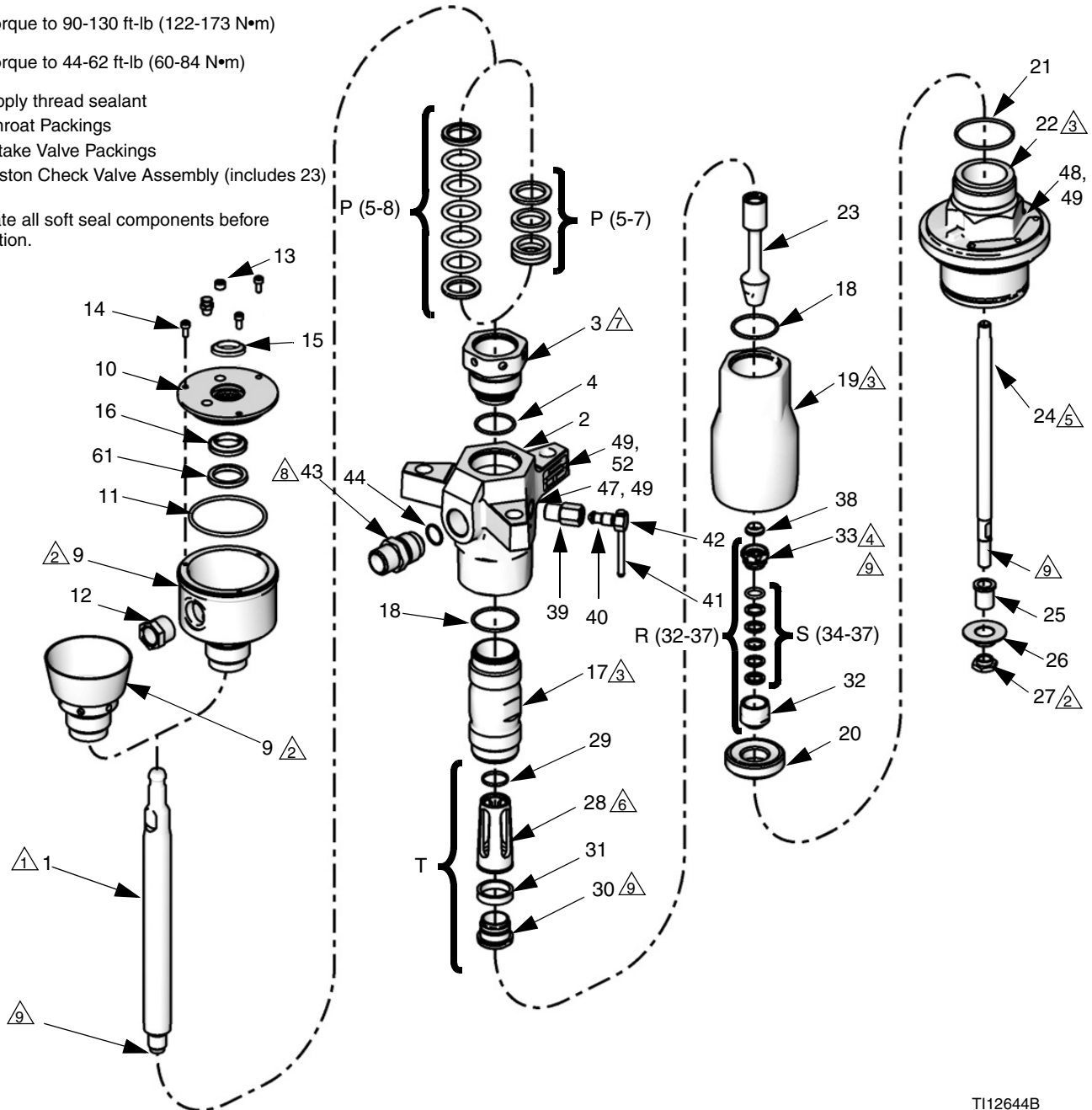
△9 Apply thread sealant

P: Throat Packings

S: Intake Valve Packings

T: Piston Check Valve Assembly (includes 23)

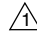
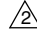
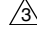
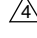
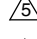
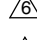
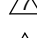
Lubricate all soft seal components before installation.

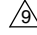


TI12644B

100cc Displacement Pumps

KEY:

-  Torque to 85-95 ft-lb (115-128 N•m)
-  Torque to 28-44 ft-lb (38-59 N•m)
-  Torque to 213-287 ft-lb (288-387 N•m)
-  Torque to 43-47 ft-lb (58-63 N•m)
-  Torque to 34-38 ft-lb (45-51 N•m)
-  Torque to 26-30 ft-lb (35-41 N•m)
-  Torque to 90-130 ft-lb (122-173 N•m)
-  Torque to 44-62 ft-lb (60-84 N•m)

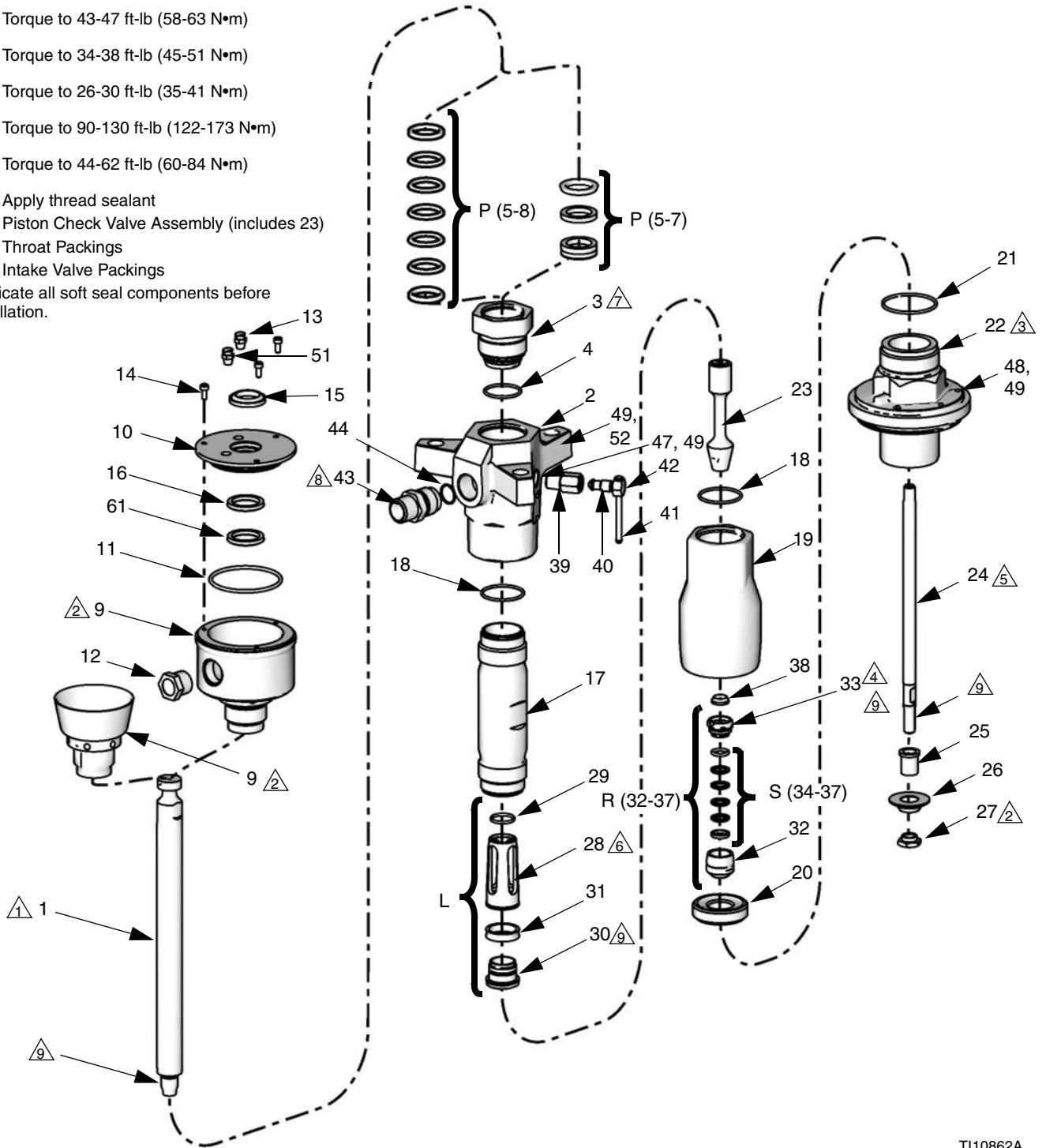
 Apply thread sealant

L: Piston Check Valve Assembly (includes 23)

M: Throat Packings

N: Intake Valve Packings

Lubricate all soft seal components before installation.



T110862A

60cc and 100cc Displacement Pumps

Ref.	Part	Description	Qty.	Ref.	Part	Description	Qty.
1	★*257530	KIT, rod, displacement; chrome (includes 18, 21); L060 only	1	25	★*184122	GUIDE, piston	1
	✖*257531	KIT, rod, displacement; MaxLife (includes 18, 21); L060 only	1		✖*15U598	GUIDE, piston; sst	1
	★*255569	KIT, rod, displacement; chrome (includes 18, 21); L100 only	1	26	★*184051	PISTON	1
	✖*255570	KIT, rod, displacement; MaxLife (includes 18, 21); L100 only	1		✖*15U597	PISTON; sst	1
2	★*255604	KIT, housing, outlet, (150 mm) (includes 18, 21, 44, 47, 49, 52)	1	27	★*184121	NUT, shovel	1
	✖*257561	KIT, housing, outlet, (150 mm); sst (includes 18, 21, 44, 47, 49, 52)	1		✖*15U596	NUT, shovel; sst	1
3	★*15K751	CARTRIDGE	1	28	★*15M518	GUIDE, piston	1
	✖*15U603	CARTRIDGE; sst	1		✖*257667	GUIDE, piston; sst	1
4‡	104361	O-RING, cartridge	1	29‡		BEARING, guide	1
5‡	★*	GLAND, packing female; see 60cc and 100cc Packing Kits	1	30‡		SEAT, piston	1
	✖*	GLAND, packing, u-cup; see 60cc and 100cc Packing Kits	1	31‡		SEAL, piston	1
6‡	★*	V-PACKING; UHMWPE; see 60cc and 100cc Packing Kits	3	32‡		VALVE, intake	1
	✖*	SPACER, u-cup; see 60cc and 100cc Packing Kits	1	33‡		NUT, packing	1
7‡	★*	V-PACKING; PTFE; see 60cc and 100cc Packing Kits	2	34‡		GLAND, male, piston; see 60cc and 100cc Packing Kits	1
	✖*	SPACER, u-cup; acetal; see 60cc and 100cc Packing Kits	1	35‡		PACKING, UHMWPE; see 60cc and 100cc Packing Kits	2
8‡	★*	GLAND, packing male; see 60cc and 100cc Packing Kits	1	36‡	✖*	PACKING; leather; see 60cc and 100cc Packing Kits	2
9‡	★*	NUT, packing, open wet cup	1		★*	PACKING, PTFE; see 60cc and 100cc Packing Kits	2
	✖*	CUP, wet, enclosed	1	37‡		GLAND, female, piston; see 60cc and 100cc Packing Kits	1
10‡	✖*	COVER, wet cup	1	38‡		SEAL, valve	1
11‡	✖*161446	O-RING	1	39‡		HOUSING, valve	1
12‡	✖*	SIGHTGLASS	1	40‡		PLUG, valve	1
13‡	✖*	COVER, oil hole	1	41‡		HANDLE, outlet bleed	1
14‡	✖*	SCREW, socket hd cap; M5 x 12	3	42‡		CLIP, outlet bleed	1
15‡	✖*	WIPER, wet cup cover	1	43	★*184037	FITTING, outlet	1
16‡	✖*	SEAL, wet cup cover	1		✖*15U592	FITTING, outlet; sst	1
17‡	★*	CYLINDER, pump	1	44‡	110135	O-RING	1
	✖*	CYLINDER, pump, MaxLife	1	47▲	184090	LABEL, warning	1
18‡	109205	O-RING	2	48▲	184151	LABEL, warning	1
19	★*184044	HOUSING, valve	1	49	100508	SCREW, drive	7
	✖*15U586	HOUSING, valve; sst	1	50▲	172479	TAG, instruction, safety	1
20‡		SEAT, intake	1	51‡	✖*	PLUG, pipe	1
21‡		SEAL	1	52‡	197561	PLATE, identification	1
22	★*255610	KIT, intake housing, cylinder (includes 21, 48, 49)	1	61‡	✖*	RING, retaining	1
	✖*257560	KIT, intake housing, cylinder; sst (includes 21, 48, 49)	1				
23‡		SEAT, piston	1				
24‡	★*	ROD, piston	1				
	✖*	ROD, piston; MaxLife	1				

★ *CS Models only.** *SS Models only.*✖ *CM Models only.*✖ *SM Models only.*‡ *See 60cc and 100cc Kits table on page 21.*▲ *Replacement Danger and Warning labels, tags, and cards are available at no cost.*

60cc and 100cc Kits

The following table indicates which parts (according to reference number) are included in each kit.

Kit	Reference Numbers																																																												
	4	5	6	7	8	9	10	11	12	13	14	15	16	17	18	20	21	23	24	29	30	31	32	33	34	35	36	37	38	39	40	41	42	44	51	61																									
255507	✓	✓	✓	✓	✓										✓		✓			✓		✓				✓	✓	✓	✓	✓												✓																			
256866	✓	✓	✓	✓	✓										✓		✓			✓		✓				✓	✓	✓	✓	✓																✓															
255508	✓	✓	✓	✓				✓				✓	✓		✓		✓			✓		✓				✓	✓	✓	✓	✓																✓			✓												
256867	✓	✓	✓	✓				✓				✓	✓		✓		✓			✓		✓				✓	✓	✓	✓	✓																	✓			✓											
255523	✓	✓	✓	✓	✓																																																								
255524	✓	✓	✓	✓				✓				✓	✓																																							✓									
257558	✓	✓	✓	✓				✓				✓	✓																																							✓									
255533															✓		✓			✓		✓																																							
255539																	✓										✓	✓	✓	✓	✓																														
256865																	✓									✓	✓	✓	✓	✓	✓																														
255540																		✓								✓	✓	✓	✓	✓	✓																														
256868																		✓								✓	✓	✓	✓	✓	✓																														
255551															✓		✓	✓			✓	✓	✓																																						
257557															✓		✓	✓	✓			✓	✓	✓																																					
255557																✓	✓							✓	✓	✓	✓	✓	✓	✓	✓																														
256869																✓	✓							✓	✓	✓	✓	✓	✓	✓	✓																														
255558																✓	✓							✓	✓	✓	✓	✓	✓	✓	✓																														
256870																✓	✓							✓	✓	✓	✓	✓	✓	✓	✓																														
255577															✓		✓			✓						✓	✓	✓	✓	✓	✓																														
256871															✓		✓			✓						✓	✓	✓	✓	✓	✓																														
255578															✓		✓			✓						✓	✓	✓	✓	✓	✓																														
256872															✓		✓			✓						✓	✓	✓	✓	✓	✓																														
257532															✓	✓		✓			✓																																								
257533															✓	✓		✓			✓																																								
255591															✓	✓		✓			✓																																								
255592															✓	✓		✓			✓																																								
255615																																																		✓	✓	✓	✓								
255616																																																			✓	✓	✓	✓							
255618														✓																																															
255696	✓	✓	✓	✓			✓	✓	✓	✓	✓	✓	✓	✓																																								✓			✓				
257559	✓	✓	✓	✓			✓	✓	✓	✓	✓	✓	✓	✓																																								✓			✓				
16F205	✓	✓	✓		✓										✓		✓							✓			✓	✓																											✓						

Kit Descriptions

Kit	Description
255507	Complete Seal Kit; Severe Duty, CS
256866	Complete Seal Kit; Severe Duty, SS
255508	Complete Seal Kit; MaxLife, CM
256867	Complete Seal Kit; MaxLife, SM
255523	Throat Seal Kit; Severe Duty
255524	Throat Seal Kit; MaxLife, CM
257558	Throat Seal Kit; MaxLife, SM
255533	Piston Seal Kit
255539	Intake Kit; Severe Duty, CS
256865	Intake Kit; Severe Duty, SS
255540	Intake Kit; MaxLife, CM
256868	Intake Kit; MaxLife, SM
255551	Piston Seal Metal and Soft Kit CS and CM
257557	Piston Seal Metal and Soft Kit SS and SM
255557	Intake Valve Seal Metal and Soft Kit; Severe Duty, CS
256869	Intake Valve Seal Metal and Soft Kit; Severe Duty; SS
255558	Intake Valve Seal Metal and Soft Kit; MaxLife, CM
256870	Intake Valve Seal Metal and Soft Kit; MaxLife, SM
255577	Priming Piston Rod Kit; Severe Duty, CS
256871	Priming Piston Rod Kit; Severe Duty, SS
255578	Priming Piston Rod Kit; MaxLife; CM
256872	Priming Piston Rod Kit; MaxLife, SM
255604	Outlet Kit, CS; see page 20 for parts included in kit
257561	Outlet Kit, SS; see page 20 for parts included in kit
255610	Intake Cylinder Kit, CS; see page 20 for parts included in kit
257560	Intake Cylinder Kit, SS; see page 20 for parts included in kit
255615	Bleed Valve Kit; CS
255616	Bleed Valve Kit; SS
255618	Enclosed Wet Cup Seal Kit; MaxLife
255696	Enclosed Wet Cup Kit; MaxLife, CS
257559	Enclosed Wet Cup Kit; MaxLife, SS

Kit	Description
16F205	Complete Seal Kit; PTFE Alternative; includes all PTFE Alternative kits listed under 60cc and 100cc Packing Kits , page 23
60cc Displacement Pumps	
257530	Displacement Rod Kit; Severe Duty, L060CS and L060SS; see page 20 for parts included in kit
257531	Displacement Rod Kit; MaxLife, L060CM and L060SM; see page 20 for parts included in kit
257532	Cylinder Kit; Severe Duty, L060CS and L060SS
257533	Cylinder Kit; MaxLife, L060CM and L060SM
100cc Displacement Pumps	
255569	Displacement Rod Kit; Severe Duty, L100CS and L100SS; see page 20 for parts included in kit
255570	Displacement Rod Kit; MaxLife, CM and SM; see page 20 for parts included in kit
255591	Cylinder Kit; Severe Duty, L100CS and L100SS
255592	Cylinder Kit; MaxLife, L100CM and L100SM

60cc and 100cc Packing Kits

Throat Packings

Severe Duty

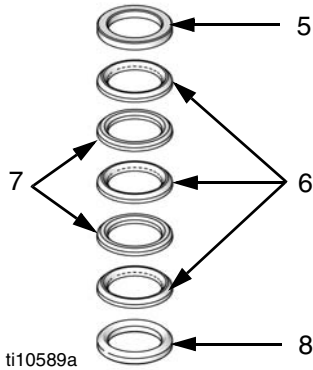
Ref.	Description	Qty.
5	★☒ GLAND, packing female; CST	1
	☒☒ GLAND, packing, female; SST	1
6	V-PACKING; UHMWPE	3
7	V-PACKING; PTFE	2
8	★☒ GLAND, packing male; CST	1
	☒☒ GLAND, packing male; SST	1

MaxLife

Ref.	Description	Qty.
5	SEAL, u-cup	1
6	★☒ SPACER, CST	1
	☒☒ SPACER, SST	1
7	SPACER, acetal	1

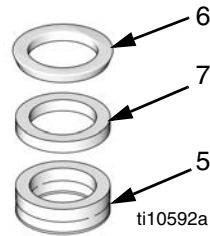
Severe Duty

* Lips face down



MaxLife

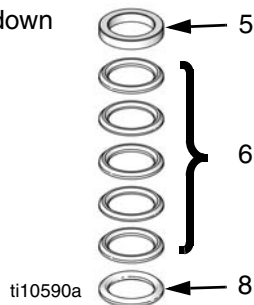
* Lips face down



PTFE Alternative

Ref.	Description	Qty.
5	GLAND, packing, female	1
6	V-PACKING, PTFE	5
8	GLAND, packing, male	1

* Lips face down



Intake Valve Packings

Severe Duty and MaxLife

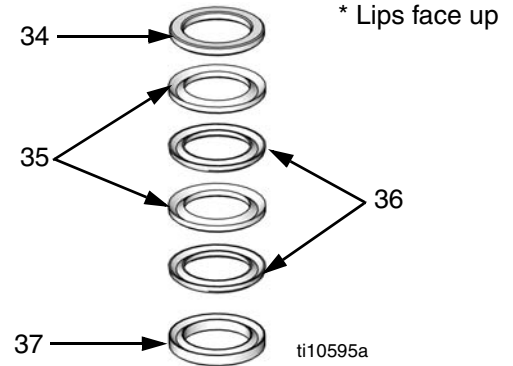
Ref.	Description	Qty.
34	★☒ GLAND, male, priming piston; CST	1
	☒☒ GLAND, male, priming piston; SST	1
35	PACKING; UHMWPE	2
36	★☒ PACKING; PTFE	2
	☒☒ PACKING; leather	2
37	★☒ GLAND, female, priming piston; CST	1
	☒☒ GLAND, female, priming piston; SST	1

★ CS Models only.

☒ SS Models only.

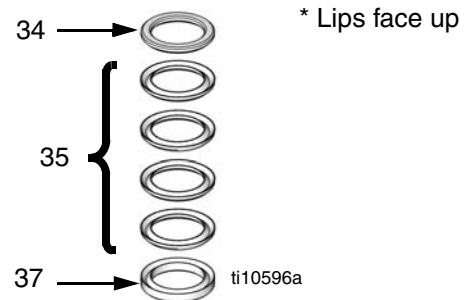
☒☒ CM Models only.

☒☒ SM Models only.



PTFE Alternative

Ref.	Description	Qty.
34	GLAND, male, priming piston	1
35	PACKING, PTFE	4
37	GLAND, female, priming piston	1




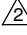
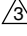
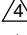
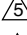
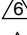
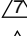
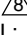
Piston Packings

PTFE Alternative

Ref.	Description	Qty.
31	SEAL, piston	1

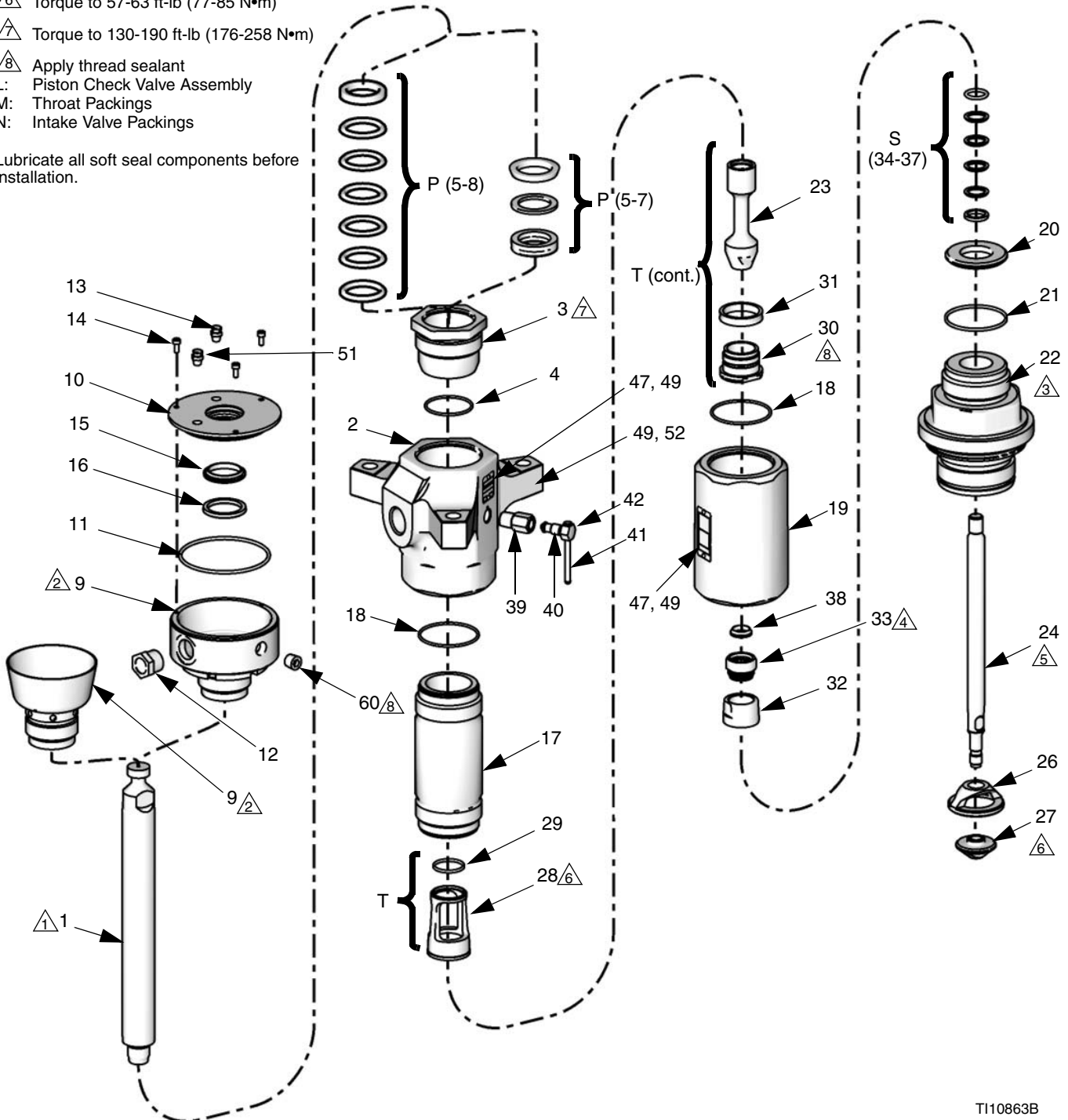
200cc and 250cc Displacement Pumps

KEY:

-  Torque to 239-271 ft-lb (323-366 N•m)
-  Torque to 95-115 ft-lb (128-155 N•m)
-  Torque to 345-435 ft-lb (466-587 N•m)
-  Torque to 71-79 ft-lb (96-107 N•m)
-  Torque to 92-102 ft-lb (124-138 N•m)
-  Torque to 57-63 ft-lb (77-85 N•m)
-  Torque to 130-190 ft-lb (176-258 N•m)
-  Apply thread sealant
- L: Piston Check Valve Assembly
- M: Throat Packings
- N: Intake Valve Packings

Lubricate all soft seal components before installation.

200cc Displacement Pump Shown



TI10863B

200cc Displacement Pumps

Ref.	Part	Description	Qty.	Ref.	Part	Description	Qty.
				31‡		SEAL, piston; see L200cc Packing Kits	1
1	★※255571	KIT, rod, displacement; chrome (includes 18, 21)	1	32‡		VALVE, intake	1
	※※255572	KIT, rod, displacement; MaxLife (includes 18, 21)	1	33‡	★※	NUT, packing	1
2	★※255605	KIT, outlet, housing (includes 18, 21, 47, 49, 52)	1	34‡	★※	NUT, packing; SST	1
	※※255606	KIT, outlet, housing; SST (includes 18, 21, 47, 49, 52)	1		★※	GLAND, male, piston; see L200cc Packing Kits	1
3	★※189641	CARTRIDGE	1		※※	GLAND, male, piston; SST; see L200cc Packing Kits	1
	※※189645	CARTRIDGE; SST	1	35‡		V-PACKING; see L200cc Packing Kits	2
4‡	166073	O-RING	1	36‡	★※	V-PACKING; see L200cc Packing Kits	2
5‡	★※	GLAND, packing female; see L200cc Packing Kits	1		※※	V-PACKING; see L200cc Packing Kits	2
	※※	GLAND, packing, u-cup; see L200cc Packing Kits	1	37‡	★※	GLAND, female; see L200cc Packing Kits	1
6‡	★※	V-PACKING; PTFE; see L200cc Packing Kits	2		※※	GLAND, female, piston; SST; see L200cc Packing Kits	1
	※※	SPACER, u-cup; see L200cc Packing Kits	1	38‡		SEAL, valve	1
7‡	★※	V-PACKING; UHMWPE; see L200cc Packing Kits	3	39‡	★※	HOUSING, valve	1
	※※	SPACER, u-cup, bearing; see L200cc Packing Kits	1		※※	HOUSING, valve; SST	1
8‡	★※	GLAND, packing male; see L200cc Packing Kits	1	40‡	★※	PLUG, valve	1
9‡	★	NUT, packing, open	1		※※	PLUG, valve; SST	1
	※	NUT, packing, open; SST	1	41‡		HANDLE, outlet bleed	1
	※	CUP, wet, enclosed	1	42‡		CLIP, outlet bleed	1
	※	CUP, wet, enclosed, SST	1	47▲	★※184090	LABEL, warning	2
10‡	※※	COVER, wet cup	1		※※184462		
11‡	※※104095	O-RING	1	49	★※100508	SCREW, drive	6
12‡	※※	SIGHTGLASS	1		※※109202		
13‡	※※	COVER, oil hole	1	50▲	172479	TAG, instruction, safety	1
14‡	※※	SCREW, socket hd cap; M5 x 12	3	51	※※	PLUG, pipe	1
15‡	※※	WIPER, wet cup cover	1	52	197561	PLATE, identification	1
16‡	※※	SEAL, wet cup cover	1	60	※※	PLUG, pipe	1
17‡	★※	CYLINDER, pump, Severe Duty	1		★ <i>Model L200CS only.</i>		
	※※	CYLINDER, pump, MaxLife	1		※ <i>Model L200CM only.</i>		
18‡	109499	O-RING	2		※ <i>Model L200SS only.</i>		
19	★※189442	HOUSING, valve	1		※ <i>Model L200SM only.</i>		
	※※189512	HOUSING, valve; SST	1	‡	See L200cc Kits table, page 26.		
20‡		SEAT, valve	1	▲	Replacement Danger and Warning labels, tags, and cards are available at no cost.		
21	189492	SEAL	1				
22	★※255611	KIT, intake housing (includes 21, 47)	1				
	※※255612	KIT, intake housing; SST (includes 21, 47)	1				
23‡		SEAT, piston	1				
24‡	★※	ROD, piston; Severe Duty	1				
	※※	ROD, piston; MaxLife	1				
26	276378	PISTON	1				
27	190241	SEAT, piston	1				
28‡	★※15M520	GUIDE, piston	1				
	※※15M654	GUIDE, piston; SST	1				
29‡		BEARING, guide	1				
30‡		SEAT, piston	1				

L200cc Kits

The following table indicates which parts (according to reference number) are included in each kit.

Kit	Reference Numbers																																							
	4	5	6	7	8	9	10	11	12	13	14	15	16	17	18	20	21	23	24	29	30	31	32	33	34	35	36	37	38	39	40	41	42	51	60					
255509	✓	✓	✓	✓	✓										✓		✓			✓		✓			✓	✓	✓	✓	✓											
255510	✓	✓	✓	✓				✓					✓	✓		✓		✓			✓		✓			✓	✓	✓	✓	✓										
255511	✓	✓	✓	✓	✓										✓		✓			✓		✓			✓	✓	✓	✓	✓											
255512	✓	✓	✓	✓				✓					✓	✓		✓		✓			✓		✓			✓	✓	✓	✓	✓										
255525	✓	✓	✓	✓	✓																																			
255526	✓	✓	✓	✓	✓																																			
255527	✓	✓	✓	✓				✓					✓	✓																										
255534															✓		✓			✓		✓																		
255541																	✓									✓	✓	✓	✓	✓										
255542																	✓									✓	✓	✓	✓	✓										
255552															✓		✓	✓		✓		✓	✓																	
255559																✓	✓						✓	✓	✓	✓	✓	✓	✓	✓										
255560																✓	✓						✓	✓	✓	✓	✓	✓	✓	✓										
255579															✓		✓		✓							✓	✓	✓	✓	✓										
255580															✓		✓		✓							✓	✓	✓	✓	✓										
255581															✓		✓		✓							✓	✓	✓	✓	✓										
255582															✓		✓		✓							✓	✓	✓	✓	✓										
255593															✓	✓	✓				✓		✓																	
255594															✓	✓	✓				✓		✓																	
255615																																				✓	✓	✓	✓	
255616																																				✓	✓	✓	✓	
255619									✓					✓	✓																									
255622																	✓									✓	✓	✓	✓	✓										
255623																	✓									✓	✓	✓	✓	✓										
255625																✓	✓							✓	✓	✓	✓	✓	✓	✓										
255626																✓	✓							✓	✓	✓	✓	✓	✓	✓										
255693	✓	✓	✓		✓										✓		✓						✓			✓		✓	✓	✓										
255697	✓	✓	✓	✓		✓	✓	✓	✓	✓	✓	✓	✓	✓																								✓	✓	
255700	✓	✓	✓	✓		✓	✓	✓	✓	✓	✓	✓	✓	✓																								✓	✓	

L200cc Kit Descriptions

Kit	Description
255509	Complete Seal Kit, L200CS
255510	Complete Seal Kit, L200CM
255511	Complete Seal Kit, L200SS
255512	Complete Seal Kit, L200SM
255525	Throat Seal Kit, L200CS
255526	Throat Seal Kit, L200SS
255527	Throat Seal Kit, L200CM and L200SM
255534	Piston Kit
255541	Intake Soft Seal Kit, L200CS
255622	Intake Soft Seal Kit, L200CM
255542	Intake Soft Seal Kit, L200SS
255623	Intake Soft Seal Kit, L200SM
255552	Piston Seal Metal and Soft Kit
255559	Intake Valve Seal Metal and Soft Kit; Severe Duty, L200CS
255625	Intake Valve Seal Metal and Soft Kit; MaxLife, L200CM
255560	Intake Valve Seal Metal and Soft Kit; Severe Duty, L200SS
255626	Intake Valve Seal Metal and Soft Kit; MaxLife, L200SM
255571	Displacement Rod Kit, L200CS and L200SS; see 25 for parts included in kit
255572	Displacement Rod Kit, L200CM and L200SM; see 25 for parts included in kit
255579	Priming Piston Rod Kit; L200CS
255580	Priming Piston Rod Kit; L200CM
255581	Priming Piston Rod Kit; L200SS
255582	Priming Piston Rod Kit; L200SM
255593	Cylinder Kit; L200CS, L200SS
255594	Cylinder Kit; L200CM, L200CS
255605	Outlet Kit; Carbon models; see 25 for parts included in kit
255606	Outlet Kit; SST models; see 25 for parts included in kit
255611	Intake Housing Kit; Carbon models; see 25 for parts included in kit
255612	Intake Housing Kit; SST models; see 25 for parts included in kit
255615	Bleed Valve Kit, all Carbon models

Kit	Description
255616	Bleed Valve Kit, all SST models
255619	Enclosed Wet Cup Seal Kit; MaxLife, L200CM and L200SM
255693	Complete Seal Kit; PTFE Alternative; includes all PTFE Alternative kits listed under L200cc Packing Kits , page 28
255697	Enclosed Wet Cup Kit; L200CM
255700	Enclosed Wet Cup Kit; L200SM

L200cc Packing Kits

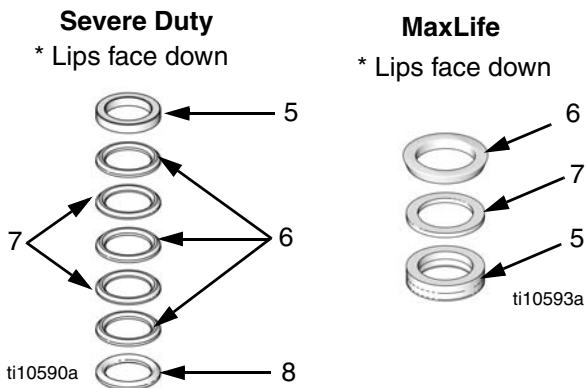
Throat Packings

Severe Duty

Ref.	Description	Qty.
5	★ GLAND, packing female	1
	* GLAND, SST	1
6	V-PACKING; UHMWPE	3
7	V-PACKING; PTFE	2
8	★ GLAND, packing, male	1
	* GLAND, packing, male; SST	1

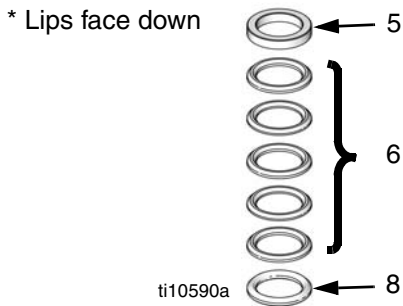
MaxLife

Ref.	Description	Qty.
5	SEAL, u-cup	1
6	SPACER, metal	1
7	SPACER, acetal	1



PTFE Alternative

Ref.	Description	Qty.
5	GLAND, packing, female	1
6	V-PACKING, PTFE	5
8	GLAND, packing, male	1



Intake Valve Packings

Severe Duty and MaxLife

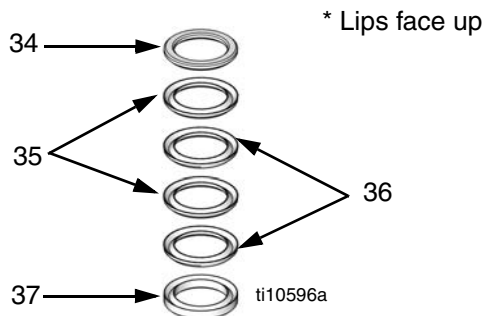
Ref.	Description	Qty.
34	★✘ GLAND, male, priming piston	1
	*✘ GLAND, male, priming piston; SST	1
35	PACKING; UHMWPE	2
36	★* PACKING; PTFE (Severe Duty)	2
	*✘ PACKING; leather (MaxLife)	2
37	★✘ GLAND, female, priming piston	1
	*✘ GLAND, female, priming piston; SST	1

★ Model L200CS only.

✘ Model L200CM only.

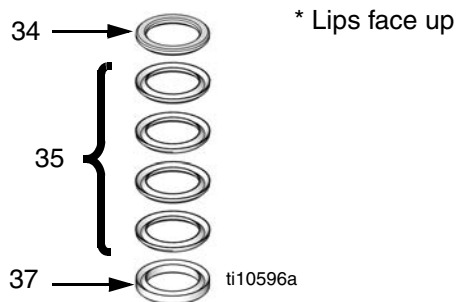
* Model L200SS only.

*✘ Model L200SM only.



PTFE Alternative

Ref.	Description	Qty.
34	GLAND, male, priming piston	1
35	PACKING, PTFE	4
37	GLAND, female, priming piston	1



Piston Packings

PTFE Alternative

Ref.	Description	Qty.
31	SEAL, piston	1

250cc Displacement Pumps

Ref.	Part	Description	Qty.	Ref.	Part	Description	Qty.
				31‡		SEAL, piston	1
				32‡		VALVE, intake	1
1	★✱255573	KIT, rod, displacement; chrome (includes 18, 21)	1	33‡	★✱	NUT, packing	1
	✱✱255574	KIT, rod, displacement; MaxLife (includes 18, 21)	1		✱✱	NUT, packing; SST	1
2	★✱255605	KIT, outlet, housing (includes 18, 21, 47, 49, 52)	1	34‡		GLAND, male, piston; SST; see L250cc Packing Kits	1
	✱✱255606	KIT, outlet, housing, SST (includes 18, 21, 47, 49, 52)	1	35‡		V-PACKING; see L250cc Packing Kits	2
3	★✱189641	CARTRIDGE	1	36‡	★✱	V-PACKING; PTFE; see L250cc Packing Kits	2
	✱✱189645	CARTRIDGE; SST	1		✱✱	V-PACKING; leather; see L250cc Packing Kits	2
4‡	166073	O-RING	1	37‡		GLAND, female, piston; see L250cc Packing Kits	1
5‡	★✱	GLAND, packing female; see L250cc Packing Kits	1	38‡		SEAL, valve	1
	✱✱	GLAND, packing, u-cup; see L250cc Packing Kits	1	39‡	★✱	HOUSING, valve	1
6‡	★✱	V-PACKING; PTFE; see L250cc Packing Kits	2		✱✱	HOUSING, valve; SST	1
	✱✱	SPACER, u-cup; see L250cc Packing Kits	1	40‡	★✱	PLUG, valve	1
7‡	★✱	V-PACKING; UHMWPE; see L250cc Packing Kits	3		✱✱	PLUG, valve; SST	1
	✱✱	SPACER, acetal; see L250cc Packing Kits	1	41‡		HANDLE, outlet bleed	1
8‡	★✱	GLAND, packing male; see L250cc Packing Kits	1	42‡		CLIP, outlet bleed	1
9‡	★	NUT, packing, open	1	47▲	★✱184090	LABEL, warning	2
	✱	CUP, wet, enclosed	1		✱✱184462	LABEL, warning	2
	✱✱	CUP, wet; SST	1	49	★✱100508	SCREW, drive	6
10‡	✱✱	COVER, wet cup	1		✱✱109202	SCREW, drive	6
11‡	✱✱104095	O-RING	1	50▲	172479	TAG, instruction, safety	1
12‡	✱✱	SIGHTGLASS	1	51	✱✱	PLUG, pipe	1
13‡	✱✱	COVER, oil hole	1	52	197561	PLATE, identification	1
14‡	✱✱	SCREW, socket hd cap; M5 x 12	3	60	✱✱	PLUG, pipe	1
15‡	✱✱	WIPER, wet cup cover	1		★	<i>Model L250CS only.</i>	
16‡	✱✱	SEAL, wet cup cover	1		✱	<i>Model L250CM only.</i>	
17‡	★✱	CYLINDER, pump	1		✱	<i>Model L250SS only.</i>	
	✱✱	CYLINDER, pump, MaxLife	1		✱	<i>Model L250SM only.</i>	
18‡	109499	O-RING	2		‡	<i>See L250cc Kits table, page 30.</i>	
19	★✱190389	HOUSING, valve	1		▲	<i>Replacement Danger and Warning labels, tags, and cards are available at no cost.</i>	
	✱✱190390	HOUSING, valve; SST	1				
20‡		SEAT, valve	1				
21‡	189492	SEAL,	1				
22	★✱255611	KIT, intake housing (includes 21, 47)	1				
	✱✱255612	KIT, intake housing; SST (includes 21, 47)	1				
23‡		SEAT, piston	1				
24‡	★✱	ROD, piston	1				
	✱✱	ROD, piston; MaxLife	1				
26	276378	PISTON	1				
27	190241	SEAT, piston	1				
28‡	★✱15M655	GUIDE, piston	1				
	✱✱15M523	GUIDE, piston; SST	1				
29‡		BEARING, guide	1				
30‡		SEAT, piston	1				

L250cc Kits

The following table indicates which parts (according to reference number) are included in each kit.

Kit	Reference Numbers																																						
	4	5	6	7	8	9	10	11	12	13	14	15	16	17	18	20	21	23	24	29	30	31	32	33	34	35	36	37	38	39	40	41	42	51	60				
255513	✓	✓	✓	✓	✓										✓		✓				✓		✓			✓	✓	✓	✓	✓									
255514	✓	✓	✓	✓				✓					✓	✓		✓		✓				✓		✓			✓	✓	✓	✓	✓								
255515	✓	✓	✓	✓	✓										✓		✓					✓		✓			✓	✓	✓	✓	✓								
255516	✓	✓	✓	✓				✓					✓	✓		✓		✓				✓		✓			✓	✓	✓	✓	✓								
255528	✓	✓	✓	✓	✓																																		
255529	✓	✓	✓	✓	✓																																		
255530	✓	✓	✓	✓				✓					✓	✓																									
255536															✓		✓					✓		✓															
255543																	✓										✓	✓	✓	✓	✓								
255544																	✓										✓	✓	✓	✓	✓								
255545																	✓										✓	✓	✓	✓	✓								
255546																	✓										✓	✓	✓	✓	✓								
255554															✓		✓	✓			✓		✓	✓	✓														
255561																✓	✓							✓	✓	✓	✓	✓	✓	✓	✓								
255562																✓	✓							✓	✓	✓	✓	✓	✓	✓	✓								
255563																✓	✓							✓	✓	✓	✓	✓	✓	✓	✓								
255564																✓	✓							✓	✓	✓	✓	✓	✓	✓	✓								
255583															✓		✓			✓						✓	✓	✓	✓	✓									
255584															✓		✓			✓						✓	✓	✓	✓	✓									
255585															✓		✓			✓						✓	✓	✓	✓	✓									
255586															✓		✓			✓						✓	✓	✓	✓	✓									
255597															✓	✓																							
255598															✓	✓																							
255615																																				✓	✓	✓	✓
255616																																				✓	✓	✓	✓
255620													✓	✓																									
255694	✓	✓	✓		✓										✓		✓							✓			✓		✓	✓	✓								
255698	✓	✓	✓	✓			✓	✓	✓	✓	✓	✓	✓	✓																								✓	✓
255701	✓	✓	✓	✓			✓	✓	✓	✓	✓	✓	✓	✓																								✓	✓

L250cc Kit Descriptions

Kit	Description
255513	Complete Seal Kit, L250CS
255514	Complete Seal Kit, L250CM
255515	Complete Seal Kit, L250SS
255516	Complete Seal Kit, L250SM
255528	Throat Seal Kit, L250CS
255529	Throat Seal Kit, L250SS
255530	Throat Seal Kit, L250CM and L250SM
255536	Piston Kit
255543	Intake Soft Seal Kit, L250CS
255544	Intake Soft Seal Kit, L250CM
255545	Intake Soft Seal Kit, L250SS
255546	Intake Soft Seal Kit, L250SM
255554	Piston Seal Metal and Soft Kit
255561	Intake Valve Seal Metal and Soft Kit; L250CS
255562	Intake Valve Seal Metal and Soft Kit; L250CM
255563	Intake Valve Seal Metal and Soft Kit; L250SS
255564	Intake Valve Seal Metal and Soft Kit; L250SM
255573	Displacement Rod Kit, L250CS and L250SS
255574	Displacement Rod Kit, L250CM and L250SM
255583	Priming Piston Rod Kit; L250CS
255584	Priming Piston Rod Kit; L250CM
255585	Priming Piston Rod Kit; L250SS
255586	Priming Piston Rod Kit; L250SM
255597	Cylinder Kit; L250CS and L250SS
255598	Cylinder Kit; L250CM and L250SM
255605	Outlet Kit; Carbon models
255606	Outlet Kit; SST models
255611	Intake Housing Kit; Carbon models
255612	Intake Housing Kit; SST models
255615	Bleed Valve Kit, all Carbon models

Kit	Description
255616	Bleed Valve Kit, all SST models
255620	Enclosed Wet Cup Seal Kit; MaxLife, L250CM and L250SM
255694	Complete Seal Kit; PTFE Alternative; includes all PTFE alternative kits listed under L250cc Packing Kits , page 32.
255698	Enclosed Wet Cup Kit; L250CM
255701	Enclosed Wet Cup Kit; L250SM

L250cc Packing Kits

Throat Packings

Severe Duty

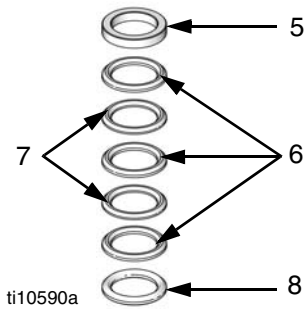
Ref.	Description	Qty.
5	★ GLAND, packing, female	1
	✱ GLAND, packing, female; SST	1
6	V-PACKING; UHMWPE	3
7	V-PACKING; PTFE	2
8	★ GLAND, packing, male	1
	✱ GLAND, packing, male; SST	1

MaxLife

Ref.	Description	Qty.
5	SEAL, u-cup	1
6	SPACER, metal	1
7	SPACER, acetal	1

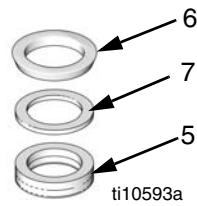
Severe Duty

* Lips face down



MaxLife

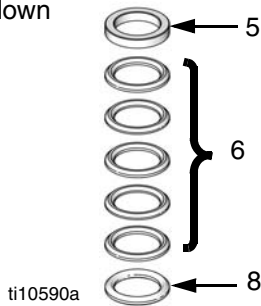
* Lips face down



PTFE Alternative

Ref.	Description	Qty.
5	GLAND, packing, female	1
6	V-PACKING, PTFE	5
8	GLAND, packing, male	1

* Lips face down



Intake Valve Packings

Severe Duty and MaxLife

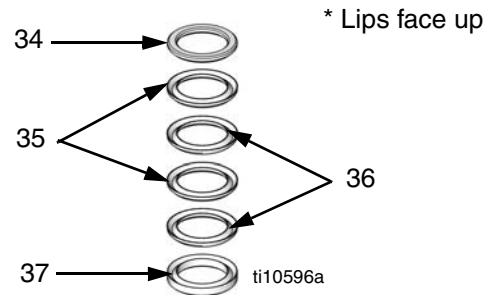
Ref.	Description	Qty.
34	GLAND, male, priming piston; SST	1
35	PACKING; UHMWPE	2
36	★✱ PACKING; PTFE (Severe Duty)	2
	✱✱ PACKING; leather (MaxLife)	2
37	GLAND, female, priming piston	1

★ Model L250CS only.

✱ Model L250CM only.

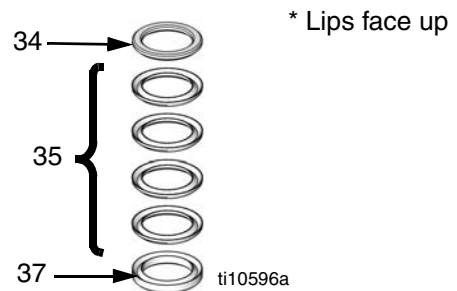
✱ Model L250SS only.

✱ Model L250SM only.



PTFE Alternative

Ref.	Description	Qty.
34	GLAND, male, priming piston	1
35	PACKING, PTFE	4
37	GLAND, female, priming piston	1



Piston Packings

PTFE Alternative

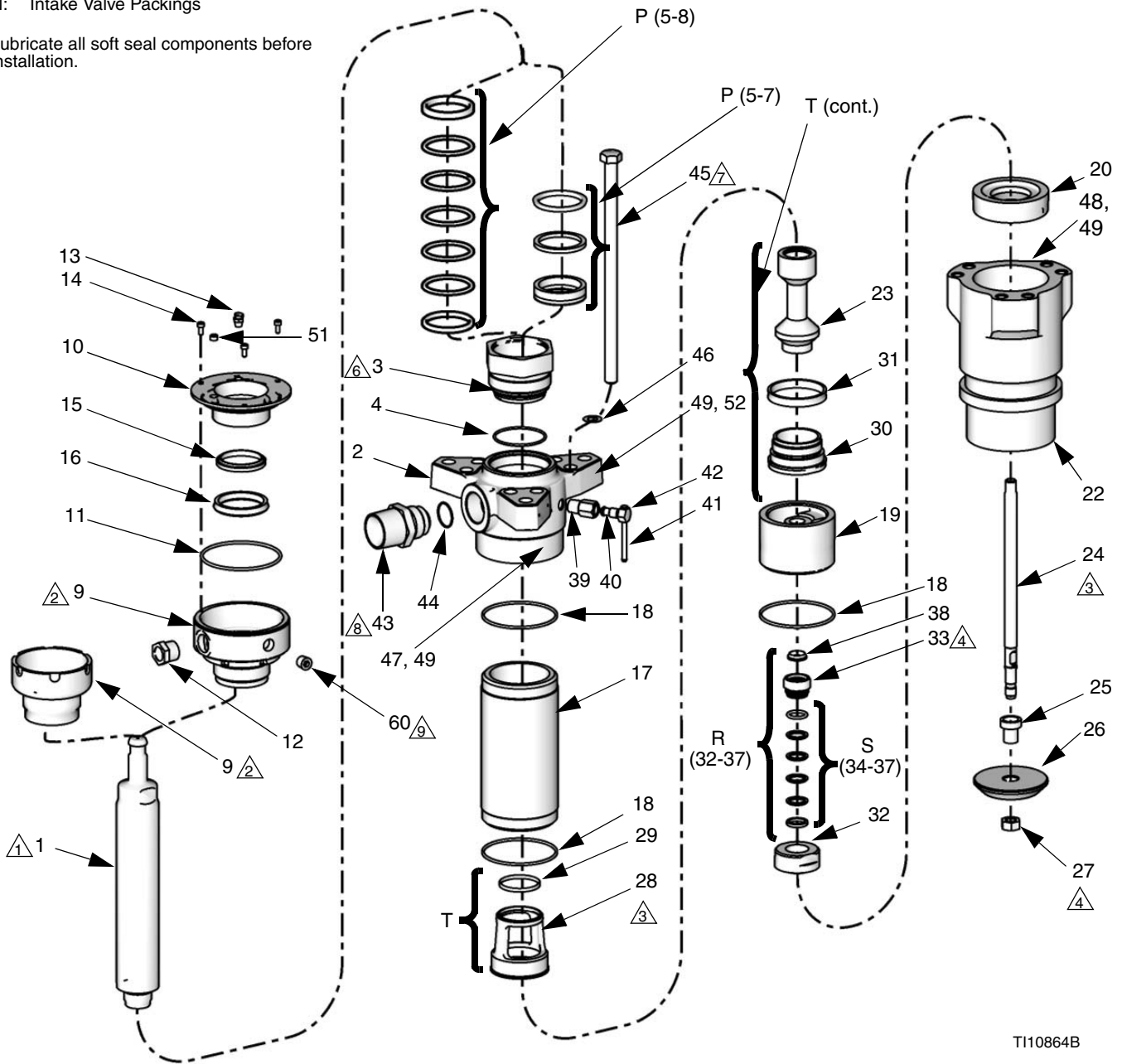
Ref.	Description	Qty.
31	SEAL, piston	1

500cc Displacement Pumps

KEY:

- △1 Torque to 327-363 ft-lb (441-490 N•m)
- △2 Torque to 95-115 ft-lb (128-155 N•m)
- △3 Torque to 90-100 ft-lb (122-135 N•m)
- △4 Torque to 71-78 ft-lb (96-106 N•m)
- △6 Torque to 149-261 ft-lb (203-355 N•m)
- △7 Torque to 160-220 ft-lb (217-299 N•m)
- △8 Torque to 104-136 ft-lb (141-185 N•m)
- △9 Apply thread sealant
- L: Piston Check Valve Assembly
- M: Throat Packings
- N: Intake Valve Packings

Lubricate all soft seal components before installation.



TI10864B

L500cc Models

Ref.	Part	Description	Qty.	Ref.	Part	Description	Qty.
1	★✱255575	KIT, rod, displacement; chrome (includes 18)	1	32‡	★✱	VALVE, intake	1
	✱✱255576	KIT, rod, displacement; MaxLife (includes 18)	1		✱✱	VALVE, intake; SST	1
2	★✱255607	KIT, outlet, housing (includes 18, 44, 47, 49, 52)	1	33‡	★✱	NUT, packing	1
	✱✱255609	KIT, outlet, housing (includes 18, 44, 47, 49, 52)	1		✱✱	NUT, packing; SST	1
3	★✱15K752	CARTRIDGE	1	34‡		GLAND, male, piston; SST; see L500cc Packing Kits	1
	✱✱15M634	CARTRIDGE; SST	1	35‡		V-PACKING; see L500cc Packing Kits	2
4‡	102857	O-RING	1	36‡	★✱	V-PACKING; see L500cc Packing Kits	2
5‡	★✱	GLAND, packing female; see L500cc Packing Kits	1		✱✱	V-PACKING; see L500cc Packing Kits	2
	✱✱	GLAND, packing, u-cup; see L500cc Packing Kits	1	37‡		GLAND, female, piston; SST; see L500cc Packing Kits	1
6‡	★✱	V-PACKING; PTFE; see L500cc Packing Kits	2	38‡		SEAL, valve	1
	✱✱	SPACER, u-cup; see L500cc Packing Kits	1	39‡	★✱	HOUSING, valve	1
7‡	★✱	V-PACKING; UHMWPE; see L500cc Packing Kits	3		✱✱	HOUSING, valve; SST	1
	✱✱	SPACER; acetal; see L500cc Packing Kits	1	40‡	★✱	PLUG, valve	1
8‡	★✱	GLAND, packing male; see L500cc Packing Kits	1		✱✱	PLUG, valve; SST	1
9‡	★✱	NUT, packing, open	1	41‡		HANDLE, outlet bleed	1
	✱✱	CUP, wet, enclosed	1	42‡		CLIP, outlet bleed	1
10‡	✱✱	COVER, wet cup	1	43	★✱184279	FITTING, outlet	1
11‡	✱✱104095	O-RING	1		✱✱184387	FITTING, outlet; SST	1
12‡	✱✱	SIGHTGLASS	1	44‡	109213	SEAL, outlet	1
13‡	✱✱	COVER, oil hole	1	45	★✱109203	BOLT, hex	6
14‡	✱✱	SCREW, socket hd cap; M5 x 12	3		✱✱109470	BOLT, hex; SST	6
15‡	✱✱	WIPER, wet cup cover	1	46	✱✱184618	WASHER, split	6
16‡	✱✱	SEAL, wet cup cover	1	47▲	★✱184293	LABEL, warning	1
17‡	★✱	CYLINDER, pump	1		✱✱184462	LABEL, warning	1
	✱✱	CYLINDER, pump, MaxLife	1	49	★✱100508	SCREW, drive	6
18‡	184072	O-RING	3		✱✱109202	SCREW, drive; SST	6
19	184415	HOUSING, valve	1	50▲	172479	TAG, instruction, safety	1
20‡	★✱	SEAT, valve	1	51	✱✱	PLUG, pipe	1
	✱✱	SEAT, valve; SST	1	52	197561	PLATE, identification	1
22	★✱255613	KIT, intake housing (includes 48)	1	60	✱✱	PLUG, pipe	1
	✱✱255614	KIT, intake housing; SST (includes 48)	1				
23‡		SEAT, piston	1				
24‡	★✱	ROD, piston	1				
	✱✱	ROD, piston; MaxLife	1				
25	189988	GUIDE, piston, SST	1				
26	★✱190276	PISTON	1				
	✱✱190277	PISTON; SST	1				
27	★✱112733	SEAT, piston	1				
	✱✱112734	SEAT, piston; SST	1				
28‡	15M525	GUIDE, piston	1				
29‡		BEARING, guide	1				
30‡		SEAT, piston	1				
31‡		SEAL, piston; see L500cc Packing Kits	1				

★ *Model L500CS only.*✱ *Model L500CM only.*✱ *Model L500SS only.*✱ *Model L500SM only.*‡ *See **L500cc Kits** table, page 36.*▲ *Replacement Danger and Warning labels, tags, and cards are available at no cost.*

L500cc Kits

The following table indicates which parts (according to reference number) are included in each kit.

Kit	Reference Numbers																																										
	4	5	6	7	8	9	10	11	12	13	14	15	16	17	18	20	23	24	29	30	31	32	33	34	35	36	37	38	39	40	41	42	44	51	60								
255517	✓	✓	✓	✓	✓										✓				✓		✓			✓	✓	✓	✓	✓							✓								
255518	✓	✓	✓	✓				✓					✓	✓	✓				✓		✓				✓	✓	✓	✓	✓								✓						
255519	✓	✓	✓	✓	✓										✓				✓		✓				✓	✓	✓	✓	✓								✓						
255520	✓	✓	✓	✓				✓					✓	✓	✓				✓		✓				✓	✓	✓	✓	✓								✓						
255531	✓	✓	✓	✓	✓																																						
255532	✓	✓	✓	✓				✓					✓	✓																													
255538															✓				✓		✓																						
255547															✓										✓	✓	✓	✓	✓														
255548															✓										✓	✓	✓	✓	✓														
255549															✓										✓	✓	✓	✓	✓														
255550															✓										✓	✓	✓	✓	✓														
255556															✓		✓		✓	✓	✓																						
255565															✓	✓							✓	✓	✓	✓	✓	✓	✓														
255566															✓	✓							✓	✓	✓	✓	✓	✓	✓														
255567															✓	✓							✓	✓	✓	✓	✓	✓	✓														
255568															✓	✓							✓	✓	✓	✓	✓	✓	✓														
255587															✓			✓						✓	✓	✓	✓	✓	✓														
255588															✓			✓						✓	✓	✓	✓	✓	✓														
255589															✓			✓						✓	✓	✓	✓	✓	✓														
255590															✓			✓						✓	✓	✓	✓	✓	✓														
255601															✓	✓				✓		✓																					
255602															✓	✓				✓		✓																					
255615																														✓	✓	✓	✓										
255616																														✓	✓	✓	✓										
255621												✓																															
255695	✓	✓	✓		✓										✓								✓			✓		✓	✓	✓													
255699	✓	✓	✓	✓		✓	✓	✓	✓	✓	✓	✓	✓	✓																									✓	✓			
255702	✓	✓	✓	✓		✓	✓	✓	✓	✓	✓	✓	✓	✓																										✓	✓		

L500cc Kit Descriptions

Kit	Description
255517	Complete Seal Kit, L500CS
255518	Complete Seal Kit, L500CM
255519	Complete Seal Kit, L500SS
255520	Complete Seal Kit, L500SM
255531	Throat Seal Kit, L500CS and L500SS
255532	Throat Seal Kit, L500CM and L500SM
255538	Piston Soft Seal Kit
255547	Intake Soft Seal Kit, L500CS
255548	Intake Soft Seal Kit, L500CM
255549	Intake Soft Seal Kit, L500SS
255550	Intake Soft Seal Kit, L500SM
255556	Piston Seal Metal and Soft Kit
255565	Intake Valve Seal Metal and Soft Kit; Severe Duty, L500CS
255566	Intake Valve Seal Metal and Soft Kit; MaxLife, L500CM
255567	Intake Valve Seal Metal and Soft Kit; Severe Duty, L500SS
255568	Intake Valve Seal Metal and Soft Kit; MaxLife, L500SM
255575	Displacement Rod Kit, L500CS and L500SS
255576	Displacement Rod Kit, L500CM and L500SM
255587	Priming Piston Rod Kit; L500CS
255588	Priming Piston Rod Kit; L500CM
255589	Priming Piston Rod Kit; L500SS
255590	Priming Piston Rod Kit; L500SM
255601	Cylinder Kit; Severe Duty, L500CS and L500SS
255602	Cylinder Kit; MaxLife, L500CM and L500SM
255607	Outlet Kit; Carbon, L500CS and L500CM
255609	Outlet Kit; SST, L500SM and L500SS
255613	Intake Housing Kit; Carbon models
255614	Intake Housing Kit; SST models
255615	Bleed Valve Kit, all Carbon models

Kit	Description
255616	Bleed Valve Kit, all SST models
255621	Enclosed Wet Cup Seal Kit; MaxLife, L500CM and L500SM
255695	Complete Seal Kit; PTFE Alternative; includes all PTFE alternative kits listed under L500cc Packing Kits , page 38.
255699	Enclosed Wet Cup Kit; L500CM
255702	Enclosed Wet Cup Kit; L500SM

L500cc Packing Kits

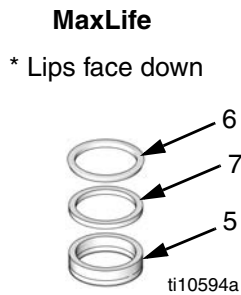
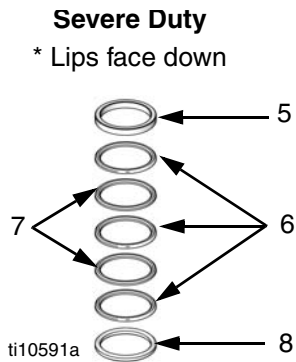
Throat Packings

Severe Duty

Ref.	Description	Qty.
5	GLAND, packing female	1
6	V-PACKING; UHMWPE	3
7	V-PACKING; PTFE	2
8	GLAND, packing male	1

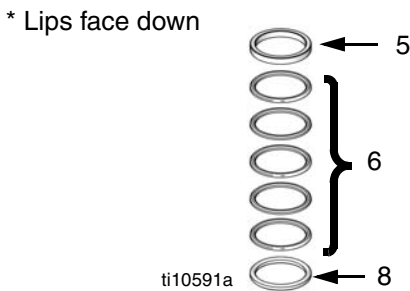
MaxLife

Ref.	Description	Qty.
5	SEAL, u-cup	1
6	SPACER, metal	1
7	SPACER, acetal	1



PTFE Alternative

Ref.	Description	Qty.
5	GLAND, packing, female	1
6	V-PACKING, PTFE	5
8	GLAND, packing, male	1

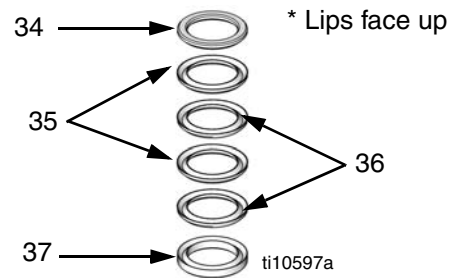


Intake Valve Packings

Severe Duty and MaxLife

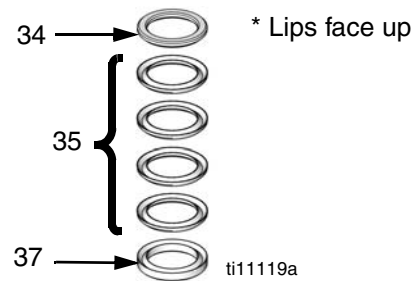
Ref.	Description	Qty.
34	GLAND, male, priming piston	1
35	PACKING; UHMWPE	2
36	★※ PACKING; PTFE (Severe Duty) ※※ PACKING; leather (MaxLife)	2
37	GLAND, female, priming piston	1

- ★ Model L500CS only.
- ※ Model L500CM only.
- ※ Model L500SS only.
- ※ Model L500SM only.



PTFE Alternative

Ref.	Description	Qty.
34	GLAND, male, priming piston	1
35	PACKING, PTFE	4
37	GLAND, female, priming piston	1



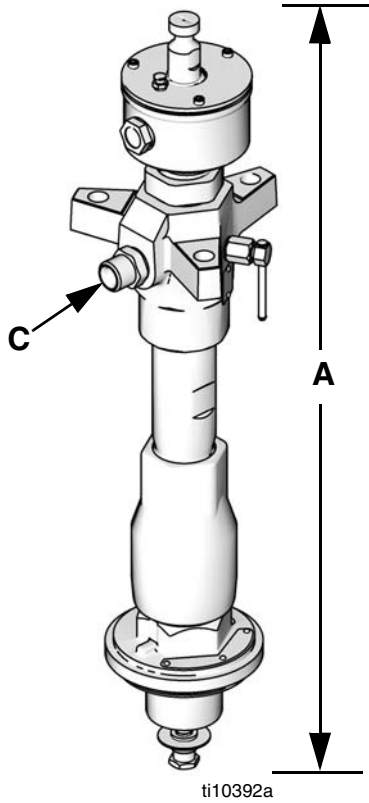
Piston Packings

PTFE Alternative

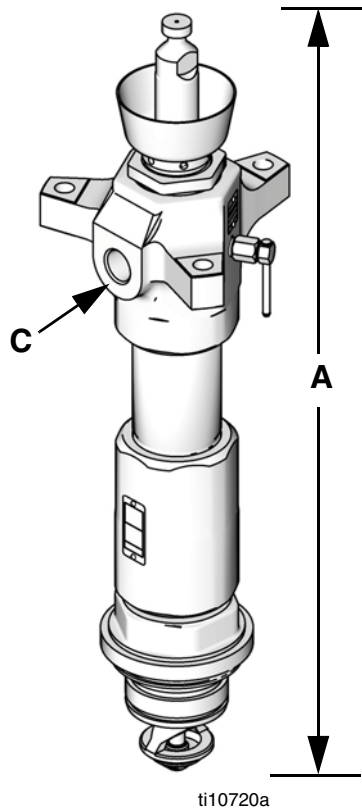
Ref.	Description	Qty.
31	SEAL, piston	1

Dimensions

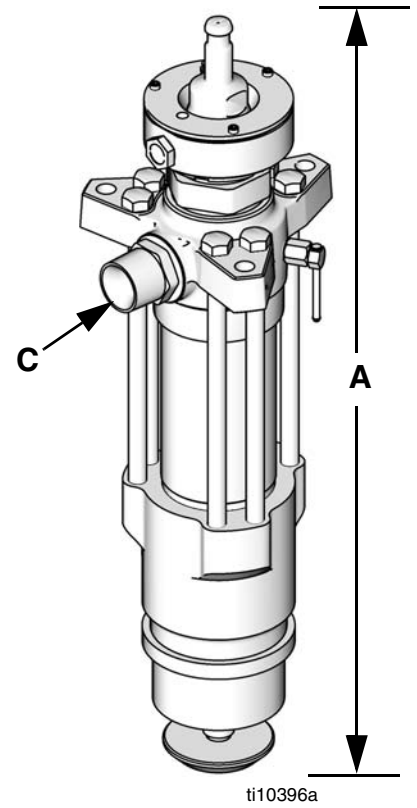
L060CM and L100CM Models



L200SM and L250SM Models



L500CM Model

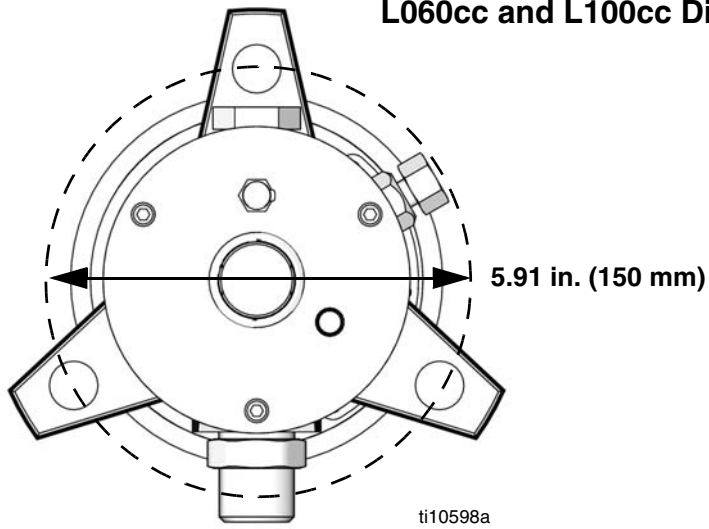


Displacement Pump Dimensions

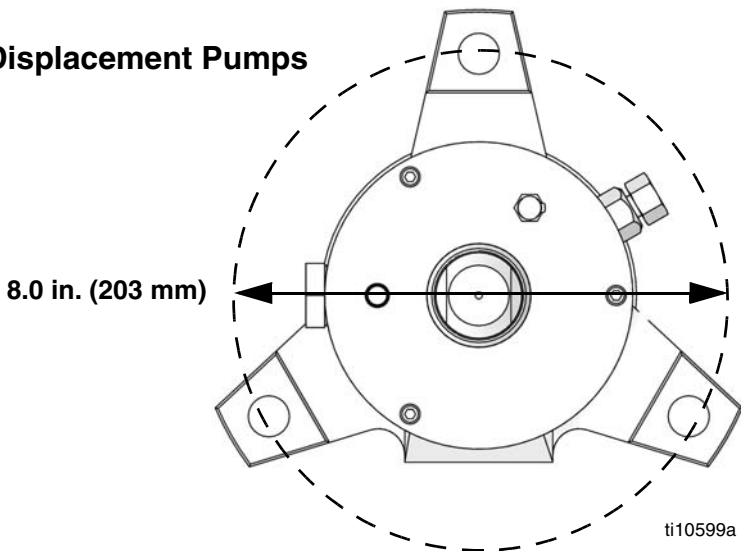
Displacement Pump	A (Height) in. (mm)	C (Outlet Size) in. npt	Weight lbs (kg)
60cc	27.2 (691.0)	3/4 npt(m)	34 (15.5)
100cc	28.62 (727.0)	3/4 npt(m)	35 (16)
200cc	29.75 (755.7)	1 npt(f)	64 (29)
250cc	29.68 (754.0)	1 npt(f)	64 (29)
500cc	29.88 (759.0)	1-1/2 npt(m)	86 (39)

Outlet Housing Mounting Hole Layout

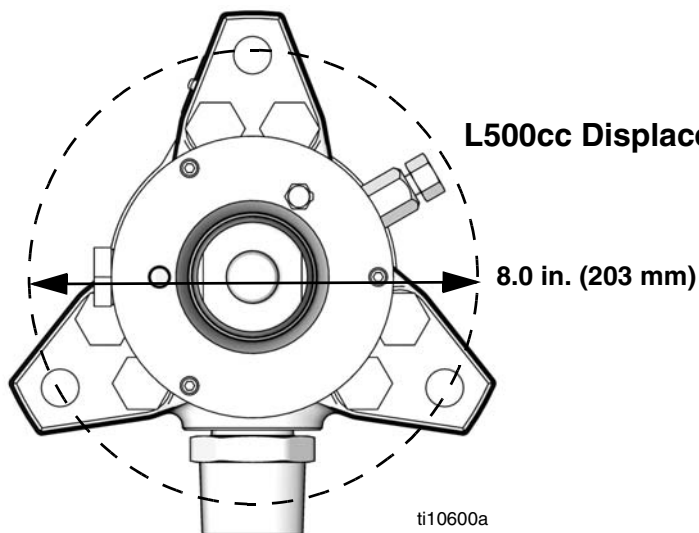
L060cc and L100cc Displacement Pumps

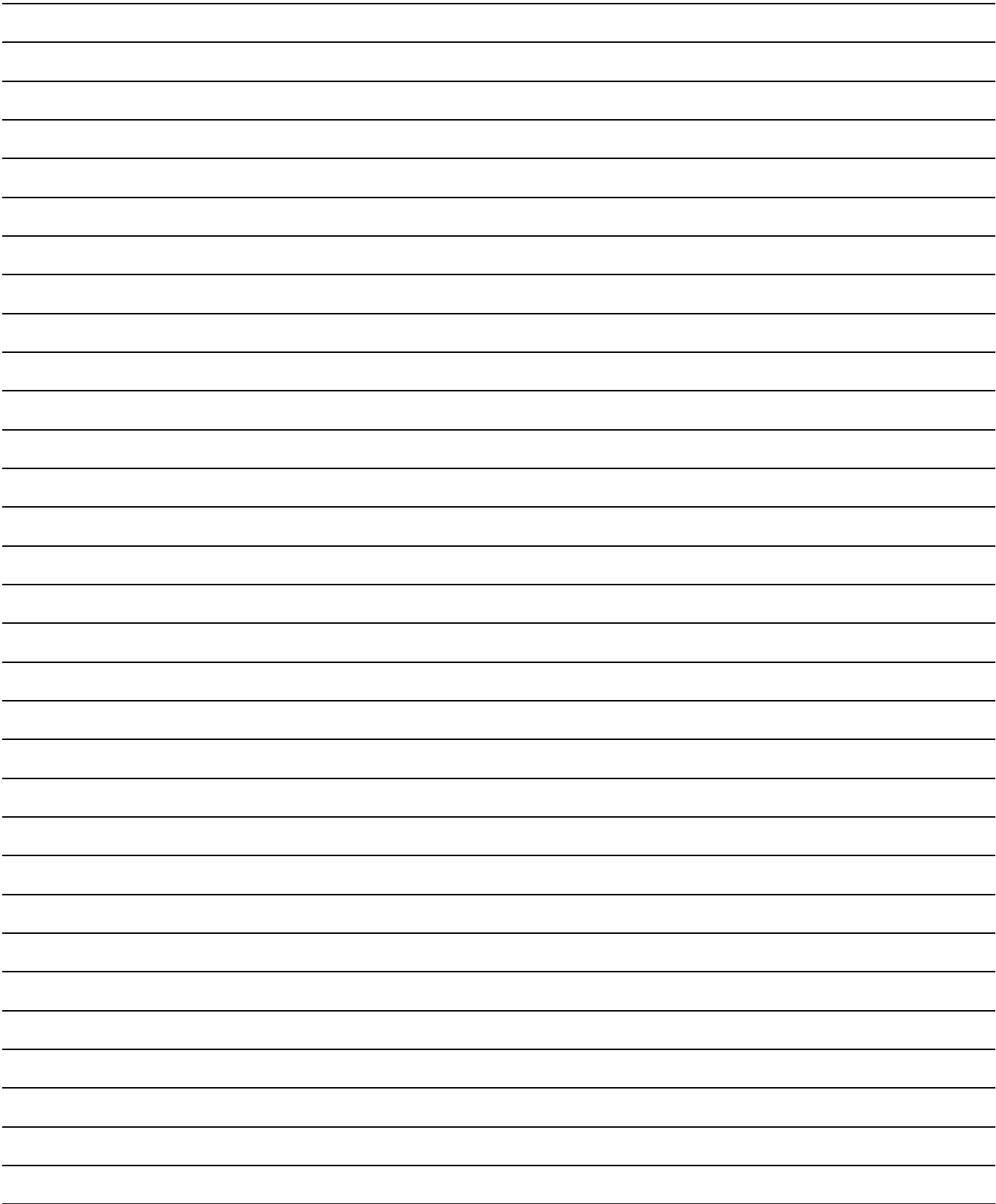


L200cc and L250cc Displacement Pumps



L500cc Displacement Pumps





Technical Data

All displacement pump models have the same maximum operating temperature.

Displacement Pump	Maximum Fluid Working Pressure	Displacement per Cycle
60cc	6100 psi (42 MPa, 421 bar)	60cc
100cc	6300 psi (44.1 MPa, 441 bar)	100cc
200cc	6200 psi (43.4 MPa, 434 bar)	200cc
250cc	6200 psi (43.4 MPa, 434 bar)	250cc
500cc	3900 psi (27.3 MPa, 273 bar)	500cc

Maximum operating temperature 180° F (80° C)
 Stroke length NXT2200, NXT3400, and NXT6500 NXT air motors:
 4.75 in. (120 mm)
 NXT200, NXT400, NXT700, NXT1200, and NXT1800 air
 motors: 2.5 in. (63 mm)

See next page for wetted parts.

Wetted parts:

L060CS, L060CM, L100CS, L100CM	E52100, 41L40, and 4140 Alloy Steel; 304, 316, and 17-4 PH Grades of Stainless Steel; Acetal; Carbon-filled PTFE; Carbon Steel; Ductile Iron; Nickel and Zinc Plating; Leather; PTFE; Ultra-High Molecular Weight Polyethylene; Leather
L060SS and L060SM	304, 316, and 17-4 PH Grades of Stainless Steel; Acetal; Leather; PTFE; Ultra-High Molecular Weight Polyethylene; Leather; PTFE Epoxy Resin
L100SS and L100SM	304, 316, and 17-4 PH Grades of Stainless Steel; Acetal; Leather; PTFE; Ultra-High Molecular Weight Polyethylene; Leather; PTFE Epoxy Resin
L200CS, L200CM, L250CS, L250CM	304, 316, 440, and 17-4 PH Grades of Stainless Steel; Acetal; Alloy Steel; Carbon-filled PTFE; Carbon Steel; Chrome, Zinc, and Nickel Plating; Ductile Iron; Glass-Filled PTFE; Leather; PTFE; Ultra-High Molecular Weight Polyethylene
L200SS and L200SM	304, 316, 440, 440C, and 17-4 PH Grades of Stainless Steel; Acetal; Carbon-filled PTFE; Chrome; Glass-Filled PTFE; Leather; PTFE; Ultra-High Molecular Weight Polyethylene
L250SS and L250SM	304, 316, 440, 440C, PH 13-8 MO, and 17-4 PH Grades of Stainless Steel; Acetal; Carbon-filled PTFE; Chrome; Glass-Filled PTFE; Leather; PTFE; Ultra-High Molecular Weight Polyethylene
L500CS and L500CM	304 and 17-4 PH Grades of Stainless Steel; E52100 Alloy Steel; Acetal; Carbon-filled PTFE; Carbon Steel; Chrome; Ductile Iron; Leather; PTFE; Ultra-High Molecular Weight Polyethylene
L500SS and L500SM	304, PH 13-8 MO, and 17-4 PH Grades of Stainless Steel; Acetal; Carbon-filled PTFE; Leather; PTFE; Ultra-High Molecular Weight Polyethylene

Graco Standard Warranty

Graco warrants all equipment referenced in this document which is manufactured by Graco and bearing its name to be free from defects in material and workmanship on the date of sale to the original purchaser for use. With the exception of any special, extended, or limited warranty published by Graco, Graco will, for a period of twelve months from the date of sale, repair or replace any part of the equipment determined by Graco to be defective. This warranty applies only when the equipment is installed, operated and maintained in accordance with Graco's written recommendations.

This warranty does not cover, and Graco shall not be liable for general wear and tear, or any malfunction, damage or wear caused by faulty installation, misapplication, abrasion, corrosion, inadequate or improper maintenance, negligence, accident, tampering, or substitution of non-Graco component parts. Nor shall Graco be liable for malfunction, damage or wear caused by the incompatibility of Graco equipment with structures, accessories, equipment or materials not supplied by Graco, or the improper design, manufacture, installation, operation or maintenance of structures, accessories, equipment or materials not supplied by Graco.

This warranty is conditioned upon the prepaid return of the equipment claimed to be defective to an authorized Graco distributor for verification of the claimed defect. If the claimed defect is verified, Graco will repair or replace free of charge any defective parts. The equipment will be returned to the original purchaser transportation prepaid. If inspection of the equipment does not disclose any defect in material or workmanship, repairs will be made at a reasonable charge, which charges may include the costs of parts, labor, and transportation.

THIS WARRANTY IS EXCLUSIVE, AND IS IN LIEU OF ANY OTHER WARRANTIES, EXPRESS OR IMPLIED, INCLUDING BUT NOT LIMITED TO WARRANTY OF MERCHANTABILITY OR WARRANTY OF FITNESS FOR A PARTICULAR PURPOSE.

Graco's sole obligation and buyer's sole remedy for any breach of warranty shall be as set forth above. The buyer agrees that no other remedy (including, but not limited to, incidental or consequential damages for lost profits, lost sales, injury to person or property, or any other incidental or consequential loss) shall be available. Any action for breach of warranty must be brought within two (2) years of the date of sale.

GRACO MAKES NO WARRANTY, AND DISCLAIMS ALL IMPLIED WARRANTIES OF MERCHANTABILITY AND FITNESS FOR A PARTICULAR PURPOSE, IN CONNECTION WITH ACCESSORIES, EQUIPMENT, MATERIALS OR COMPONENTS SOLD BUT NOT MANUFACTURED BY GRACO. These items sold, but not manufactured by Graco (such as electric motors, switches, hose, etc.), are subject to the warranty, if any, of their manufacturer. Graco will provide purchaser with reasonable assistance in making any claim for breach of these warranties.

In no event will Graco be liable for indirect, incidental, special or consequential damages resulting from Graco supplying equipment hereunder, or the furnishing, performance, or use of any products or other goods sold hereto, whether due to a breach of contract, breach of warranty, the negligence of Graco, or otherwise.

FOR GRACO CANADA CUSTOMERS

The Parties acknowledge that they have required that the present document, as well as all documents, notices and legal proceedings entered into, given or instituted pursuant hereto or relating directly or indirectly hereto, be drawn up in English. Les parties reconnaissent avoir convenu que la rédaction du présente document sera en Anglais, ainsi que tous documents, avis et procédures judiciaires exécutés, donnés ou intentés, à la suite de ou en rapport, directement ou indirectement, avec les procédures concernées.

Graco Information

For the latest information about Graco products, visit www.graco.com.

TO PLACE AN ORDER, contact your Graco distributor or call to identify the nearest distributor.

Phone: 612-623-6921 **or Toll Free:** 1-800-328-0211 **Fax:** 612-378-3505

All written and visual data contained in this document reflects the latest product information available at the time of publication. Graco reserves the right to make changes at any time without notice.

For patent information, see www.graco.com/patents.

Original instructions. This manual contains English. MM 312375

Graco Headquarters: Minneapolis
International Offices: Belgium, China, Japan, Korea

GRACO INC. AND SUBSIDIARIES • P.O. BOX 1441 • MINNEAPOLIS MN 55440-1441 • USA
Copyright 2007, Graco Inc. All Graco manufacturing locations are registered to ISO 9001.

www.graco.com

Revised November 2013