



# INDy or Formula Adapter Kit

3A2054A  
EN

---

For installing an RS gun onto an INDy or Formula system.

Part No. 125797



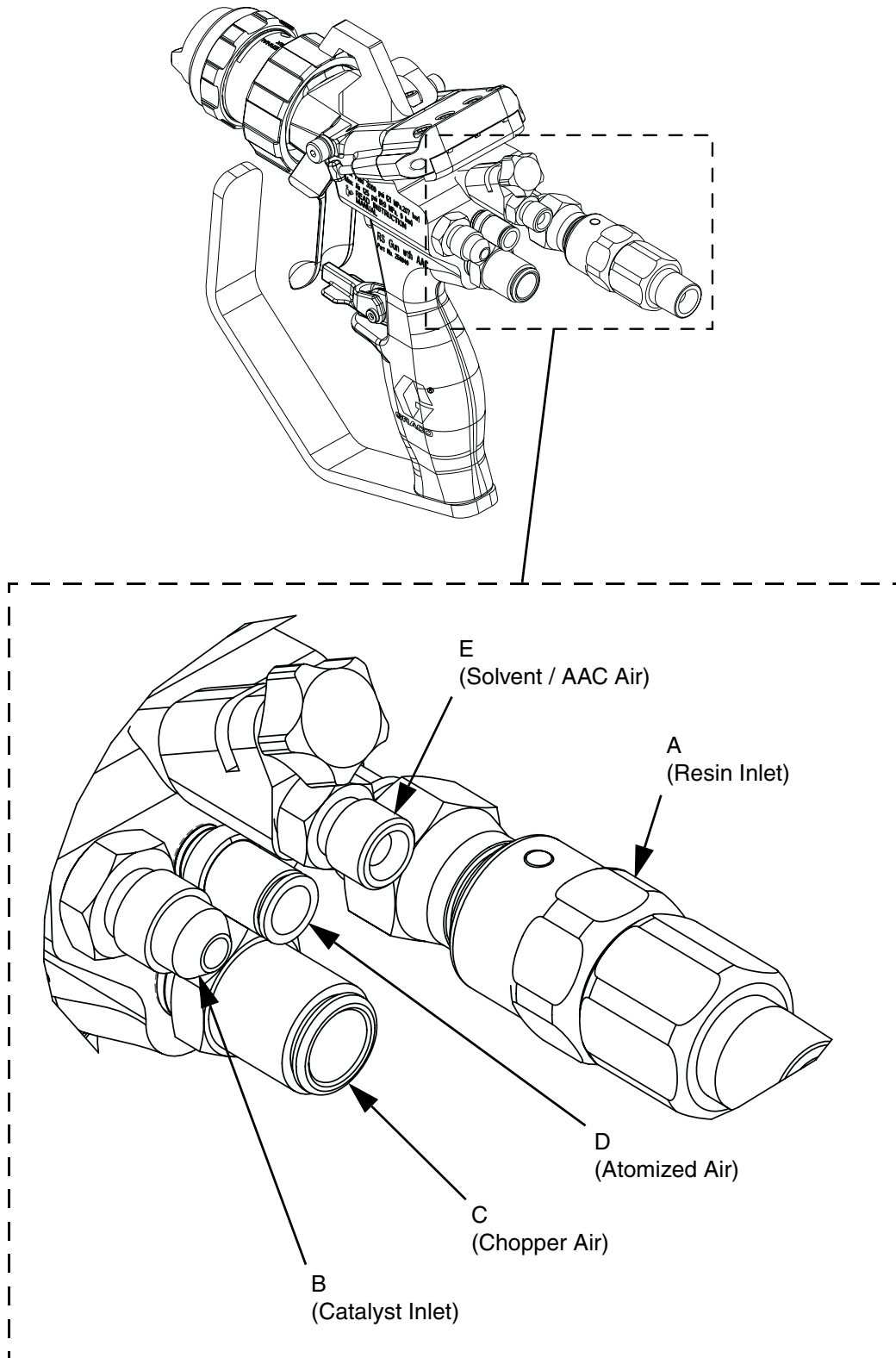
### Important Safety Instructions




Read all warnings and instructions in the RS gun manual 3A0232. Save all instructions.

## Contents

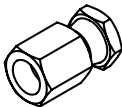
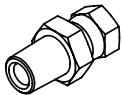
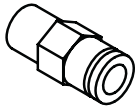
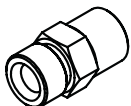
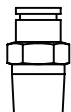
Connecting an RS Gun to an INDy or Formula System .....	2
Technical Data .....	3
Graco Standard Warranty .....	4

# Connecting an RS Gun to an INDy or Formula System



						
<p>To reduce the risk of skin injection from high pressure fluid, perform <b>Pressure Relief Procedure</b> before connecting fittings. See RS Gun manual 3A0232.</p>						

Gun to be Replaced	Fittings Required to Mount RS Gun				
	A	B	C	D	E
INDy - External Gel	No change	Replace with catalyst fitting (23520-00) from INDy gun	Not used	No change	Add 125782 and 123453. Used for AAC.
INDy - Internal Gel	No change	Replace with catalyst fitting (23520-00) from INDy gun	Remove 123737 and replace with 113034. Use for AAC.	Not used	Add 125783 to existing fitting 16C119. Used for solvent.
INDy - External Chop	No change	Replace with catalyst fitting (23520-00) from INDy gun	Remove 123737 and replace with 113034. Use for chopper air.	No change	Add 125782 and 123453. Used for AAC.
INDy - Internal Chop	No change	Replace with catalyst fitting (23520-00) from INDy gun	Remove 123737 and replace with GC0020. Use for chopper air.	Not used	Add 125783 to existing fitting 16C119. Used for solvent.
Formula - External Gel	No change	Replace with catalyst fitting (23520-00) from INDy gun	No change	No change	Add 125782 and 123453. Used for AAC.
Formula - Internal Gel	No change	Replace with catalyst fitting (23520-00) from INDy gun	Remove 123737 and replace with 113034. Use for AAC.	Not used	Add 125783 to existing fitting 16C119. Used for solvent.
Formula - External Chop	No change	Replace with catalyst fitting (23520-00) from INDy gun	Remove 123737 and replace with GC0020. Use for chopper air.	No change	Add 125782 and 123453. Used for AAC.
Formula - Internal Chop	No change	Replace with catalyst fitting (23520-00) from INDy gun	Remove 123737 and replace with GC0020. Use for chopper air.	Not used	Add 125783 to existing fitting 16C119. Used for solvent.

Used For Connection:	New Fitting	Part Number	Description
E		125782	1/8 npt (female) x 1/8 npsm (female)
E		125783	1/8 npsm (female) x 1/4 npt (male)
E		123453	1/8 npt (male) x 1/4 tube
C		GC0020	1/4 npt (male) x 1/4 npsm (male)
C		113034	1/4 npt (male) x 1/4 tube

**NOTE:** Catalyst fitting (23520-00) is not included in this kit, you must reuse the catalyst fitting from INDy/Formula gun. Do not use catalyst restrictor from the INDy or Formula gun, use the catalyst restrictor from the RS gun - if applicable.

**NOTE:** If your system uses the optional AAC, order kit 22632-00 and the required length of tubing 9704-3 (order tube by the foot).

**NOTE:** Some guns do not use all fittings included in this kit.

## Technical Data

Wetted parts ..... Carbon steel

# Graco Standard Warranty

Graco warrants all equipment referenced in this document which is manufactured by Graco and bearing its name to be free from defects in material and workmanship on the date of sale to the original purchaser for use. With the exception of any special, extended, or limited warranty published by Graco, Graco will, for a period of twelve months from the date of sale, repair or replace any part of the equipment determined by Graco to be defective. This warranty applies only when the equipment is installed, operated and maintained in accordance with Graco's written recommendations.

This warranty does not cover, and Graco shall not be liable for general wear and tear, or any malfunction, damage or wear caused by faulty installation, misapplication, abrasion, corrosion, inadequate or improper maintenance, negligence, accident, tampering, or substitution of non-Graco component parts. Nor shall Graco be liable for malfunction, damage or wear caused by the incompatibility of Graco equipment with structures, accessories, equipment or materials not supplied by Graco, or the improper design, manufacture, installation, operation or maintenance of structures, accessories, equipment or materials not supplied by Graco.

This warranty is conditioned upon the prepaid return of the equipment claimed to be defective to an authorized Graco distributor for verification of the claimed defect. If the claimed defect is verified, Graco will repair or replace free of charge any defective parts. The equipment will be returned to the original purchaser transportation prepaid. If inspection of the equipment does not disclose any defect in material or workmanship, repairs will be made at a reasonable charge, which charges may include the costs of parts, labor, and transportation.

**THIS WARRANTY IS EXCLUSIVE, AND IS IN LIEU OF ANY OTHER WARRANTIES, EXPRESS OR IMPLIED, INCLUDING BUT NOT LIMITED TO WARRANTY OF MERCHANTABILITY OR WARRANTY OF FITNESS FOR A PARTICULAR PURPOSE.**

Graco's sole obligation and buyer's sole remedy for any breach of warranty shall be as set forth above. The buyer agrees that no other remedy (including, but not limited to, incidental or consequential damages for lost profits, lost sales, injury to person or property, or any other incidental or consequential loss) shall be available. Any action for breach of warranty must be brought within two (2) years of the date of sale.

**GRACO MAKES NO WARRANTY, AND DISCLAIMS ALL IMPLIED WARRANTIES OF MERCHANTABILITY AND FITNESS FOR A PARTICULAR PURPOSE, IN CONNECTION WITH ACCESSORIES, EQUIPMENT, MATERIALS OR COMPONENTS SOLD BUT NOT MANUFACTURED BY GRACO.** These items sold, but not manufactured by Graco (such as electric motors, switches, hose, etc.), are subject to the warranty, if any, of their manufacturer. Graco will provide purchaser with reasonable assistance in making any claim for breach of these warranties.

In no event will Graco be liable for indirect, incidental, special or consequential damages resulting from Graco supplying equipment hereunder, or the furnishing, performance, or use of any products or other goods sold hereto, whether due to a breach of contract, breach of warranty, the negligence of Graco, or otherwise.

## **FOR GRACO CANADA CUSTOMERS**

The Parties acknowledge that they have required that the present document, as well as all documents, notices and legal proceedings entered into, given or instituted pursuant hereto or relating directly or indirectly hereto, be drawn up in English. Les parties reconnaissent avoir convenu que la rédaction du présente document sera en Anglais, ainsi que tous documents, avis et procédures judiciaires exécutés, donnés ou intentés, à la suite de ou en rapport, directement ou indirectement, avec les procédures concernées.

# Graco Information

For the latest information about Graco products, visit [www.graco.com](http://www.graco.com).

**TO PLACE AN ORDER**, contact your Graco distributor or call to identify the nearest distributor.

**Phone:** 612-623-6921 **or Toll Free:** 1-800-328-0211 **Fax:** 612-378-3505

*All written and visual data contained in this document reflects the latest product information available at the time of publication.  
Graco reserves the right to make changes at any time without notice.*

Original instructions. This manual contains English. MM 3A2054

**Graco Headquarters:** Minneapolis

**International Offices:** Belgium, China, Japan, Korea

**GRACO INC. AND SUBSIDIARIES • P.O. BOX 1441 • MINNEAPOLIS MN 55440-1441 • USA**

**Copyright 2011, Graco Inc. All Graco manufacturing locations are registered to ISO 9001.**

[www.graco.com](http://www.graco.com)