

GENUINE GRACO PARTS AND ACCESSORIES

24B618 (100cc) Integrator Kit

For ProMix[®] 2KS Proportioners



406804B

ENG



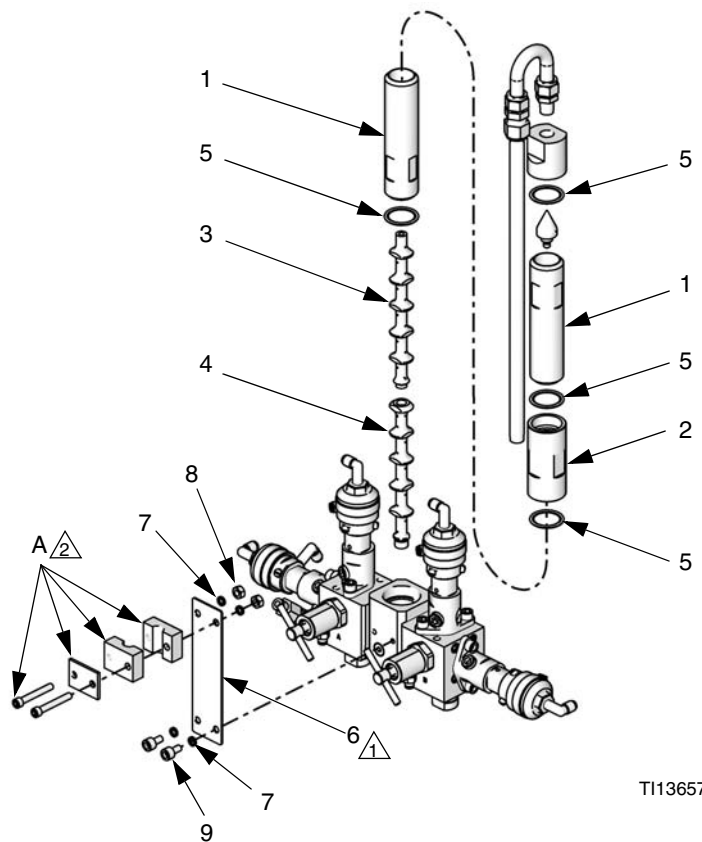
Important Safety Instructions

Read all warnings and instructions in manual 312781. Save those instructions.

| Ref. | Description | Qty. |
|------|----------------------------|------|
| 1 | HOUSING, 50cc | 2 |
| 2 | COUPLING, housing | 1 |
| 3 | TUBE, upper mix | 1 |
| 4 | TUBE, lower mix | 1 |
| 5 | O-RING, integrator housing | 4 |
| 6 | BRACKET | 1 |
| 7 | WASHER, lock | 4 |
| 8 | NUT | 2 |
| 9 | SCREW, 1/4-20 | 2 |

1 Remove tube bracket assembly (A) from manifold. Install bracket (6) using two screws (9) and washers (7).

2 Install tube bracket assembly (A) on bracket (6) using two washers (7) and nuts (8).



T113657b

Graco Inc. P.O. Box 1441 Minneapolis, MN 55440-1441

406804 Rev, B 10/2009

Copyright 2009, Graco Inc. is registered to ISO 9001