

**1 INTRODUCTION:**

Thank you for purchasing the GWS 6-Channel radio system. This unit have been designed and developed using the latest manufacturing technologies and incorporated with the finest modern precision electronic components.

GWS system are compatible with all current FM-PPM radio control system.

Please read these instructions carefully in order to obtain safe operation and maximum performance from your GWS system.

**2 TRANSMITTER SPECIFICATIONS:**

Model Number : GWT-6A

Encoder : 6-Channel

Frequency : 72MHz

Modulation : FM-PPM

Low Battery Indicator : Below 8.8V(LED turn to Red)

RF Output Power : Approximately 250mW

Current Drain : 100mA

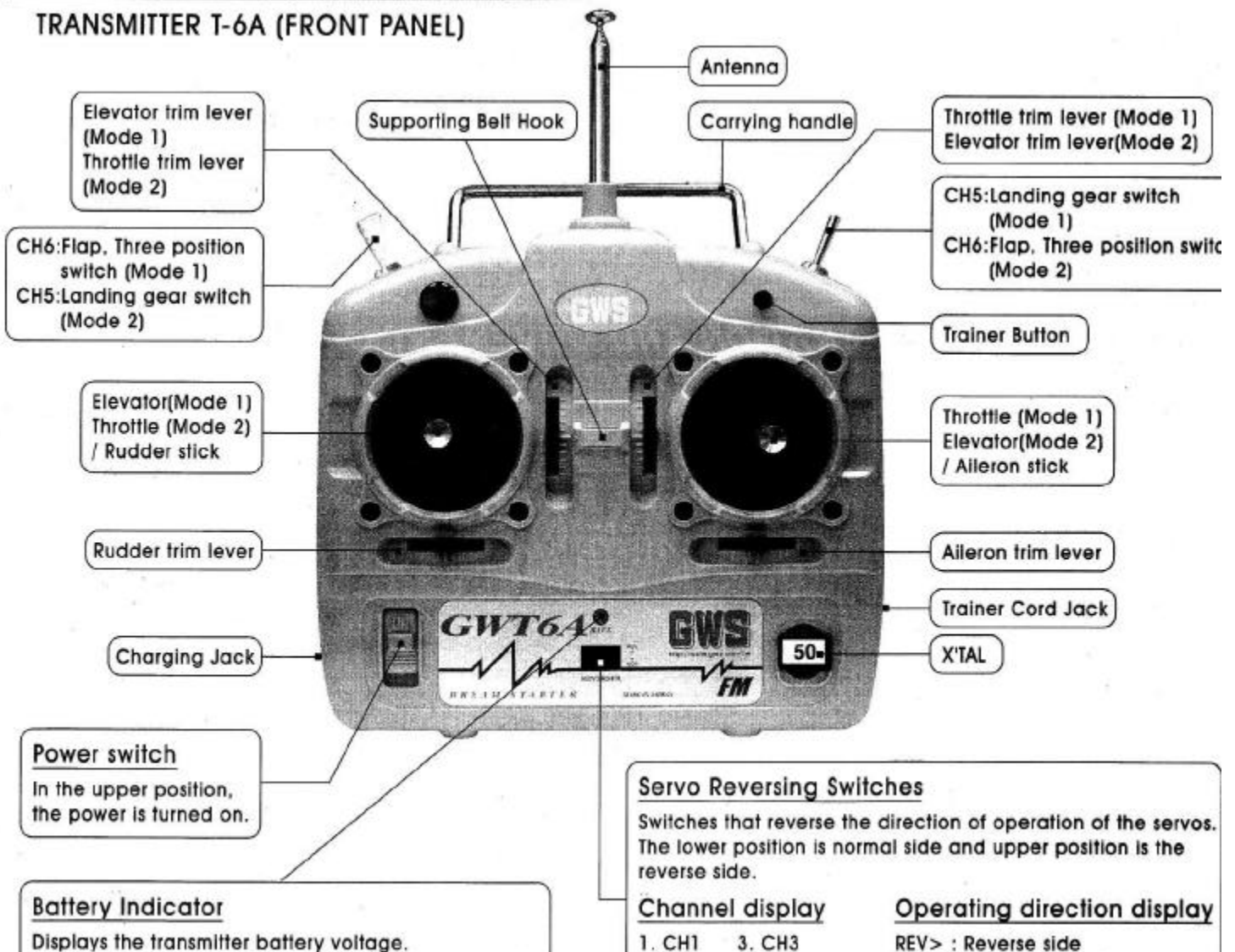
Power Source : 9.6V(1.2Vx8)550mAh(AAA)

Ni-MH Battery pack

Control Range : 1.5ms ± 0.5ms

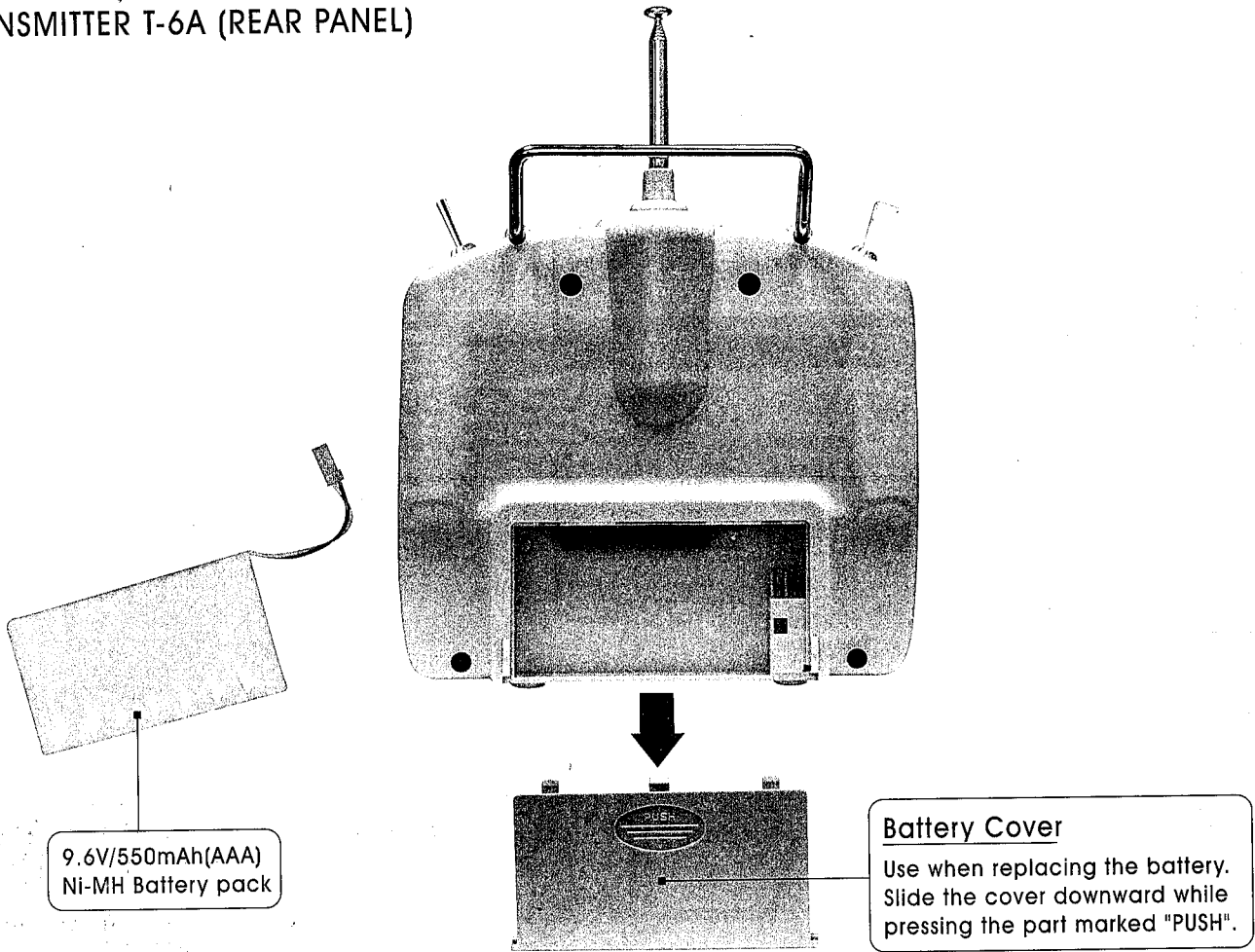
**3 TRANSMITTER LAYOUT:**

TRANSMITTER T-6A (FRONT PANEL)



**GWT-6A MANUAL**

**TRANSMITTER T-6A (REAR PANEL)**



**4 TRANSMITTER OPERATION AND MOVEMENT OF EACH SERV**

<p><b>1. Aileron</b></p> <p>(Viewed from the rear)</p>	<p><b>2. Elevator</b></p>
<p><b>3. Throttle</b></p> <p><b>High</b> Engine throttle lever moves to the high speed side.</p> <p><b>Low</b> Engine throttle lever moves to the low speed side.</p>	<p><b>4. Rudder</b></p>

## 5 TRAINER FUNCTION SYSTEM

The trainer function is a very effective way for training students. To use it, the special trainer cord (sold separately) is necessary.

1. Match the servo reversing and trims of both radios.
2. Turn on the power switch of instructor transmitter and extend the antenna to its full length.  
The student transmitter must be left off, then plug the trainer cord into both transmitters, the student transmitter power indicator will automatically turn on.
3. When the trainer switch is not pressed, the instructor has control, when the trainer switch is pressed, control is transferred to the student.

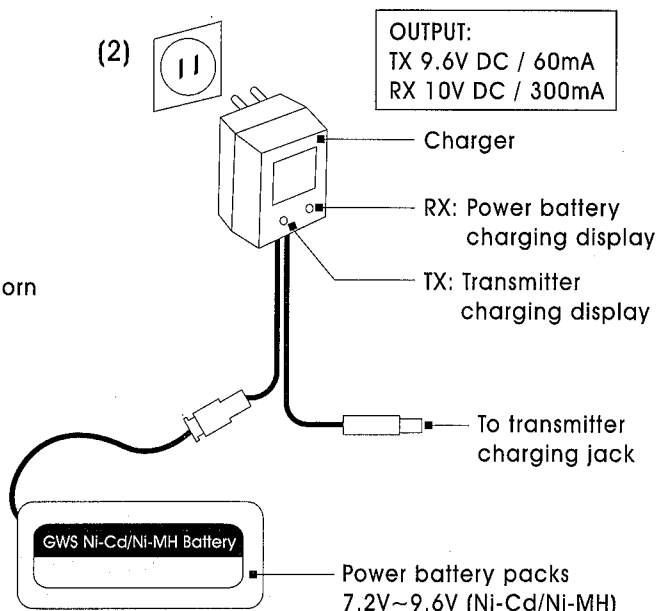
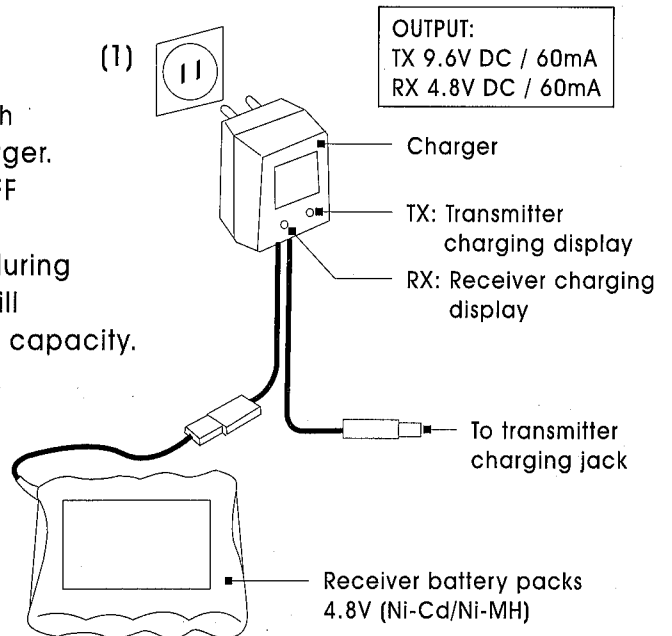
**⚠ Warning :** Never turn on the student transmitter power switch, it will cause interference and a crash.

## 6 CHARGING THE BATTERY

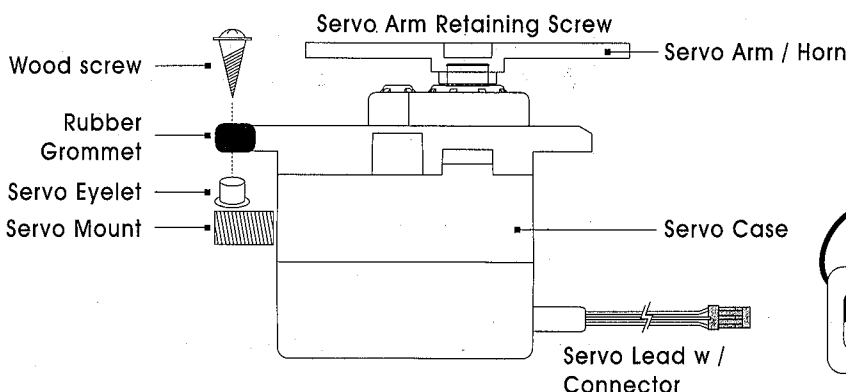
1. Your GWT-6A radio system is shipped from the factory with both the transmitter Ni-MH battery pack and wall charger. When charging the battery, place the switch in the OFF position.  
The LED on the battery charger should always be on during the charging operating. Under normal conditions, it will require approximately 15 hours to attain peak charge capacity.

2. Charger for the power battery  
Full charged time : TX 9.6V 10~15 hours  
Power battery 8.4V or 9.6V(750mAh) 1.5~2 hours

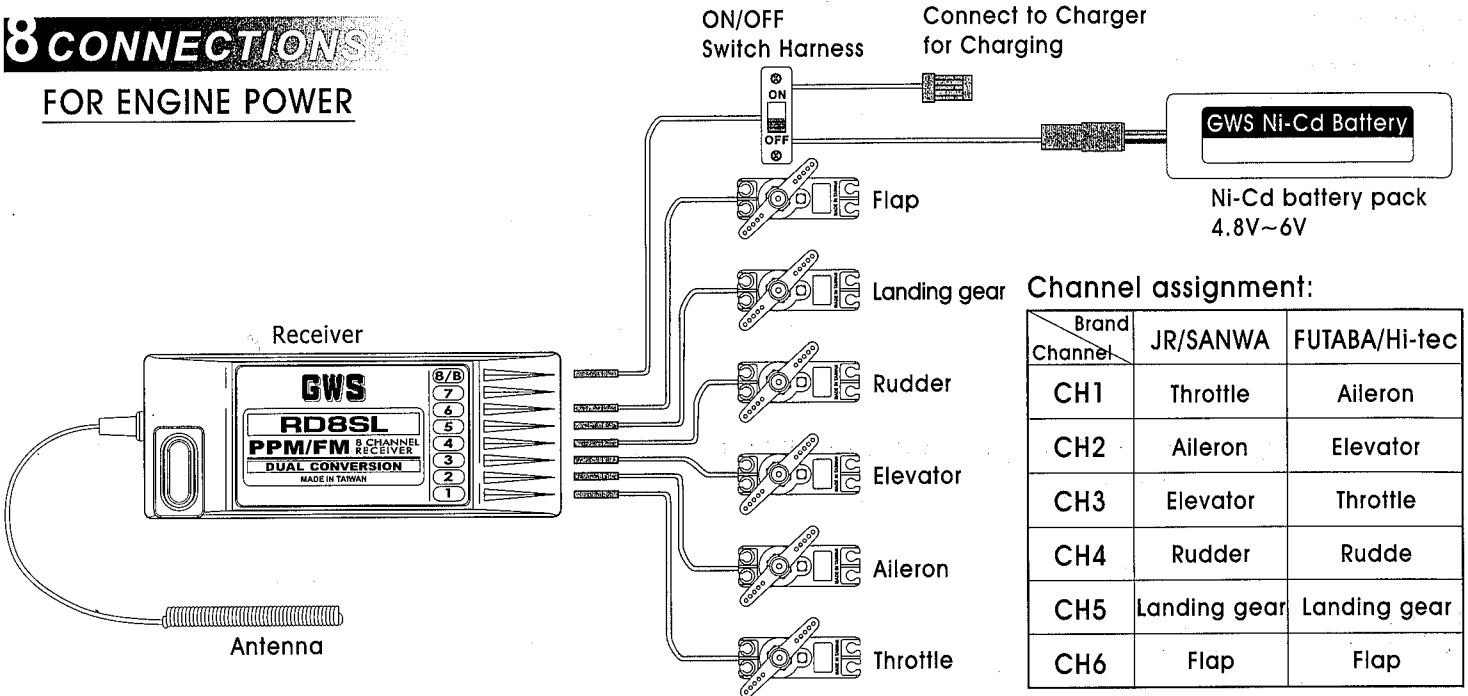
**⚠ Warning :** Do not use the charger for equipment other than GWS.



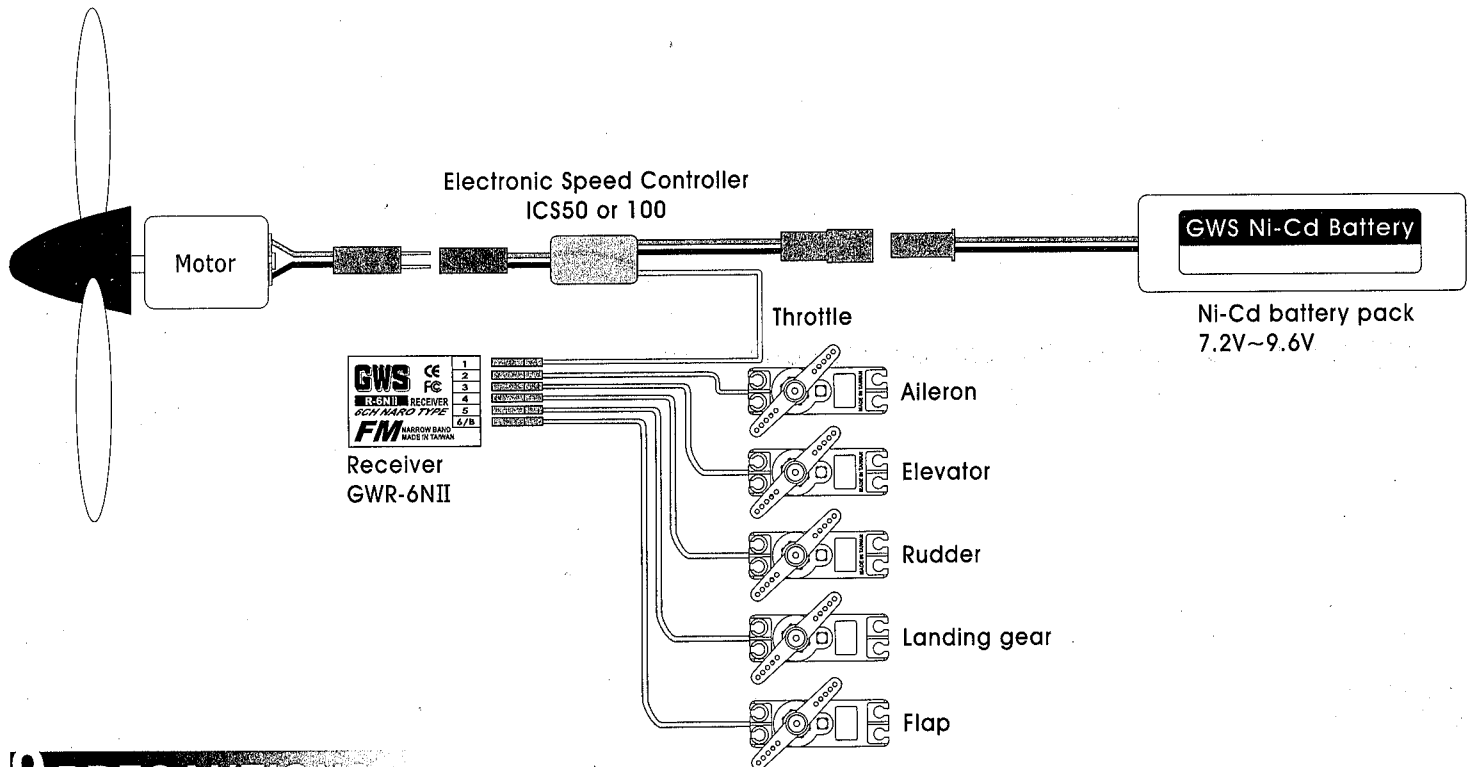
## SERVO INSTALLATION



## 8 CONNECTIONS FOR ENGINE POWER



## FOR ELECTRIC POWER



## 9 PRECAUTIONS

- Do not fly simultaneously on the same frequency.
- Extend the antenna to its full length, Always carry out a range check prior to flight.
- Always turn the transmitter on first, then the receiver. When you turn the system off, always turn the receiver off first then transmitter.

This step is very important always follow this procedure. If this procedure is not followed, injury to yourself and others as well as loss of control could occur.

**GWS** Grand Wing Servo-Tech Co., Ltd.  
<http://www.gws.com.tw>

153, Sec. 2, Datung Rd., Shijr City Taipei 221, Taiwan, R.O.C.  
TEL:886-2-8692-6255      FAX:886-2-8692-6842~3  
E-mail:taipei@gws.com.tw  
International Trade Inquiry:export@gws.com.tw

**Grand Wing System U.S.A. Inc.**  
**GWS USA, LLC.**

138 S. Brent Circle, City of Industry, CA 91789-3050  
TEL:909-594-GWS9(4979)      FAX:909-594-8051  
USA Inquiry:usa@gws.com.tw  
Worldwide After Service:service@gws.com.tw

## Federal Communication Commission Interference Statement

This equipment has been tested and found to comply with the limits for a Class B digital device, pursuant to Part 15 of the FCC Rules. These limits are designed to provide reasonable protection against harmful interference in a residential installation. This equipment generates, uses and can radiate radio frequency energy and, if not installed and used in accordance with the instructions, may cause harmful interference to radio communications. However, there is no guarantee that interference will not occur in a particular installation. If this equipment does cause harmful interference to radio or television reception, which can be determined by turning the equipment off and on, the user is encouraged to try to correct the interference by one of the following measures:

- Reorient or relocate the receiving antenna.
- Increase the separation between the equipment and receiver.
- Connect the equipment into an outlet on a circuit different from that to which the receiver is connected.
- Consult the dealer or an experienced radio/TV technician for help.

### WARNING

To assure continued compliance, (example -use only shielded interface cables when connecting to computer or peripheral devices) any changes or modifications not expressly approved by the party responsible for compliance could void the user's authority to operate this equipment.

This device complies with Part 15 of the FCC rules. Operation is subject to the following two conditions: (1) This device may not cause harmful interference, and (2) this device must accept any interference received, including interference that may cause undesired operation.

**GWS**

**GRAND WING SERVO-TECH CO., LTD.**

153, SEC. 2, DATUNG RD., SHIJR CITY,

TAIPEI 221, TAIWAN, R.O.C.

TEL: 886-2-8692-6255

FAX: 886-2-8692-6842