



Grandstream Networks, Inc.  

---

GXV3662 Series User Manual

## Safety Instructions

These instructions are intended to assist users with the operation of the GXV3662 and also to instruct on how to avoid dangerous situations or damage to the device.

**Warnings:** Serious injury or death may be caused if any of the warnings below are neglected.

**Cautions:** Injury or damage to the equipment may occur if any of the following caution messages are neglected.



**Warnings** Follow these safeguards to prevent serious injury or death.



**Cautions** Follow these precautions to prevent potential injury or material damage.



### Warnings:

Input voltage should meet both the SELV (Safety Extra Low Voltage) and the Limited Power Source with DC 12V according to the IEC60950-1 standard. Please refer to the technical specifications for more details.

Do not use a third-party power adapter or power cord

When the device is installed on the wall or ceiling, make sure that it is firmly attached.



### Notice :

Make sure that the power supply voltage is correct before using the camera.

Do not drop the device or expose it to physical shock.

Do not expose the device to temperatures outside the range of -10°C to +60°C when the device is in operation.

Do not expose the device to damp/wet conditions or high electromagnetism radiation.

To avoid heat accumulation, make sure that your operating environment has proper ventilation.

Do not attempt to open, disassemble, or modify the device

A few parts (e.g. electrolytic capacitor) of the equipment shall be replaced regularly according to their average life time. The average life time varies from the differences between operating environments and usage history. Regular maintenance checks are recommended for all users. Please contact your dealer for more details.

## Contents

Welcome.....	3
Package Contents.....	4
Product Overview.....	5
Minimum Recommended System Requirement.....	6
Connect your GXV3662 Series.....	6
Configuring the GXV3662 Series via Web Browser.....	7
Access GXV3662 Series Web Configuration Menu.....	7
Connect the Camera to DHCP server.....	7
Connect to the Camera using Static IP.....	8
GXV3662 Series Home Web Page.....	9
GXV3662 Series System Page.....	10
GXV3662 Series Video & Audio Page.....	11
GXV3662 Series Networking Page.....	12
GXV3662W Wifi Page – This page is only available for GXV3662W.....	13
GXV3662 Series DDNS Page.....	13
GXV3662 Series SIP Page.....	14
GXV3662 Series Status Page.....	16
GXV3662 Series User Management Page.....	17
GXV3662 Series Maintenance Page.....	17
GXV3662 Series SMTP Page.....	18
GXV3662 Series FTP Page.....	19
GXV3662 Series Motion Detection Page.....	21
GXV3662 Series System Log.....	22
FCC Warnings.....	23

## Welcome

The GXV3662 Series is a next generation IP dome camera for remote monitoring and surveillance over your LAN or internet.

The GXV3662 Series combines best in class IP video technology and SIP protocols for a robust IP surveillance solution. The product features H.264 video streams with up to 30 frames per second in full 720P, delivering rich image clarity at rapid transmission rates. Integrated SIP can pass alarms to the PSTN, mobile phones, SIP IP phones, SIP videophones and enables 2-way VoIP communication. The GXV3662 series support PoE.

The GXV3662 Series ensures ease of use, integration and deployment with a multilingual graphical user interface. The GXV3662 Series can be quickly installed and connected to your network and accessed from anywhere over the internet. Grandstream's flexible video management software enables users to monitor multiple environments in one easy to use application. The intuitive web interface lets users easily access, manage, view and record live video streams from the device.

The GXV3662 Series is a powerful solution for small to medium sized offices, homes and storage facilities looking to safeguard their valuables.

## Package Contents

### Items in the package:

- GXV3662 IP dome camera
- 12V DC power Adapter
- Mount Stand
- Ethernet Cable
- Quick installation guide

GXV3662 series includes 2 models: GXV3662\_HD and GXV3662\_HDIR.

The difference between GXV3662\_HD and GXV3662\_HDIR:

**GXV3662\_HD** : Do not support IR\_LED

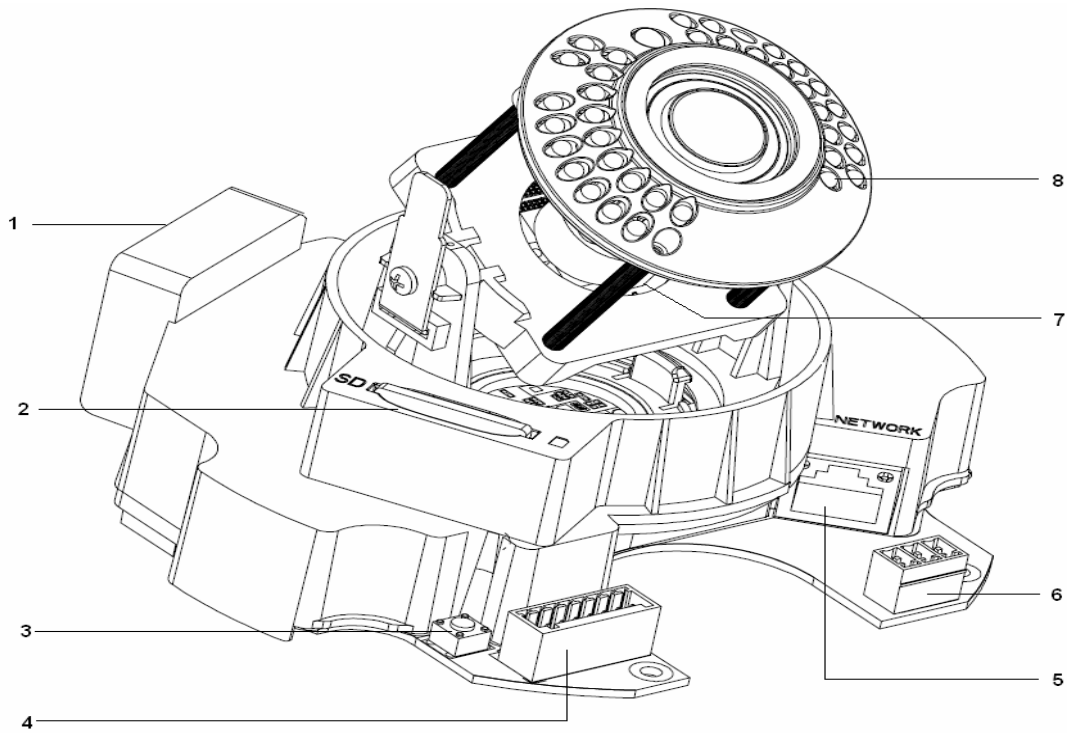
**GXV3662\_HDIR** : Support IR\_LED for low light environment.

## Product Overview

### GXV3662 Series Overview



### GXV3662 Inner view



### Physical Description:

- 1) Heater and Fan
- 2) SD card slot
- 3) Reset button
- 4) General I/O Terminal Block
- 5) Ethernet 10/100 RJ45 Plug
- 6) Power socket
- 7) lens
- 8) IR-LED ( GXV3662\_HDIR only )

## Installation Guide

### Minimum Recommended System Requirement

- Windows 2000 Server Professional, Windows XP, Windows Vista.
- CPU: Intel Pentium 4 or higher, 2 GHz.
- RAM: 1 GB (4 GB recommended for larger systems).
- Support for DirectX 8.0 and above.

### Connect your GXV3662 Series

#### Using the Power adapter as power supply

- Connect an RJ-45 cable to the NETWORK port of the GXV3662.
- Connect the other end of the RJ-45 cable to your network or PC.
- Connect the power supply to the DC 12V power jack on the back of the GXV3662.

**Using PoE as power supply:** Connect an RJ-45 to the NETWORK port of GXV3662.

**NOTE:** If you are going to connect the device to a hub/switch/router, please use a straight-through cable. A cross over cable should be used if you are going to connect the device directly to a PC.

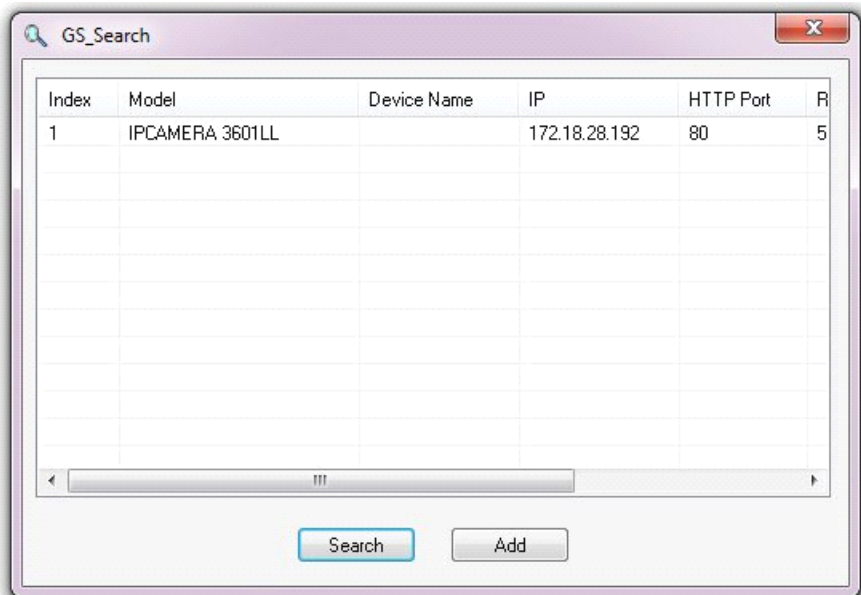
## Configuring the GXV3662 Series via Web Browser

The GXV3662's embedded Web server responds to HTTP/HTTPS GET/POST requests. Embedded HTML pages allow you to configure your IP dome camera through Microsoft Internet Explorer.

### Access GXV3662 Series Web Configuration Menu

#### Connect the Camera to DHCP server.

1. Navigate your browser to:  
[http://www.grandstream.com/support/gxv\\_series\\_surveillance/general/resources/gsearch.zip](http://www.grandstream.com/support/gxv_series_surveillance/general/resources/gsearch.zip)
2. Run the Grandstream **GS\_Search** tool, that you just downloaded.
3. Click on  button in order to begin device detection
4. The detected devices will appear in the Output field



5. Start Internet Explorer on your computer.
6. Enter device IP in the address bar of the browser.
7. Enter the administrator user name and password to access the Web Configuration Interface
8. The default user name and password are both set to **admin**.
9. IE will indicate that "This website wants to install the following add-on: 'GSViewerX.cab' from 'Grandstream Networks Inc'." Install this add-on by following the instructions in IE.
10. You will see the home page.



**Connect to the Camera using Static IP.**

If the camera does not get response from DHCP server after 3 minutes, it can be accessed by the default IP 192.168.1.168.

1. Connect your PC to the same network as the GXV3662.
2. Configure the IP address of your PC to: 192.168.1.XXX (1<XXX<255) and configure the subnet mask to 255.255.255.0.
3. Make sure that the device is turned on and connected to the network.
4. Start Internet Explorer on your computer.
5. Enter 192.168.1.168 in the address bar of the browser.
6. Enter the administrator user name and password to access the Web Configuration Interface
7. The default user name and password are both set to admin.
8. IE will indicate that "This website wants to install the following add-on: 'GSViewerX.cab' from 'Grandstream Networks Inc'." Install this add-on by following the instructions in IE.
9. You will see the home page.

## GXV3662 Series Home Web Page

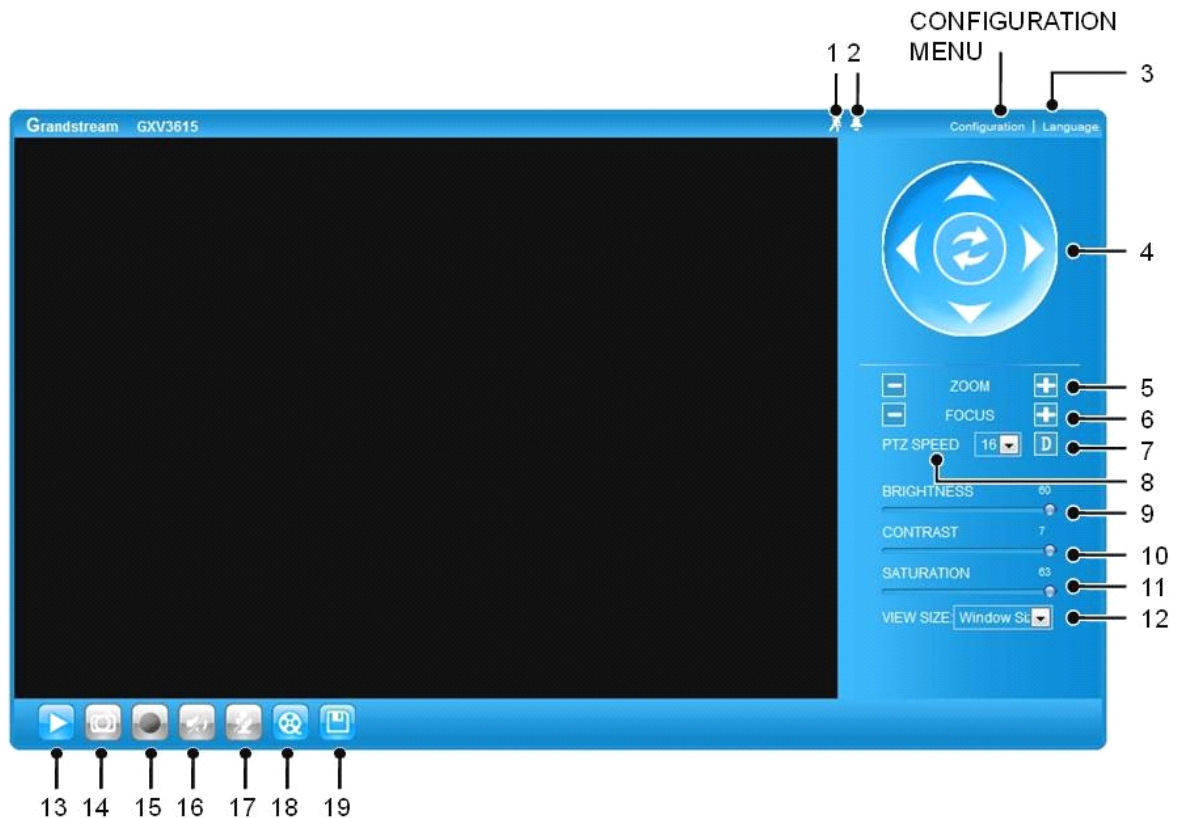


Figure1: Home web page of GXV3662

### Items on GXV3662 Home Page

- |           |                                |   |
|-----------|--------------------------------|---|
| <b>1</b>  | <b><i>Motion Detection</i></b> | If the motion detection alarm is triggered, the indicator will <b>flash red</b> . Click on the indicator to turn off the alarm. |
| <b>2</b>  | <b><i>Alarm Event</i></b>      | If an alarm event is triggered, the indicator will <b>flash red</b> . Click on the indicator to turn off the alarm.             |
| <b>3</b>  | <b><i>Language</i></b>         | Allow to switch between English and Chinese   |
| <b>4</b>  | <b><i>Control Console</i></b>  | PTZ Console controller. PTZ device needs to be connected.   |
| <b>5</b>  | <b><i>ZOOM</i></b>             | <b>NOTE.</b> GXV3662 does not support zoom  |
| <b>6</b>  | <b><i>FOCUS</i></b>            | Adjusts the focus of images.  |
| <b>7</b>  | <b><i>Default</i></b>          | Click this option to reset the video brightness, contrast, and saturation to their factory default configuration.               |
| <b>8</b>  | <b><i>SPEED</i></b>            | Adjusts the rotation speed of the console.  |
| <b>9</b>  | <b><i>BRIGHTNESS</i></b>       | Adjusts the image brightness.   |
| <b>10</b> | <b><i>CONTRAST</i></b>         | Adjusts the image contrast.   |
| <b>11</b> | <b><i>SATURATION</i></b>       | Adjusts the image saturation.   |
| <b>12</b> | <b><i>View Size</i></b>        | Resize the image to fit into the window panel in the home screen.   |
| <b>13</b> | <b><i>Play</i></b>             | Plays/Stops the video.  |

- 14 Capture** Captures the image displayed and saves it to **C:\IGS\_Capture** (default directory).
- 15 Record** Records the video and saves it to **C:\IGS\_Record** (default directory).
- 16 Sound Off/On** Toggles the sound On or Off.
- 17 Talk** Establishes two-way audio.
- 18 Playback** Replays the saved video.
- 19 Config** Configures the Save Location for captured images and recorded videos.

## GXV3662 Series System Page

This page allows you to configure the system settings on GXV3662.

**Current System Time** - displays the current date and time (24h clock).

**Current System Time**

Date:

Time:

### Set the System Time

#### Update via NTP Server

- the camera will obtain the time from an NTP server Specify the NTP server's IP address or host name. And you can select your time zone

**Set the System Time**

Time Zone:

Update via NTP Server

Synchronize with Local Computer

Set the Time Manually

Keep Current Date and Time

from the drop-down list or define your own time zone setting.

**NOTE:** If using a host name for the NTP server, a DNS server must be configured under **Basic Settings -> Networking**.

**Synchronize with Local Computer** - sets the time from the clock on your computer.

**Set the Time Manually** - this option allows you to manually set the time and date.

**OSD Date Format** - set the format of date on OSD

**OSD Date Format**

OSD Date Format:

**Device Name Setting** -This field lets you configure the name of the GXV3662, which helps

**Device Name Setting**

Device Name:

GSurf and GS\_NVR to identify the device when using **GS\_Search** to search all the

Grandstream network cameras or digit video cameras in the same subnet.

## GXV3662 Series Video & Audio Page

### On Screen Display (OSD) Settings

**OSD Time/ Text** – The time stamp and channel name displayed on the screen.

**On Screen Display(OSD)**

OSD Text:

OSD Position:

OSD Transparency:

OSD Color:

Display Time:

Display Text:

### Video Settings

**Preferred Video Codec** – The GXV3662 supports the H.264 video codec.

**Resolution** – The higher the resolution is, the better the video quality is, and higher bandwidth is required.

Low -----> High Resolution  
 QCIF    CIF    2CIF    D1

**Bit Rate** – The number of bits that are conveyed or processed per unit of time.

**Maximum Frame Rate** – The video frame rate is adjustable based on network conditions. *Increasing the frame rate will increase the amount of data significantly therefore consuming more bandwidth.* Video will be impaired due to packet loss when there is insufficient bandwidth.

**Bit Rate Control** – Variable Bit rate (VBR) and Constant Bit Rate (CBR).

**Variable Bit Rate** - If VBR is selected, the codec varies the amount of output data per time segment. VBR produces a better quality-to-space ratio. The bits available are used to enable more flexibly and encode sound or video data more accurately, with fewer bits used in less demanding passages and more bits used in difficult-to-encode passages.

**Constant Bit Rate** - If CBR is selected, the codec's output data is constant regardless of the input data. The output bit rate is defined in "Bit rate". CBR is useful for streaming multimedia content on limited capacity channels. It is easier to calculate required bandwidth as well as the required storage space using CBR.

**I-frame Interval** – While streaming video over a network, compression technologies are used

**Video Settings**

Preferred Video Codec:

Resolution:

Bit Rate:  kbps

Maximum Frame Rate:  fps

Bit Rate Control:  CBR  VBR

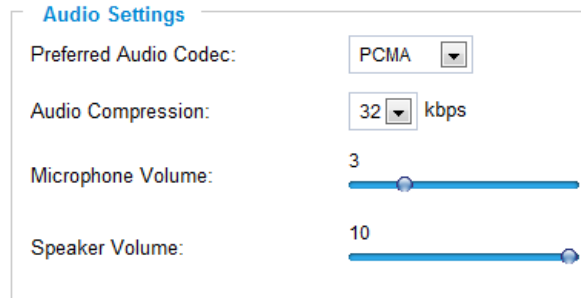
I-frame Interval:  Frame(1-100)

to show the incremental difference between each frame. I-frames are used to help keep the video looking normal. When intervals are shorter, the video quality is higher but uses more bandwidth.

**NOTE:** The users might need to configure the **Primary Stream** and **Secondary Stream** properly. Sometimes, the user might like to watch the live video stream from the web GUI in low resolution mode while recording a copy via GSurf/GS\_NVR in high resolution due to the limitation of internet bandwidth. In this case, for example, primary stream can be configured to have better resolution, and then the users can use primary stream to record while watching secondary video streams.

### Audio Settings

**Preferred Audio Codec** – The GXV3662 supports up to 3 different Vocoder types, a-law (PCMA), u-law (PCMU) and G.726. The audio can also be turned off by switching the setting to “Disabled”



**Audio Compression** – Audio compression is a form of data compression designed to reduce the size

of audio files. Usually, the higher the audio compression is, the better the audio quality is.

**Microphone Volume** – Adjust the volume of build-in microphone.

**Speaker Volume** – Adjust the volume of build-in speaker.

### GXV3662 Series Networking Page – Assign an IP to GXV3662

GXV3662 supports IP version 4. The IP address can set automatically via DHCP, or a static IP address can be set manually. To make GXV3662 work properly, the user needs to set the DNS configuration properly. For security purposes, the user can also assign the GXV3662 an HTTP Port other than 80.

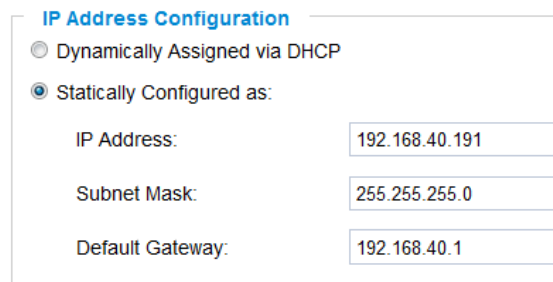
### IP Address Configuration

The GXV3662 operates in two modes:

**Dynamically Assigned via DHCP** – all the field values for the Static IP mode are not used.

The GXV3662 acquires its IP address from the first DHCP server it discovers on its LAN.

**Statically Configured as** – configures all of the following fields: IP address, Subnet Mask, Default Gateway IP address, DNS Server 1 (primary), DNS Server 2 (secondary). These fields are set to zero by default. *Static IP*



addresses are recommended for the GXV3662

### DNS Configuration

There are two methods of DNS configuration on the GXV3662:

1. The GXV3662 can obtain the DNS server automatically
2. Users can configure their own preferred DNS server

### HTTP Port

The GXV3662 supports user configured http ports. If the HTTP port is changed, the port number is needed to access the web GUI, for instance: <http://192.168.1.168:8080>.

**NOTE:** If the HTTP Port is 80, when you add this device to GSurf or GS\_NVR, the RTSP port is 554. If the HTTP Port is changed, when you add this device to GSurf or GS\_NVR, please make sure the RTSP port number equals HTTP Port plus 2000.

### GXV3662W Wifi Page – This page is only available for GXV3662W

**Enable Wifi** – Checked to enable Wifi  
**SSID** – Click on Scan to view available network. Choose a network and Click on Select to confirm.

**Security Mode** – Choose associated Security mode.

### GXV3662 Series DDNS Page

Dynamic DNS provides devices that have a variable, often changing IP address with a well known hostname resolvable by network applications through standard DNS queries.

#### Set up DDNS

1. Apply for a domain name from your service provider.
2. Login to the web configuration page, click **Basic Settings > DDNS**.

3. Enter the required information  
**DDNS Active** – If you want to use DDNS, please set this field to “Enabled” .

**DDNS ISP Type** – Select your DDNS ISP Type.

**Self-Define DDNS Address** – Self-define the DDNS server instead of using DDNS ISP Type.

**Site Name** – The DDNS name for your device.

**DDNS Account/ DDNS Password** – The account and password from the DDNS Provider.

**STUN Server** – If the device is behind a router, a STUN server is needed to help penetrate the NAT.

4. Click **Save** to save the changes. You might need to reboot the device to apply all the changes.

## GXV3662 Series SIP Page

The GXV3662 has the ability to receive phone calls and make phone calls when an alarm event is triggered through motion detection or alarm input. Register the GXV3662 to a SIP server to enable the product to make and receive phone calls. To make outgoing phone calls out, the user needs to configure the **Phone List** properly.

### Register GXV3662 to a SIP Server

1. From the GXV3662 home page, click **Basic Settings > SIP**.
2. Go to **SIP Settings** Tab.
3. General Phone Settings.

**Registered** – The field shows the registration status of the account with the SIP server.

**Unregister On Reboot** – If it’s checked, the SIP user’s registration information will be cleared from the server when the phone reboots.

4. Enter the required information.

**Account Name** – The field configures the SIP account name.

**SIP Server** – The SIP Server’s IP address or Domain name provided by your service provider.

**Outbound Proxy** – The IP address or Domain name of the Outbound Proxy, Media Gateway, or Session Border Controller. Used for firewall or NAT penetration in different network environments. If the system detects a symmetric NAT, STUN will not work. ONLY outbound proxies can provide a solution for a symmetric NAT.

**SIP User ID** – User account information provided by your service provider (ITSP); this is either an actual phone number or is formatted like one.

**Authenticate ID** – The SIP service subscriber's Authenticate ID used for authentication. It can be identical to or different from the SIP User ID.

**Authenticate Password** – The SIP service subscriber's account password for the GXV to register to the SIP server of the ITSP.

**STUN Server** – If the device is behind a router, a STUN server is needed to help penetrate the NAT.

**Stream** – To choose between Primary and Secondary stream.

**Preferred Vocoder** – To choose different Vocoder type.

**Registration Expiration** – This parameter allows users to specify the time frequency (in minutes) in which the GXV refreshes its registration with the specified registrar. The default interval is 60 minutes.

**Local SIP Port** – This parameter defines the local SIP port used to listen and transmit. The default value is 5060.

**Local RTP Port** – This parameter defines the local RTP-RTCP port pair that is used to listen and transmit. The default value is 5004.

5. Click **Save** to save all the changes. You need to restart the device to apply all changes.

**SIP Settings**

Account Name:

SIP Server:

Outbound Proxy:

SIP User ID:

Authenticate ID:

Authenticate Password:

STUN Server:

Stream:

Preferred Vocoder:

Register Expiration(Second):

local SIP Port:

local RTP Port:

Note: You must restart the device to apply the changes.

## Configure **Phone List**

To make sure the GXV3662 can make phone calls to the number you preferred when alarm is triggered. You need to add number to the phone list.

Steps to add phone number:

1. From the GXV3662 home page, click **Basic Settings > SIP**.
2. Go to **Phone List** Tab.
3. Enter the **Phone number** and **name**, click **Add a Number to** save all the changes.
4. Numbers added to the system will be listed in this page.



**Phone List**

Phone Number	Remark Name	Remove
<input style="width: 100%;" type="text"/>	<input style="width: 100%;" type="text"/>	<input type="button" value="Add"/>
123456789	John Smith	<input type="checkbox"/>
	<input type="checkbox"/> Check All	<input type="button" value="Remove"/>

Note: You must restart the device to apply the changes.

Available phone numbers

**NOTE:** With current firmware, only the first phone number in the list will be called when an alarm is triggered.

## GXV3662 Series Status Page

### System Statistics

System Statistics lists hardware and software information, for example, the part number, the software version, about the GXV3662.

**Hardware Version** – This field contains the product’s hardware information.

**Part Number** – This field contains the product part number information.

**Bootloader Version** – Bootloader code version number.

**Core Version** – Core code version number.

**Base Version** – Base code version number.

**Firmware Version** – Firmware code version number.

**System Up Time Since** – This field shows the system up time since the last reboot.

System Statistics	
Product Model:	GXV3615
Hardware Version:	V0.2A
Part Number:	9670001702A
Bootloader Version:	1.0.0.0
Core Version:	1.0.4.2
Base Version:	1.0.4.8
Firmware Version:	1.0.4.8
System Up Time Since:	3 minutes

### Network Status

**MAC Address** – The device ID, in HEXADECIMAL format.

**LAN IP Address** – This field shows the LAN IP address of the GXV3662.

**LAN Subnet Mask** – This field shows the LAN subnet mask of the GXV3662.

**LAN Default Gateway** – This field shows the

Network Status	
MAC Address:	00:0B:82:1F:96:E9
LAN IP Address:	192.168.40.191
LAN Subnet Mask:	255.255.255.0
LAN Default Gateway:	192.168.40.1
DDNS Status:	Disabled
Wifi Status:	Disconnected

LAN default gateway of the GXV3662.

**DDNS Status** – This field shows the status of DDNS.

### Camera Type

This section shows the Lens information of GXV3662. The Lens type information contains the brand name, the size of image sensor, the resolution and so on.

**Camera Type**

Camera Type: Aptina, MT9V136 Pixels 680\*512

### GXV3662 Series User Management Page

All current users will be list in the User List section of this page. You can also add and remove users here.

**Existing User Name** –The field lists all of the current users. You can insert or remove users from the list by click on the **Add** or **Update** or **Delete** button.

**Manage User**

Existing User Name: --Add New User--

User Name:

User Password:  ⓘ

Confirm User Password:

Privilege: Administrator

Allow Anonymous Viewing:

**User Name / Password** – The user name and password required to login.

**Privilege** – The privilege for the user to access to configuration page.

**Allow Anonymous Login** – If ‘Allow Anonymous Login’ is set to Yes, no user name and password are required to login to the GXV3662 web configuration pages. If you login anonymously, you will not be able to change any settings.

### GXV3662 Series Maintenance Page

#### Server Maintenance

**Restart** – Click this button to restart the GXV3662.

**Restart the device**

Restart the device.

**Restore** – Click this button to perform a partial factory reset (The IP address will not be cleared) .

**Restore the device**

Reset settings, except IP address, to factory default.

## Firmware Upgrade and Provisioning Items

**Upgrade via** – This field lets you choose the firmware upgrade method. The GXV3662 supports HTTP, HTTPS and TFTP.

**Firmware Server Path** – The IP address or domain name of the firmware server (the location of the firmware files) .

**Automatic Upgrade Interval** – Enter the frequency (in minutes) in which the HTTP/HTTPS/TFTP server will be checked for new firmware upgrades or configuration changes.

**Automatic Upgrade** – The default setting is “No.” Choose “Yes” to enable automatic HTTP/HTTPS/TFTP upgrade and provisioning. When set to “No”, the IP dome camera will only perform a HTTP/HTTPS/TFTP upgrade and perform a configuration check once during the boot process.

**Firmware Upgrade and Provisioning**

Upgrade via:

Firmware Server Path:

Automatic Upgrade Interval(Minutes):

Automatic Upgrade:

### Performing a firmware upgrade:

1. Download the firmware package from <http://www.grandstream.com/firmware.html>.
2. Unzip the firmware package and copy the files to the firmware upgrade server directory.  
Upgrades are supported via TFTP, HTTP and HTTPS.
3. Log in to the **Maintenance page** of the GXV3662. Select the server type from the dropdown list under the “Upgrade Via” field. Enter your server’s root directory in the “Firmware Server Path” field.
4. Reboot the GXV3662 to begin the firmware upgrade process.

## GXV3662 Series SMTP Page

The SMTP server is used to send out emails when an alarm event or motion detection is triggered. The SMTP settings must be configured to make sure the alarm email is sent out properly.

### SMTP Server Settings

**Enable SMTP** – Checked to enable SMTP

**SMTP Server** – The IP or hostname of the SMTP server, for example, smtp.gmail.com.

**SMTP Server Port** – The port of the SMTP server. The GXV3662 supports port 25 and SSL port 465,

**SMTP Server Settings**

Enable SMTP:

SMTP Server:

SMTP Server Port:

From E-Mail address:

To E-Mail address 1:

To E-Mail address 2:

To E-Mail address 3:

User Name:

Password:

SSL:  ⓘ

<sup>1</sup> Required Fields.  
<sup>2</sup> Valid DNS server is required for hostname.

which is for SMTP with an encrypted connection.

**From E-Mail Address** – The email address that sends out the alarm email(s).

**To E-Mail Address** – The email addresses that the alarm email(s) will be sent to. You can have up to 3 emails configured.

**User Name/ Password** – The user name and password required to log in to your SMTP server, for example, 123@gmail.com/123.

**SSL** – Checked if the SMTP server requires a secure connection.

**Test Email Account Settings** – Click the Test button to send a test email from the *From E-Mail* to the *To E-Mail* to make sure that SMTP is configured properly. If the receiver can get the test email, then the SMTP settings are ready to go.

## GXV3662 Series FTP Page

The FTP server is used to store video files if you configure the GXV3662 to record video and upload it to the FTP server when an alarm event or motion detection is triggered.

### FTP Settings

**Enable FTP** – The default setting is “No,” if you want the GXV3662 to upload the recorded video to the FTP server when an alarm is triggered, set this field to “Yes.”

**FTP Server** – The IP address or hostname of the SMTP server, ie. ftp.myserver.com.

**FTP Server Port** – The port that your FTP server is using.

**User Name / Password** – The user name and password required to log into your FTP server

**Path** – The directory in the FTP server where recorded video will be uploaded.

**Test FTP Account Settings** – Click the Test button to upload a sample file to make sure that FTP is properly configured.

**FTP Settings**

Enable FTP:

FTP Server:

FTP Server Port:

User Name:

Password:

Path:

Valid DNS server is required for hostname.

## GXV3662 Series Motion Detection Page

The GXV3662 supports Motion Detection. To utilize this feature, please follow the below steps:

1. Setup the motion detection monitored area.
2. Configure the motion detection time schedule.
3. Configure alarm action properly.

## Setup Motion Detection Monitored Area

**Enable Motion Detection** – If this option is selected, motion detection will be enabled. If something/somebody moves in the motion detection region, an alarm will be triggered.

**Show Motion Detection Regions** – If this option is selected, the motion detection regions will be displayed on the screen with a white border.

The white border for Motion Detection Regions



**NOTE:** If **Upload to Alarm center** is checked for **Alarm Actions**, the white border will **flash red** when a motion detection alarm is triggered.

### To Edit a Monitored Area

1. In the **Select a Region** dropdown list, select the region ID.
2. Click **Edit**.
3. Click on the video, drag and draw your preferred area.
4. Set the Sensitivity. Click the **Save** button to save the sensitivity.

**NOTE:** The Sensitivity value varies from 0 to 100. The larger the value is, the higher the sensitivity.

5. Click **Save** to save the settings.

**Motion Detection Region Settings**

Enable Motion Detection

Show Motion Detection Regions

0  Select a Region

50 Sensitivity

Button to save sensitivity only

### To Remove a Monitored Area

1. In the **Select a Region** dropdown list, select the region you would like to remove.
2. Click **Remove**.
3. Click **Save** to save the changes.

## Configure Motion Detection & Alarm Actions

An alarm action is what the GXV3662 is going to do when an alarm is triggered during the defined time period – the time schedule. The GXV3662 allows

**Alarm Action**

Record Video From Pre Alarm 0 seconds to After Alarm 10 seconds

Voice Alarm to SIP Phone

Alarm Output

Upload to Alarm Center

Email JPEG and Store it to USB card or SD drive

multiple alarm actions.

### Configure Motion Detection Time Schedule

This section allows you to configure the time during which the GXV3662 will monitor the motion detection. The GXV3662 not only can monitor your settings but also can take actions when the alarm is triggered.

Monitored region      Dropdown list for date      Available time schedules

Region ID	Date	Start Time	End Time	
3	Thursday	00:00	23:59	<input type="button" value="Add"/>
0	Monday	00:00	23:59	<input type="checkbox"/>
1	Tuesday	00:00	23:59	<input type="checkbox"/>
3	Thursday	00:00	23:59	<input type="checkbox"/>

Check All     

### GXV3662 Series System Log

This page is used to set up the system log server path and system log level. Once they are correctly configured, the device will send out system log messages to the system log server, which will help perform troubleshooting.

**Syslog Server** – The IP address or URL of System log server.

**Syslog Level** – Select the device to report the log level. Default is None. The level is one of Debug, Info, Warning or Error.

**SystemLog Settings**

Syslog Server:

Syslog Level:  (dropdown menu open with options: None, Debug, Info, Warning, Error)

## FCC Warnings

This device complies with part 15 of the FCC Rules. Operation is subject to the following two conditions:

- (1) This device may not cause harmful interference, and
- (2) this device must accept any interference received, including interference that may cause undesired operation.

Changes or modifications not expressly approved by the party responsible for compliance could void the user's authority to operate the equipment.

This equipment has been tested and found to comply with the limits for a Class B digital device, pursuant to part 15 of the FCC Rules. These limits are designed to provide reasonable protection against harmful interference in a residential installation. This equipment generates uses and can radiate radio frequency energy and, if not installed and used in accordance with the instructions, may cause harmful interference to radio communications. However, there is no guarantee that interference will not occur in a particular installation. If this equipment does cause harmful interference to radio or television reception, which can be determined by turning the equipment off and on, the user is encouraged to try to correct the interference by one or more of the following measures:

- Reorient or relocate the receiving antenna.
- Increase the separation between the equipment and receiver.
- Connect the equipment into an outlet on a circuit different from that to which the receiver is connected.
- Consult the dealer or an experienced radio/TV technician for help.