

User Manual

Product Name: 4G smartphone

Model:F25,F25+

Manufacture: Shenzhen Grand Time Technology Co.,Ltd

Walkie Talkie User Manual

Read the manual book carefully before using the product.

Notice before use :

- Maintenance can only be carried out by professional technicians, do not dismount by yourself.
- Do not use or charge the unit in explosive environment (like gas, dust and steam)
- Please turn off the unit when refuel or park in the gas station
- Do not refit or regulate the unit for whatever reason.
- Do not let the unit be exposed under the sun for long time, or put it near to the heating appliances.
- Do not put the unit in extreme dusty, wet, splashed places or unstable surfaces.

Safety Guide:

It's very important for the users to know about the danger of the unit.

Accessories:



1. Antenna (1 Pcs)



2. Li-ion Battery pack (1 Pcs)



3. Back Splint (1 Pcs)



4. Adaptor (1Pcs)



5. Manual Book (1 Pcs)

1. Put the battery pack bottom targeted on the bottom of the unit.
2. Push the battery pack downwards slightly until the battery latched on.

1. Push the latch upwards when taking off the battery pack.

2. Take the battery pack out by pulling it upwards.

Antenna Installation:

Hold the bottom of the antenna; screw it into the unit clockwise tightly.

Notice: Do not hang the keychain on the antenna, it will cause damage to the antenna and degrade the performance.

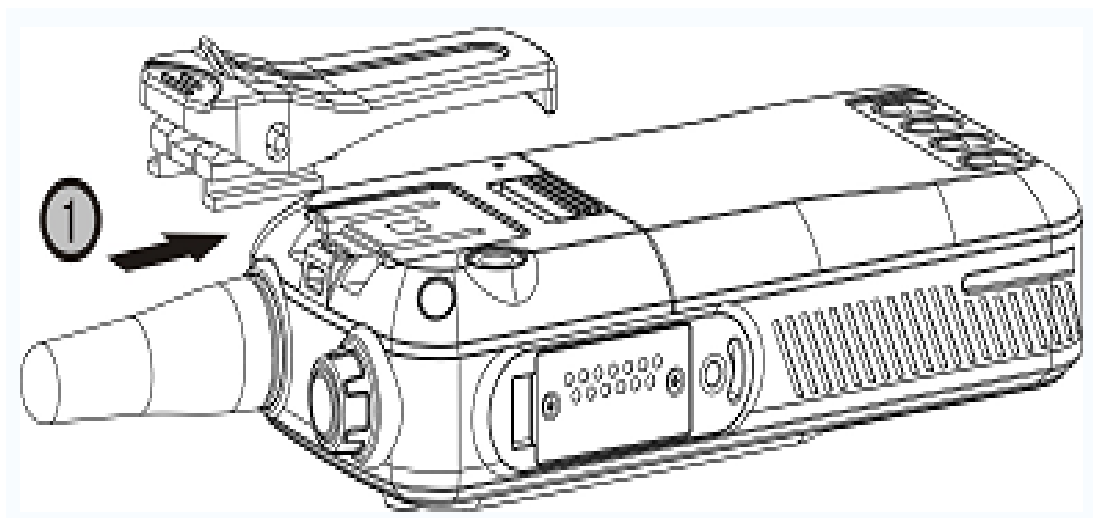
Back Splint Installation:

Put the back splint onto the slot above the battery compartment if necessary.

This will make it easier to carry.

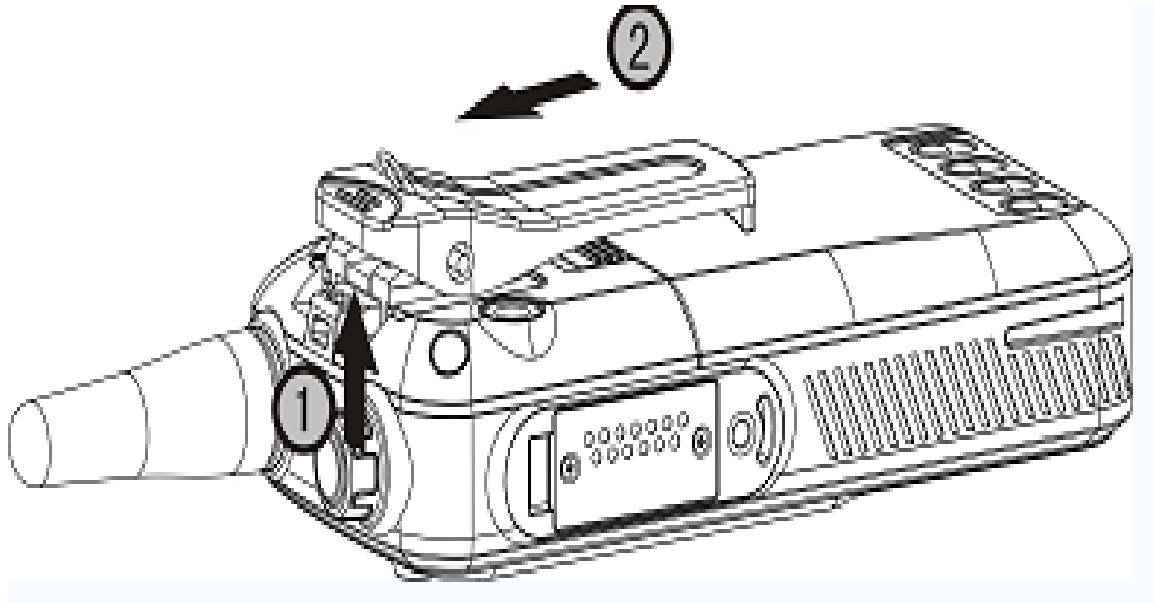
Notice:

◆ Take the battery off the unit; focus the latch groove of the back splint on the mounting rail above the battery compartment. Slide the back splint downwards until built-in.



◆ Take the battery pack off before taking off the back hook, then press

the dismounting steel disc of the back hook until loosen, at last push the back hook upwards and take it off.



Meet Your Phone



The Basics

● First starting up

Ensure the battery was laid properly. Turn On: Press hang up key until animation on.

Some SIM card may have PIN code protection, initial pin code password is 1234.

● Screen Unlock

Short press the hang up key to lock the screen, short press it again will wake the screen up. Slide the unlock icon to any direction, it will enter standby interface.

● Personalized Setting.

Long press the blank space on main screen can enter the personalized setting interface. In personalized setting interface can set wallpaper, add widgets and set the system.

● Remove and delete the icons

Long press the menu or widget icon in the screen can remove or delete the icon accordingly.

● Restore the factory settings

In setting menu, choose “backup & reset” can restore the factory settings. Warning: Restore the factory settings will reset the phone back to initial factory default. I.E.: Clean the system, application data and settings including the downloaded application.

Functional Menu

● Videos

Watch the record or downloaded videos, change or share the video files as well.

● Music

Click to enter the music interface. It provides you artist, albums, songs and playlists four kinds of arrangement modes to choose. Click the song name to play.

● Gallery

View the pictures, photos and video file. Click the camera icon can enter camera mode.

● Camera

Take pictures, videos, can adjust the light, color etc. Also can set according to individual like or shooting environment for the best use.

● Messaging

Click to enter message interface, it shows the list of received messages. Can edit, send or delete the messages.

● Dial

Make a call. The menu options under the screen can allow you to visit the call history, dial pad and setting.

● People

You can call you friends added on the list. Can also send email or send messages.

● File manager

View and manage the files stored in local or SD card.

● Calculator

Can do the simple arithmetic and various kinds of mathematics calculation.

● Settings

Enter menu and set the unit personally. It includes Wireless & Network, Audio profiles, Display, Storage, Battery, Apps, Location, Security, Language & input, Backup & reset, Add account, Date & time, Accessibility, Printing, About phone etc.

Key Explanation



Right Soft Key: Long press (5s) back to main menu; Short press to exit



Right Power Key: Long press (3s) to turn off; short press to standby



Left Soft Key: Function Menu options



Left Dial Pad: Enter dial pad interface.



Direction Key: Up/Down/Left/Right option



OK Key: Long press to unlock, short press to confirm



* Key: Switch the input method



Number 1 Key: Punctuations



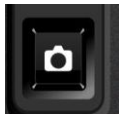
Volume Key: Clockwise to turn up; anti-clockwise to turn down.



SOS emergency call: Long press to enter emergency call (Need the third party APK software to cooperate.)



Integration Scheduling Key: Short press to enter integration scheduling, long press for 5s, there will be a systematic warning, after that you can talk to everybody online.



Camera Key: Short press to enter camera, long press for 3s switch to front camera shooting. Press again to stop recording. (Need to put TF card before use.)

FCC Warning

This device complies with part 15 of the FCC Rules. Operation is subject to the following two conditions: (1) This device may not cause harmful interference, and (2) this device must accept any interference received, including interference that may cause undesired operation.

Any Changes or modifications not expressly approved by the party responsible for compliance could void the user's authority to operate the equipment.

Note: This equipment has been tested and found to comply with the limits for a Class B digital device, pursuant to part 15 of the FCC Rules. These limits are designed to provide reasonable protection against harmful interference in a residential installation. This equipment generates uses and can radiate radio frequency energy and, if not installed and used in accordance with the instructions, may cause harmful interference to radio communications. However, there is no guarantee that interference will not occur in a particular installation. If this equipment does cause harmful interference to radio or television reception, which can be determined by turning the equipment off and on, the user is encouraged to try to correct the interference by one or more of the following measures:

- ▶ -Reorient or relocate the receiving antenna.
- ▶ -Increase the separation between the equipment and receiver.
- ▶ -Connect the equipment into an outlet on a circuit different from that to which the receiver is connected.
- ▶ -Consult the dealer or an experienced radio/TV technician for help.

Specific Absorption Rate (SAR) information:

This 4G smartphone meets the government's requirements for exposure to radio waves. The guidelines are based on standards that were developed by independent scientific organizations through periodic and thorough evaluation of scientific studies. The standards include a substantial safety margin designed to assure the safety of all persons regardless of age or health.

FCC RF Exposure Information and Statement

The SAR limit of USA (FCC) is 1.6 W/kg averaged over one gram of tissue. Device types: 4G smartphone (FCC ID: 2AM6PF25) has also been tested against this SAR limit. The highest SAR value reported under this standard during product certification for use at the ear is 0.961W/kg and when properly worn on the body is 0.781W/kg. the Hotspot SAR value is 0.781W/kg, the simultaneous transmission SAR value is 1.037W/kg on the head and 1.065W/ kg on the body. This device was tested for typical body-worn operations with the back of the handset kept 10mm from the body. To maintain compliance with FCC RF exposure requirements, use accessories that maintain a 10mm separation distance between the user's body and the back of the handset. The use of belt clips, holsters and similar accessories should not contain metallic components in its assembly. The use of accessories that do not satisfy these requirements may not comply with FCC RF exposure requirements, and should be avoided.

Body-worn Operation

This device was tested for typical body-worn operations. To comply with RF exposure requirements, a minimum separation distance of 10mm must be maintained between the user's body and the handset, including the antenna. Third-party belt-clips, holsters, and similar accessories used by this device should not contain any metallic components. Body-worn accessories that do not meet these requirements may not comply with RF exposure requirements and should be avoided. Use only the supplied or an approved antenna.