



# ZT

## Parts Manual

---



### Models

**915146 – ZT 34**

Serial No. 010000 and up

**915148 – ZT 42**

Serial No. 010000 and up

**915150 – ZT 50**

Serial No. 010000 and up

**915168 – ZT 34 CARB**

Serial No. 010000 and up

**915170 – ZT 42 CARB**

Serial No. 010000 and up

Gasoline containing up to 10% ethanol (E10) or up to 10% MTBE (methyl tertiary butyl ether) is acceptable for use in this machine. The use of any gasoline exceeding 10% ethanol (E10) or 10% MTBE will void the product warranty.

Il est possible d'utiliser de l'essence contenant jusqu'à 10% d'éthanol (E10) ou 10% de MTBE (éther méthyl-tertiobutylique) sur cette machine. L'utilisation d'une essence contenant plus de 10% d'éthanol (E10) ou de 10% de MTBE annulent la garantie.

En esta máquina puede utilizarse gasolina con hasta un 10% de etanol (E10) o hasta un 10% de MTBE (éter de metil butil terciario). El uso de cualquier otro tipo de gasolina con un porcentaje superior al 10% de etanol (E10) o al 10% de MTBE invalidará la garantía del producto.

## THE MANUAL

---

Before you operate your unit, carefully and completely read manuals supplied with the unit. The contents will provide you with an understanding of safety instructions and controls during normal operation and maintenance.

For your safety and the safety of others always read, understand, and follow all DANGER, WARNING, and CAUTION messages found in manuals and on safety decals.

Hardware descriptions are given in decimals.

Decimals to Fractions			
.063	1/16	.563	9/16
.125	1/8	.625	5/8
.188	3/16	.688	11/16
.250	1/4	.750	3/4
.313	5/16	.813	13/16
.375	3/8	.875	7/8
.438	7/16	.938	15/16
.500	1/2	1.00	1

## SERVICE AND REPLACEMENT PARTS

---

When ordering replacement parts or making service inquiries, know the Model and Serial numbers of your unit and engine.

Numbers are located on the product registration card in the unit literature package. They are printed on a serial number label, located on the frame of your unit.

- Record Unit Model and Serial numbers here:

- Record Engine Model and Serial numbers here:

### UNAUTHORIZED REPLACEMENT PARTS

Use only Gravelly replacement parts. The replacement of any part on this vehicle with anything other than a Gravelly authorized replacement part may adversely affect the performance, durability, or safety of this unit and may void the warranty. Gravelly disclaims liability for any claims or damages, whether warranty, property damage, personal injury or death arising out of the use of unauthorized replacement parts.

## PRODUCT REGISTRATION

---

The Gravelly dealer must register the product at the time of purchase. Registering the product will help the company process warranty claims or contact you with the latest service information. All claims meeting requirements during the limited warranty period will be honored, whether or not the product registration card is returned. Keep a proof of purchase if you do not register your unit.

**Customer Note:** If Dealer does not register your product, please fill out, sign and return the product registration card to Gravelly or go to [www.gravelly.com](http://www.gravelly.com).

## YOUR SATISFACTION IS IMPORTANT

---

Questions? Please follow these helpful steps:

1. Refer to the manuals supplied with your unit.  
They will guide you through safe and proper operation and maintenance.  
They contain specifications on your unit.  
If your questions are not answered in these manuals, go to step number two.
2. Contact Your Dealer.  
Our dealers will be happy to supply any service or advice required to keep your unit operating at peak efficiency.  
A factory trained staff is available to support your equipment needs. They stock genuine Gravelly parts and lubricants manufactured with the same precision and skill as the original.  
If your questions are not resolved by the support staff, ask for the manager or owner.  
When contacting your Dealer supply your model and serial numbers.

### TO SPEED PARTS ORDERING:

1. Know the model and serial numbers of your unit.
2. Know the part number required.
3. Know the quantity required.
4. Know the part description.

## MODELS

---

### Domestic

**Model 915146 (ZT 34)**

Briggs & Stratton with 34" Mower  
Serial No. 010000 and up

**Model 915148 (ZT 42)**

Kawasaki with 42" Mower  
Serial No. 010000 and up

**Model 915150 (ZT 50)**

Kawasaki with 50" Mower  
Serial No. 010000 and up

**Model 915168 (ZT 34 CARB)**

Briggs & Stratton with 34" Mower  
Serial No. 010000 and up

**Model 915170 (ZT 42 CARB)**

Kawasaki with 42" Mower  
Serial No. 010000 and up

## TABLE OF CONTENTS

---

### DECALS

---

Decals . . . . . 4

### MAIN FRAME AND TRANSAXLES

---

Frame, Hood, Fenders, Casters and Tires. . . . . 6

Seat and Seat Support. . . . . 10

Transaxle, Dump Valves and Rear Wheels . . . . . 14

### OPERATOR CONTROLS

---

Parking Brake. . . . . 16

Steering Controls . . . . . 18

### FUEL TANKS AND ENGINE

---

Engine, Exhaust, Belts and Idlers . . . . . 20

Fuel Tank . . . . . 22

### ELECTRICAL SYSTEM

---

Continuity Diagram. . . . . 23

Electrical System . . . . . 24

Wiring Diagram . . . . . 26

### MOWER DECKS

---

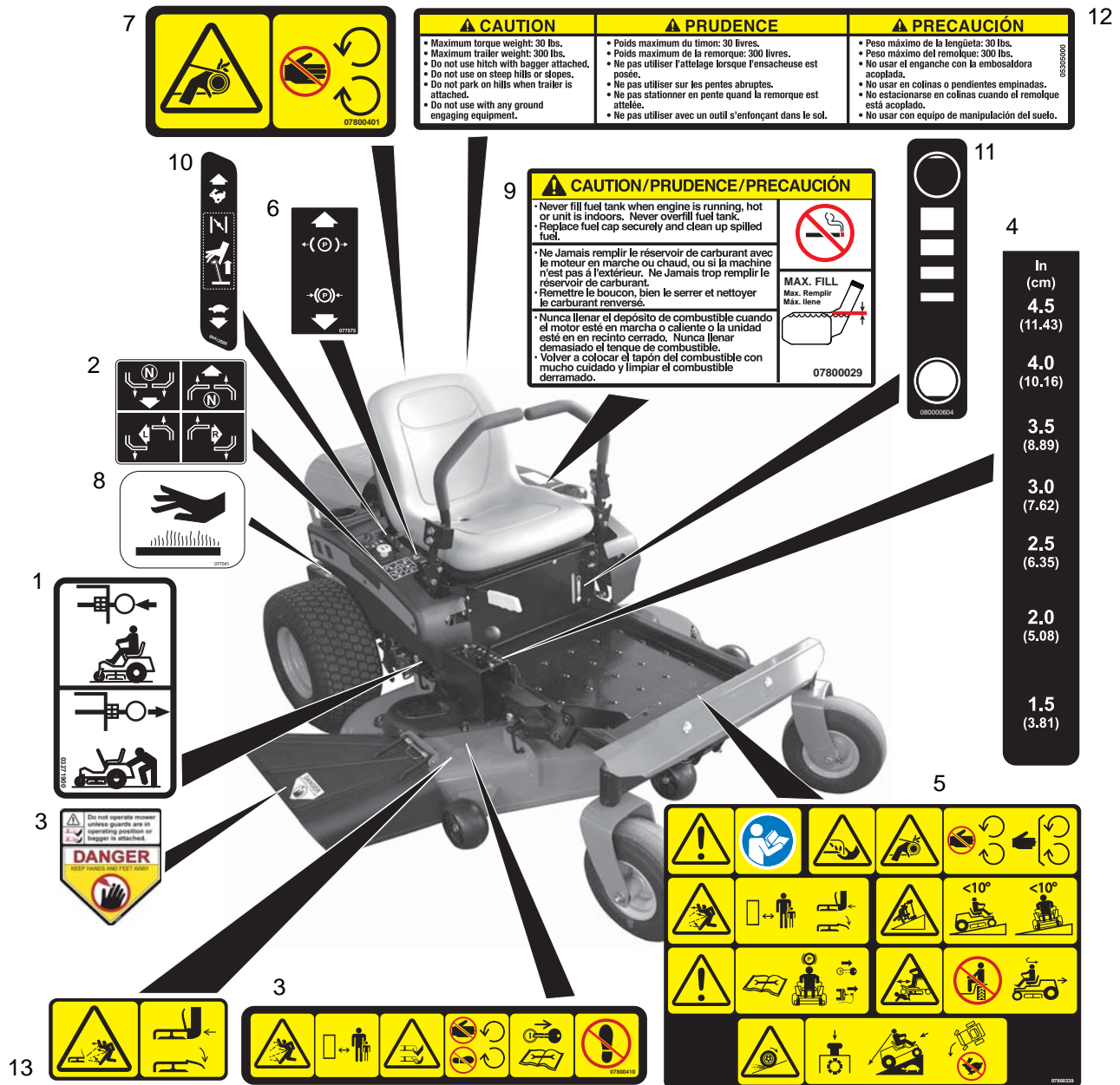
Mower Deck Lift . . . . . 28

Mower Deck, Belt and Idlers . . . . . 30

Belt Covers and Blades . . . . . 34

# DECALS – SAFETY

Model 915146, 148, 150, 168, 170



Item	Part No.	Qty.	Description
1	03271900	2	Decal, Transmission Disconnect
2	07757600	1	Decal, Instructional Steering
3	07800410	2	Decal, Safety – Mower Deck
4	07800334	1	Decal, Cut Height
5	07800339	1	Decal, Safety – Main
6	07757500	1	Decal, Parking Brake Lever
7	07800401	1	Decal, Safety – Guarding
8	07754100	1	Decal, Hot Surface
9	07800029	1	Decal, Fuel Warning
10	05301400	1	Decal, Throttle Control (915146, 168)
	04413500	1	Decal, Throttle/Choke Combo (915148, 150, 170)
11	08000604	1	Decal, Fuel Level
12	05305000	1	Decal, Trailer Hitch (915148, 150, 170)
13	07800402	1	Decal, Safety – Deck Guarding

# DECALS – STYLE

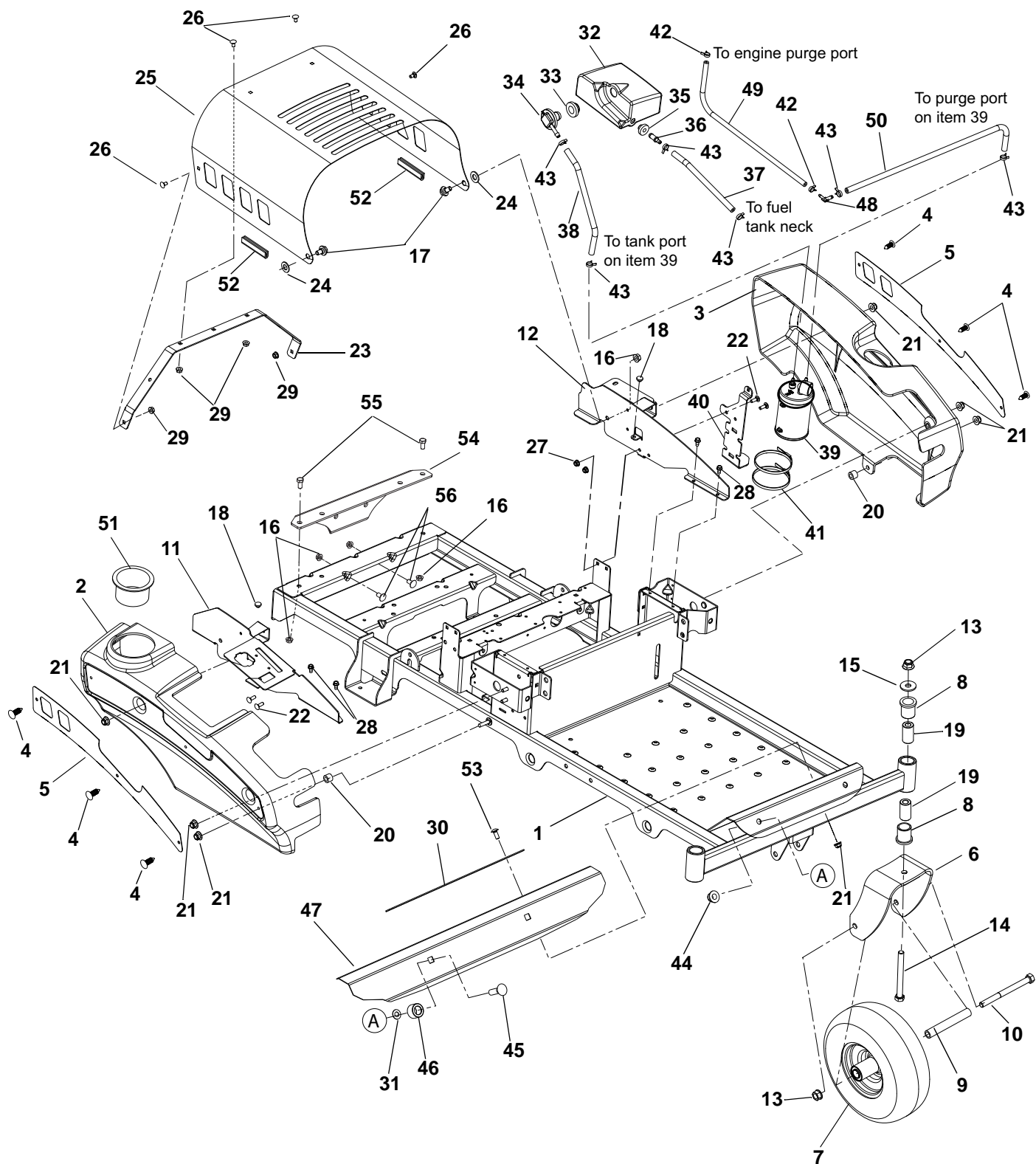
Model 915146, 148, 150, 168, 170



Item	Part No.	Qty.	Description
1	05239900	3	Decal, 9.5" Gravely
2	07800101	1	Decal, ZT 34 (915146, 168)
	07800210	1	Decal, ZT 42 (915148, 170)
	07800211	1	Decal, ZT 50 (915150)
3	08000526	1	Decal, Gravely Heritage, Large

# FRAME, HOOD, FENDERS, CASTERS AND TIRES

Model 915168, 170



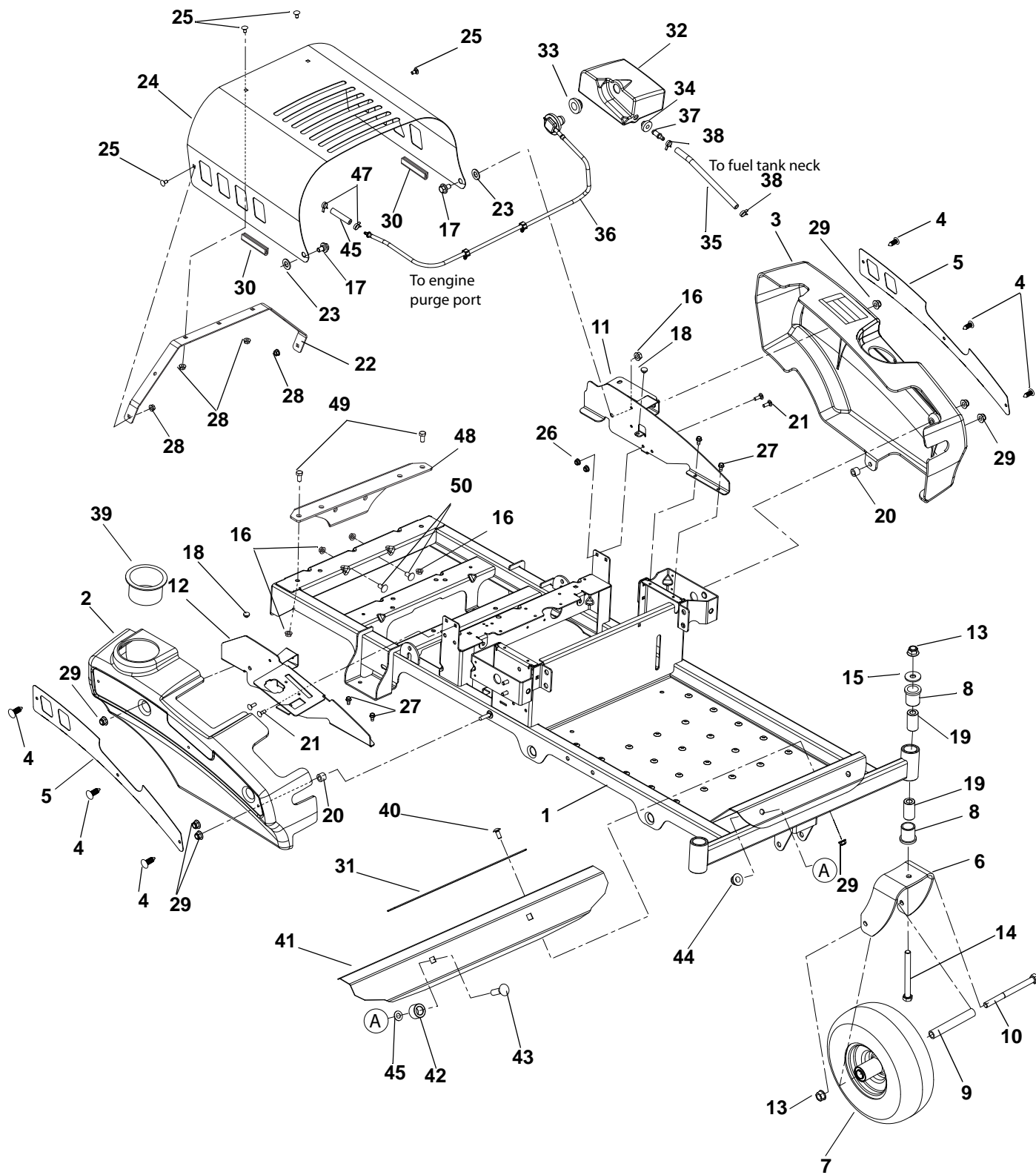
# FRAME, HOOD, FENDERS, CASTERS AND TIRES

## Model 915168, 170

Item	Part No.	Qty.	Description
1	51525900	1	Weldment, Frame
2	03768600	1	Fender, Right Hand
3	03768700	1	Fender, Left Hand
4	07500125	6	Rivet, Nylon
5	03769053	2	Plate, Fender
6	03368553	2	Fork, Caster
7	07100124	2	Wheel/Tire Assembly, 11 x 4-5
8	05500934	4	Bushing, Flange 1.00 x 1.25 x 1.50 x 1.50
9	00278500	2	Spacer, Wheel
10	05964400	2	Bolt, Hex .50-13 x 6.50
11	04417651	1	Weldment, Fender Mount Right Hand (915170)
	04194051	1	Weldment, Fender Mount Right Hand (915168)
12	04240751	1	Weldment, Fender Mount Left Hand
13	06543600	4	Nut, Locking Top Flange .50-13
14	05962200	2	Bolt, Hex .50-13 x 5.00
15	06436400	2	Washer, Flat Steel .511 x 1.441 x .125
16	06542000	6	Nut, Locking Top Flange .38-16
17	07056700	2	Bolt, Shoulder .375-16 x .135
18	07503100	2	Bumper Grommet .125 x .250 Diameter
19	00363100	4	Spacer, Caster
20	08553700	2	Bushing, Sleeve .391 x .688 x .52
21	06545400	8	Nut, .31-18 Nyloc Flange
22	06219900	4	Bolt, Round Head Square Neck .25-20 x .75
23	04085753	1	Hood Brace
24	06443300	2	Washer, Flat Nylon .52 x 1.00 x .08
25	04411853	1	Hood, Zoom
26	06220600	4	Bolt, Round Head Square Neck .25-20 x .50
27	06500012	4	Nut, .25-20 Nyloc Flange
28	07412000	4	Screw, Tapping .25-20 x .50 Hex Washer Head Thread
29	06543500	4	Nut, Locking Top Flange .25-20
30	03833800	1	Grip, Adhesive (1" x 16" BLK)
31	06500705	2	Nut, Push .50
32	04400000	1	Tank, ZT/Waw Fuel Exp.
33	04082700	1	Grommet, Remote Vent Nitrile
34	04246000	1	Vent, Roll-Over (.25" ID Hose)
35	07500206	1	Bushing, Flange .375 x 1.062 x .625 R
36	04382700	1	Fitting, Straight Fuel
37	03278100	7"	Hose, .25 Low-Perm Bulk Gas
38	03278100	10"	Hose, .25 Low-Perm Bulk Gas
39	04082500	1	Carbon Canister, 300CC
40	04086551	1	Bracket, Mount, Canister BBZ
41	04102900	2	Plastic Tie Strap Large
42	04097700	2	Clamp, Hose Spring .188
43	03278800	6	Clamp, Hose Wire .490/.510 x .116
44	06500010	2	Nut, Locking Nylon Flange .50-13
45	06224800	2	Bolt, Round Head Square Neck .50-13 x 1.75
46	04192901	2	Tube, Upper Control Pivot
47	04188353	1	Foot Rest
48	04097000	1	Fitting, 3/16 x 1/4 90 Deg Vac
49	03375900	7"	Hose, .188 Low Perm Bulk (915168)
	03375900	11"	Hose, .188 Low Perm Bulk (915170)
50	03278100	27"	Hose, .25 Low Perm Bulk Gas (915168)
	03278100	30.5"	Hose, .25 Low Perm Bulk Gas (915170)
51	04196270	1	Cupholder
52	07500103	2	Edging, Clutch Paddle – 2.00"
53	06215700	2	Bolt, Round Head Square Neck .31-18 x .75
54	03853851	1	Plate, BBZ Hitch Kit Plate (915170)
55	05959400	2	Bolt, Hex .38-16 x .75 (915170)
56	06223900	2	Bolt, Round Head Square Neck .31-16 x .75 (915170)

# FRAME, HOOD, FENDERS, CASTERS AND TIRES

Model 915146, 148, 150





# FRAME, HOOD, FENDERS, CASTERS AND TIRES

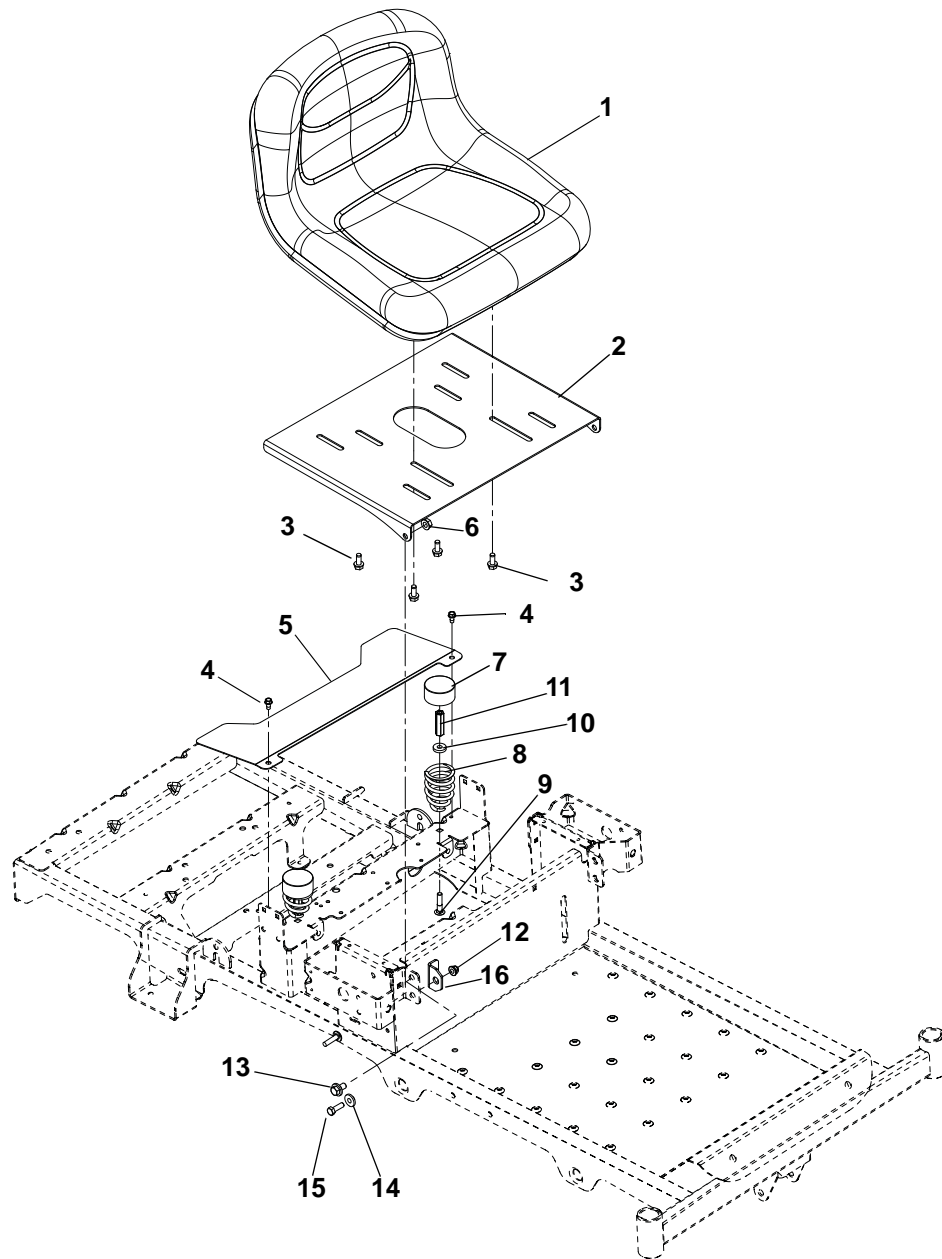
---

## Model 915146, 148, 150

Item	Part No.	Qty.	Description
1	51525900	1	Weldment, Frame
2	03768600	1	Fender, Right Hand
3	03768700	1	Fender, Left Hand
4	07500125	6	Rivet, Nylon
5	03769053	2	Plate, Fender
6	03368553	2	Fork, Caster
7	07100124	2	Wheel/Tire Assembly, 11 x 4-5
8	05500934	4	Bushing, Flange 1.00 x 1.25 x 1.50 x 1.50
9	00278500	2	Spacer, Wheel
10	05964400	2	Bolt, Hex .50-13 x 6.50
11	04240751	1	Weldment, Left Hand Fender Mount
12	04417651	1	Weldment, Right Hand Fender Mount (915148, 150)
	04194051	1	Weldment, Right Hand Fender Mount (915146)
13	06543600	4	Nut, Locking Top Flange .50-13
14	05962200	2	Bolt, Hex .50-13 x 5.00
15	06436400	2	Washer, Flat Steel .511 x 1.441 x .125
16	06542000	6	Nut, Locking Top Flange .38-16
17	07056700	2	Bolt, Shoulder .375-16 x .135
18	07503100	2	Bumper Grommet .125 x .250 Diameter
19	00363100	4	Spacer, Caster
20	08553700	2	Bushing, Sleeve .391 x .688 x .52
21	06219900	4	Bolt, Round Head Square Neck .25-20 x .75
22	04085753	1	Hood Brace
23	06443300	2	Washer, Flat Nylon .52 x 1.00 x .08
24	04411853	1	Hood, ZT
25	06220653	4	Bolt, Round Head Square Neck .25-20 x .50
26	06500012	4	Nut, Locking Top Flange .25-20
27	07412000	4	Screw, Tapping .25-20 x .50 Hex Washer Head Thread
28	06543500	4	Nut, Locking Top Flange .25-20
29	06545400	8	Nut, Locking Nylon Flange .31-18
30	07500103	2	Edging, Clutch Paddle - 2.00"
31	03833800	1	Grip, Adhesive (1" x 16" BLK)
32	04400000	1	Tank, ZT/Waw Fuel Expansion
33	04082700	1	Grommet, Remote Vent Nitrile
34	07500206	1	Bushing, Flange .375 x 1.062 x .625
35	03278100	1	Hose, .25 Low-Perm Bulk Gas (7 inches)
36	04382500	1	Assembly, Fuel Vent – Kohler, Briggs and Stratton (915146)
	04382600	1	Assembly, Fuel Vent – Kawasaki (915148, 150)
37	04382700	1	Fitting, Straight Fuel
38	03278800	2	Clamp, Hose Wire .490/.510 x .116
39	04192700	1	Cupholder, Snap-In, 3.75 OD
40	06215700	2	Bolt, Round Head Square Neck .31-18 x .75
41	04188353	1	Foot Rest
42	04192901	2	Tube, Upper Control Pivot
43	06224800	2	Bolt, Round Head Square Neck .50-13 x 1.75
44	06500010	2	Nut, Locking Nylon Flange .50-13
45	06500705	2	Nut, Push .50
46	03375900	NA	Hose, .188 Low-PERM Bulk Gas (as required)
47	04097700	2	Clamp-Hose, Spring .188
48	03853851	1	Plate, BBZ Hitch Kit Plate (915148, 150)
49	05959400	2	Bolt, Hex .38-16 x .75 (915148, 150)
50	06223900	2	Bolt, Round Head Square Neck .31-16 x .75 (915148, 150)

# SEAT AND SEAT SUPPORT

Model 915146, 168



# SEAT AND SEAT SUPPORT

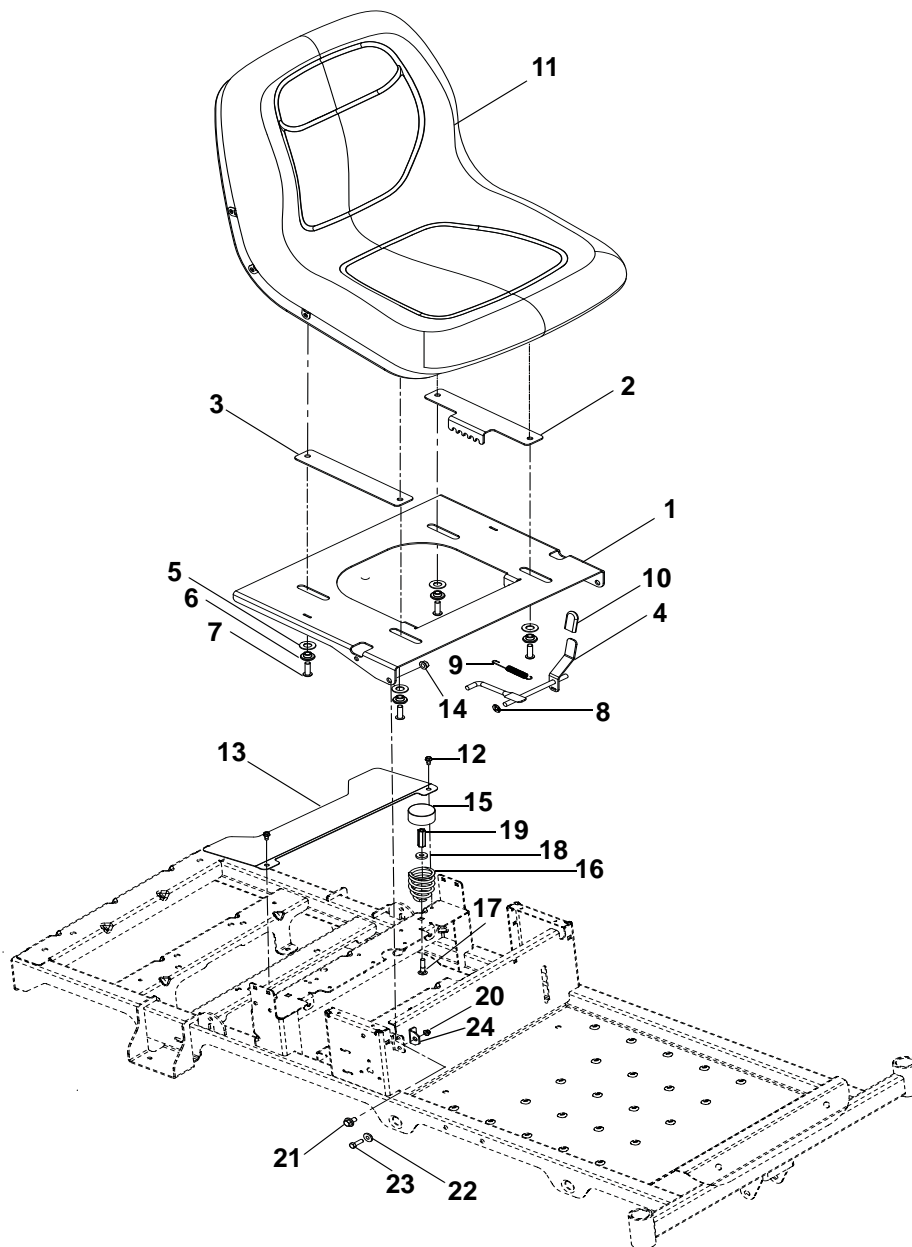
---

## Model 915146, 168

Item	Part No.	Qty.	Description
1	03795800	1	Seat, 13 in Grey
2	03782051	1	Seat Plate
3	05900033	4	Bolt, Hex 5/16-18 x 3/4
4	07412000	2	Screw, Tapping .25-20 x .50 Hex Washer Head Thread
5	03753351	1	Guard, Fan
6	06542000	2	Nut, .38-16 Locking Top Flange
7	00337700	2	Hub Cap
8	08300021	2	Spring, Seat
9	06212100	2	Bolt, Round Head Square Neck .31-18 x 1.50
10	06439100	2	Washer, Flat Steel .328 x .87 x .179
11	06500015	2	Nut, Coupling 5/16-18 x 1.75
12	06545400	2	Nut, 5/16-18 Flange Nyloc
13	07056700	2	Bolt, Shoulder .375-16 x .135
14	01305900	2	Bushing, Flange .325 x .499 x .26 x .88
15	05946900	2	Bolt, Hex .31-18 x 1.00
16	03798751	2	Bracket, Seat Stop

# SEAT AND SEAT SUPPORT

Model 915148, 150, 170



# SEAT AND SEAT SUPPORT

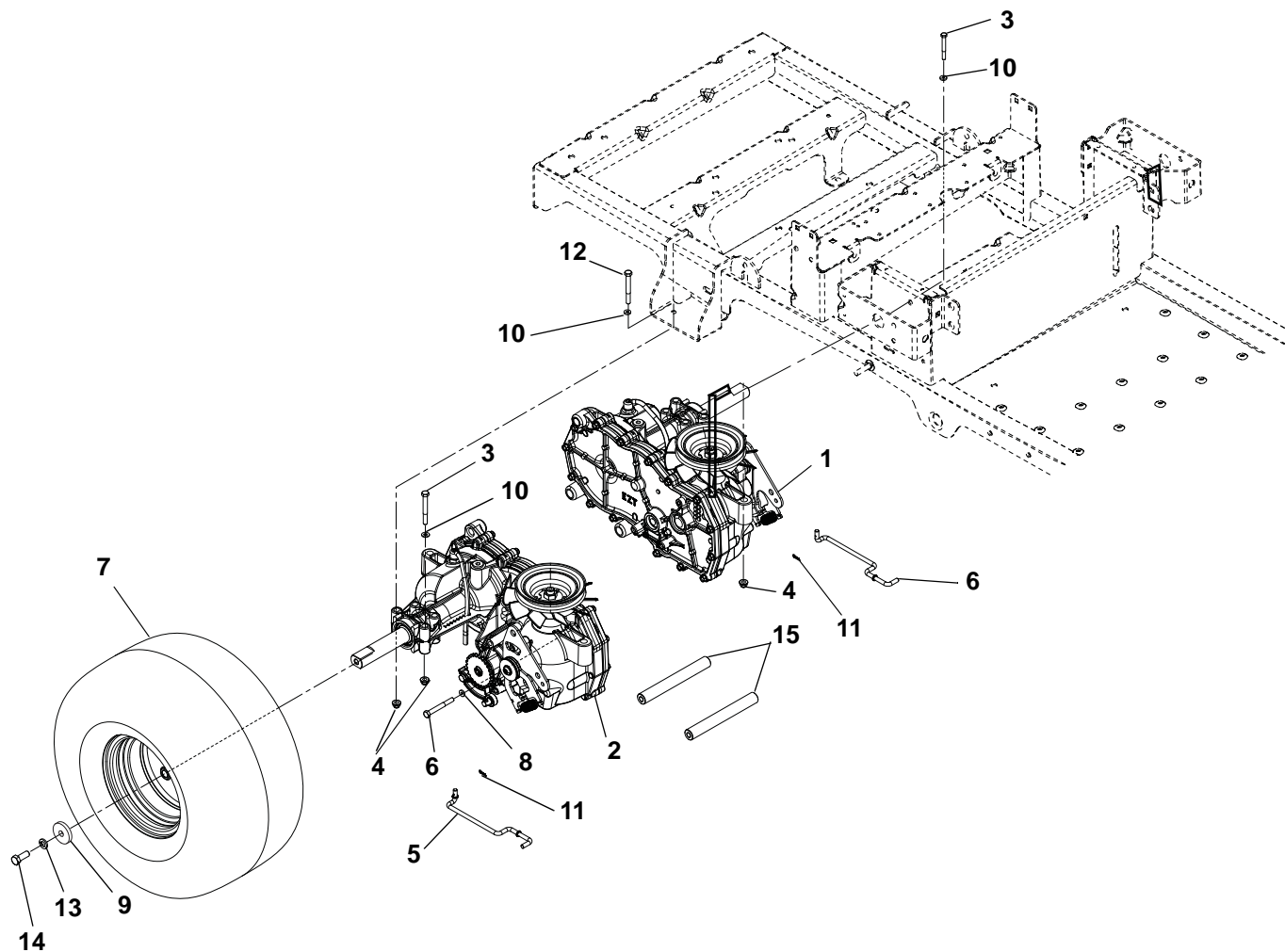
---

## Model 915148, 150, 170

Item	Part No.	Qty.	Description
1	04376251	1	Plate, Adjustable Seat
2	04376951	1	Plate, Adjustable Seat Track
3	04377051	1	Plate Adjustable Seat Slide
4	04377167	1	Weldment, Adjustable Seat Latch
5	06439200	4	Washer, Flat Steel .505 x 1.00 x .062
6	05514800	4	Bushing, Flange .32 x .500 x .344 x .880
7	05901508	4	Screw, Socket Head, Button Head .31-18 x 1.00
8	06514900	1	Push Nut 5/16
9	08321100	1	Weldment, Spring Tension .043 x .44 x 3.31, 5.8
10	04396600	1	Grip, Seat Lever, Grey
11	04278000	1	Seat, Milsco XB180 Grey
12	07412000	2	Screw, Tapping .25-20 x .50 Hex Washer Head Thread
13	03753351	1	Guard, Fan
14	06542000	2	Nut, .38-16 Locking Top Flange
15	00337700	2	Hub Cap
16	08300021	2	Spring, Seat
17	06212100	2	Bolt, Round Head Square Neck .31-18 x 1.50
18	06439100	2	Washer, Flat Steel .328 x .87 x .179
19	06500015	2	Nut, Coupling 5/16-18 x 1.75
20	06545400	2	Nut, 5/16-18 Flange Nyloc
21	07056700	2	Bolt, Shoulder .375-16 x .135
22	01305900	2	Bushing, Flange .325 x .499 x .26 x .88
23	05946900	2	Bolt, Hex .31-18 x 1.00
24	03798751	2	Bracket, Seat Stop

# TRANSAXLE, DUMP VALVES AND REAR WHEELS

Model 915146, 148, 150, 168, 170



# TRANSAXLE, DUMP VALVES AND REAR WHEELS

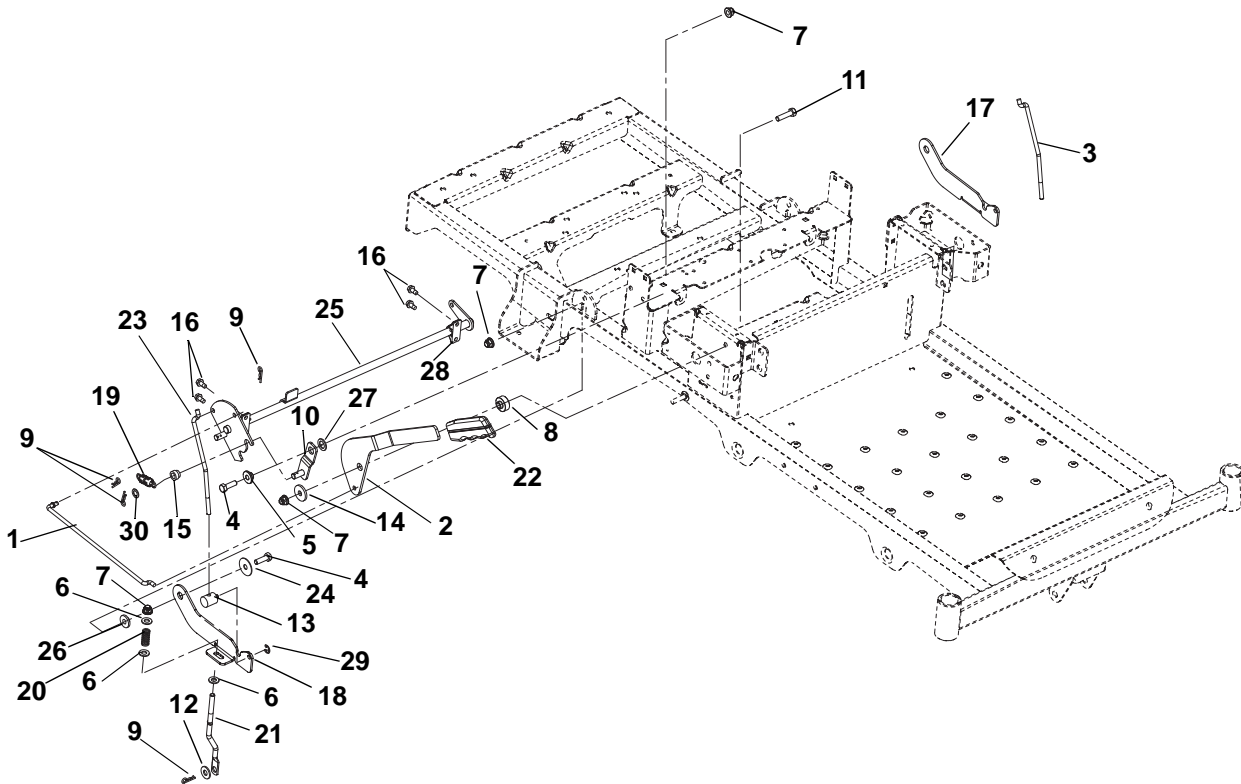
---

## Model 915146, 148, 150, 168, 170

Item	Part No.	Qty.	Description
1	03872300	1	Transaxle, Left Hand EZT D-Shaft (915146, 168)
	04382300	1	Transaxle, Left Hand EZT D-Shaft Long (915148, 150, 170)
2	03872400	1	Transaxle, Right Hand EZT D-Shaft (915146, 168)
	04382400	1	Transaxle, Right Hand EZT D-Shaft Long (915148, 150, 170)
3	05963700	4	Bolt, Hex .31-18 x 2.25
4	06545400	8	Nut 5/16-18 Flange Nyloc
5	03762700	1	Dump Valve, Right Hand
6	03762800	1	Dump Valve, Left Hand
7	07100809	2	Tire Assembly 18 x 6.5-8 2 Ply DSHAFT (915146, 168)
	07100928	2	Tire/Wheel Assembly, 18 x 8.5-8 Center (915148, 170)
	07100929	2	Tire/Wheel Assembly, 18 x 9.50-8 Offset (915150)
8	06444000	4	Washer, Flat Steel .406 x 1.00 x .188
9	06400006	2	Washer, Flat Steel .406 x 1.50 x .245
10	06435700	8	Washer, Flat Steel .38 x .875 x .083
11	06701900	2	Pin, Hair, Internal .06 x .18 x .77
12	05960600	4	Bolt, Hex .31-18 x 2.75
13	06308800	2	Washer, Locking .38 x .094 Regular
14	05900013	2	Bolt, Hex .38-16 x 1.00 YWZC EP30
15	03762067	2	Shaft, Transaxle Brace

# PARKING BRAKE

Model 915146, 148, 150, 168, 170



Item	Part No.	Qty.	Description
1	03759400	1	Link, Brake Handle
2	03759167	1	Handle, Parking Brake
3	03823300	1	Link, Neutral Left Hand
4	05946900	3	Bolt, Hex .31-18 x 1.00
5	05514800	1	Bushing, Flange .312 x .500 x .344 x .880
6	06437200	6	Washer, Flat Steel .344 x .688 x .065
7	06545400	6	Nut, Flange Nyloc 5/16-18
8	03769400	1	Spacer, Brake Handle
9	06713500	5	Pin, Hair Internal .08 x .18 x 1.18
10	03759200	1	Weldment, Detent Arm
11	05947500	1	Bolt, Hex .31-18 x 1.25
12	06435700	2	Washer, Flat Steel .38 x .875 x .083
13	03764800	2	Trunnion, 1/4-20
14	06446300	1	Washer, Flat Steel .344 x 1.125 x .135
15	03764900	1	Roller
16	07400034	4	Screw, Tapping .25-20 x .50 Hex Washer Head
17	03759067	1	Latch, Left Hand Neutral
18	03758967	1	Latch, Right Hand Neutral
19	08326700	1	Spring, Tension .072 x .565 x 1.87
20	08300028	2	Spring, Compression
21	03759667	2	Link, Brake Cog
22	03826900	1	Grip, Parking Brake
23	03759500	1	Link, Neutral Right Hand
24	06446900	2	Washer, Flat Steel .347 x 1.254 x .048
25	03761167	1	Weldment, Brake Shaft
26	01305900	2	Bushing, Flange .325 x .499 x .26 x .88
27	06441100	1	Washer, Flat Steel .52 x .827 x .062
28	03757501	2	Bushing, .50 Clamp Block Molded
29	05700125	2	Ring, Retaining, External .250 x .025
30	06400840	1	Washer, Steel .385 x .745 x .030

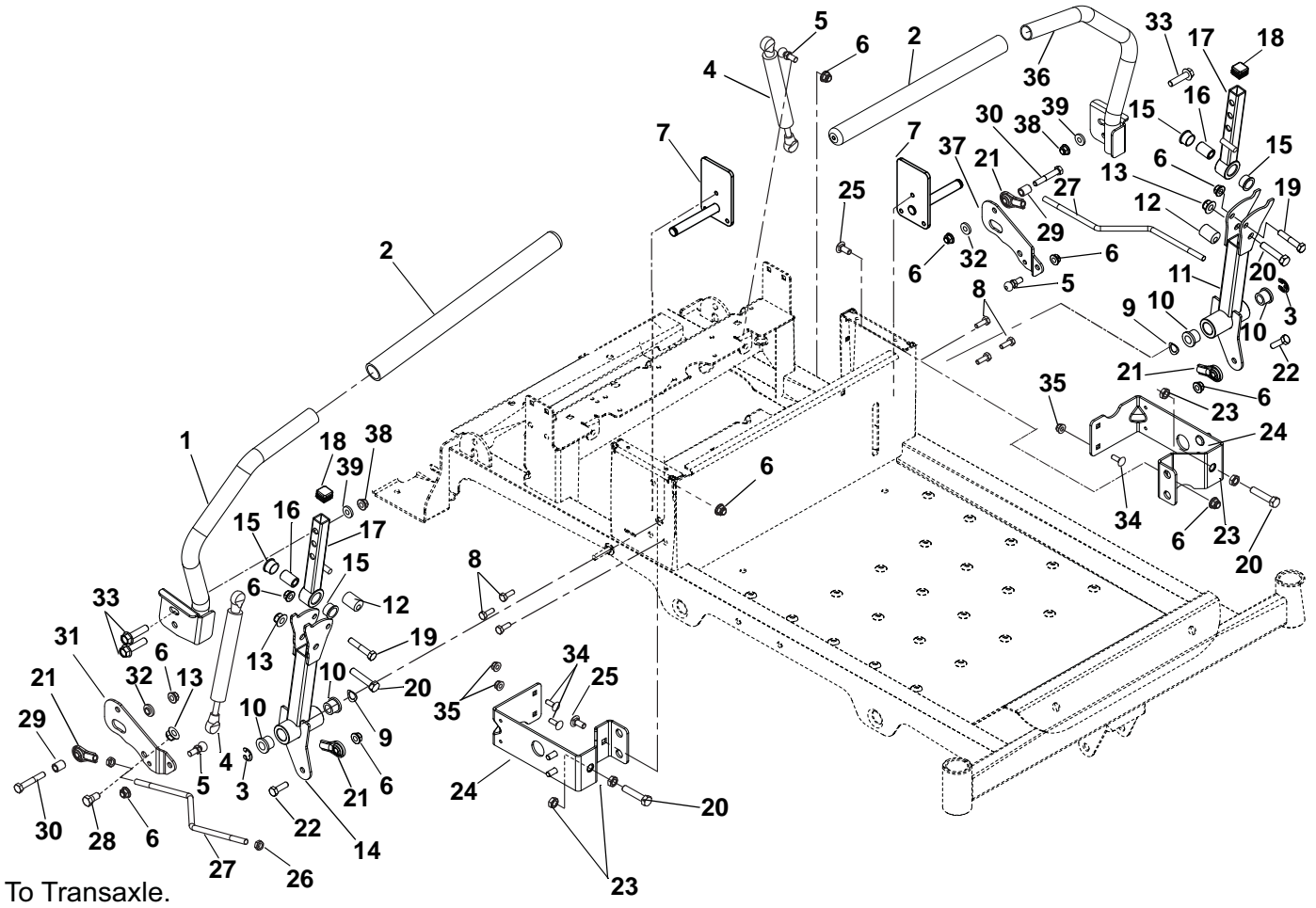


# NOTES

---

# STEERING CONTROLS

Model 915146, 148, 150, 168, 170



# STEERING CONTROLS

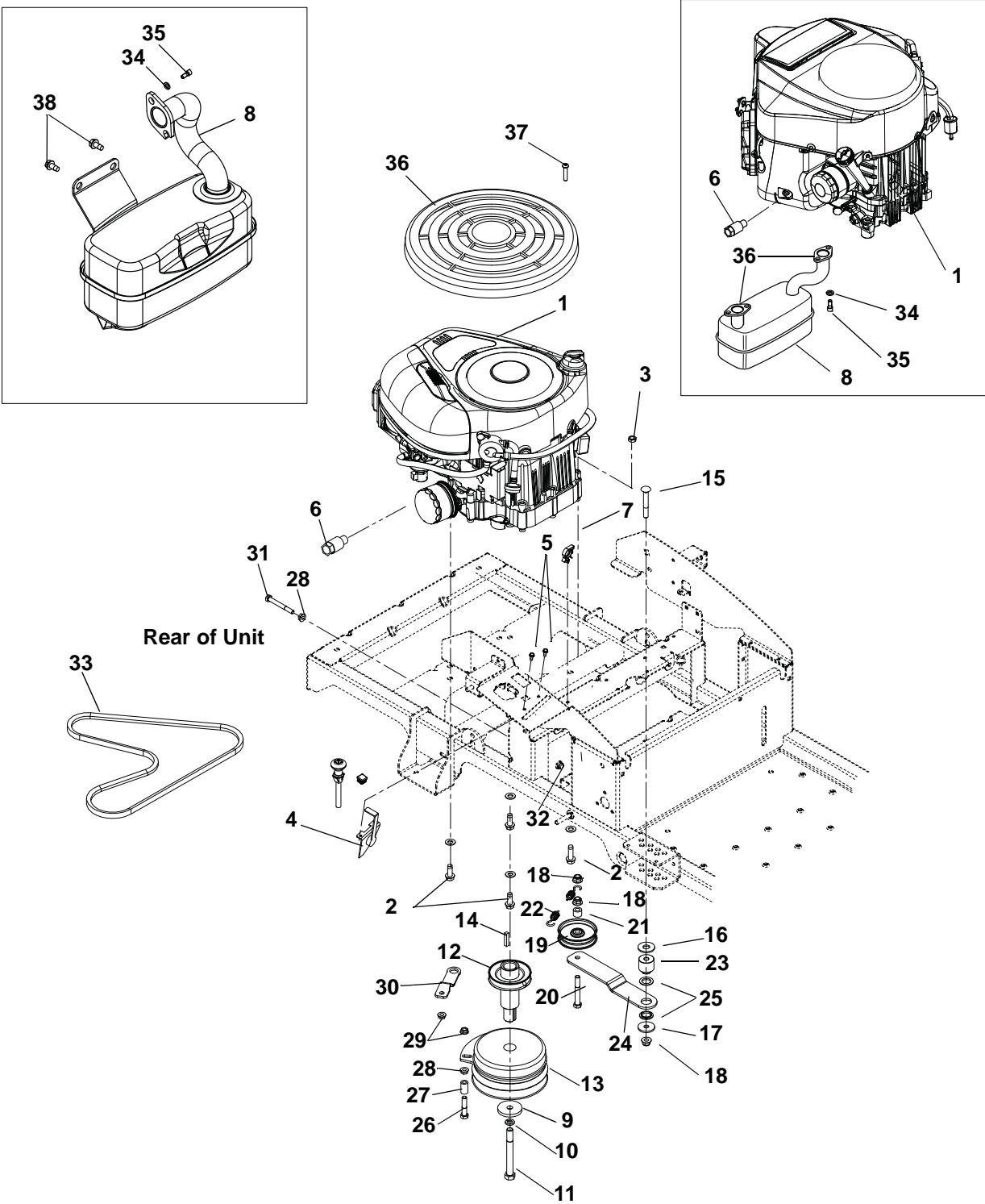
---

## Model 915146, 148, 150, 168, 170

Item	Part No.	Qty.	Description
1	04193051	1	Weldment, Steering Handle Right Hand
2	04257400	2	Grip, Handlebar 15" Foam
3	05710200	2	Ring, Retaining External .438 x 1.00 x 0.83
4	03943800	2	Damper
5	03652200	4	Stud, Ball
6	06545400	12	Nut, .31-18 Flange
7	04197651	2	Weldment, Steering Shaft
8	07400034	6	Screw, Tapping .25-20 x .50 Hex Washer Head
9	06400005	2	Washer, Wave
10	05511000	4	Bushing, Flanged
11	04192851	1	Weldment, Lower Control Arm
12	05500932	2	Bushing, Eccentric
13	06545500	4	Nut, .38-16 Nyloc Flange
14	04199451	1	Weldment, Lower Control Right Hand
15	05501017	4	Bushing, Flanged
16	04193500	2	Spacer, .375 x .625 x .970
17	04192951	2	Weldment, Upper Control Arm
18	07500131	2	Cap Plug, Square
19	05957400	2	Bolt, Hex .31-18 x 1.75
20	05974000	4	Bolt, Hex .375-16 x 1.75
21	03787100	4	Alignaball, 5/16 RH Thread
22	05946900	2	Bolt, Hex .31-18 x 1.00
23	06535900	4	Nut, Hex Jam .375-16
24	03956251	2	Bracket, Speed Adjustment/Seat Pivot
25	06220800	2	Bolt, Round Head Square Neck .31-18 x .75
26	06536700	4	Nut, Jam, .31-24
27	04197300	2	Wireform, Steering Link
28	05959400	2	Bolt, Hex .38-16 x .75
29	04208000	2	Spacer, .328 x .500 x .625
30	05957200	2	Bolt, Hex .31-18 x 2.00
31	03759351	1	Plate, Dampener Right Hand
32	04147200	2	Bushing, Flanged
33	07050000	4	Bolt, Serrated Hex Flange Washer Head .375-16 x 1.25
34	06219900	4	Bolt, Round Head Square Neck .25-20 x .75
35	06500012	4	Nut, Locking Nylon Flange .25-20
36	04199551	1	Weldment, Steering Handle Left Hand
37	03766051	1	Plate, Damper Left Hand
38	06537200	4	Nut, Locking Center Jam .375-16
39	06436200	4	Washer, Flat Steel .406 x .812 x .065

# ENGINE, EXHAUST, BELTS AND IDLERS

Model 915146, 148, 150, 168, 170



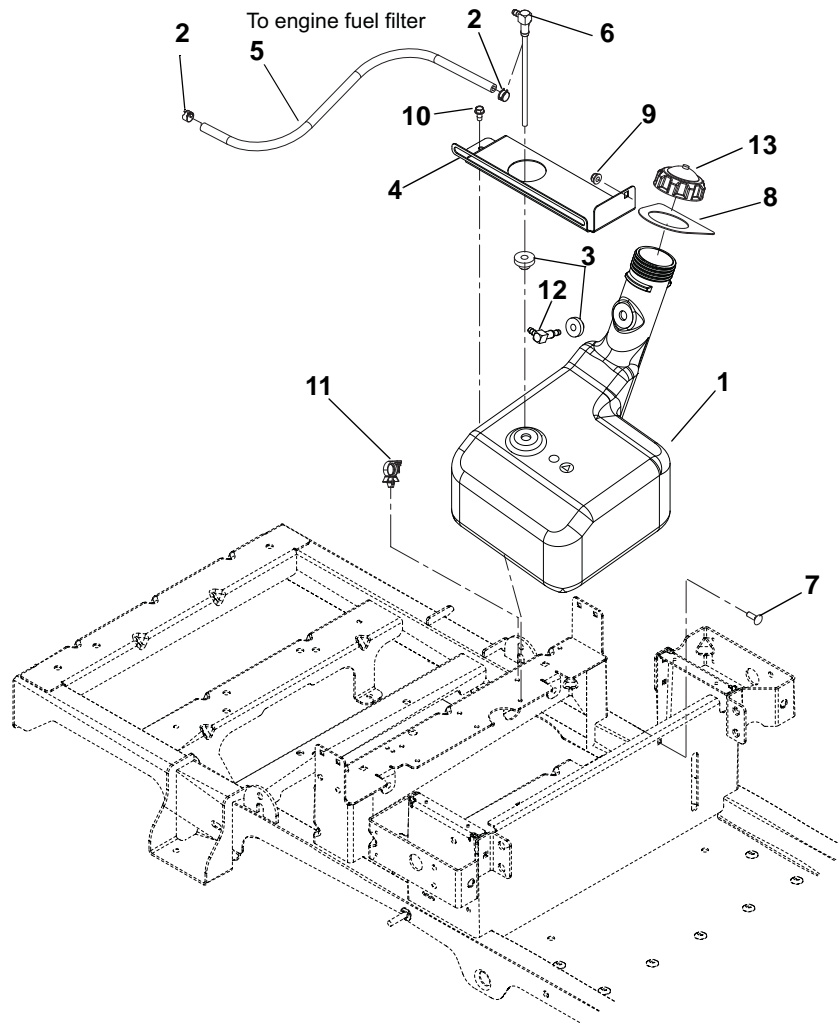
# ENGINE, EXHAUST, BELTS AND IDLERS

## Model 915146, 148, 150, 168, 170

Item	Part No.	Qty.	Description
1	08200638	1	Engine, 16.5 HP Briggs and Stratton Intek without Muffler (915146, 168)
	08200717	1	Engine, Kawasaki FR691 23HP (915148, 170)
	08200718	1	Engine, Kawasaki FR730 24HP (915150)
2	07414700	4	Screw, Tapping .38-16 x 1.25 Hex Washer Head(915146, 168)
	05901507	4	Bolt, Hex .38-16 x 1.25 (915148, 150, 170)
3	06537200	1	Nut, Locking Jam .375-16 (915146, 168)
4	00619600	1	Throttle/Choke Cable (915146, 168)
	06900520	1	Cable, Choke/Throttle Combo (915148, 150, 170)
5	07415800	2	Screw, Tapping 10-24 x .50 Hex Washer Head
6	03943600	1	Oil Drain
7	00390100	4	Wire Clip (for .25" hole) (148, 150, 170)
8	03946900	1	Muffler, Twin (915148, 150, 170)
	04058800	1	Muffler, B&S 208 BBZ (915146, 168)
9	06443600	1	Washer, Flat Steel .469 x 2.00 x .25
10	06309300	1	Washer, Locking .44 x .109 Regular
11	05966700	1	Bolt, Hex .44-20 x 4.50 Grade 8
12	07338600	1	Weldment, Crankshaft Extension
13	03972700	1	Clutch, 105 FT*LB MONO Pole
14	06603400	1	Key, Square .25 x 1.25 x .25 SAE 8630 or SAE 1035
15	06225400	1	Bolt, Round Head Square Neck .38-16 x 2.75
16	06442000	1	Washer, Flat Steel .563 x 1.38 x .109
17	06442400	2	Washer, Flat Steel .406 x 1.375 x .135
18	06545500	3	Nut, Locking Nylon Flange .38-16
19	07300221	1	Pulley, Engine Clutch
20	05961400	1	Bolt, Hex .38-16 x 2.75
21	08553700	1	Bushing, Sleeve .391 x .688 x .52
22	08300512	1	Spring, Extension
23	03961100	1	Spacer, Ground Drive Idler
24	03961067	1	Idler Arm, Ground Drive
25	03960700	1	Bushing, Idler Arm
26	05901418	1	Screw, Cap .31-18 x 1.75
27	03980200	1	Spacer, Rubber 5/16 ID x 1.0
28	06530400	2	Nut, Spin Lock Flange .312-18
29	06543100	2	Nut, Locking Top Flange .31-18
30	03956751	1	Bracket, Clutch Stop
31	05960600	1	Bolt, Hex .31-18 x 2.75
32	06545400	1	Nut, Locking Nylon Flange .31-18
33	07200010	1	V-Belt, HA-RAW Edge Laminated
34	06308600	4	Washer, Locking .31 x .078 Regular (915148, 150, 170 )
	06308600	2	Washer, Locking .31 x .078 Regular (915146, 168)
35	05933100	4	Capscrew .31-18 x .75 S/HD (915148, 150, 170)
	05933100	2	Capscrew .31-18 x .75 S/HD (915146, 168)
36	03276500	1	Guard, Briggs Engine (915146, 168)
37	06100206	1	Screw, 8-16 x .87 (915146, 168)
38	07400034	2	Screw, Tapping .25-20 x .50 Hex Washer Head (915146, 168)

# FUEL TANK

Model 915146, 148, 150, 168, 170



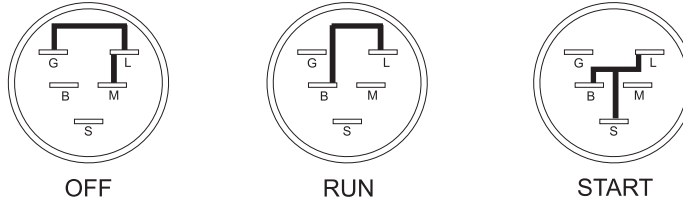
Item	Part No.	Qty.	Description
1	04191900	1	Tank, Fuel with Vent Port
2	03278800	2	Clamp, Fuel Line
3	07500206	2	Bushing
4	03771451	1	Bracket, Tank Strap
5	03278100	NA	Hose, .25 Low Perm Gas (as required)
6	04333600	1	Assembly, Fuel Pickup
7	06219900	1	Bolt, Round Head Square Neck .25-20 x .75
8	03795700	1	Seal, Tank Neck
9	06500012	1	Nut, .25-20 Nyloc Flange
10	07400034	1	Screw, Tapping .25-20 x .50 Hex Washer Head
11	00390100	1	Wire Clip
12	04382800	1	Fitting, 90 Degree Fuel Plastic
13	04238500	1	Fuel Cap, 225 CARB with 12" THTR

# CONTINUITY DIAGRAM

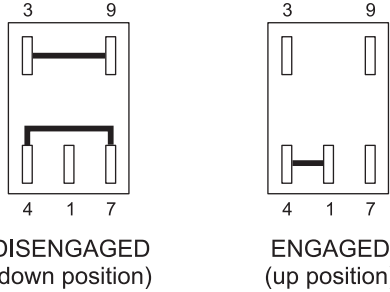
Model 915146, 148, 150, 168, 170

The diagrams below show the various states of connection for electrical components.  
The solid lines on switches show continuity.  
NOTE: All switches are viewed from the rear.

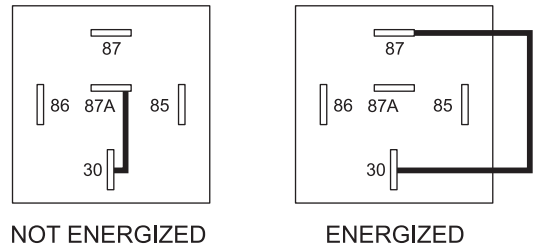
## Key Switch (03290500)



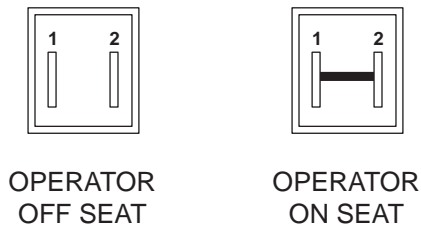
## PTO Switch (04399600)



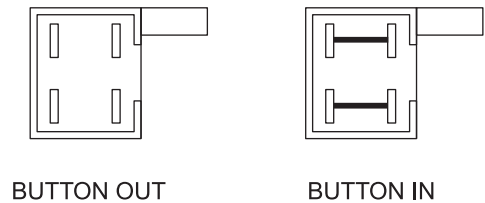
## Relay (03042800)



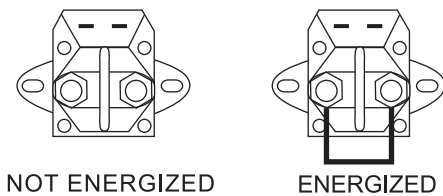
## Seat Switch (03654200)



## Park Brake Switch (03606600)



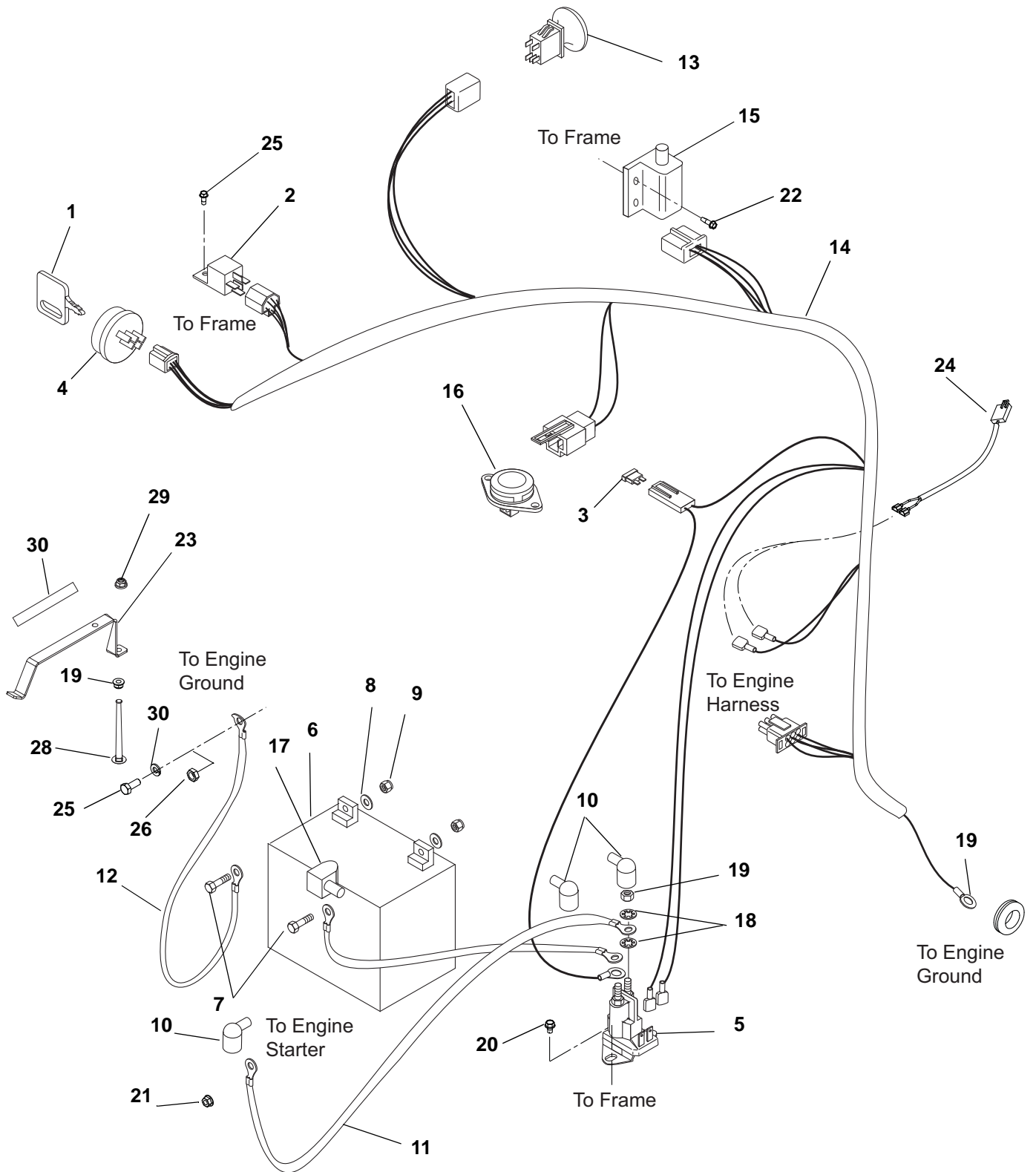
## Solenoid (00696900)



PE0771

# ELECTRICAL SYSTEM

Model 915146, 148, 150, 168, 170



PE0200\_A\_G\_Electrical



# ELECTRICAL SYSTEM

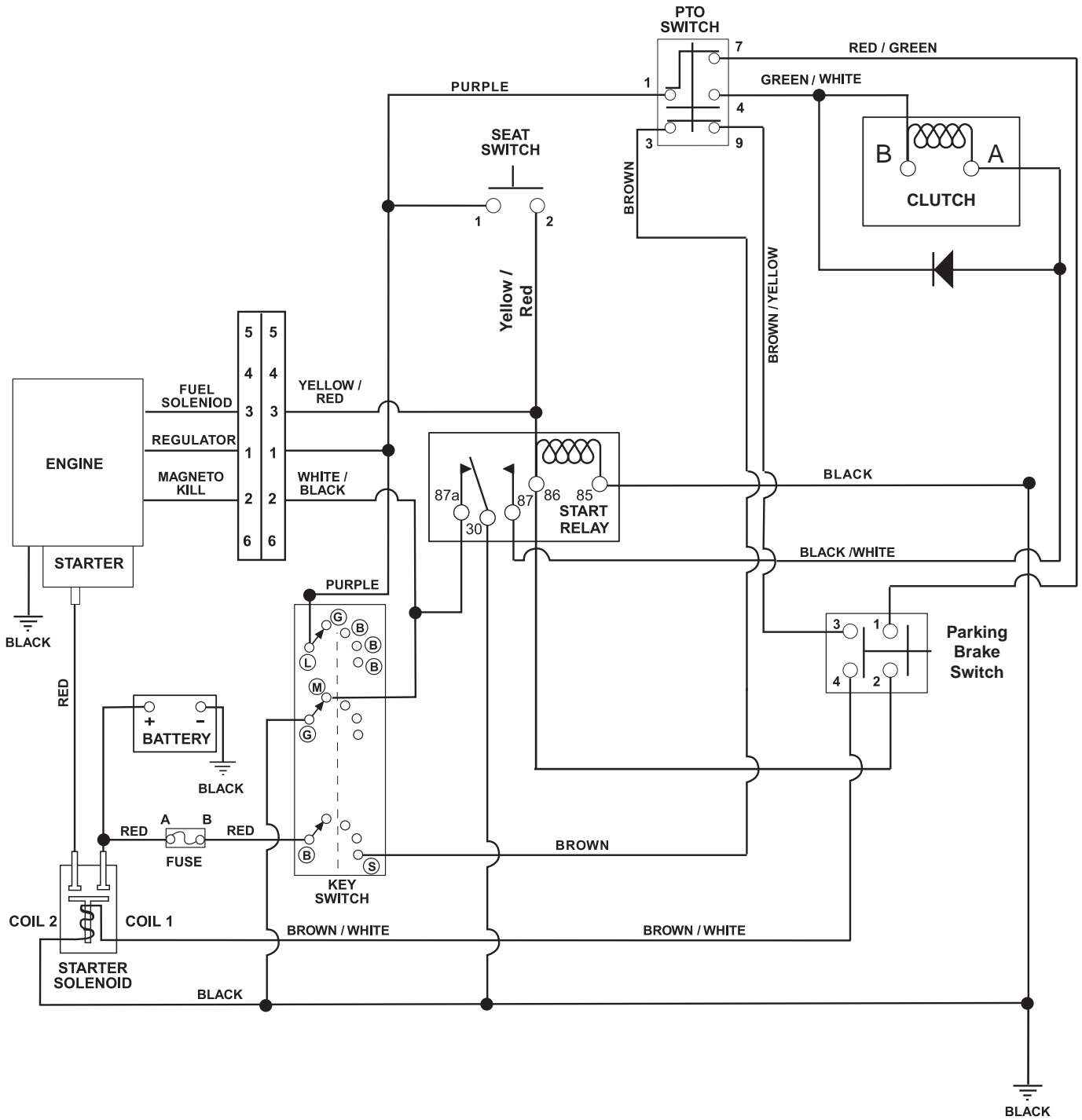
---

## Model 915146, 148, 150, 168, 170

Item	Part No.	Qty.	Description
1	03927000	1	Key
2	03042800	1	Relay
3	09351100	1	Fuse, 30 AMP
4	03290500	1	Key Switch with Key
5	00696900	1	Solenoid
6	04382200	1	Battery, 12V 20 Hour (Can be replaced with U1 190 or larger)
7	05946800	2	Bolt, Hex .25-20 x .75
8	06437300	2	Washer, Flat Steel .281 x .62 x .065
9	06509200	2	Nut, KEPS .250-20
10	07533200	3	Boot, Eyelet Terminal
11	04249800	2	Cable, POS
12	04249900	1	Ground Cable
13	04399600	1	Switch, Clutch With Retainer
14	03773900	1	Harness, Wiring ZT
15	03606600	1	Switch, Double Pole N.O. / N.O.
16	03654200	1	Switch, Snap Mounting (N.O.)
17	07505700	1	Insulator
18	06310500	4	Washer, Locking .31
19	06536700	2	Nut, Jam .31-24
20	07411600	2	Screw, Tapping .250-20 x .37 Hex Washer Head
21	06543500	1	Nut, Locking Top Flange .25-20
22	07400038	2	Screw, 12-14 x .75 HX
23	04385351	1	Hold Down, Battery
24	03972600	1	Harness, Clutch
25	07411900	1	Screw, Tapping 12-24 x .50 Hex Washer Head
26	06537200	1	Nut, Locking Center Jam .375-16 (915146, 168)
27	00390100	1	Wire Clip (915148, 150, 170)
28	06200211	1	Bolt, Round Head Square Neck .25-20 x 4.50
29	06500012	1	Nut, Locking Nylon Flange .25-20
30	07800336	1	Decal, U1 Battery Replacement

# WIRING DIAGRAM

Model 915146, 148, 150, 168, 170



# NOTES

---



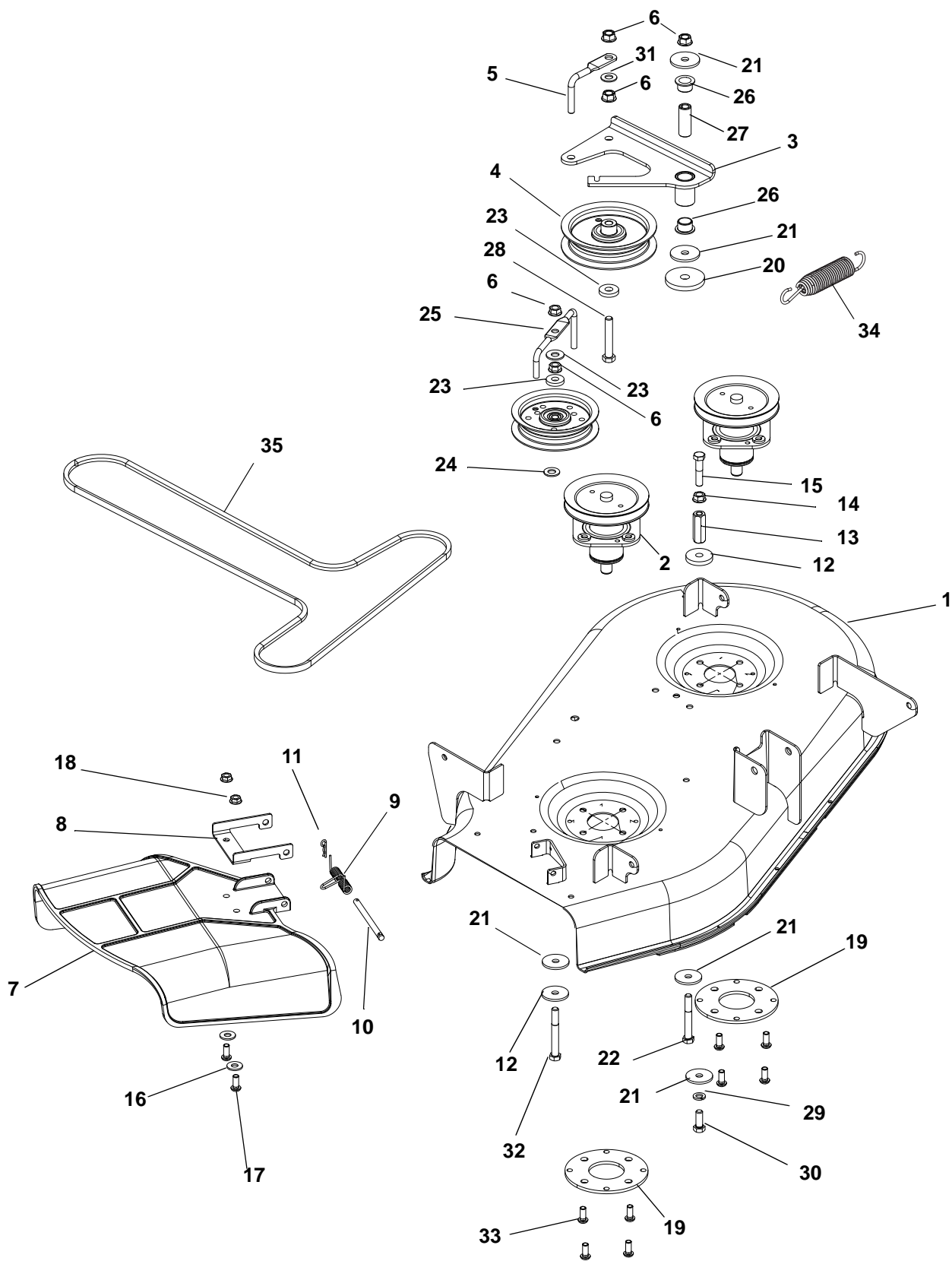
# MOWER DECK LIFT

Model 915146, 148, 150, 168, 170

Item	Part No.	Qty.	Description
1	04434567	1	Weldment, Footpedal
2	04434467	1	Weldment, Rear Deck Lift
3	04377367	1	Weldment, Lift/HOC Link
4	04377951	1	Plate, Height Adjustment
5	04391567	1	Weldment, Height of Cut
6	04384851	1	Guard, Deck HOC
7	04377867	4	Trunion, Deck Adjuster
8	04377767	4	Wireform, Deck Adjustment
9	05519100	4	Bushing, Flange .629 x .879 x .469 x 1.25
10	07525100	1	Stop
11	08553700	4	Bushing, Sleeve .391 x .688 x .52
12	06700201	2	Pin, Bow Tie Locking Cotter .091 x 1.875
13	07415800	2	Screw, Tapping, Hex Washer Head Rolling 10-24 x .50
14	05948700	2	Bolt, Hex .38-16 x 1.00
15	05962900	1	Bolt, Hex .38-16 x 2.25
16	06545500	7	Nut, Locking Nylon Flange .38-16
17	06442800	2	Washer, Flat Steel .656 x 1.31 x .095
18	06435700	3	Washer, Flat Steel .38 x .875 x .083
19	06436200	5	Washer, Flat Steel .438 x 1.00 x .083
20	08335700	1	Spring, Compression .125 x .781 x 1.25
21	07533500	1	Knob, Ball – Black 1.47" .375-16
22	06529400	4	Nut, Hex .38-16
23	06443400	2	Washer, Flat Steel .380 x 1.50 x .125
24	06542000	4	Nut, Locking Top Flange .38-16
25	07800334	1	Decal, Height of Cut
26	06700206	4	Pin, Bowtie Locking
27	06443300	4	Washer, Flat Nylon .518 x 1.00 x .08
28	04434667	2	Weldment, Deck Lift Arm
29	05967100	2	Bolt, Hex .25-20 x 2.00
30	05501112	2	Bushing, Sleeve .265 x .500 x .500
31	06500012	2	Nut, Locking Nylon Flange .25-20

# MOWER DECK, BELT AND IDLERS

Model 915146, 168



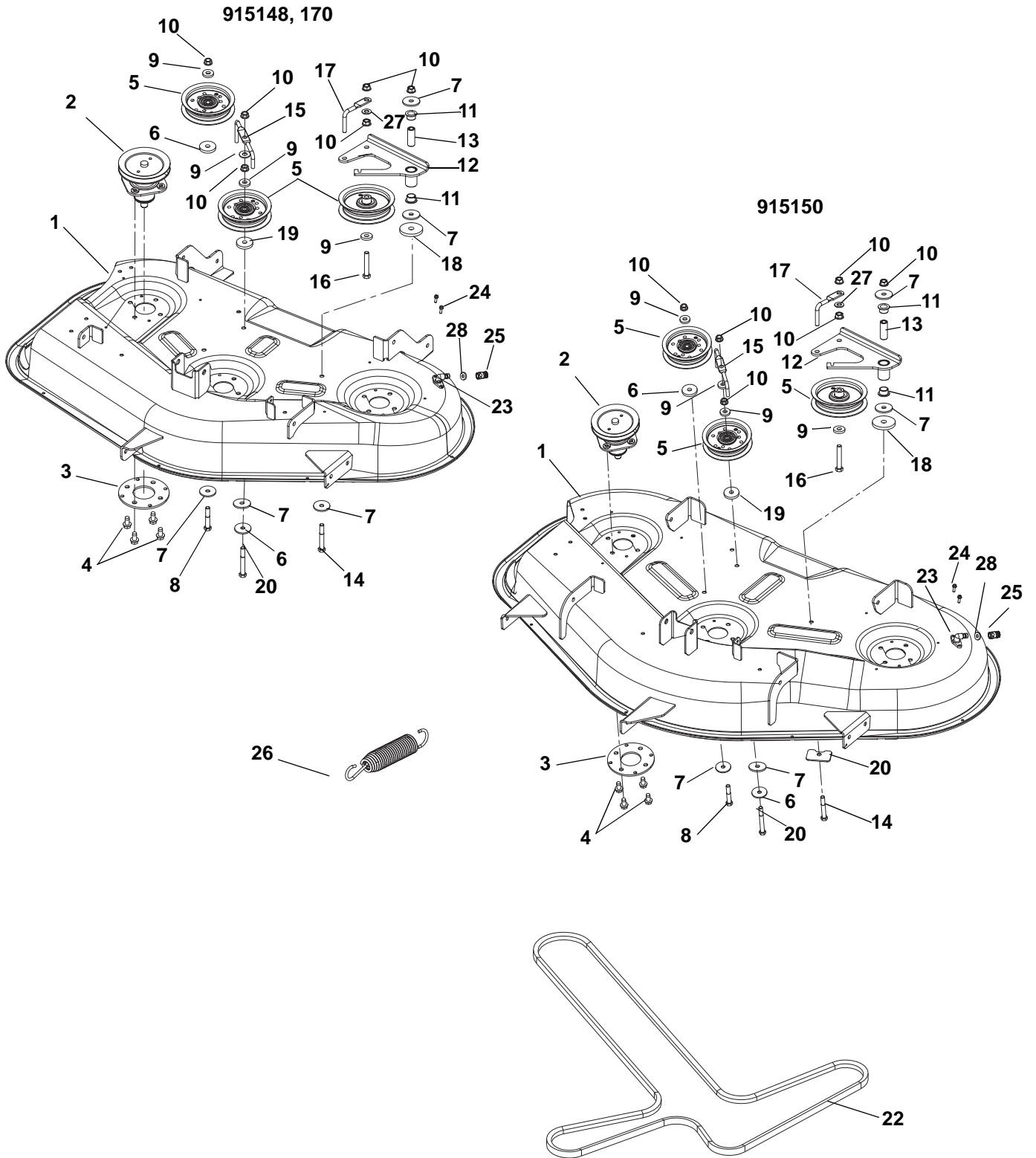
# MOWER DECK, BELT AND IDLERS

## Model 915146, 168

Item	Part No.	Qty.	Description
1	51525700	1	Kit, Gravely 34" Deck wtiH Decals
2	61559900	2	Assembly, Spindle
3	04430867	1	Weldment, Idler Arm
4	07300039	2	Assembly, Idler 4"
5	03828853	1	Wireform, Belt Finger
6	06542000	5	Nut, Locking Top Flange .38-16
7	03994300	1	Chute, Side Discharge
8	00662653	1	Chute Reinforcement
9	01258100	1	Spring, Torsion
10	06800002	1	Pin, 5/16 x 3.88"
11	06713500	1	Pin, Hair Internal .08 x .18 x 1.18
12	06400006	2	Washer, Flat Steel .406 x 1.50 x .245
13	06533500	1	Nut, Coupling .375-16 x 1.75
14	06534900	1	Nut, Spin Lock, Flange .375-16
15	05958500	1	Bolt, Hex .38-16 x 1.75
16	06435700	2	Washer, Flat Steel .38 x .875 x .083
17	05920900	2	Screw, Socket Head .31-18 x .75 Button Head
18	06543100	2	Nut, Locking Top Flange .31-18
19	03839053	2	Plate, REINF, Spindle
20	06443600	1	Washer, Flat Steel .469 x 2.00 x .25
21	06443400	5	Washer, Flat Steel .380 x 1.50 x .125
22	05957800	1	Bolt, Hex .38-16 x 3.00
23	06444000	3	Washer, Flat Steel .406 x 1.00 x .188
24	06435900	1	Washer, Flat Steel .438 x 1.00 x .083
25	03974153	1	Belt Finger
26	05500907	2	Bushing, Flange, .625 x .750 x .500 x 1.00
27	03763400	1	Spacer, .375ID x .625D x 1.66 Promaster
28	05962900	1	Bolt, Hex .38-16 x 2.25
29	06308800	1	Washer, Locking .38 x .094 Regular
30	05948700	1	Bolt, Hex .38-16 x 1.00
31	06436200	1	Washer, Flat Steel .406 x .812 x .065
32	05961400	1	Bolt, Hex .38-16 x 2.75
33	07415400	8	Screw, Tapping .38-16 x .75 Hex Washer Head Thread Rolling
34	08320300	1	Spring, Tension .135 x .98 x 6.0
35	07200116	1	V-Belt, HA-Wrapped Clutching

# MOWER DECK, BELT AND IDLERS

Model 915148, 150, 170





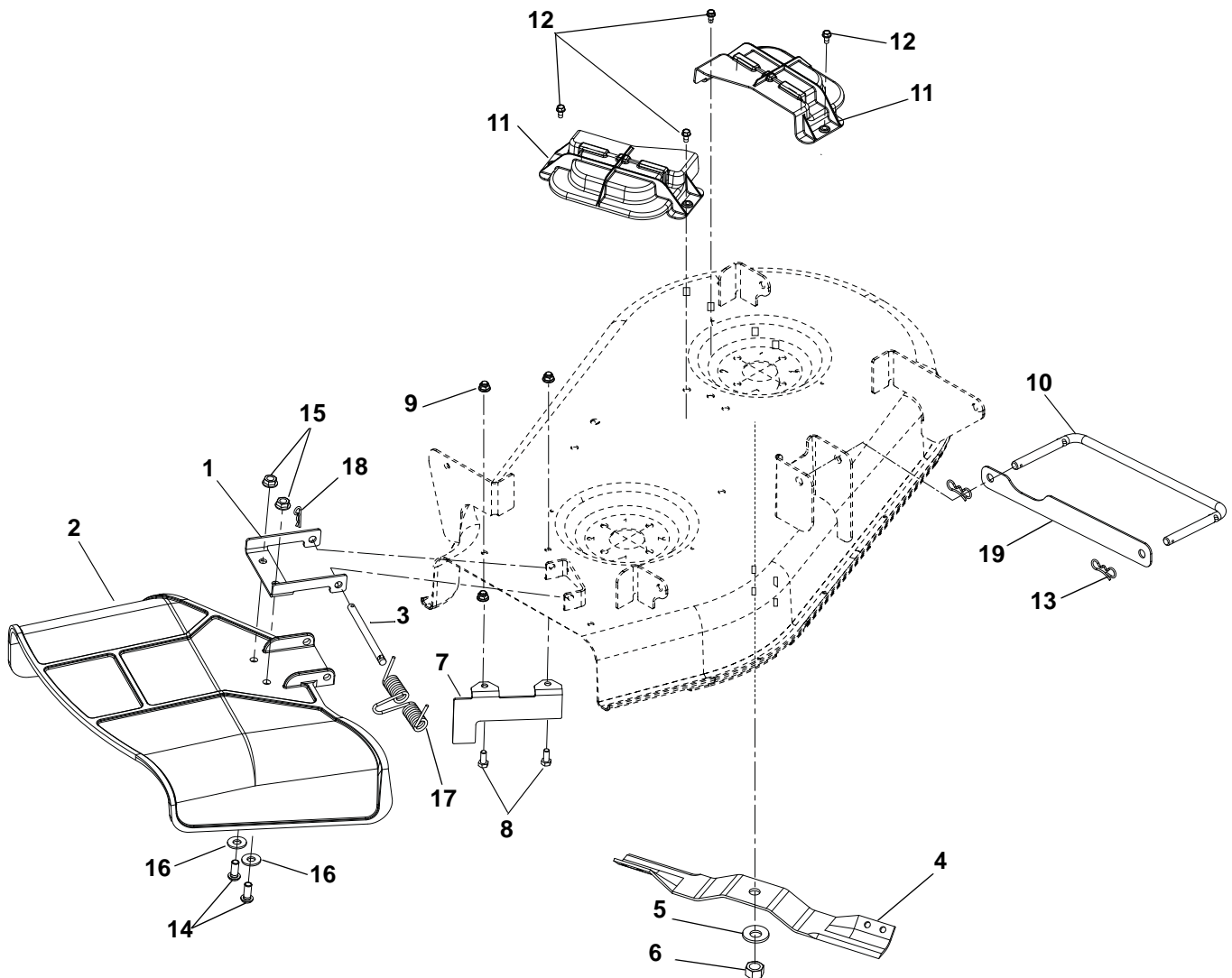
# MOWER DECK, BELT AND IDLERS

## Model 915148, 150, 170

Item	Part No.	Qty.	Description
1	51523800	1	Kit, Gravely 42" Deck with Decals (915148, 170)
	51523900	1	Kit, Gravely 50" Deck with Decals (915150)
2	51520900	3	Assembly, Spindle (915148, 170)
	51519500	3	Assembly, Spindle (915150)
3	03839053	3	Plate, Spindle
4	07415400	12	Screw, Tapping .38-16 x .75 Hex Washer Head
5	07300039	3	Assembly, Idler 4"
6	06400006	2	Washer, Flat Steel .406 x 1.50 x .245
7	06443400	5	Washer, Flat Steel .380 x 1.50 x .125 (915148, 170)
	06443400	4	Washer, Flat Steel .380 x 1.50 x .125 (915150)
8	05962900	1	Bolt, Hex .38-16 x 2.25
9	06444000	4	Washer, Flat Steel .406 x 1.00 x .188
10	06542000	5	Nut, Locking Top Flange .38-16
11	05500907	2	Bushing, Flange, .625 x .750 x .500 x 1.00
12	04430867	1	Idler Arm
13	03763400	1	Spacer, .375ID x .625 OD x 1.66
14	05957800	1	Bolt, Hex .38-16 x 3.00
15	03974153	1	Belt Finger
16	05962900	1	Bolt, Hex .38-16 x 2.25
17	03828853	1	Wireform Belt Finger
18	06443600	1	Washer, Flat Steel .469 x 2.00 x .25
19	06435900	1	Washer, Flat Steel .438 x 1.00 x .083
20	05961400	1	Bolt, Hex .38-16 x 2.75
21	04061053	1	Plate, Deck (915150)
22	07200523	1	V-Belt, 4L Wrapped (915148, 170)
	07200524	1	V-Belt, 4L Wrapped (915150)
23	04428900	1	Assy, Washout Port W/O Ring
24	07400103	2	Screw, Tapping .25-20 x .62 Hex Washer Head Thread Rolling
25	04396500	1	Coupling, Quick Disconnect
26	08320300	1	Extension Spring .135 x .98 x 6.0
27	06436200	1	Washer, Flat Steel .406 x .812 x .065
28	05600513	1	O-Ring .362 X .103 X .568

# BELT COVERS AND BLADES

Model 915146, 168



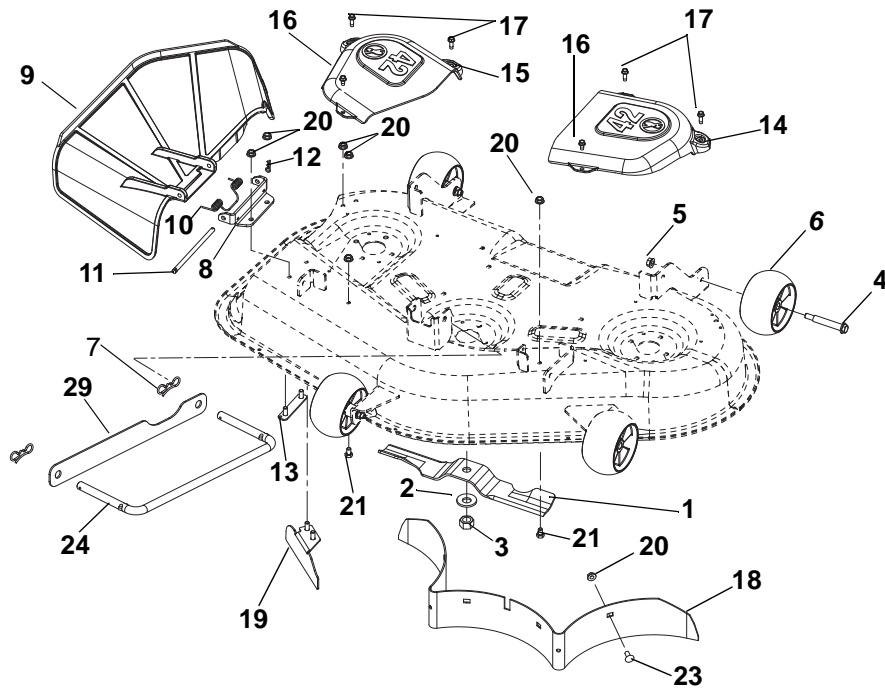
Item	Part No.	Qty.	Description
1	00662653	1	Chute Reinforcement
2	03994300	1	Molded Chute
3	06800002	1	Pin, 5/16 x 3.88"
4	03971900	2	Blade, Mower 17.35
5	06445700	2	Washer, Beveled .63 x 1.625 x .14
6	06500630	2	Nut, Hex .62-18
7	03779253	1	Bracket, Baffle Discharge 34"
8	05947000	2	Bolt, Hex .31-18 x .75
9	06545400	2	Nut, .31-18 Nyloc Flange
10	04377667	1	Wireform, Drag Link
11	04323800	2	Molded Cover, Belt
12	07400034	4	Screw, Tapping .25-20 x .50 Hex Washer Head
13	06700201	2	Pin, Bow Tie Locking Cotter .091 x 1.875
14	05920900	2	Screw, .31-18 x .75
15	06543100	2	Nut, Locking Top Flange .31-18
16	06435700	2	Washer, Flat Steel .38 x .875 x .083
17	01258100	1	Spring, Torsion
18	06713500	1	Pin, Hair .08 x .18 x 1.18
19	04424951	1	Strap, Drag Link

# NOTES

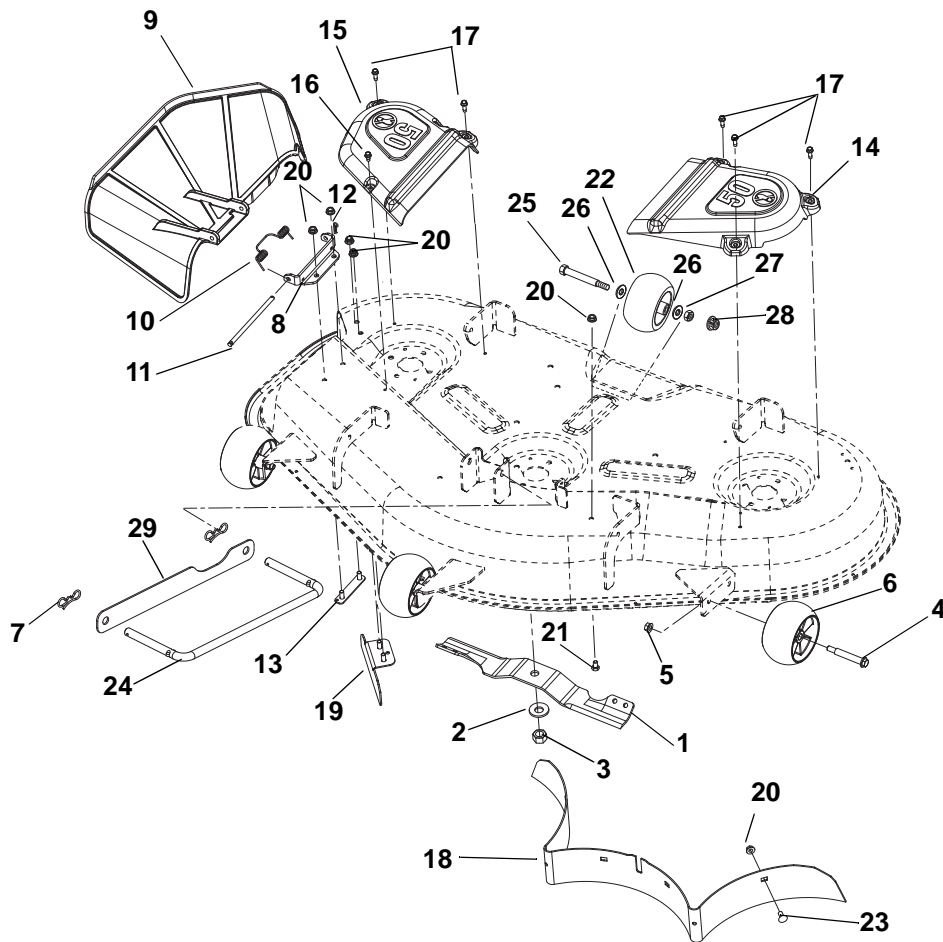
---

# BELT COVERS AND BLADES

Model 915148, 150, 170



915148, 170



915150

# BELT COVERS AND BLADES

---

## Model 915148, 150, 170

Item	Part No.	Qty.	Description
1	04265400	3	Mower Blade, 14.83" (915148, 170)
	03971900	3	Blade, Mower 17.35" (915150)
2	06445700	3	Washer, Bellville .63 x 1.625 x .14
3	06500630	3	Nut, Hex .62-18
4	07056800	3	Bolt, Shoulder .38-16 x 2.50 Hex Washer Head
5	06542000	3	Nut, Locking Top Flange .38-16
6	03905600	4	Anti-Scalp Wheel, 5 x 3 OS (915148, 170)
	03905600	3	Anti-Scalp Wheel, 5 x 3 OS (915150)
7	06700201	2	Pin, Bow Tie Locking Cotter .091 x 1.875
8	04073053	1	Bracket, Discharge Chute Mount 42" (915148, 170)
	04443153	1	Bracket, Discharge Chute Mount 50" (915150)
9	04375900	1	Discharge Chute – Molded
10	08300515	1	Spring, Torsion
11	00475800	1	Pin, 5/16 x 5.80"
12	06713500	1	Pin, Hair Internal .08 x .18 x 1.18
13	03977400	1	Weldment, Discharge Chute MT. Strap
14	03902200	1	Belt Cover, Left Hand 42" (915148, 170)
	03901900	1	Belt Cover, Left Hand 50" (915150)
15	03902100	1	Belt Cover, Right Hand 42" (915148, 170)
	03901800	1	Belt Cover, Right Hand 50" (915150)
16	07400034	2	Screw, Tapping .25-20 x .50 Hex Washer Head (915148, 170)
	07400034	1	Screw, Tapping .25-20 x .50 Hex Washer Head (915150)
17	07414200	4	Screw, Tapping .25-20 x .75 Hex Washer Head
18	03957853	1	Baffle, 42 Rear (915148, 170)
	04069053	1	Baffle, 50 Rear (915150)
19	04395453	1	Weldment – Baffle, Discharge 42" (915148, 170)
	03955953	1	Baffle, 50" Deflector (915150)
20	06543100	10	Nut, Locking Top Flange .31-18
21	05947200	2	Bolt, Hex .31-18 x .50
22	02745400	1	Roller (915150)
23	06220800	1	Bolt, Round Head Square Neck .31-18 x .75
24	04377667	2	Wireform, Drag Link
25	05960900	2	Bolt, Hex .38-16 x 3.50
26	06436200	2	Washer, Flat Steel .406 x .812 x .065
27	06537200	2	Nut, Locking Center Jam .375-16
28	06545500	1	Nut, Locking Nylon Flange .38-16
29	04424951	1	Strap, Drag Link



Gravelly  
655 West Ryan Street  
Brillion, WI 54110  
920-756-4688  
Fax 920-756-2407  
[www.gravelly.com](http://www.gravelly.com)

An *Ariens* Company Brand