

7.Safety Notices

1. Prohibit filling water form air outlet cover (water can only be filled form water tank cover).
2. Do not energize the humidifier when there's no water in water tank.
3. Do not scrap the atomizer with hard objects.
4. If the power cord is damaged,it must be replaced by appointed maintenance center for avoiding hazard.
5. Do not put the humidifier at the place where children can touch or in inclosed room.
6. If there's abnormal phenomenon (eg. scorch flavor, abnormal sound), please disconnected the power supply cord or cut off the house power immediatly, and then contact with Gree appointed maintenance center.
7. To reduce potential risk of electric shock, make sure that the power supply cord is disconnected when servicing, cleaning, filling the humidity with water or removing the humidifier.
8. Please hold the water tank firmly when removing it (eg.adding water) for avoiding hazard for personnel safety and product.
9. During operation,please do not touch the water in water channel or parts by any part of your body.
10. Please do not disassemble or repair the humidifier by yourself.
11. Please pay attention to the operation environment for the normal operation and to avoid unnecessary accidents:
 - (1) Humidifier should be placed at the flat and solid place to avoid the water overflowing out of the unit due to inclination.
 - (2) Humidifier should be placed far from the fire pot, fire place and other thermal source places and do not expose it to the sunlight directly.
 - (3) Humidifier should be placed far from furniture and electric appliances to avoid blowing the furniture and electric appliances directly, otherwise they will be moistened.
12. This appliance isn' t prepared for the handicapped or those persons with slow reaction or psychopathic problems (including children) to use, except that they are guided or helped by the safety responsible person.
- 13.Children should be supervised to guarantee that they won' t play with the appliance.
14. To reduce risks of fire, electric shock or injury to persons, carefully place the product on a steady flat and place the supply cord well so that the product is not likely to be upset.

8.Troubleshooting

If the humidifier can't operate normally, please check below items before asking for maintenance:

Phenomenon	Causes	Troubleshooting
Indicator is OFF, no fan and no mist	1. Power plug hasn't been inserted well 2. No power supply	1.Insert the power plug well 2.Put through the power supply
The red indicator is ON , no fan and no mist	Auto protection for lacking-water; No water or little water in water tank	Fill water tank with water
There's off-flavor in the mist	New humidifier	Open water tank cover and then put the water tank at shade place for 12 hours
	Water is dirty or water is stored in water tank for a long time	Clean water tank and water channel; fill water tank with clean water

Abnormal noise	Water tank resonance because of lacking water	Fill water tank with water
	Resonance with the table	Put the humidifier on solid table or ground for operation
Mist is overflowing around the air outlet cover	There's gap between air outlet cover and water tank.	It's the normal phenomenon. Immerse air outlet cover into water or it will disappear after operating for a moment.
There is water in the water tank, but water lacking is displayed (red lamp is on) and the unit doesn't work for a long time.	There is too much scale in the water softener or there is blockage caused by agglomeration of the substance in the water softener as the unit has not been used for a long time. The water can't flow into the water channel through the water softener.	Take out the water softener, dip it into clear water and wash it slightly (don't press the filter with hands)
The water flowed into the water channel is light yellow.	Influenced by the environment and water quality, the surface of the substance in the water softener may be corrupted by microbes and turn the water into yellow when the water passes by.	Dip the water softener into clear water and wash away the corrupted surface slightly.

Operation is subject to the following two conditions :(1)this device may not cause harmful interference, and(2)this device must accept any interference received,including interference that may cause undesired operation.

Changes or modifications not expressly approved by the party responsible for compliance could void the user's authority to operate the equipment.

NOTE: This equipment has been tested and found to comply with the limits for a Class B digital device, pursuant to Part 18 of the FCC Rules. These limits are designed to provide reasonable protection against harmful interference in a residential installation. This equipment generates, uses and can radiate radio frequency energy and, if not installed and used in accordance with the instructions, may cause harmful interference to radio communications. However, there is no guarantee that interference will not occur in a particular installation. If this equipment does cause harmful interference to radio or television reception, which can be determined by turning the equipment off and on, the user is encouraged to try to correct the interference by one or more of the following measures:

--Reorient or relocate the receiving antenna.

-- Increase the separation between the equipment and receiver.

-- Connect the equipment into an outlet on a circuit different from that to which the receiver is connected.

-- Consult the dealer or an experienced radio/TV technician for help.

The product is subject to change without notice.
The photos in this instruction may be different from the actual products, please refer to the actual products.



HUMIDIFIER

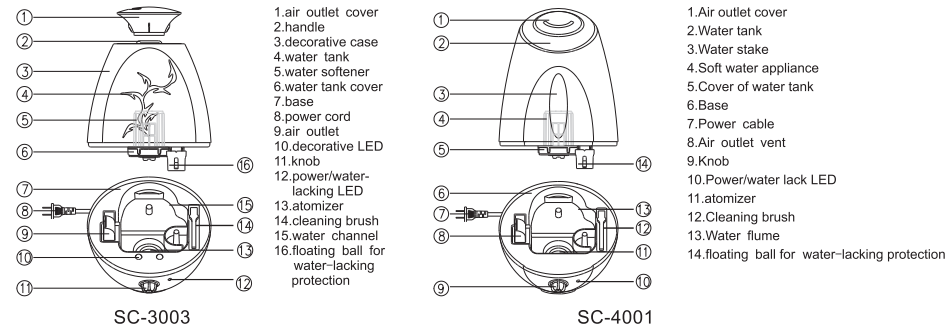
Model: SC-3003
SC-4001

INSTRUCTION MANUAL

READ AND SAVE THESE INSTRUCTIONS

Thank you for selecting Gree humidifier. Please read the instruction manual carefully before operation and operate the product according to this manual strictly.Please keep this instruction manual well for reference.

1. Structure and Spare Parts

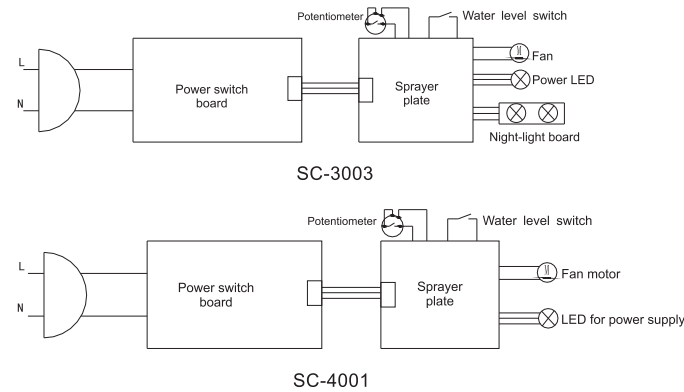


2. Specifications

Note: The following specification are subject to change without notices, please refer to the nameplate for reference.

Model	Rated voltage	Rated power	Water tank capacity	Humidifying volume	Noise
SC-3003	120V~ 60Hz	25W	3. 0L	300ml/h	≤35dB(A)
SC-4001	120V~ 60Hz	25W	4. 0L	300ml/h	≤35dB(A)
Accessories	cleaning brush, water softener, instruction manual				

3. Electric Circuit Diagram



4. Product Features

SC-3003

1. Night light; classic and hollowed-out figure used for humidifying and decoration.
2. Knob switch design, stepless mist volume adjustment for easy operation.
3. Glass-glazed ceramic atomized sheet for big and even mist.
4. Auto power off protection for lacking water and lifting the water tank, safe and reliable.
5. Advanced silencing technology for quiet operation.
6. Concealed handle design, elegant and convenient.
7. Equipped with water soften device, which reduces “white powder” and scale greatly.

SC-4001

- 1.Knob switch design, stepless mist volume adjustment, which is easy for operation.
- Glass-glazed ceramic atomized plate, whose atomized volume is big and even.
- Auto power off protection for lacking water and power off for lifting the water tank, safe and reliable.
- Advanced silencing technology, super-silence running.
- Designed with soft water appliance, which reduces the formation of “white powder” and scale greatly.

5. Operation Instructions

Operation instruction

1. When using the humidifier for the first time, please put it in the room temperature for half an hour before operation.
2. Suitable working environment for humidifier: 5℃-40℃; relative humidity: less than 80% RH.
3. Use the clear water which is less than 40℃.

Operation procedure:

SC-3003:

1. Remove air outlet cover and decorative case from water tank carefully.
2. Remove water tank from base carefully.
3. Open water tank cover, fill water tank with appropriate quantity of water, close the cover and then put the water tank on the base stably.
4. Put decorative case and air outlet cover on water tank. The air outlet cover can rotate 360℃ according to your requirement.
5. Rotate the knob clockwise to put through the power (prohibit turning on the unit when there's no water in water tank). Power indicator is in green color and humidifier start spraying mist.
6. Adjust knob to select suitable mist volume.
7. If power indicator is in red color during operation, please fill water tank with water.

SC-4001:

1. Take away the water tank from the base carefully, in order to avoid damaging.
2. Reelingly to open the cover of water tank, to fill tank up with water, then tighten the cover of water tank, smoothly put the water tank on the upper cover of base.
3. Put the air outlet cover on the water tank, according to the requirement, the air outlet cover could be adjusted with 360°turning.
4. Rotate the knob clockwise in order to be connected with power supply.(it is forbidden to turn on the power when there is no water inside), The green indicator is on , then the humidifier starts to spray.
5. Adjust knob for appropriate mist volume.
6. During working, if the LED turns red, water shall be added in order to continue working.

- 1.Description of the device operation: fill enough water into the water tank as described in user manual, plug on the power supply, turn the knob clockwise to start up the unit, mist will go out from top of the unit. Control the knob to acquire desired mist output volume. If the indicator light turns red, indicates water run out. Fill water into water tank and re-place the water tank will restart the unit.
- 2.Description of the circuitry in the device: Power input PCB as power supply, use transformer and diode to commutate and turn AC power into DC 36V and 12V output. 36V supply to the transducer, 12V supply to the blower fan, the transducer make water into mist, the blower fan blow mist out of the unit to humidify the air. The circuit is constructed with power input PCB, transducer, resistor, Reed Switch, Blower Fan, Indicator LED light and decorative LED light group.
- 3.Description of the antenna and ground system: This device has no antenna and ground system.

6. Maintenance

The water quality is hard in some areas and is rich in calcium and magnesian ions. After using the humidifier for a period, scale will be formed easily and attached on surface of water tank and atomizer, which will affect the humidifying effect. In order to use this series product properly, please pay attention to below suggestion:

1. Make sure power supply is disconnected before the operations,Use the purified water.
2. Clean atomizer, water tank and water channel every week.
3. Replace the water in water tank frequently.
4. If the humidifier won't be used for an extended period of time, clean all parts, wipe them up, and then put them in carton box.
5. After the water softener is operated for a consecutive month (depending on the water quality), the working efficiency will be decreased. Therefore, the water softener must be reconditioned for operation.

Cleaning method for atomizer:

1. Inject 10ml acetum on the surface of the atomizer (add or reduce acetum according to the scaling status) and immerse the atomizer for 2-5mins.
2. Scrub the surface of the atomizer with the cleaning brush gently until the scale is removed.
3. Wash the surface of atomizer with clear water.

Cleaning method for water tank:

1. Add 5-10 drops of acetum or common cleanser in water tank, and then fill water to 1/4 of water tank.
2. Tighten water tank cover, shake water tank from left to right and then wash it with clean water.

Cleaning method for water channel:

1. If there's scale in water tank, please wipe it soft cloth dipped with acetum.
2. Wash water tank with clean water.

Reconditioning method for water softener:

1. Get a container and fill it with saturated salt water (add the purified water or tap water with salt until the salt can't be melted any more)
2. Put the water softener into the saturate salt water for consecutive 24 hours.
3. Take out the water softener and then wash it with water.