



DT-07

User Guide

Contents

<i>Copyright</i>	3
<i>Disclaimer</i>	3
<i>Regulatory Information</i>	4
<i>Safety Information</i>	6
<i>Getting Started</i>	7
Device Overview	7
Installing and Removing the Battery	9
Battery Charging	9
LED Status Description	10
Powering the Device On and Off	10
Suspending the Device	11
<i>Using the Device</i>	12
Viewing System Information	12
Using Wi-Fi	12
Using Bluetooth	12
Using NFC	13
Adjusting Display Settings	13
Changing Language	13
Adjusting Date & Time	14
Performing System Backup	14
Performing System Restore	14
Resetting the Device	15

Copyright

Copyright©2014 Group Sense Mobile-Tech Limited. All rights reserved.

No part of this document may be reproduced, distributed, translated, or stored in any form without the prior written permission of Group Sense Mobile-Tech Limited. All brands and product names mentioned herein may be trademarks or registered trademarks of their respective owners. Product specifications are subject to change without prior notice.

Disclaimer

The contents of this document are provided as is. Group Sense Mobile-Tech Limited makes no representations or warranties with respect to the contents herein and specifically disclaims any express or implied warranties of merchantability or fitness for any particular purpose. Group Sense Mobile-Tech Limited reserves the right to revise this document at any time without prior notice.

Regulatory Information

FCC Statement

This equipment complies with Part 15 of the FCC Rules. Operation is subject to the following two conditions: (1) This device may not cause harmful interference, and (2) this device must accept any interference received, including interference that may cause undesired operation. Changes or modifications not expressly approved by the party responsible for compliance could void the user's authority to operate the equipment.

This equipment has been tested and found to comply with the limits for a Class B digital device, pursuant to part 15 of the FCC Rules. These limits are designed to provide reasonable protection against harmful interference in a residential installation. This equipment generates uses and can radiate radio frequency energy and, if not installed and used in accordance with the instructions, may cause harmful interference to radio communications. However, there is no guarantee that interference will not occur in a particular installation. If this equipment does cause harmful interference to radio or television reception, which can be determined by turning the equipment off and on, the user is encouraged to try to correct the interference by one or more of the following measures:

- Reorient or relocate the receiving antenna.
- Increase the separation between the equipment and receiver.
- Connect the equipment into an outlet on a circuit different from that to which the receiver is connected.
- Consult the dealer or an experienced radio/TV technician for help

The FCC permits a maximum SAR value of 1.6 W/kg averaged over one gram of tissue. For body worn operation, this device has been tested and meets the FCC RF exposure guidelines when used with an accessory that contains no metal. The highest SAR value of this device (FCC ID: VRI-B195), tested for typical body worn operation, is 0.495 W/kg. Use of other accessories may not ensure compliance with FCC RF exposure guidelines.

CE Statement

Hereby, Group Sense Mobile-Tech Limited declares that this device is in compliance with the essential requirements and other relevant provisions of Directive 1999/5/EC.

CE 0700

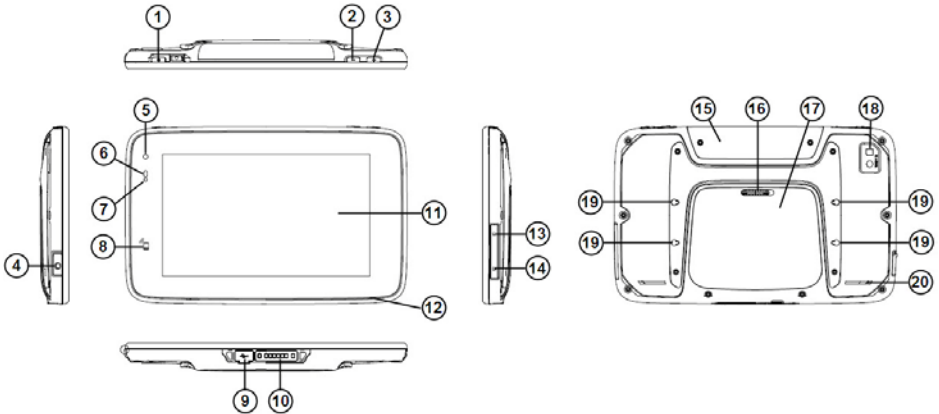
Safety Information

Please read the following information carefully before using the device for the first time, and keep this User Guide in a safe place for future reference.

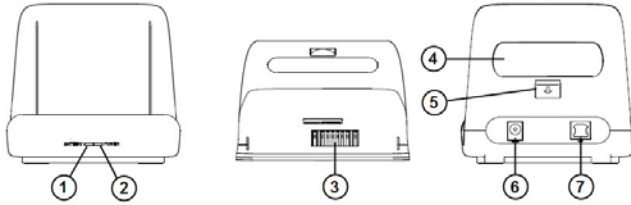
- Always treat the device with care and keep it in a clean and dust-free environment.
- Do not expose the device to extremely hot, cold or humid environment. The operation temperature is from -10°C to 50°C .
- Do not use the device in wet or rainy conditions.
- Do not charge the device in extremely hot ($> 40^{\circ}\text{C}$) or cold conditions ($< 0^{\circ}\text{C}$).
- Do not attempt to disassemble or modify the device including the charger.
- Do not operate the device when your hands are wet.
- Do not insert foreign objects into the openings of the device.
- Use only the adaptor and battery approved for the device.
- The adapter shall be installed near the device and shall be easily accessible.
- Do not use the adaptor if the power cord or plug is damaged.
- Install the cradle on a flat and stable surface.
- Do not disassemble, crush or puncture the battery.
- Do not expose the battery to high temperatures.
- Do not let battery terminals touch other metal objects that could lead to short-circuit of the battery.
- Do not dispose of the battery in fire or water.
- Dispose of used battery properly according to local laws and regulations.
- The device shall only be connected to a USB interface of version 2.0 or higher. The connection to so called power USB is prohibited.

Getting Started

Device Overview



No.	Item	Description
1	Power key	Press and hold to turn device on or off If the device is on, press to suspend
2	Volume down key	Press to decrease volume
3	Volume up key	Press to increase volume
4	Earphone jack	Open the cover to access the earphone jack
5	Front camera	2MP camera
6	Ambient light sensor	Auto screen brightness control
7	Power LED	Power status indicator
8	NFC reader	Scanning area for NFC tags
9	USB connector	Open the cover to access the micro-USB connector
10	Cradle contact plates	Contact plates for charging and USB connectivity through the cradle
11	Touch screen	LCD with capacitive touch screen
12	Microphone	Built-in microphone
13	SIM card slot	Open the cover to access the SIM card slot
14	MicroSD card slot	Open the cover to access the MicroSD card slot
15	Expansion slot cover	Remove the cover for the add-on module connection
16	Battery cover lock	Slide right to unlock the battery cover
17	Battery cover	Remove the battery cover to access the battery
18	Rear camera	5MP camera with LED flash
19	Handstrap mounting point	To attach the handstrap
20	Speaker	Mono speaker



No.	Item	Description
1	Spare battery LED	Spare battery charging status indicator
2	Power LED	Cradle power connection indicator
3	Contact plates	Contact plates for charging and USB connectivity
4	Battery slot	To charge spare battery
5	Battery release button	Press to release the spare battery
6	DC jack	Connect AC/DC Adaptor
7	USB connector	Connect USB cable

Installing and Removing the Battery

Installing the Battery

1. Align the battery metal contacts with the contact pins inside the battery compartment.
2. Press the battery down until the battery lock clicks into place.
3. Ensure the battery cover lock is in unlock position. Align the battery cover with the battery compartment; and push the battery cover down.
4. Slide left the battery cover lock to lock the cover.

Removing the Battery

Note: Always power off the device before removing the battery.

1. Slide the battery cover lock left until the battery cover ejects slightly.
2. Remove the battery cover.
3. Slide the battery lock down and hold it at the unlocked position.
4. Lift the battery from the battery compartment.

Battery Charging

Charging the Device

1. Connect the AC/DC adaptor to the DC jack of the cradle.
2. Plug the AC/DC adaptor into a suitable power socket. The cradle power LED will turn green when power is supplied to the cradle.
3. Insert the device to the cradle slot. The device LED will indicate red while charging, and then it will turn green when fully charged.

Charging the Spare Battery

1. Align the battery metal contacts with the contact plates of the battery slot.
2. Slide the battery down the battery slot until the battery clicks into place. The cradle battery LED will turn red while charging, and then it will turn green when fully charged.

3. After charging, press the battery release button to eject the battery.

LED Status Description

Device LED

LED colour	Description
Red	Charging
Green	Fully charged / Battery level above the user defined threshold
Flashing red	Battery low

Cradle Power LED

LED colour	Description
Green	Cradle is powered on
Off	Cradle is powered off

Cradle Battery LED

LED colour	Description
Red	Spare battery is charging
Green	Spare battery is fully charged
Off	Battery slot is empty

Powering the Device On and Off

Powering on the Device

Press and hold the Power key for 2 seconds to power on the device.

Note: The device can only power on when the battery cover is closed.

Powering off the Device

Press and hold the Power key for 2 seconds, and follow the screen instructions to power

off the device.

Suspending the Device

If the device is on, press the Power key once to suspend the device (i.e. entering sleep mode), saving battery power.

To resume operation from sleep mode, press the Power key once.

Using the Device

Viewing System Information

1. Select **Application drawer > Settings > About tablet**
2. Scroll to view model number, serial number, software version etc.

Using Wi-Fi

Connecting to WLAN

1. Select **Application drawer > Settings > Wi-Fi**.
2. Slide the Wi-Fi On/Off switch to the ON position.
3. Select the required AP on the right pane.
4. Input the password when prompted. Select **Lock Single Network** checkbox, and select **Connect**.
5. To perform advanced settings, select **Menu > Advanced**.

Using Bluetooth

Connecting to a Bluetooth Device

1. Select **Application drawer > Settings > Bluetooth**.
2. Slide the Bluetooth On/Off switch to the ON position.
3. Select **SEARCH FOR DEVICES**.
4. Select the required device under **AVAILABLE DEVICES**.
5. Input PIN when prompted to pair.

Using NFC

1. Select **Application drawer > Settings > More**.
2. Select NFC checkbox to turn on NFC.

Note: Position the tag within 2mm of the NFC reader area to ensure successful scans.

Adjusting Volume

1. Select **Application drawer > Settings > Sound > Volumes**.
2. Drag the slide bar to adjust the volume, and select **OK** to exit.

Adjusting Display Settings

Adjusting Brightness

1. Select **Application drawer > Settings > Display > Brightness**.
2. Drag the slide bar to adjust the backlight, or select **Automatic brightness** checkbox for auto brightness adjustment. Select **OK** to exit.

Enabling Auto-rotate screen

1. Select **Application drawer > Settings > Display > Auto-rotate screen**.
2. Select the checkbox, and select **OK**.

Adjusting Screen timeout

1. Select **Application drawer > Settings > Display > Sleep**.
2. Select the idle period before the screen turns off and enters sleep mode.

Changing Language

1. Select **Application drawer > Settings > Language & input**
2. Select **Language**.
3. Select a language.

Adjusting Date & Time

1. Select **Application drawer > Settings > Date & time.**
2. To set the date and time manually, adjust **Set date**, **Set time**, and **Select time zone** accordingly.

Performing System Backup

1. Select **Application drawer > System Backup.**
2. Select the **Backup** button.
3. Select the location to save the backup from **Backup Location** drop down menu.
4. Select backup data option from **Backup selection** drop down menu.
5. To restore the back up image on current device only, select **Need to match serial no.** checkbox.
6. Select **Start.**

Note: Close all active programs before performing backup or restore.

Performing System Restore

1. Insert the MicroSD card first if backup image is saved externally.
2. Select **Application drawer > System Backup.**
3. Select the **Restore** button.
4. Select the backup image location from **Backup Location** drop down list.
5. Select the backup image file from **Restore content.**
6. Select **Start.**

Note: Restore will overwrite all existing data in the system.

Resetting the Device

Clean Reset

Clean reset restores the system to factory default by erasing all installed applications, settings and data. To perform a clean reset:

1. Select **Application drawer > Settings > Backup & reset.**
2. Select **Factory data reset.**

Note:

Clean reset will not erase the data in the internal SD card partition. To erase the internal SD card contents, select **Application drawer > Settings > Storage > Erase device storage.**

Copyright©2014 Group Sense Mobile-Tech Limited.

All rights reserved.

<http://www.gsml.com.hk>