



DT-10

User Guide

Contents

Copyright.....	3
Disclaimer	3
Safety Information.....	4
Getting Started	5
Device Overview.....	5
Charging the Device	6
Powering the Device On and Off.....	6
Suspending the Device.....	6
Using the Device	7
Using Wi-Fi	7
Using Cellular	7
Using Bluetooth	7

Copyright

Copyright©2016 Group Sense Mobile-Tech Limited. All rights reserved.

No part of this document may be reproduced, distributed, translated, or stored in any form without the prior written permission of Group Sense Mobile-Tech Limited. All brands and product names mentioned herein may be trademarks or registered trademarks of their respective owners. Product specifications are subject to change without prior notice.

Disclaimer

The contents of this document are provided as is. Group Sense Mobile-Tech Limited makes no representations or warranties with respect to the contents herein and specifically disclaims any express or implied warranties of merchantability or fitness for any particular purpose. Group Sense Mobile-Tech Limited reserves the right to revise this document at any time without prior notice.

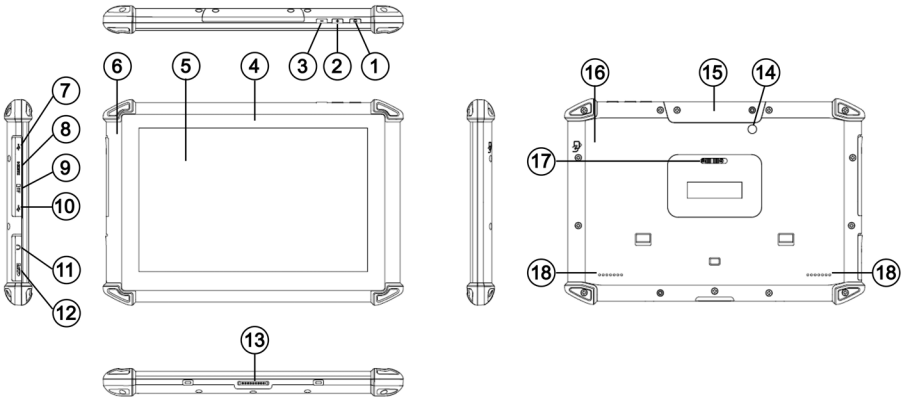
Safety Information

Please read the following information carefully before using the device for the first time, and keep this User Guide in a safe place for future reference.

- Always treat the device with care and keep it in a clean and dust-free environment.
- Do not expose the device to extremely hot, cold or humid environment. The operation temperature is from -30°C to 60°C .
- Do not use the device in wet or rainy conditions.
- Do not charge the device in extremely hot ($> 40^{\circ}\text{C}$) or cold conditions ($< 0^{\circ}\text{C}$).
- Do not attempt to disassemble or modify the device including the charger.
- Do not operate the device when your hands are wet.
- Do not insert foreign objects into the openings of the device.
- Use only the adaptor and battery approved for the device.
- The adapter shall be installed near the device and shall be easily accessible.
- Do not use the adaptor if the power cord or plug is damaged.
- Do not disassemble, crush or puncture the battery.
- Do not expose the battery to high temperatures.
- Do not let battery terminals touch other metal objects that could lead to short-circuit of the battery.
- Do not dispose of the battery in fire or water.
- Dispose of used battery properly according to local laws and regulations.
- The device shall only be connected to a USB interface of version 2.0 or higher. The connection to so called power USB is prohibited.

Getting Started

Device Overview



No.	Item	Description
1	Power key	Press and hold to turn device on or off If the device is on, press to suspend
2	Volume up key	Press to increase volume
3	Volume down key	Press to decrease volume
4	Front camera	2MP camera
5	Touch screen	LCD with capacitive touch screen
6	Microphone	Built-in microphone
7	Micro-USB port	Charging only
8	HDMI port	HDMI output
9	MicroSD slot	MicroSD card slot
10	USB port	USB host
11	Earphone jack	Connect a stereo earphone
12	SIM card slot	MicroSIM card slot
13	Docking contact plates	For charging and USB connectivity through the docking
14	Rear camera	5MP camera
15	Extension port cover	Remove the cover to access the extension port. External module connection.
16	NFC reader	Scanning area for NFC tags
17	Handstrap lock	Lock and unlock the handstrap
18	Speaker	Dual speakers

Charging the Device

Charging with the AC/DC adaptor

1. Connect the Micro-USB cable into the AC/DC adaptor.
2. Connect the Micro-USB cable to the Micro-USB port of the device.
3. Plug the AC/DC adaptor into a suitable power socket, and fully charge the device.

Charging with the Docking

1. Insert and lock the device in the docking slot.
2. Connect the power cable to the power connector of the docking.
3. Plug the power cable into a suitable power socket.

Powering the Device On and Off

Powering on the Device

Press and hold the Power key for 2 seconds to power on the device.

Powering off the Device

Press and hold the Power key for 2 seconds, and follow the screen instructions to power off the device.

Suspending the Device


If the device is on, press the Power key once to suspend the device (i.e. entering sleep mode), saving battery power.

To resume operation from sleep mode, press the Power key once.

Using the Device


Using Wi-Fi

To connect to a WLAN:

1. Select **Start**  > **Settings** > **Network & Internet** > **Wi-Fi**.
2. Slide the Wi-Fi On/Off button to the On position.
3. Select an AP from the list, and click **Connect**.
4. Input the network key when prompted.


Using Cellular

To connect to a cellular network:

1. Power off the device.
2. Insert a SIM card into the SIM card slot.
3. Power on the device.
4. Select **Start**  > **Settings** > **Network & Internet** > **Cellular**.
5. Click the cellular network, and select **Advanced options**.
6. Click + to add an Internet APN, and save the settings.

Using Bluetooth

To connect to a Bluetooth Device:

1. Select **Start**  > **Settings** > **Devices** > **Bluetooth**.
2. Slide the Bluetooth On/Off button to the On position.
3. Select a device from the list, and click **Pair**.
4. Enter the passcode to pair.

Any Changes or modifications not expressly approved by the party responsible for compliance could void the user's authority to operate the equipment.

This device complies with part 15 of the FCC Rules. Operation is subject to the following two conditions: (1) This device may not cause harmful interference, and (2) this device must accept any interference received, including interference that may cause undesired operation.

Note: This equipment has been tested and found to comply with the limits for a Class B digital device, pursuant to part 15 of the FCC Rules. These limits are designed to provide reasonable protection against harmful interference in a residential installation. This equipment generates, uses and can radiate radio frequency energy and, if not installed and used in accordance with the instructions, may cause harmful interference to radio communications. However, there is no guarantee that interference will not occur in a particular installation. If this equipment does cause harmful interference to radio or television reception, which can be determined by turning the equipment off and on, the user is encouraged to try to correct the interference by one or more of the following measures:

- Reorient or relocate the receiving antenna.
- Increase the separation between the equipment and receiver.
- Connect the equipment into an outlet on a circuit different from that to which the receiver is connected.
- Consult the dealer or an experienced radio/TV technician for help.

FCC Radiation Exposure Statement:

This equipment has been tested and compliance with SAR standard.

This transmitter must not be co-located or operating in conjunction with any other antenna or transmitter.

Copyright©2016 Group Sense Mobile-Tech Limited.

All rights reserved.

<http://www.gsml.com.hk>