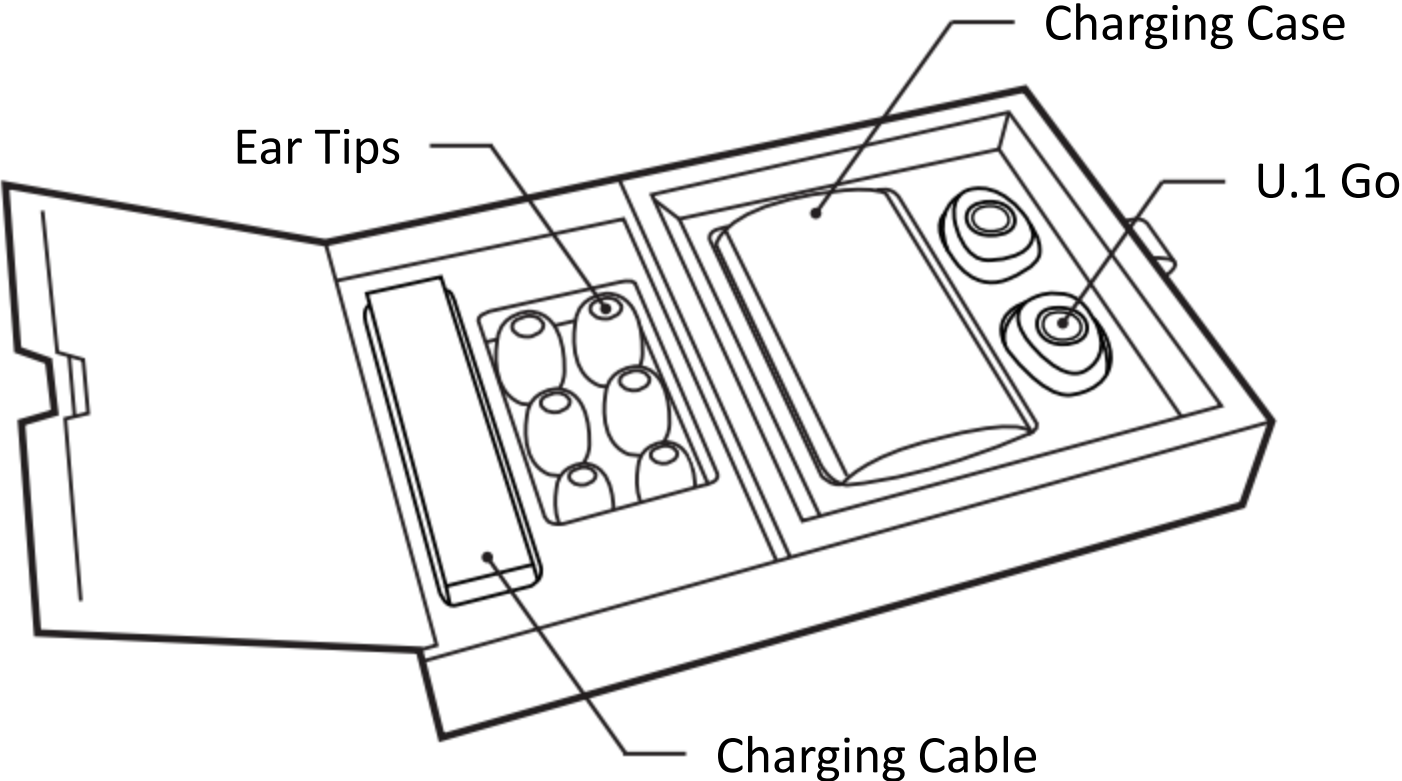


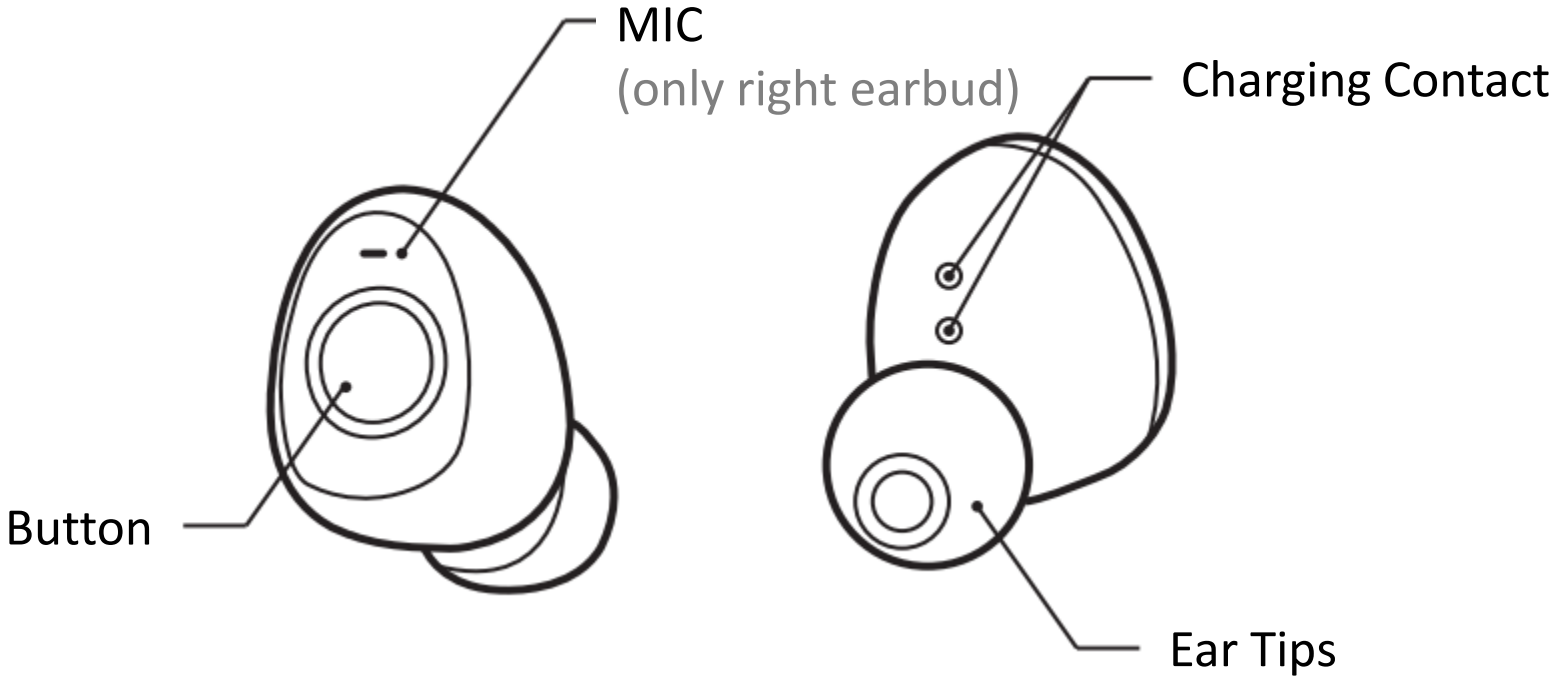
HeyGears U1 Go

Instructions

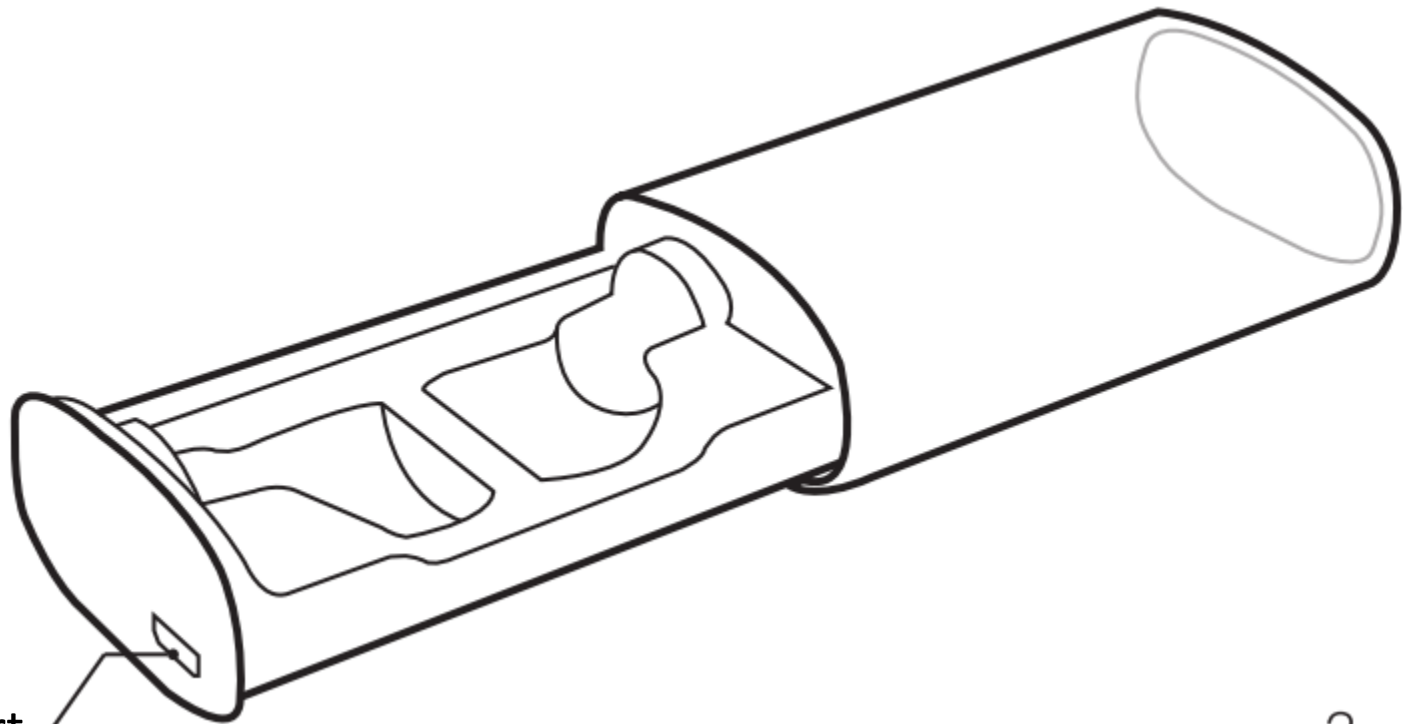
Packing List



Earbuds Schematic



Charging Case Schematic



Terminal port

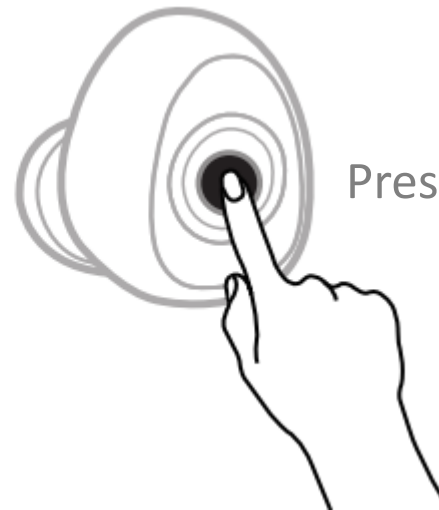
Earbuds Pairing

Condition	Operation Guide
Pair for the first time	U.1 Go enters pairing search mode automatically when turned on. You can choose "U.1 Go" from the list of available Bluetooth devices on your phone/PC.
Pair with the latest device	U.1 Go connects to the latest paired device automatically when turned on.
Pair with a new device	Firstly, turn off U.1 Go. Secondly press the right earbuds for 5 seconds to turn it on. Finally, choose U.1 Go from the available Bluetooth devices on the new device.

Turn on
Press button ○



Turn off
Press button ○ for 2S



Wear Description

Notice the signs on the earbuds——L represents left ear, R represents right ear:

Front



Side

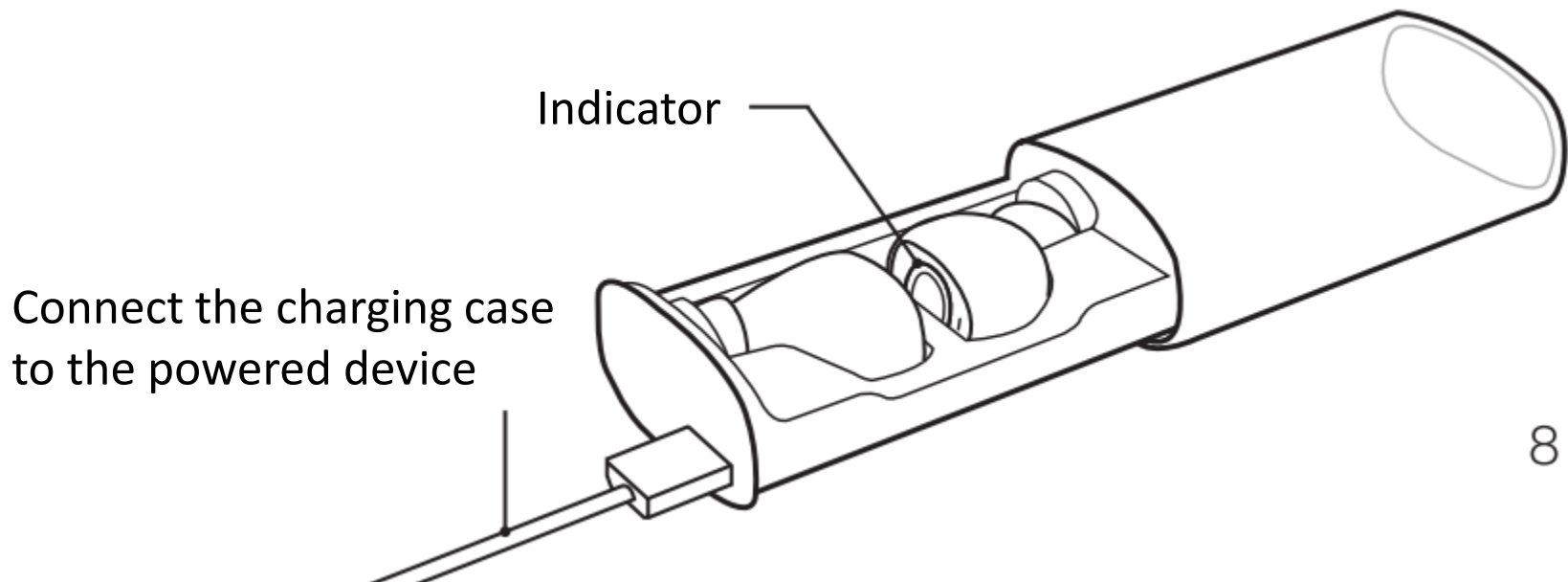


Operations

Conditions	Features	Operations
Making a phone call	Answer	When having income call, press the button of right earbud.
	Reject	When having income call, long press the button of right earbud.
	Hang up	When in the call, long press the button of right earbud.
Playing music	Play	After opening the music APP, press the button of right ear.
	Stop	When playing music, one-press on the right ear.
	Next	When playing music, double-press on the button of the right ear.

Earbuds Charging

- 1、 Put the earbuds in the charging case.
- 2、 Connect the charging case to the device which can offer power using a charging cable. (such as: PC/power bank) 。
- 3、 The earbuds is being powered when the indicators on left and right earbuds are on.



FCC Warning

This device complies with Part 15 of the FCC Rules. Operation is subject to the following two conditions: (1) this device may not cause harmful interference, and (2) this device must accept any interference received, including interference that may cause undesired operation.

Changes or modifications not expressly approved by the party responsible for compliance could void the user's authority to operate the equipment.

This device has been tested and found to comply with the limits for a Class B digital device, pursuant to part 15 of the FCC Rules.

These limits are designed to provide reasonable protection against harmful interference in a residential installation.

This equipment generates, uses and can radiate radio frequency energy and, if not installed and used in accordance with the instructions, may cause harmful interference to radio communications.

However, there is no guarantee that interference will not occur in a particular installation. If this equipment does cause harmful interference to radio or television reception, which can be determined by turning the equipment off and on, the user is encouraged to try to correct the interference by one or more of the following measures:

- Reorient or relocate the receiving antenna.
- Increase the separation between the equipment and receiver.
- Connect the equipment into an outlet on a circuit different from that to which the receiver is connected.
- Consult the dealer or an experienced radio/TV technician for help.