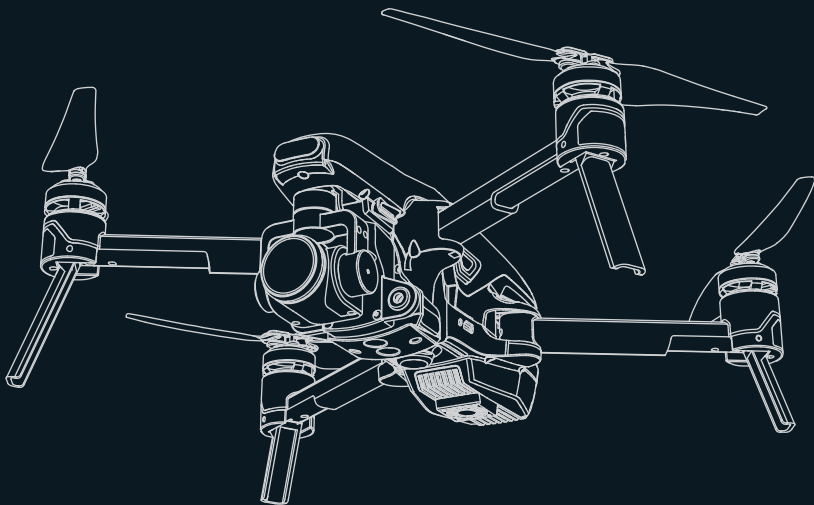


VITUS

QUICK START GUIDE **V1.0**

Apr. 28th, 2017

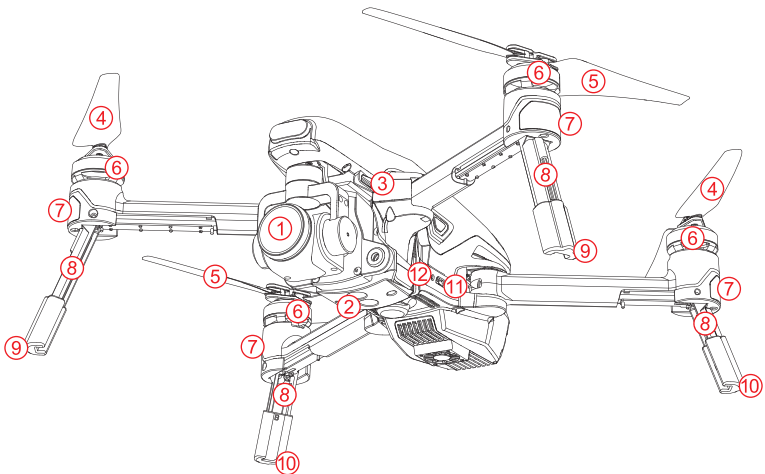


Contents

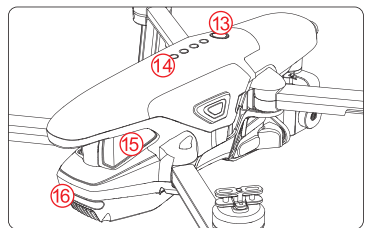
| | |
|--|-------|
| 1.0 Get to know your aircraft | 3 |
| 2.0 Get to know your remote controller | 4 |
| 3.0 Specifications | 5 |
| 4.0 Attention before flight | 6 |
| 5.0 Charging | 6 |
| 6.0 Downloading/Installing Game App Walkera GO & Operation App Walkera Drone | 6 |
| 7.0 Walkera Drone Operating Main Interface Instructions | 7 |
| 8.0 Walkera GO Game Main Interface Instruction | 8 |
| 9.0 Prepare Aircraft | 8 |
| 10.0 Prepare Remote Controller | 9 |
| 11.0 Read for Flight | 9 |
| 11.1 Aircraft Starting/Code-matching | 9 |
| 11.2 APP Connection | 9-10 |
| 11.3 GPS Indicator Lights | 10 |
| 11.4 Motor Unlock/Lock | 10 |
| 12.0 Flight Control | 11-15 |
| 13.0 End flight | 15 |
| 14.0 Additional Instruction | 16 |
| 14.1 Compass Calibration | 16 |
| 14.2 Brushless ESC and Brushless Motor connection diagram | 16 |
| 14.3 Stick Mode Switch, Stick Calibration & Fixed ID | 17 |
| 15.0 Instruction of Intelligent flight battery Safety | 18 |
| 16.0 In the Box / List of Articles | 19 |

1.0 Get to know your aircraft

- Modular gadget design is used for simple connection & assembly.
- Foldable design is employed to greatly improve compactness without compromising quality and function.
- More accurate and safe flight is achieved using GPS/GLONASS dual-satellite positioning & navigation system.
- 5.8G WiFi digital video transmission system is used.
- Integrated gimbal camera is capable of stably shooting 4K high-definition videos.



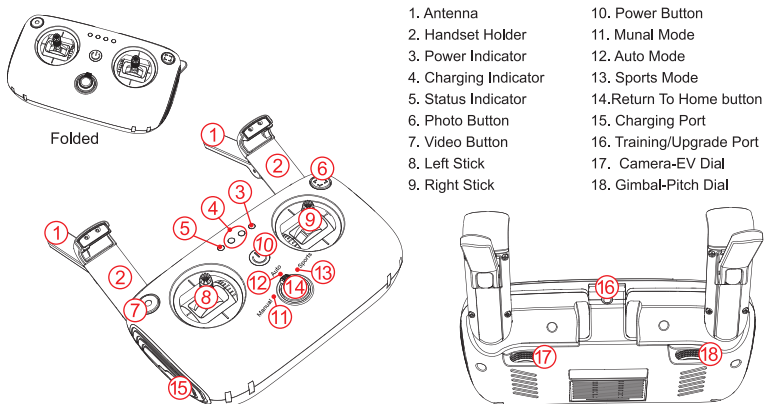
- | | |
|-----------------------|------------------------------|
| 1. Gimbal and Camera | 9. Stand cushion(A) |
| 2. Optical low system | 10. Stand cushion(B) |
| 3. Micro SD card slot | 11. Upgrade port (Micro USB) |
| 4. CCW propeller(⚙) | 12. Reset key |
| 5. CW propeller(⚙) | 13. Power button |
| 6. Brushless motor | 14. Battery level indicators |
| 7. Indicator light | 15. Smart flight battery |
| 8. Landing gear | 16. Status indicator |



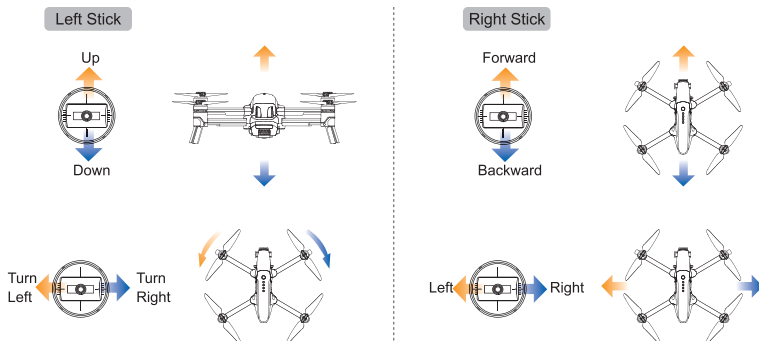
- * 1) Maximum time for flight under an experimental environment is 25 minutes subject to real conditions.
- 2) To avoid property loss and personal injury caused by wrong operation, please read the manual carefully and watch the tutorial video at www.walkera.com before using VITUS.

2.0 Get to know your remote controller

DEVO F8S is in-built with a ground receiving terminal of 5.8G WiFi digital video transmission system, which can achieve a real-time display of high-definition picture on a mobile device by using Walkera Drone APP, with a foldable handle capable of stably placing mobile devices.



Take “left-hand throttle (MODE 2)” as an example. The left rocker controls the aircraft’s altitude and heading, while the right rocker controls its forward, backward, left and right movements.

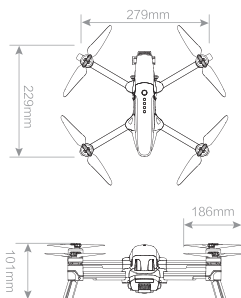


- * 1) MODE 2 (Throttle stick on the left): Left stick—THRO/RUDD; Right stick—ELEV/AILE.
- 2) MODE 1 (Throttle stick on the right): Left stick—ELEV/RUDD; Right stick—THRO/AILE.
- 3) Maximum communication distance under an experimental environment is 1500 meters subject to real conditions.

3.0 Specifications

• Aircraft

| | |
|----------------------|--|
| Main Rotor Dia.: | 186mm |
| Overall (L x W x H): | 229 x 279 x 101mm |
| Weight: | 890g(batteries included) |
| Remote Controller: | DEVO F8S |
| Main board: | VITUS 320 |
| Brushless Motor: | WK-WS-28-017A |
| Brushless ESC: | VITUS 320 |
| Battery: | 11.4V 5200mAh LiPo 3S |
| Flight Time: | 21minutes for positioning flight (with10% battery level residual) 25 minutes for ultimate flight |
| Working temperature: | -10℃~+40℃ |



• Gimbal

| | |
|--------------------------|------------------|
| Controllable turn range: | -90°~ +45° pitch |
|--------------------------|------------------|

• Camera

| | |
|----------------------------------|---|
| Image Sensor: | SONY: 1/2.3" CMOS; pixel 1600W |
| Lens: | FOV 95° (b/w); 3.8mm; f/2.8 aperture |
| ISO Scope: | 100-12800 |
| E-shutter: | 1/30-1/8000 |
| Photo resolution: | 5376x3024(1600W) / 4608x2592(1200W) / 3840x2160(800W) |
| Record resolution: | UHD: 3840x2160(4k) 30p / FHD: 1920x1080 30p |
| Max. code rate of video storage: | 64Mbit/s |
| Supported file system & format: | Fat32; exFat |
| Picture format: | JPEG |
| Video format: | MP4 |
| Memory card supported: | Micro SD card , max. 64G |

• DEVO F8S remote controller

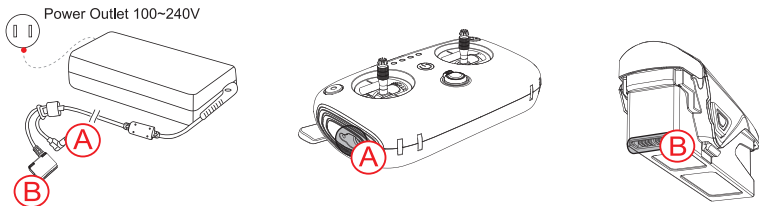
| | |
|----------------------|---|
| Overall (L x W x H): | 173 x 101 x 71mm |
| Working frequency: | 2.4G |
| Signal range: | About 1.5KM (open without shelter, no electromagnetic interference) |
| Built-in battery: | 7.4V 2200mAh Li-po 2S |

4.0 Attention before flight

- 1) The VITUS is intended for pilots, 14 years or older, with RC hobby experience.
 - 2) Please do not flying in severe weather, such as rainy, snowy, windy or foggy conditions.
 - 3) Always choose large open fields for flying, the densely steel reinforced buildings may affect compass, shelter GPS signal and deteriorate positioning effect of aircraft, and even lead to inability to position it.
 - 4) Please keep the flying aircraft away from high-speed rotating parts (such as propeller or brushless motor).
 - 5) Always keep the aircraft within sight, and keep it away from obstacles, crowds and water.
 - 6) Do not fly close to high-voltage power lines, cellphone towers, or radio towers, as these may disrupt your control signal.
 - 7) Always check local laws before flying, and never violate local laws or ordinances concerning legal flying areas.
 - 8) When aircraft flying above 4500 meters, flight performance may be undermined because of decreased performance of battery and gravity system.
-

5.0 Charging

- 1) Connect charger to AC power (100~240V 50/60HZ).
- 2) Please charge under the condition of the closed power for remote controller and smart flight.
- 3) Smart-flight battery level indicator light extinguishing indicates battery fully charged; while remote-controller charging indicator green light steady on indicates battery fully charged.



6.0 Downloading/Installing Game App Walkera GO & Operation App Walkera Drone

Please go to Walkera Official website (www.walkera.com) or Google to download/install it for Android system.

Please download/install it from App Store for iOS system.

To obtain best experience, tablet devices are recommended to run this software,

which supports **iOS 9.0 / Android 5.0** or above.