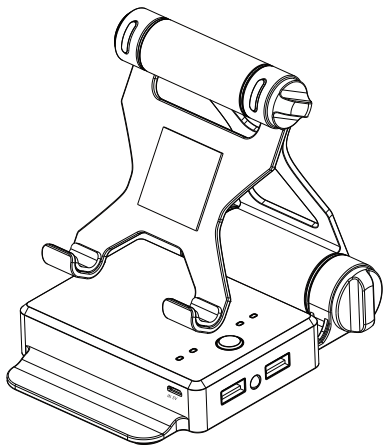


2AF9S-GSX1

GameSir X1 BattleDock

User Manual



We hope this manual answered any questions you may have had. If you have any further questions, please contact us:

 GameSir Facebook: <https://www.facebook.com/myGamesir>

 Customer Service: cs@gamesir.hk

 For More Support: <https://gamesir.hk/pages/x1-tutorial>

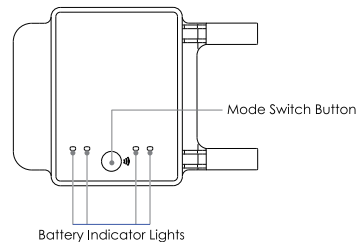
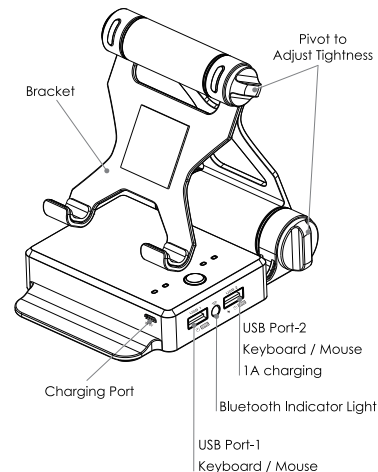
1. Product Description

GameSir X1 BattleDock is the innovative docking station to bring you the unpredictable PC gaming experience of the mice and keyboard control on the smartphones via Bluetooth connection! It is exclusively designed for FPS games and compatible with Android smartphones. Connect GameSir X1 to your Android devices and it will automatically recognize input devices without ROOT. With Happy Chick Emulator app for iOS and GameSir World App for Android, you can now enjoy the hot FPS games with your keyboard and mouse with a next level of control experience!

2. Detailed Specifics

Product Name	GameSir X1 BattleDock	Product Model	Gamesir-X1
Working Platform	Android 4.0 or above / iOS 7.0 or above	Working Temperature	5°C-65°C
		Working Humidity	20 - 80%
Working Mode	Android Primary Protocol	Connection	Bluetooth
Charging Voltage	5V	Charging Time	2-3 hrs
Charging Current	1A - 1.5A	Working Distance	Approx. 23.0 ft
Package Size	6.88 x 5.12 x 1.57in.	Battery Capacity	3000mAh
Product Size	5.31 x 4.02 x 1.22in.	Net Weight	0.61 lb

3. Product Overview



4.How to use

For Android users (version 4.0 or above):

a. Scan the QR code below to download GameSir World App.
Browse the GameSir-X1-supported game list and download the game through the link.



gamesir.hk/gsw

- b. Turn on "Developer options" and "USB debugging" in your phone.
- c. Connect your phone to either USB Port-1 or USB Port-2 via an USB cable, then short press mode switch button.
- d. When there is a popup window saying "Allow USB debugging?", immediately click "Yes".
- e. After clicking, it will automatically turn to the interface of GameSir World App. When it shows "Successfully mapped", tap the "+" button on screen to add the FPS games you want.
- f. Short press the mode switch button once to turn on the Bluetooth.
- g. Turn on Bluetooth in mobile phone, search for "GameSir-X1" and connect it.
- h. When Bluetooth indicator light keeps solid, it is successfully connected.
- i. Insert keyboard and mouse to USB Port-1 and USB Port-2. Start games through GameSir World app.

For iOS users (version 7.0 or above):

a. Scan the QR code below to install the Happy Chick Emulator.



gamesir.hk/happychick

- b. Browse the GameSir-X1-supported game list from Happy Chick Emulator and download the game through the app.
- c. Short press the mode switch button on GameSir X1 for once to turn on the Bluetooth.
- d. Turn on Bluetooth in mobile phone. Go back to the home screen, enter the game you downloaded from the Happy Chick Emulator.
- e. Tap the blue controller icon at the upper left corner, then tap connect.
- f. When Bluetooth indicator light keeps solid, it is successfully connected.
- g. Insert keyboard and mouse to USB Port-1 and USB Port-2 and you are ready to play the game.

Reminder: GameSir X1 BattleDock is mainly designed for FPS games in smartphones, such as Rules of Survival, Knives Out and etc. It only supports those games that have been listed on the apps. More popular FPS game titles will be listed on the apps consistently. The unit will automatically turn off when there is no operation for 30 seconds.

FCC Caution.

§ 15.19 Labelling requirements.

This device complies with part 15 of the FCC Rules. Operation is subject to the following two conditions: (1) This device may not cause harmful interference, and (2) this device must accept any interference received, including interference that may cause undesired operation.

§ 15.21 Changes or modification warning.

Any Changes or modifications not expressly approved by the party responsible for compliance could void the user's authority to operate the equipment.

§ 15.105 Information to the user.

Note: This equipment has been tested and found to comply with the limits for a Class B digital device, pursuant to part 15 of the FCC Rules. These limits are designed to provide reasonable protection against harmful interference in a residential installation. This equipment generates uses and can radiate radio frequency energy and, if not installed and used in accordance with the instructions, may cause harmful interference to radio communications. However, there is no guarantee that interference will not occur in a particular installation. If this equipment does cause harmful interference to radio or television reception, which can be determined by turning the equipment off and on, the user is encouraged to try to correct the interference by one or more of the following measures:

- Reorient or relocate the receiving antenna.
- Increase the separation between the equipment and receiver.
- Connect the equipment into an outlet on a circuit different from that to which the receiver is connected.
- Consult the dealer or an experienced radio/TV technician for help.

For the complete setup tutorial.Please visit:

<https://gamesir.hk/pages/x1-tutorial>

How to charge GameSir X1 BattleDock?

Please plug an USB cable to the charging port to charge the unit. Remind that some keyboard and mouse have high-power consumption, please make sure your unit has enough power when you playing.