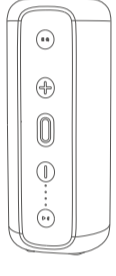


User's Manual
E30 Portable Bluetooth Sport Speaker

What's in the box?

English



Bluetooth speaker*1



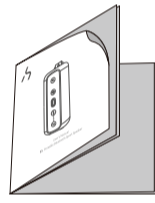
Carabiner*1



Charging cable*1



Audio cable*1



Instruction*1



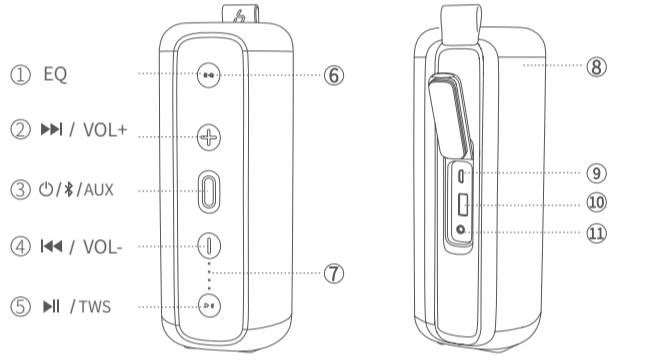
After-sales service card*1

1

The product structure (with figures)

English

- 1. EQ (BASS BOOST)
- 2. Vol+/Next
- 3. Power/Bluetooth/AUX
- 4. Vol-/Prev
- 5. Play/Pause
- 6. EQ indicator
- 7. Power/Charging indicator
- 8. Microphone
- 9. Charging port
- 10. USB charging port
- 11. AUX Port



2

Bluetooth & TWS

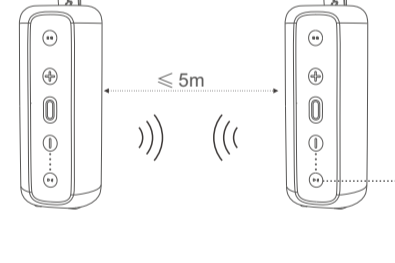
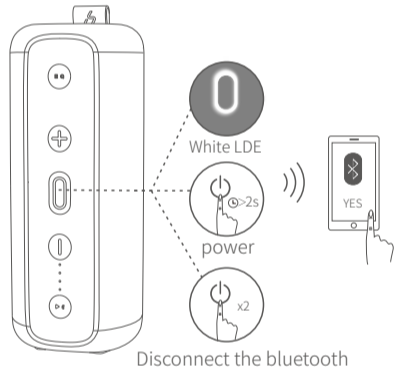
English

1. Bluetooth connection

- Turn on the speaker and Enter pairing mode.
- As the white LED twinkling fast, you can turn on your Bluetooth device and search for HAVIT E30.
- Un-pair connected device
- When you use the audio cable, it will switch between Bluetooth/AUX mode.
- Rapidly flashing white: Pairing mode
- Steady white: Connected to a device

2. TWS

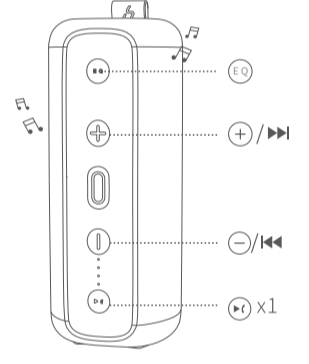
- When two E30 TWS connect for the first time, dual press. And they will automatically reconnect for the subsequent use.
- Dual press. Disconnect the TWS and enter the pairing mode again.



3

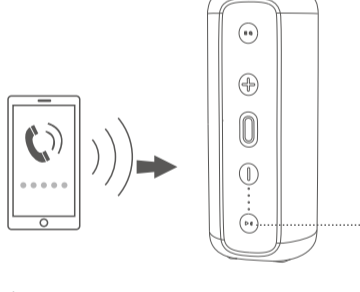
1. Music control

English



⏸ x1	Play/Pause
⏪ / + x1	Volume up/down
⏮ / >15	Play the previous song/ Play next song
⏩ x1	Enhance the bass and the EQ indicator light up.

2. Speakerphone

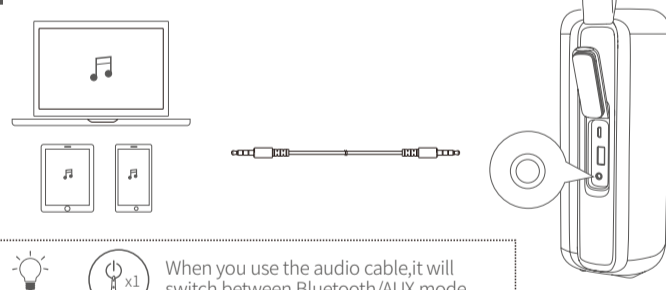


⏸ x1	Answer/End call
>2s	Reject call
>2s	Siri
>2s	When connecting the iPhone

4

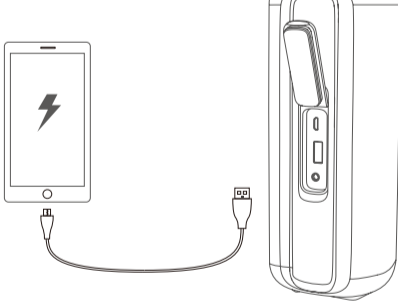
Connect via AUX

English



When you use the audio cable, it will switch between Bluetooth/AUX mode.

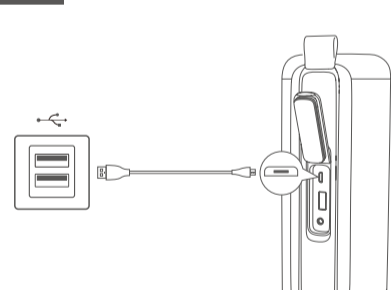
Charge USB Devices



5

Charge Your E5

English



- Flashing White: The battery is charging
- Steady White: Fully charged

To preserve battery lifespan, fully charge at least once every 45 days

6

Specifications

English

Specifications are subject to change without notice.

Model	E30	Audio output	30W
Input	5V = 2A	Charge time	5H
Usb out	5V = 1A	Battery capacity	2600mAhX2
Play time(varies by volume level and content.)	12-14H	Size	213x82x81mm
Waterproof rating	IPX7	Weight	747g
SNR	≥80	Frequency response	80Hz-20kHz
Bluetooth version	V4.2	Speaker	55mmX2
Impedance	4Ω	Range	20M (without obstacles)
Audio input	AUX,Bluetooth	Support	TWS , Siri, Voice chat

Charging and battery information:

- 1. This product has a built-in non-removable and rechargeable battery. Please use the equipped micro USB cable to charge the battery.
- 2. The charging current voltage is 5V/2A, and the product cannot be recharged with a charger of more than 5V 2A.
- 3. Please choose the charger that passes the regular manufacturer's safety certification.
- 4. Repeated charging on the speaker will cause battery performance degradation over time, which is a normal phenomenon for all rechargeable batteries.

7

Warning:

- 1. Please follow the instructions in this manual.
- 2. Do not use a charger exceeding the rated current and voltage of the speaker (5V/2A) to charge the speaker, otherwise it will cause damage to the speaker battery.
- 3. Please use and store this product in the ambient temperature environment.
- 4. Do not use this product near the heat source, such as a radiator, a hot air conditioner, a stove, or other instruments that produce heat.
- 5. Don't block the ports of the speaker, such as charging port and microphone etc..
- 6. Please don't adjust the volume to the maximum level for a long time to avoid causing dizziness or damage to hearing.
- 7. No matter the product is damaged for any reason, it must be dealt with in time with the after-sale personnel of us. Any unauthorized demolition and modification will make the warranty invalid.

8

NOTE:

English

This equipment has been tested and found to comply with the limits for a Class B digital device, pursuant to Part 15 of the FCC Rules. These limits are designed to provide reasonable protection against harmful interference in a residential installation. This equipment generates uses and can radiate radio frequency energy and, if not installed and used in accordance with the instructions, may cause harmful interference to radio communications. However, there is no guarantee that interference will not occur in a particular installation. If this equipment does cause harmful interference to radio or television reception, which can be determined by turning the equipment off and on, the user is encouraged to try to correct the interference by one or more of the following measures:
Reorient or relocate the receiving antenna.
Increase the separation between the equipment and receiver.
Connect the equipment into an outlet on a circuit different from that to which the receiver is connected.
Consult the dealer or an experienced radio/TV technician for help.

FCC Radiation Exposure Statement:

This equipment complies with FCC radiation exposure limits set forth for an uncontrolled environment. This equipment should be installed and operated with minimum distance 20cm between the radiator & your body.

9

English

10