

Contents

Safety precautions	3
Chapter I Unpacking list	5
Chapter II Names of each product part	6
Chapter III Matters needing attention about product usage	7
3.1. General description about product usage	7
3.2. Printing description	9
3.3. Camera description	9
3.4. LCD description	9
3.5. Capacitive touch screen description	10
3.6. Description about battery system, real-time clock	10
3.7. Terminal data communication description	10
3.8. LED Nixie tube customer display description	10
3.9. Contact-type IC card description	10
3.10. Instruction for Upgrade reader	11
Chapter IV Trouble removal	11
Chapter V Statements	12
Chapter VI Product maintenance and warranty	12
Chapter VII Matters needing attention about warranty	13
Chapter VIII Appendix	14

Preface

I express sincere thanks to you for using JP762A terminal product developed by our company!

As the intelligent terminal device to support Android system, JP762A terminal product is a kind of intelligent terminal device to integrate such functions as various cards (magnetic card, contact-type IC card, contactless IC card and PSAM card), camera (supporting two-dimensional code identification), fingerprint encryption, 58MM thermal printing technology, standby battery. As this manual makes detailed descriptions about such contents in [JP762A](#) intelligent terminal product as various functional characteristics, operation methods, precautions for use and product maintenance, please carefully read through this handbook before using this product, so as to ensure your proper usage and high work efficiency; in the meanwhile, please pay attention to properly keeping this manual for future consultation and reference.

Suitable models for this manual: JP762A series products

To dear users:

If you happen to have any question or good opinions and suggestions in the process of using our product, please make feedback about them to our company. Thanks very much for that kindness!

Safety precautions

Firstly, thank you very much for using JP762A terminal product. Before using this product for the first time, please carefully read the following safety precautions:



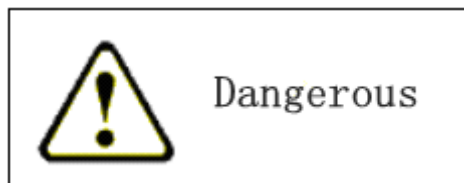
This symbol signifies that: if users neglect the specified requirements or use this product improperly, there is a danger for causing fatal death or severe damage.



This symbol signifies that: if users neglect the specified requirements or use this product improperly, there is a possibility for causing fatal death or severe damage.



This symbol signifies that: if users neglect the specified requirements or use this product improperly, there is a possibility for causing personal injuries or property losses.



- Lithium ion battery
- Be sure not to get this battery wet for water can possibly engender the danger of battery releasing heat, exploding and catching fire;
- Be sure not to use or place this battery near open fire or close to other places exposed to high temperature;
- Be sure not to use the battery for other devices except this one; otherwise, this may engender the danger of battery releasing heat, exploding and catching fire;
- Be sure not to misplace the positive (+) and negative (-) electrode of battery when putting it into equipment or charging it; otherwise, this may engender the danger of battery releasing heat, exploding and catching fire;
- Be sure not to make incineration disposal towards used batteries or heat them up; otherwise, this may engender the danger of battery releasing heat, exploding and catching fire;
- Be sure not to connect the positive and negative poles of battery together inside the recharger or instrument;

- Be sure not to transport or store the battery with such articles as hairpin and necklace; otherwise, this may cause short circuit between positive and negative poles of battery, hence engendering the danger of battery releasing heat, exploding and catching fire. When transporting and storing it, please put the battery into a box.
- Be sure not to beat, strike or to pierce the battery with nails or other edged tools; otherwise, this may engender the danger of battery releasing heat, exploding and catching fire;
- Be sure not to disassemble and directly weld the battery or refit it by any means; otherwise, this may engender the danger of battery releasing heat, exploding and catching fire;
- This battery can only be charged with the specified recharger; if other rechargers are used, it may engender the danger of battery releasing heat, exploding and catching fire;



Dismounting and refitting

- Be sure not to attempt to dismount or refit the battery by any means for the high voltage inside it may cause electric shock hazard;

Internal components and parts

- Be sure not to touch internal high-voltage components or parts; otherwise this may cause electric shock hazard;

Abnormal conditions

- If the desktop payment terminal emits heat or begins to smoke with peculiar smell; then users should instantly turn the power off and contact with the dealer as soon as possible. If continuing to use it, users will possibly face the hazard of catching fire or electric shock.

Foreign matters

- If foreign matters enter the desktop payment terminal, users should instantly turn the power supply off and contact with the dealer as soon as possible. If continuing to use it, users will possibly face the hazard of catching fire or electric shock.

Dropout and damage

- If the desktop payment terminal suffers dropout or damage, users should instantly turn off the power and contact with the dealer as soon as possible. If continuing to use it, users will possibly face the hazard of catching fire or electric shock.

Humidity

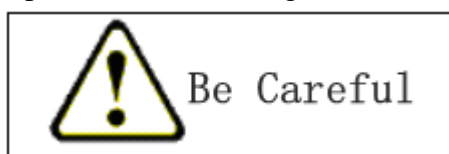
- The desktop payment terminal should be kept far from vase, flowerpot, tea china, glass and other water containers as well as metal for it may cause the hazard of catching fire or electric shock if water and metal enter this payment terminal.

Lithium ion battery

- Be sure not to put the battery in microwave oven or pressure cookers; otherwise, this may cause battery to release heat, explode or burn;
- Be sure not to use batteries with peculiar smell, overheating temperature, abnormal

colors or shapes; otherwise, this may cause the battery to release heat, explode or burn;

- After normal charging, the battery can only be used for a short time and at that time please instantly stop using it. If users continue to charge it when abnormality happens, the battery may explode or burn;
- If the battery leaks liquid or engenders peculiar smell, users should instantly remove it from neighboring heat source or fire source for high heat can cause battery to explode or burn;
- If the liquid exuding from the battery accidentally enters eyes, there is a danger for blindness; at that time, users should not rub the eyes; instead, they should instantly washing them with clean tap water before seeing doctors.



Foreign matters

- Pay attention to guaranteeing that there are no metal or inflammable particles entering the opening of desktop payment terminal for these foreign matters may cause the hazard of catching fire or electric shock;

Location

- Be sure not to put the desktop payment terminal on unstable or uneven surface; otherwise, this may engender the danger of falling off, thus causing casualties;
- Be sure not to put it in places with huge humidity and much dust;
- Be sure not to place it inside the automobile under direct sunlight for a long time.

Liquid crystal display/displayer (LCD)

- Be sure not to impose too much pressure on LCD or make it suffer powerful impact; otherwise, it may make LCD splinter, hence causing injuries;
- If LCD splinters, be sure not to touch the liquid inside; otherwise, this may cause skin irritation or cause inflammation.

If the liquid from LCD panel accidentally enters the mouth, users should immediately rinse it and then see doctors;

If the liquid accidentally rubs off on eyes or skin, please instantly wash the part with clean tap water for 15 minutes before seeing doctors.

<Caution>: in terms of those people who don't follow the above suggestions or improperly use the desktop payment terminal and in light of any consequences caused by ineligible maintenance personnel or by those people who use repairable parts not provided and specified by this company for maintenance, the company is not legally duty-bound to undertake any responsibility.

※If there are any changes in manual content, there are no prior notices.※

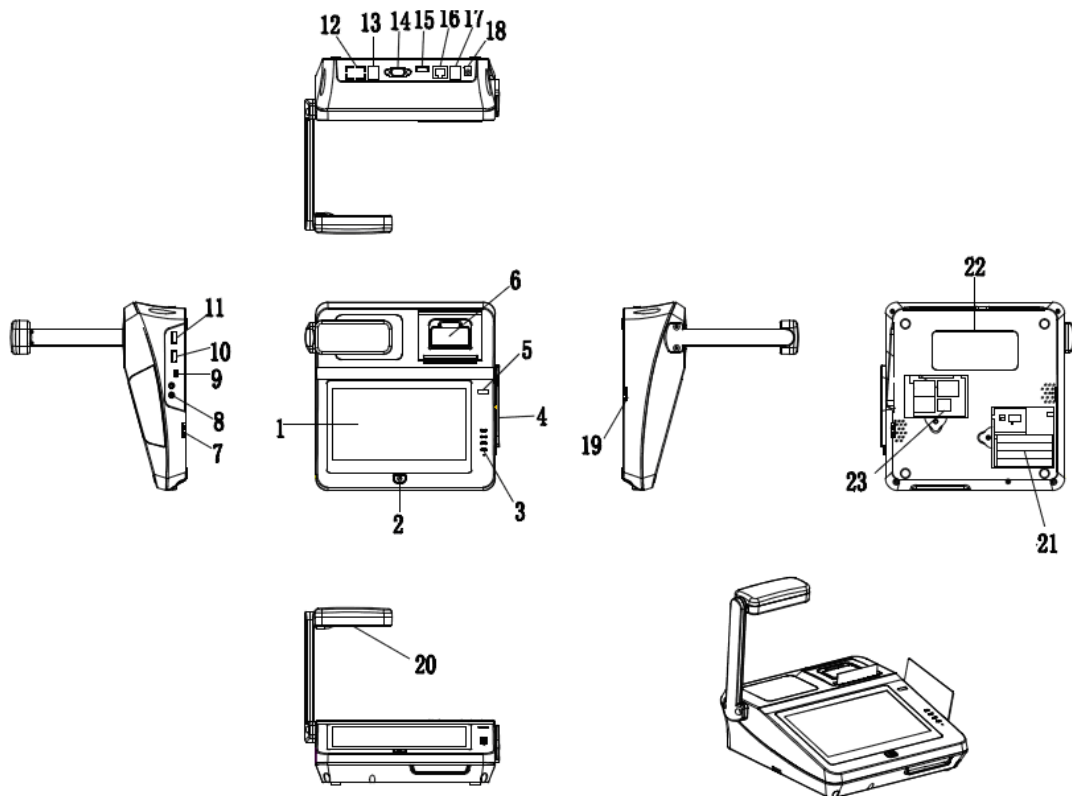
Chapter I Unpacking list

When unpacking the packaging box, please check and affirm whether the following

parts are complete. If there are missing or damaged parts, please contact with the supplier.

- | | |
|--|------------|
| 1. Terminal host | one |
| 2. Power adapter | one |
| 3. Power line (national standard/European standard/American standard, to make configuration according to the actual situation) | one |
| 4. Data communication cable (to make configuration according to the actual situation) | one |
| 5. Light disk(With the manual and warranty card) | one |
| 6. 58 MM printer paper | one (reel) |

Chapter II Names of each product part



- | | |
|----------------------------------|---|
| 1. LCD | 7-inch TFT LCD (optional configuration); |
| 2. Switch button | Switch button; |
| 3. Indicator light | four indicator lights; |
| 4. MSR | to support high and low resistance cards;
three-orbit data reading (optional configuration); |
| 5. Fingerprint identification | with fingerprint module being USB
communication mode and scraping type; special software is necessarily matched to
realize this function. |
| 6. Printer | 58mm thermal printer; |
| 7. Loudspeaker | loudspeaker; |

8. Earphone and microphone sockets	earphone and microphone sockets;
9. MINI USB	MINI and USB interface;
10. USB1	USB interface;
11. USB2	USB interface;
12. Standby interface	to be defined (TBD);
13. Code keyboard interface	code keyboard interface;
14. COM interface	COM (TTY52) interface;
15. HDMI High-definition interface	HDMI High-definition interface;
16. LAN network interface	LAN network interface;
17. Cashbox interface	cashbox interface;
18. DC power connector	with external connection to 12V/5A DC power;
19. Loudspeaker	loudspeaker;
20. Camera	3-million-pixel or 5-million-pixel camera with laser positioning function;
21. Update button plus battery compartment	one update button and beside it are a battery socket and a battery compartment;
22. Label	label and packaging sticker;
23. TF card slot	TF card slot, with the maximum capacity to support 32GB TF card;

Chapter III Matters needing attention about product usage

3.1. General description about product usage

As the start-up mode is to press power button for 3 seconds, JP762A terminal product carries Android 4.1 and operating system above that, and it also supports a huge number of applications in Android platform. Therefore, you can be good at playing this product as you do with other Android flat products. However, we make the following suggestions to you when you use this product:

- Please select applications facing flat panel. If it is an application facing mobile phone, the whole display frame will reverse 90°, which is a phenomenon caused by length-width ratio definition in application, hence engendering inconvenience to your usage;
- This product doesn't carry the gravity sensor and gyroscope; therefore, various applications needing gravity sensor and gyroscope cannot be normally operated (in terms of such games as Temple Run);
- This product doesn't carry GPS navigation module; therefore, it doesn't have GPS navigation function.
- The requirement for TF card in this product is the same to that in ordinary flat panels. As the file system is FAT32, please format your TF card into FAT32 before using it.
- When the system installs software, the product needs typing in password, with the out-of-factory password being "888888". Moreover, clients can change the password and the software to do this is "ChangePass", which has been installed in

the system;

Under normal usage, the product can realize the operation of shutting down standby state in displayer by softly pressing power button for once and it will arouse the standby state by softly pressing that button again. The shutdown mode in this product is to press power button for 3 seconds and then to select shutdown in the dialog box popping out before clicking OK. After that, the product will execute the shutdown program and close the whole machine.

If you are foreign users, you need to use other languages except Chinese as your system language, and please make this setting according to the following steps:

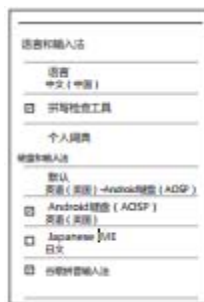
1. To select the “Setting” option in application interface;



2. To select the option of “Language and Input Method” in the expanding directory;



3. To continue selecting the first item of “Language” from the expanding directory;



4. Here, you can select that language as your system language:



The Android system loaded in our product possesses a complete language package, and you can slide up and down the mouse to select the system language you need according to the interfaces shown in the above figures, in terms of languages such as American English, Japanese and French.

3.2. Printing description

JP762A terminal carries its own 58mm printer, whose serial number is TTYS3 and Baud rate is 115,200, and it supports such regular functions in printer as Unicode Arabic and Persian character set (which is subject to order requirements), ASCII code, double height and width, concentration adjustment and point diagram printing. As the printer head is produced by Seiko, its quality is assured.

- Brief functional parameters of that printer are listed as follows:
 - Printing speed of printing module is 60mm/s;
 - Service life of printer head is more than 50 kilometers;
 - Unicode Arabic and Persian character set;
 - To support point diagram and LOGO printing;
 - To support font, double height and width, chart, line spacing, concentration, Baud rate and adjustment of line spacing;
 - To support customization of foreign language characters (to customize foreign language character set according to the need);
 - To support that the printing paper is as wide as 58mm and the maximum diameter of paper scroll is 60mm.

3.3. Camera description

JP762A terminal product is equipped with 3-million-pixel or 5-million pixel autofocus camera as well as laser head for positioning shoot, which is convenient to scan 2-dimensional code.

In terms of design, the camera module considers the safety in transportation; therefore, users need to install the camera to the machine by themselves. When doing this, they just need to install the camera with screws after aligning the camera to the machine body.

Note: as camera function is optional function, please check whether there is such function in the machine;

3.4. LCD description

- Display space
 - LCD is 7-inch TFT LCD screen, and its resolution is 800*480, which is convenient for display.
- Character type
 - Letter characters, digits, symbols, Chinese characters and other foreign characters.

3.5 Capacitive touch screen description

- Touch screen
 - The touch screen is 7-inch multiple-point capacitive touch screen and it can simultaneously support 5-point touch control, which is convenient for operation;

3.6. Description about battery system, real-time clock

- Battery system
 - The data collector employs 2,200mAh 7.4V lithium ion battery, which can be charged for cyclic use;
- Removable battery
 - The battery separation blade can be removed by loosening its screws and then the battery can be changed in this way.
- Built-in clock
 - This device possesses the function of built-in clock and it also has battery protection. When the main power source has no power, it can independently operate.

3.7. Terminal data communication description

- The terminal makes data transmission with the outside world through wires.
 - RS-232 interface: the terminal devices make data transmission with the outside world through communication interface (standard RS-232 (TTY2));
 - USB interface: it is connected to other equipments in the machine;
 - LAN network interface: it is connected with network cable.

3.8. LED Nixie tube customer display description

- LED customer display is 10-digit yellowish green nixie tube customer display;
- LED customer display can only display digits from 0 to 9;
- Baud rate is 9,600, with data bit being 8 bits and stop bit being 1 bit, and without odd-even check;
- Communication COM interface is TTY3.

Note: as LED customer display is optional function, please check whether the machine possesses that configuration;

3.9. Contact-type IC card description

- To support intelligent card reading and writing
 - To support ISO 7816 A, B, C category (5V, 3.3V and 1.8V) cards;
 - To provide reading and writing support to all microprocessor cards conforming to T=0 and T=1;
 - To support cards according with I2C Bus Protocol (from 1K Bits to 1024K Bits);
 - To support security memory cards (Atmel AT88Sc153 and AT88SC1608);

- To support logic encryption memory cards (AT88SC101/102/103);
- To support SLE4404/06/18/28/32/36/42, SLE5518/28/32/36/42 and SEL6636 encryption memory cards;
- To support PPS (protocol and parameter selection);
- To possess short-circuit protection.

Note: as contact-type IC card is optional function, please check whether the machine possesses that function.

3.10. Instruction for Upgrade reader

- JP762A support customer brush machine operation
 - The battery box lid open the bottom of the device, which has a SW2 BOOT dial switch, switch to "BOOT" end, connecting the MINI-USB interface, you can brush brush machine in accordance with the normal machine operation;
 - After flashing the dial switch must be set to "NC" end, equipment to normal switch machine;

Chapter IV Trouble removal

When product suffers troubles, users can voluntarily make some simple examinations to the machine. If simple examinations cannot still solve questions, please don't voluntarily dismount the machine. After recording the bar code and model number on machine body in the product and filling in warranty card, users should contact with local agents or the customer service personnel.

Trouble	Examination	Simple solution
Failing to start the machine up	Whether the power line is connected well	To examine the external power supply and power line
	Whether the base power is connected well with host	To check whether power joints are loosening
Failing to log in the system/suffering computer crash	External equipment with problems possibly causes influence to the host or software BUG reduces system into drop-dead halt	To disconnect all the peripheral equipments and attempt to make the product for independent operation with the purpose of excluding interference from peripheral equipments before restarting the machine.

Messy code in printer or failing to print	To check whether the COM interface parameters in system setting are appropriate or not with comparison in application software	To compare the instructions and reset customer display parameters or to adjust the product output COM interface parameters: TTYS3 and 115200.
Mini USB line Interface computer no response	Mini USB Line connection machine and computer	Check the line, The best desktop computer connected to the back of the U port
	The USB driver is installed already	Install 360 or pea pods to the computer, connect the device, install the driver

Chapter V Statements

In terms of warranty/after service or when clients encounter unsolvable quality problems, please don't voluntarily dismount the machine, so as to avoid causing more serious problems before contacting with local agents or the customer service personnel for solutions. Our company reserves the final interpretation power for product appearance and function, and the company is also entitled to update and change products.

Chapter VI Product maintenance and warranty

In terms of all clients who have purchased JP762A multifunctional intelligent terminal product from our company within a year after the company delivers the product, the machine damage or trouble caused by manufacture or component quality belong to the warranty category affirmed by this company, with the detailed warranty period as follows:

Warranty period for the host machine: one year;

Warranty or maintenance methods:

When maintenance is needed to solve troubles occurring in users' products, users can contact with agents or the customer service personnel in our company for maintenance operation.

When contacting with the customer service personnel in our company, you can firstly dial the service hot-line telephone in our company to report situations to customer service engineers there and then these engineers put forward solutions before deciding whether it is necessary to mail the products to the company for maintenance.

Please contact with our company to handle these problems according to the contact information provided by the company.

Chapter VII Matters needing attention about warranty

Maintenance time

Maintenance time covers three parts: time to take delivery, maintenance time and transportation time for products being delivered back to clients.

Time to take delivery: it refers to the time it takes for our company to take delivery of goods after the products from clients needing maintenance are delivered to Guangzhou; according to different delivery methods taken by clients, it usually lasts for 1 to 3 days.

Maintenance time: it is no more than 5 workdays.

Transportation time for products being delivered back to clients: it depends on the method of delivering products back to clients as well as the distance from clients.

Charging standards

If product exceeds warranty period, the company will charge maintenance costs.

In terms of troubles caused by such human factors from clients as improper uses or voluntary dismounting for maintenance, the company will charge maintenance costs.

Except the above two situations, the company won't charge maintenance costs.

Maintenance cost is only charged for the basic fees in replacing components.

Means and fees for delivering products back to customers after (product) maintenance

Means for delivering products back to clients after maintenance: in terms of 1 to 2 machines, to deliver them with express; in terms of 3 and more, to deliver them with postal express, China Railway Express or bus transportation (transporting expenses of the above means are paid by our company).

Note: if clients require taking special means, the excessive fees are paid by clients.

Chapter VIII Appendix

Warranty card

Machine type		Machine (identification) number	
User	Unit name:		
	Name of contact person:		
	Contact number:		
	Mailing address:		
	Postcode:		
Warranty period			
Maintenance record			
Maintenance record			
Maintenance record			

FCC STATEMENT

1. This device complies with Part 15 of the FCC Rules. Operation is subject to the following two conditions:
 - (1) This device may not cause harmful interference.
 - (2) This device must accept any interference received, including interference that may cause undesired operation.
2. Changes or modifications not expressly approved by the party responsible for compliance could void the user's authority to operate the equipment.

NOTE: This equipment has been tested and found to comply with the limits for a Class B digital device, pursuant to Part 15 of the FCC Rules. These limits are designed to provide reasonable protection against harmful interference in a residential installation.

This equipment generates uses and can radiate radio frequency energy and, if not installed and used in accordance with the instructions, may cause harmful interference to radio communications. However, there is no guarantee that interference will not occur in a particular installation. If this equipment does cause harmful interference to radio or television reception, which can be determined by turning the equipment off and on, the user is encouraged to try to correct the interference by one or more of the following measures:

Reorient or relocate the receiving antenna.

Increase the separation between the equipment and receiver.

Connect the equipment into an outlet on a circuit different from that to which the receiver is connected.

Consult the dealer or an experienced radio/TV technician for help.