



436NA-0006

436UK-0006

436DE-0006

USER MANUAL

SOUND BASE SYSTEM

Contents

Features	2
For your Attention.....	3-4
Panel.....	5-6
Wall-mounting.....	7-8
Connections.....	9-10
Remote Control.....	11-12
Basic Playback.....	13
Trouble shooting.....	14
Specifications.....	15

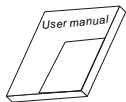
Features

Thanks for your purchase of our product. Please read through this manual before making connections and operating this product. Retain this manual for future reference.

- Line input
- AUX input
- Optical input
- USB slot
- ARC function
- Bluetooth playback

Package Contents:

User manual



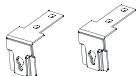
Remote control



Wall plug(2x) and screw(2x) and bracket screw(4x)



Bracket(2x)



Audio Cable



For Your Attention

IMPORTANT NOTES:

- Please read through this manual before making connections and operating this product. Retain this manual for future reference.
 - Don't open the cabinet of this unit. No user-serviceable parts inside. Refer servicing to qualified personnel only.
 - Switch off the unit when you don't use it. Switch off the unit and disconnect it from the AC power supply when it is not being used for a long time.
 - Don't install the unit in a place exposed to heating sources or direct sunshine.
 - Don't install the unit in a place exposed to moisture or rain.
 - The apparatus shall not be exposed to dripping or splashing and any object filled with liquids, such as vases shall not be placed on it.
 - Install the unit on a horizontal, flat and firm surface with good ventilation. Never block the vents which will cause malfunction resulted from overheating.
 - Use a soft and clean rag to clean the outside of the unit. Never clean it with chemicals or detergent.
 - This book is only a guide for user's operation, not a criterion for configuration.
 - Only use attachments/accessories specified by the manufacturer.
 - Where the Mains plug is used as the disconnect device, the disconnect device shall remain readily operable.
- WARNING: The batteries shall not be exposed to excessive heat such as sunshine, fire or the like.
- CAUTION: Danger of explosion if battery is incorrectly replaced. Replace only with the same or equivalent type.



The lightning flash is intended to alert the user to the presence of dangerous voltage within the product's enclosure, and touching the internal components may result in a risk of electric shock to persons.



The exclamation mark is intended to alert the user to the presence of important operating instructions.



To reduce the risk of electric shock or fire, do not open the cover. Refer servicing to qualified service personnel.

For Your Attention

FCC STATEMENT:

1. This device complies with Part 15 of the FCC Rules. Operation is subject to the following two conditions:
 - (1) This device may not cause harmful interference, and
 - (2) This device must accept any interference received, including interference that may cause undesired operation.
2. Changes or modifications not expressly approved by the party responsible for compliance could void the user's authority to operate the equipment.

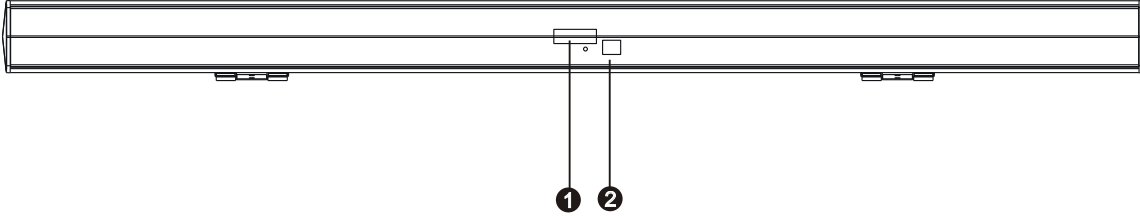
NOTE: This equipment has been tested and found to comply with the limits for a Class B digital device, pursuant to Part 15 of the FCC Rules. These limits are designed to provide reasonable protection against harmful interference in a residential installation. This equipment generates uses and can radiate radio frequency energy and, if not installed and used in accordance with the instructions, may cause harmful interference to radio communications. However, there is no guarantee that interference will not occur in a particular installation. If this equipment does cause harmful interference to radio or television reception, which can be determined by turning the equipment off and on, the user is encouraged to try to correct the interference by one or more of the following measures:
Reorient or relocate the receiving antenna.
Increase the separation between the equipment and receiver.
Connect the equipment into an outlet on a circuit different from that to which the receiver is connected.
Consult the dealer or an experienced radio/TV technician for help.

FCC Radiation Exposure Statement

This equipment complies with FCC radiation exposure limits set forth for an uncontrolled environment. This equipment should be installed and operated with minimum distance 20cm between the radiator & your body .

Panel

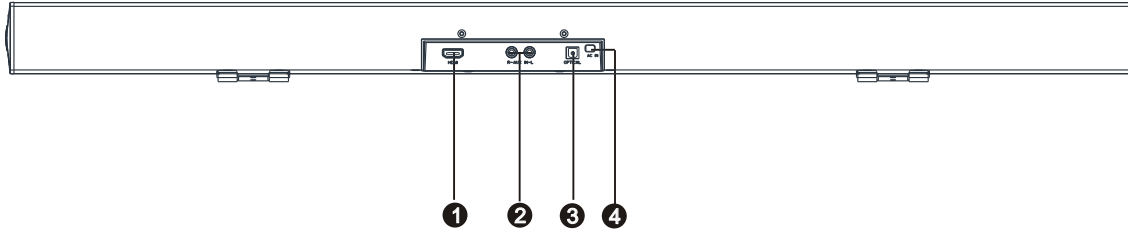
FRONT PANEL:



- 1 DISPLAY SCREEN
- 2 REMOTE SENSOR

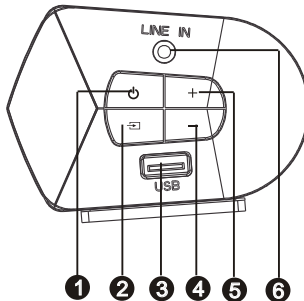
Panel

REAR PANEL:



- 1 HDMI
- 2 AUX INPUT
- 3 OPTICAL DIGITAL AUDIO INPUT
- 4 AC INPUT

SIDE PANEL:



- 1 STANDBY
- 2 SOURCE
- 3 USB SLOT
- 4 VOLUME-
- 5 VOLUME+
- 6 LINE IN

Wall-mounting

Mounting soundbar on a wall

In order to prevent injuries, the soundbase device must be securely fasten to the wall in accordance with the below installation instructions.

1. Drill the two holes (about 6mm diameter) in the wall and keep the distance between drill holes of the sound base is 500mm. As shown in the picture on the right (diagram 1).

2. Insert the two plugs supplied into two drilled holes and then insert two screws supplied into two holes and tighten. As shown in the picture on the right (diagram 2).

3. Take care to leave 4 mm between the screw heads and wall. As shown in the picture on the right (diagram 3).

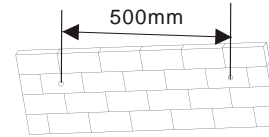


Diagram 1

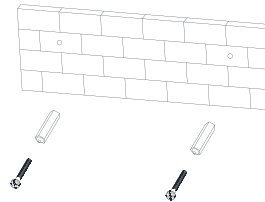


Diagram 2

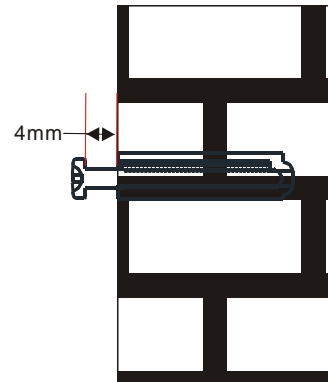


Diagram 3

Wall-mounting

Mounting soundbar on a wall

4. Insert the wall-mounting bracket supplied into the pedestal of the sound base. As shown in the picture on the right (diagram 4).

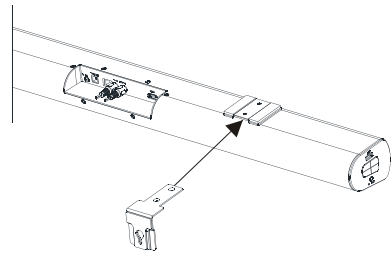


Diagram 4

5. Use the bracket screws supplied to insert the wall-mounting bracket hole and tighten. As shown in the picture on the right (diagram 5).

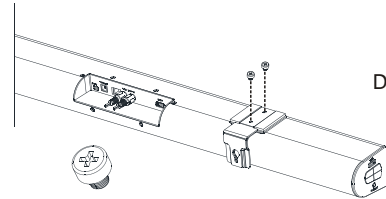


Diagram 5

6. Use the assembled sound base to hang on the setscrews on the wall. As shown in the picture on the right (diagram 6).

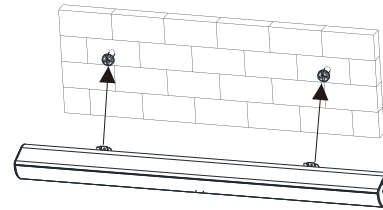


Diagram 6

Connections

LINE IN/AUX IN

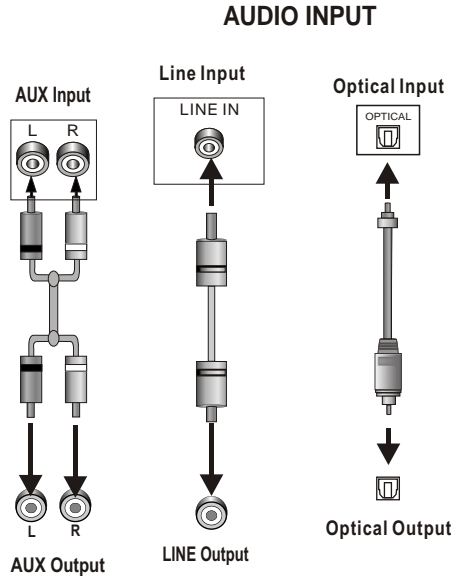
This sound base have two extra groups of audio input terminals. You can input the analogue stereo audio signals from extra devices such as VCD, CD, VCR, DVD player, etc.

Use the audio cable to connect the stereo audio output terminals of a VCD, CD, VCR, DVD player to the stereo input terminals **LINE IN/AUX IN** of this sound base.

Its corresponding signal source is **LINE IN/AUX IN** which can be available by pressing [LINE/AUX] on the remote control.

Optical Input

Use the optical cable to connect the optical input of this sound base to the optical output of VCD, CD, VCR, DVD player.



ARC(AUDIO RETURN CHANNEL)

ARC is audio return channel function, it is used in digital audio output of liquid-crystal display television in order to get the optimal synchronous sound quality .

Use the HDMI cable to connect the HDMI-ARC input port of this sound base to the ARC output port of the liquid-crystal display television.

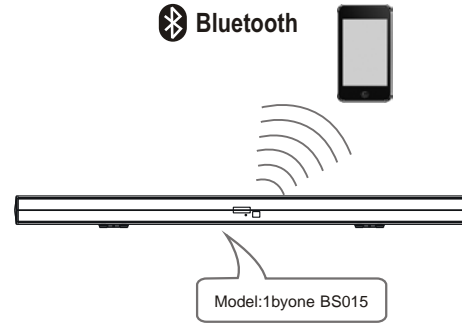
Connections

BLUETOOTH

Press standby button to power on the sound base, then press source button on the sound base to switch the corresponding bluetooth mode, the bt will be flashing quickly in the display screen, the sound base is in searching bluetooth signal status, use your smart phone to search the bluetooth signal of the sound base, select 1byone BS015 on your list, input the password 0000 if need the password prompt, the sound base will synchronize to play songs on your mobile phone while the bt keep solid light in the display screen means to be connected successfully. Disconnected the bluetooth on the smartphone to switched off the bluetooth connection.

Note:

- Bluetooth connection range in 10 meters.
- The bluetooth pairing model 1byone BS015 in your device was not deleted.
- In bluetooth mode, [PLAY/PAUSE], [NEXT], [PREVIOUS], [VOLUME+/-] etc. are also active.



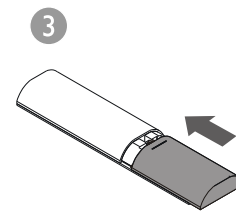
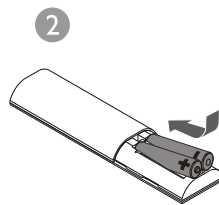
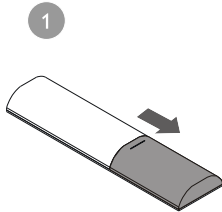
Remote control

Remote Control Operation

Insert the batteries into the remote control. Point the remote control at the remote sensor on the front panel. The remote control works within a distance of about 8 metres from the sensor and within an angle of about 30 degrees from the left and right side.

Battery Installation

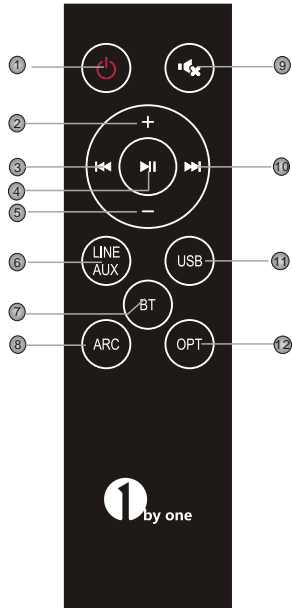
- 1 Remove the battery compartment cover on the back of the remote control.
- 2 Load two AAA/1.5V batteries into the battery compartment making sure that the battery have been inserted with the correct polarities matching the symbols +, - as indicated inside the battery compartment.
- 3 Replace the cover.



Note:

- Remove the battery when you do not intend to use the remote control for a long time.
- Weak batteries can leak and severely damage the remote control.
- The battery must not be exposed to excessive heat source, such as sunshine, fire or any other things like that.
- Be environmentally friendly and dispose of batteries according to your government regulations.

Remote Control



- 1 STANDBY
- 2 VOLUME+
- 3 PREVIOUS
- 4 PLAY/PAUSE
- 5 VOLUME-
- 6 LINE/AUX
- 7 BT(BLUETOOTH)
- 8 ARC
- 9 MUTE
- 10 NEXT
- 11 USB
- 12 OPTICAL

Basic Playback

Operation

STANDBY



● Press to switch on the unit. Press it again to put the unit in standby mode.

USB



● Press to enter to USB mode.

BT



● Press to enter to BT (BLUETOOTH) mode.

OPT



● Press to enter to OPTICAL IN mode.

ARC



● Press to enter to ARC mode.

LINE/AUX



● Press repeatedly to switch between LINE and AUX IN mode.



● Press to temporarily pause a playback. Press it again to resume the playback.
● Hold down this button for 3 seconds to disconnect bluetooth.



● Press to skip to the next track.



● Press to return to the previous track.

MUTE

● Press to temporarily switch off the sound. Press it again to switch it on.



● Press [VOLUME+] to turn up the volume.



● Press [VOLUME-] to turn down the volume.

Troubleshooting

Before resorting to maintenance service, please kindly check by yourself with the following chart.

Symptom	Cause(s)	Remedy
No Power	<ul style="list-style-type: none"> ● The AC power cord is not connected to the power supply or is not connected to a power supply securely. 	<ul style="list-style-type: none"> ● Please check that the AC power cord is connected securely.
Sound There is no sound or the sound is distorted.	<ul style="list-style-type: none"> ● The audio cables aren't connected securely. ● The volume is set to the minimum level. ● The sound is switched off. 	<ul style="list-style-type: none"> ● Connect the audio cables securely. ● Turn up the volume. ● Press [MUTE] on the remote control to switch on the sound. ● Press [PLAY/PAUSE].
The buttons on the unit doesn't work.	<ul style="list-style-type: none"> ● The unit is being interfered with static electricity etc. 	<ul style="list-style-type: none"> ● Switch off and unplug the unit. Then connect the plug to the power supply and switch it on again.
The remote control does not function.	<ul style="list-style-type: none"> ● There is no battery in the remote control. ● The batteries are out of charge. ● The remote control isn't pointed to the remote sensor. ● The remote control is out of its operating area. ● The unit is shut down. 	<ul style="list-style-type: none"> ● Install two AAA/1.5V batteries in it. ● Replace the batteries with new ones. ● Make sure that the remote control is pointed to the remote control sensor. ● Make sure the remote control is within the operating area. ● Switch off the unit and disconnect it from the AC outlet. Then power on the unit again.

Specifications

Power supply		AC ~100-240V,50/60Hz
Working environment	Temperature	-10~+35℃
	Relative humidity	5%~90%
Power output (Max)		20WX2
Frequency response		± 3dB(20Hz~20kHz)

