
Autodesk Products Tip & Tricks

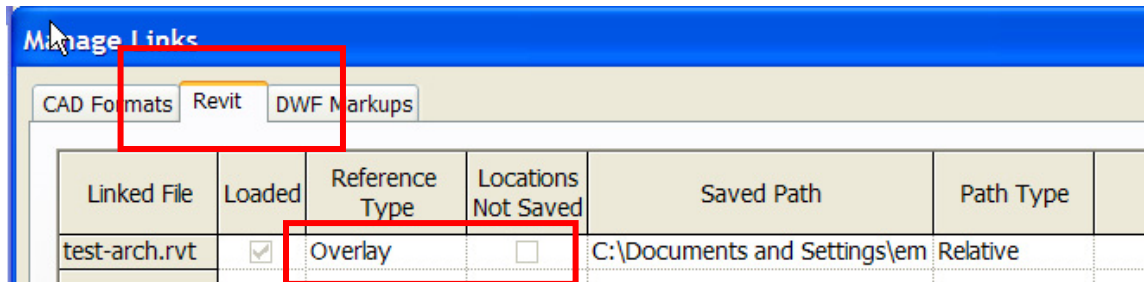
Product: Revit MEP 2009
Topic: Alternate Workflow to using Design Options with Revit MEP
Written by: Emy McGann, BSD TE
Date: March 23, 2009

Revit MEP provides the user with a tool called Design Options. Design Options enables you to toggle the visibility of an alternate design of the project. For example, an architect may use design options to represent multiple variations of an entry or different finishes on a floor. The design options can be added at any point during the project. In Revit MEP 2009, there are expectations you should be aware of before using Design Options on a project. Please refer to the document *Design Options with Revit MEP Expectations* for a list of what to expect when using this tool.

If you determine not to use the Design Options tool in Revit MEP, you could use an alternate workflow, having a separate model for each design option. Below are the steps to accommodate this workflow.

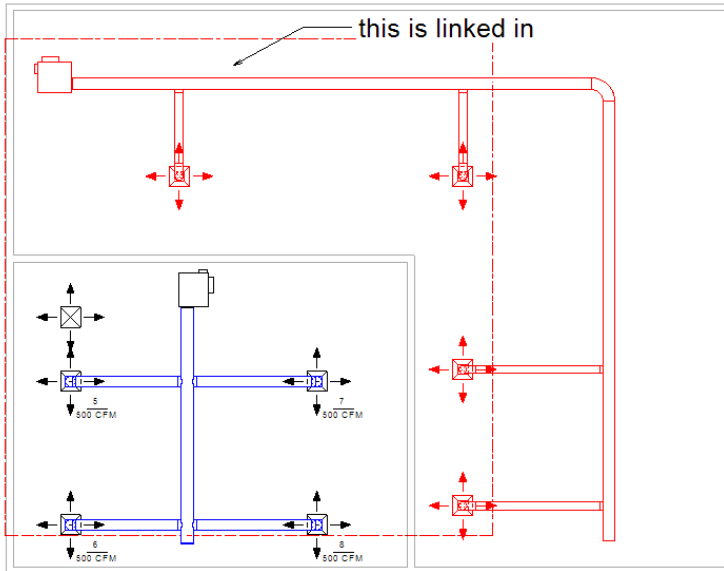
1. Set up new project for each design option

Ensure that the architectural background is linked in as an OVERLAY (File → Manage Links)



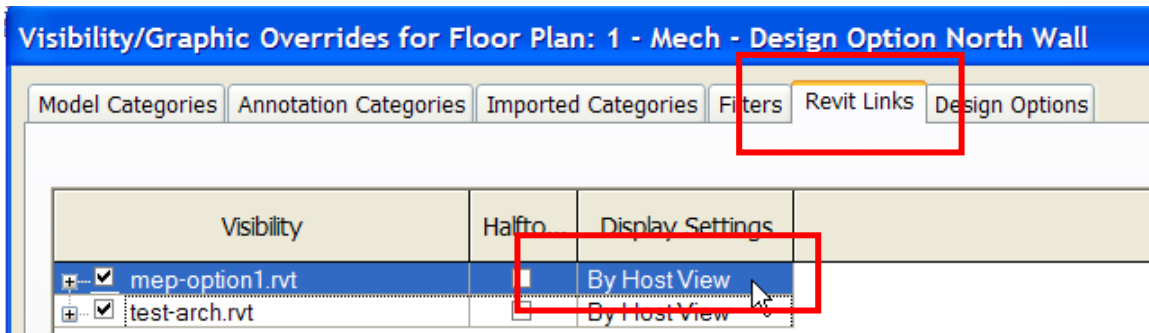
2. Link in each option to the main project
3. To get the annotation to show thru the link (i.e. tags, wiring, etc)

Autodesk Products Tip & Tricks

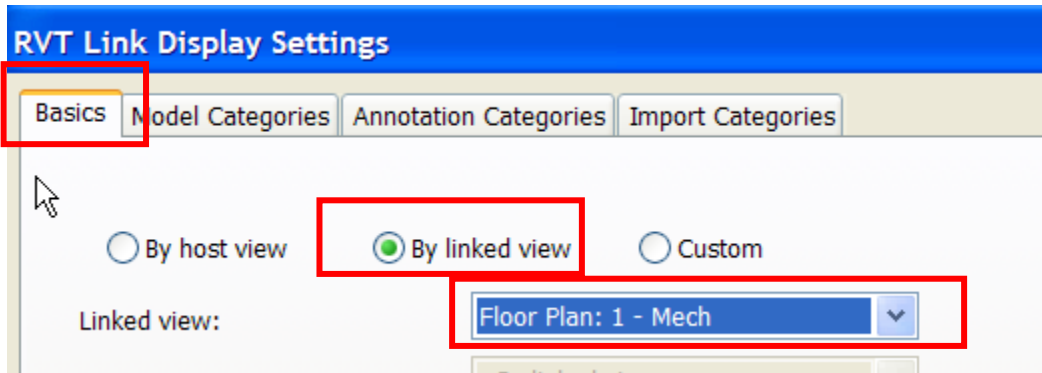


Open **Visibility Graphics** (type VG)

go to the **Revit Links** tab and select the linked in MEP model and choose **By Host View**



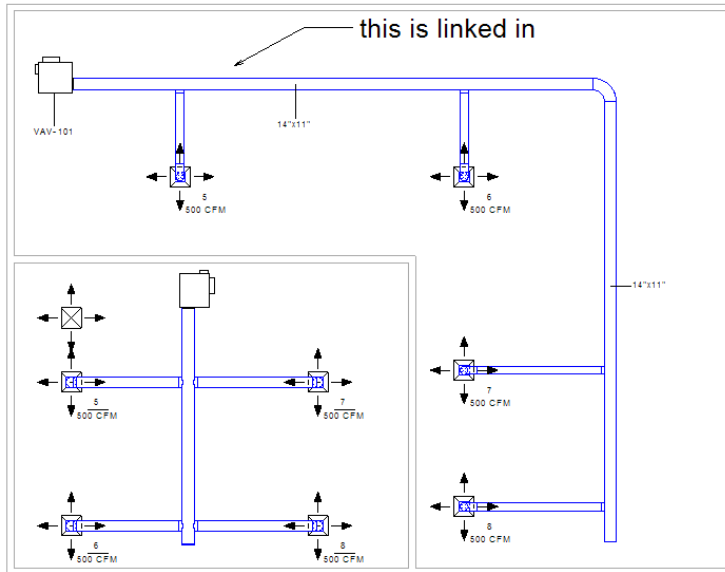
On the **Basics** tab select **By Linked View** and then choose the view in the linked model that contains the annotation



Autodesk Products Tip & Tricks

Select **Apply** and **OK** to close out of the dialog box

Notice that the System color is now displayed along with the annotation of the linked model



4. You can toggle the visibility of the linked file on a view by view basis thru **Visibility Graphics**

Visibility/Graphic Overrides for Floor Plan: 1 - Mech - Design Option North Wall

Model Categories | Annotation Categories | Imported Categories | Filters | **Revit Links** | Design Options

Visibility	Halfto...	Display Settings
<input checked="" type="checkbox"/> mep-op on1.rvt	<input type="checkbox"/>	By Linked View
<input checked="" type="checkbox"/> test.arch.rvt	<input type="checkbox"/>	By Host View