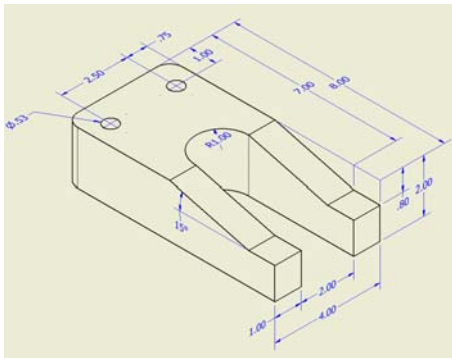


## Autodesk Products Tip & Tricks

**Product:** Autodesk Inventor 2009  
**Topic:** Dimension Isometric Views  
**Written by:** Nate Antalis, Technical Engineer  
**Date:** June 29, 2009



Use the General Dimension tool to add dimensions to isometric drawing views. By selecting the General Dimension tool then selecting points and edges on an isometric model view, Inventor will automatically infer an annotative plane and place a dimension on the plane.

Some geometry selections will have multiple annotative plane options. Press the spacebar to toggle between the inferred annotative planes before clicking to place the dimension.

Tip: Selecting endpoints rather than model edges will leave more plane options available.

In the figures below the dimension was placed by selecting the horizontal line (1) and arc end point (2) in Figure 1. By pressing the Space Bar, the inferred plane was changed, shown in Figure 2 below.

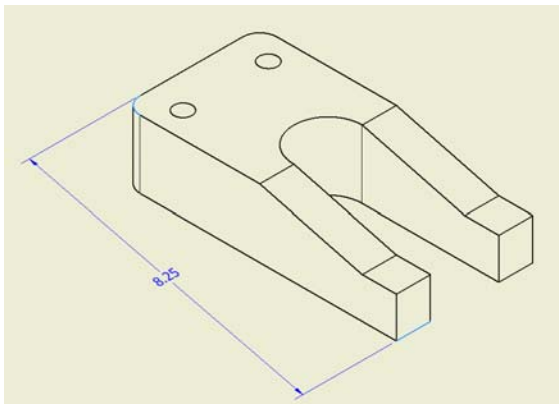


Figure 1

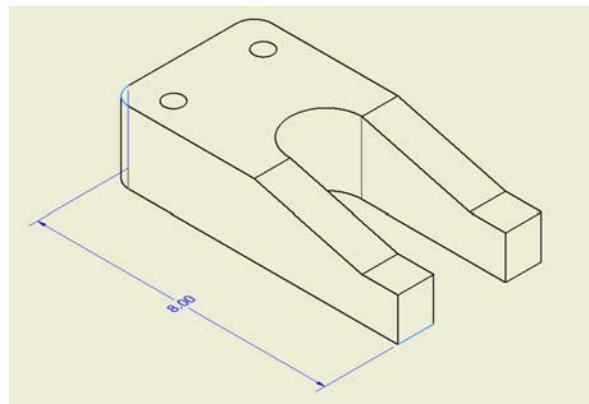


Figure 2

Alternately, right clicking while placing the dimension will bring up the context menu with the option to select the annotative plane from the models default work or visible work planes. See Figures 3 & 4 below.

---

**Autodesk Products Tip & Tricks**

---

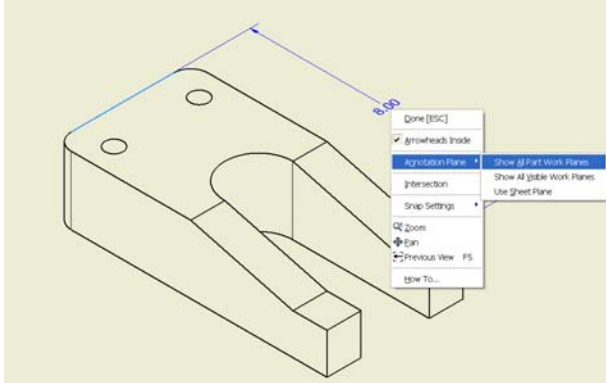


Figure 3

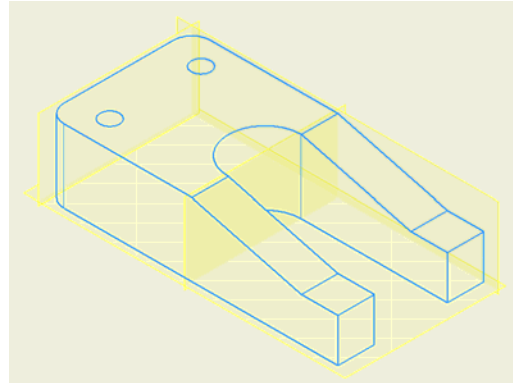


Figure 4