

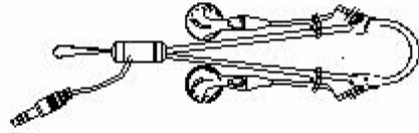
Quick Guide for Host MP3P

index

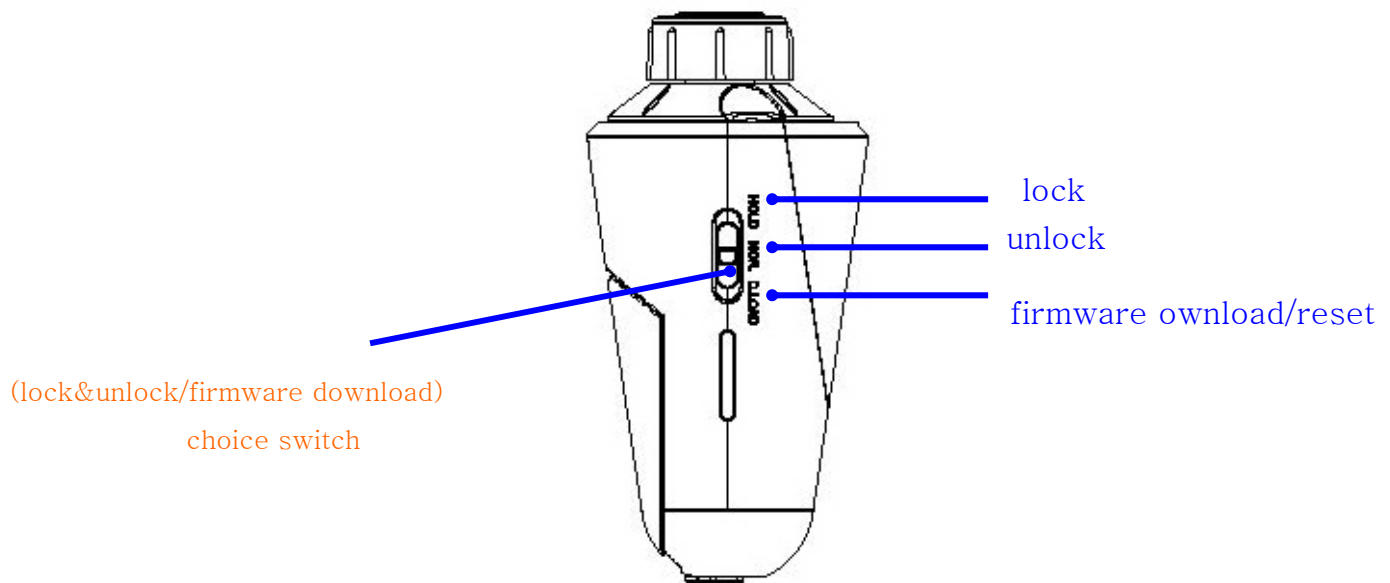
- 1 main part of product
- 2 part name and function
- 3 display LCD & manu for each mode
- 4 3 quick step for listening the music
- 5 caution for safety
- 6 homepage address & How to firmware upgrade
- 7 benefit of resistering as a customer
- 8 features
- 9 COPYRIGHT NOTICE
- 10 standard
- 11 warranty
- 12 basic instruction for host mp3p bullet cradle

1 main part of product

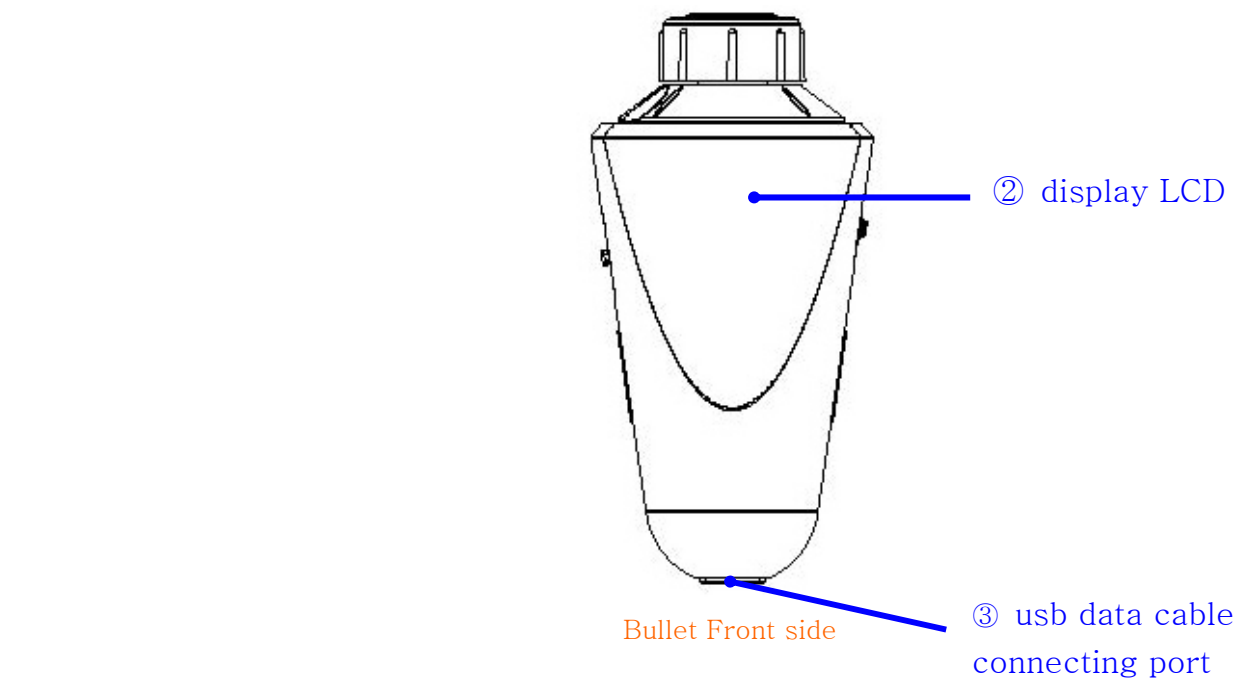
Host MP3P Bullet / stereo earphone / USB data cable / quick guide / keyring case



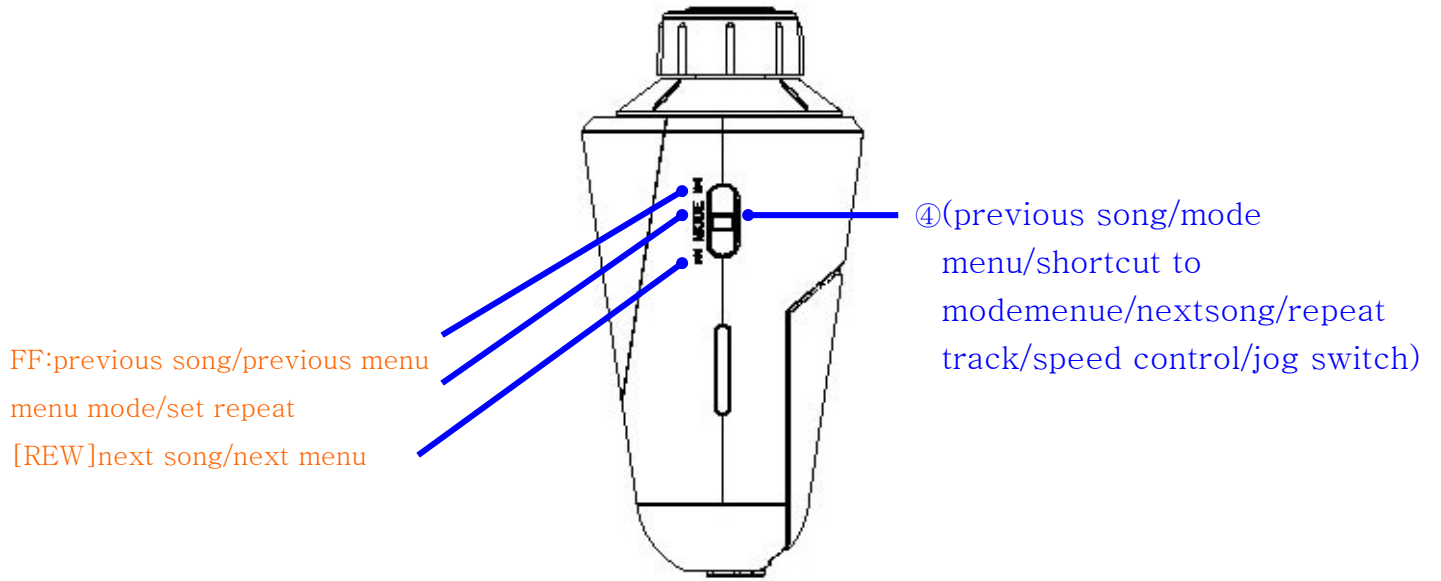
2 part name and function



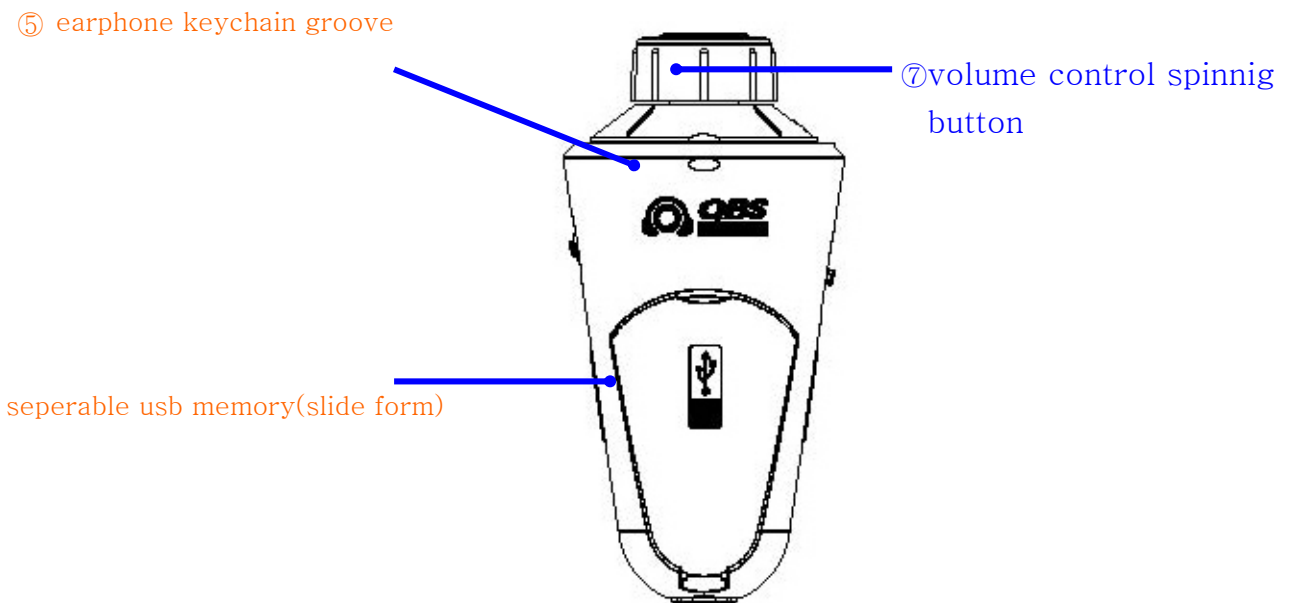
Bullet left side



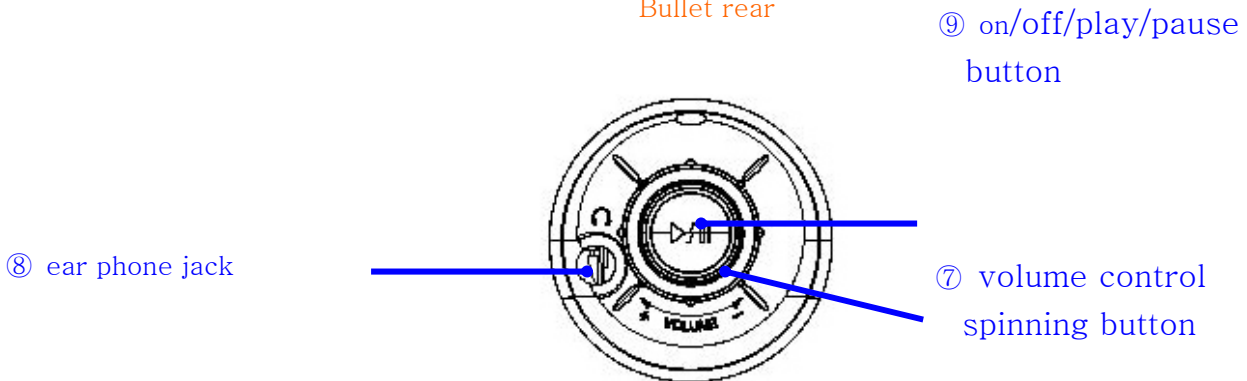
Bullet Front side



Bullet right side



Bullet rear



Bullet top

1. lock/unlock, firmware download(reset)mode select switch

- you can lock or unlock the menu butoon for each part, you can download the firmware to solve problem(or reset)



2. display LCD

- dsplay condition of playing mp3p player by image and text

ex) battery, lock, (repeat) play,condition of play, play process and time,repeat mode, song number, song title, words, sound effect, menu, file, frequency,volume

3. usb data cable connecting port(download firmware

- in case of charging or downlading firmware or reset, you can set the downloaded firmware by conneting usb usb data cable after set firmware downloading mode

[ff]next song(menu)/[rw]previous song(menu)/mode menu/shortcut to mode menu/[a-b]track repeat/speed control/select jog switch

- you can move to next/previous menu by controlling jog switch up and down

- you can go to mode menu and select menu by pushing jog switch, , even during playing mode you can go to mode menu by pushing jogswitch for 3 second

- during playing you can listen a certain track repeatly if you push jog switch at starting track and finish track

- you can control playing speed controlling jogswitch up and down)

4. earphone groove

-can attach earphone ketchain

5. seperatible usb memory

- as a usb drive and mp3 player memory, you can keep,move,control songs or files easily separated)

6. volume control spinning button

-you can control volume by spinning

7. earphone jack

- you can hear by connecting stereo earphone

8. 전원켜기&끄기/재생/일시정지 버튼(on&off/play/pause botton)

- 전원을 켜려면 3초 이상, 전원을 끄려면 6초 이상 길게 누르시고, 가볍게 한번만 누르시면 음악을 듣거나 일시정지를 시킬수 있습니다.(push 3 sec for off, 6sec for off, little touch for listening music or pause)

3 LCD display & menu of modes



1. Music Mode



PLAY MODE :

(Default Repeat All)

Normal(NOR)

/Shuffle Folder(F)/ Shuffle Once(1)/ Shuffle Repeat(R)

/Track Once(TR)

/Repeat Folder(RF)/Repeat All(RA)/Repeat Track(RT)

/ Exit



EQUALIZER :

(Default Normal)

Normal / Rock / Jazz / Classical / Pop / Custom / QBS 3D / Exit



SELECT FOLDER :

Select Folder / Open Folder / Exit



Setting :

LCD Contrast [0 ~ 30] (Default 15)

/BackLight Time [1 ~ 20] (Default 5)

/Language [English/Germany/Spain/French/Chinese Trad/Chinese Simp/Japanese/Korean]

(Default English)

/Idle ShutDown Time [1 ~20]

/ Information Memory

/ Factory Setting : Default Setting

/ Exit



Watch :

Time Set : year, month, day, time, minute setting

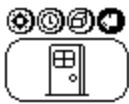
Alram Set : FM frequency, time, minute,

Alram On/Off setting



Delete :

Delete File / Exit



Exit :

2. FM Mode

FM :

Mono/Stereo [Mono / Stereo]

Auto Preset [ON / OFF]

Manual Preset [P01 ~ P20]

Preset Delete [All / Each]



3. Mode Select

Mode : [Music / FM]

4 3 quick step for listening the music


if you want to charge battery, connect player to computer using usb data cable. Charge for 1 hour.(caution : this product need to be connected to a high electricity usb data cable or usb2.0 hub. It doesn't work by connecting keyboard or low electricity usb port)

1 step : detatching usb(mp3 player memory also

push the seperatable usb at the back of mp3 player and connect to usb port)

2 step :

2단계 : saving mp3/bvr/wma/ogg file

after saving sound source in usb, detatch usb memory using safe hardware removing icon 

(if you want to buy music source on line)

3 step : play

after connecting usb which has sound source, listen to the music or change institution and enjoy the music

5 homepage address and firmware upgrade

you can get access to the information about our product by connecting www.hanausb.com and download file

You can upgrade product's quality by downloading firmware

6 benefit of resistering as a customer

email service about online AS,new product information,firmware upgrade,events

7 feature

1. unlimited memory expansion with Seperatable memory

It is possible to expand memory by replacing memory and use general USB also,

[128MB, 256MB, 512MB, 1GB, 2GB]

2. outstanding quality multi codec / full OGG available

Not just MPEG1/2/2.5 LAYER3, VBR, WMA but also OGG which is regarded as the new Audio condensation technique are available to play

[OGG, MPEG1/2/2.5 LAYER3, VBR, WMA]

3. various EQ effect which you can enjoy 3D sound with QBS 3D Stereo

- 10 levels of selectable sound image position wherever you wish
- 10 levels of selectable sound amplification as you wish
- QBS 7 Band Graphic Equalizer makes it play outstanding sound by controlling radio frequency [-12dB ~ + 12dB]
- various EQ Mode “Classic, Rock, Pop, Jazz, Ballad, Live, Bass” is essential
- User EQ Mode provide to control it by hands

4. FM Radio receipt and Voice Recording(Under consideration)

FM broadcastion receipt by More powerful Stereo Sound with FM Radio receipt function

- real time FM broadcasting recording, Voice recording support
- Saving of Broadcasting channel up to 20
- Whenever you wish you can save and listen to FM broadcasting as file

5. Enjoy lyrics listening to music

lyric support service with throughout lyric Database manager

6. Firmware Upgrade support

you can maintain you product in the best condition with Firmware upgrade support through website

7. easy to select music and more various replay mode

- you can select music even while you are listening
- various replay mode [all, Dir, Repeat1, Repeat Dir, Repeat all]

8. section replay function and LCD Display for multi language support to study foreign language

- to help your language study we provide section reply function
- LCD display that provide multi national languages such as English, Deusch, French, Spanish, Japanese, Chinese, Korean

9. Li-Polimer Battery adoption

need to charge only one time to play up to 10 hours due to re-chargeable batter and loaded charge IC

Cradle which support charge function(not yet decided)

10. Alarm and automatic sleep function

alarm and sleep function such as Morning call with RTC

11. USB 2.0 Client, 1.1 Host support

12. High Speed USB 2.0의 Storage

Separatable Memory can be used as USB 2.0

8 COPYRIGHT NOTICE

Details which is written this manual can be changed without any notification because of function upgrade or any change

Any Company, institute, product, person and event used as example are not real., and you must not infer them.

User must obey literarily property and we have no responsibility on it

Any part of this munual cannot be copied, searched, saved in a system or transmitted for any purpose without hana micron's agreement.

Hana Micron can keep the patent, brand right, copyright, or other intellectual proprietary rights

Except rights that we provide you here, this manual doesn't give you any rights which are connected to the patent, brand right, copyright, or other intellectual proprietary rights

2005~ HANA Micron Inc. All right reserved.

9 specification

1. Model : HHMP-1000

2. Flash Memory(Separatable) 128MB/256MB/512MB/1GB/2GB/4GB/8GB

3. MPEG Decoding

MPEG Play

MPEG 1/2/2.5 LAYER3

WMA

4. Earphone output : left 18mW right 18mW (16 ohm, MAX)

5. s/n rate : 85 dB (MP3)

6. Play time : 10 hours more base on 128Kbps (44.1KHz)/mp3

7. PC interface : USB Ver. 2.0

8. power : 4.2V / 440 mAh inner lithium polymer battery

9. external size : HORIZONTAL x VERTICAL (37.5 X 75)

10. weight : 40g(contain with battery)

11. Accessory that can be used together

family & car Kit

- Host MP3P Bullet Cradle
- Host MP3P Bullet Cradle car available DC Adaptor
- Host MP3P Bullet Cradle familial DC Adaptor
- Host MP3P Bullet Cradle DC Gender
- Host MP3P Bullet Cradle contact magnet

10 mp3 player warranty

The warranty for this hardware product of HANA Micron is limited as regulated below

You can be served for any defect of Aiva Series Host MP3 Player occurred within one year of purchasing date.

If any defect occurred within one year of purchase, under the our regulations..

It can be repaired with our new part

It can be replaced with new product or new parts, so that it will be functionally same to original product with on your expenses.

If any defect occurred and your request is accepted within 30 days of your purchase, the fee for repair, deliver or exchange will be advanced on mutual expenses.

This warranty is made by or for our company, and applied to hardware product by Hana Micron's brand, brand name, or logo that can be distinguished from other company's products.

This warranty is not applied to the Software that we provide.

Hana Micron does not take any responsibility for any damage or loss of data or information included in the product that we provide. This warranty is not applied to Recovery or re-installment for Program, Data, or information.

Even if it is still under warranty, you will be paid in the event of below.

- (1) any damage cause by accident, abuse, misuse, or other products of customer
- (2) In the case of any defect by a customer's fault(damage by shock or input of a different thing
- (3) any defect caused by personal repair or conversion, not by our customer service center
- (4) any damage caused by a natural disaster
- (5) Even if it is still under warranty, in case that a product nothing wrong is accepted more than 2 times

* We don't take any responsibility for the recovery of data loss or compensation for USB

Service Guide

Free of Charge Services:

- Services are free for one year after purchase from the Customer Service Center.

However, service is charged for the following cases:

- When product failure results from an error or carelessness on the customer's part (damages due to shock or the entry of foreign substances).
- When product failure results from a repair or product modification by the customer.
- Product damage from natural disasters.

Many products for which service is requested have no faults. Therefore, before calling our Customer Service Center for servicing, carefully read the User Guide and check for any trouble first.

We do not take responsibility for data loss on the mobile storage device.

Customer Service Center

Room 902, First Ssangyong IT Twin Tower,

442-17 Sangdaewon-dong, Jungwon-gu, Seongnam-shi,

Gyeonggi-do, Korea, 462-807

TEL: + 82-(0)502-111-7272 FAX: + 82-(0)31-608-5540

E-mail: adminusb@hاناusb.com

HANA Micron Inc.

Customer Center

Hana Micron Inc

11 [eparate product] Basic Manual for Host MP3P Bullet Cradle Kit

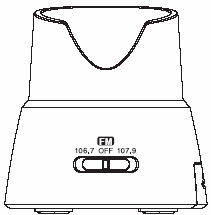
1) Host MP3P Bullet Cradle's constituent

Host MP3P Bullet Cradle (Main Product)

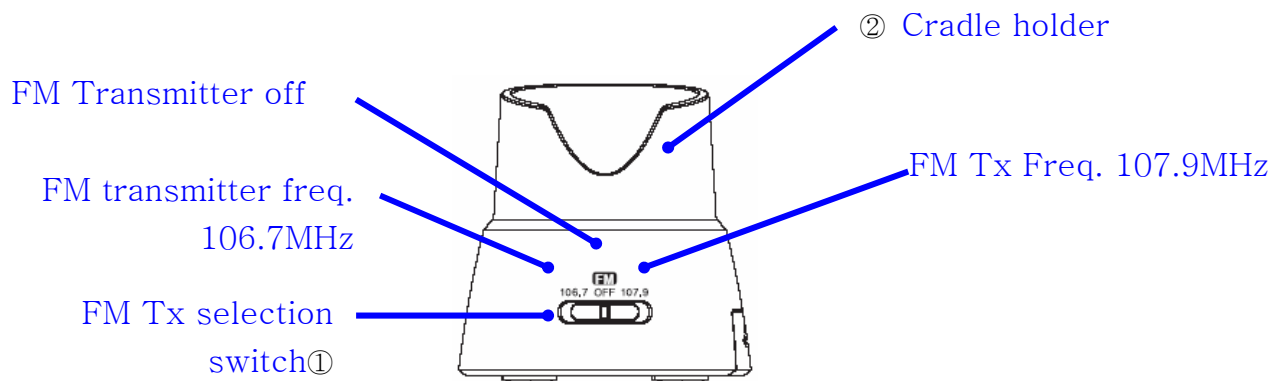
/ Bullet Cradle DC/DC Adaptor / Cradle AC/DC Adaptor

/ Bullet Cradle - DC Adaptor for car /

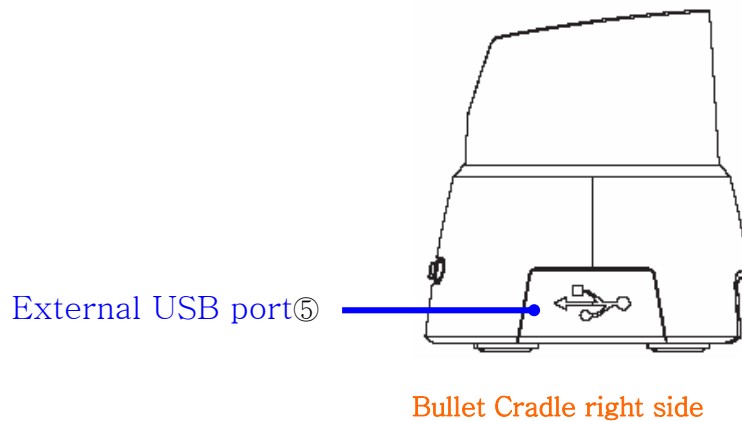
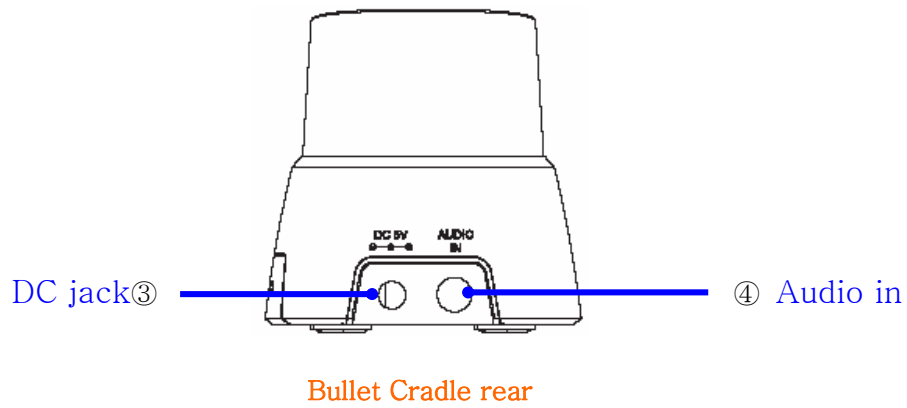
/ Bullet Cradle DC Gender / Cradle contact magnet



2) part name & function



Bullet Cradle Front



1. FM transmission setup Switch & FM transmission turn off

- You may listen to the music which is playing on MP3 Player with a Speaker of Home or Car audio, using FM Transmitter function loaded in the cradle.

2. cradle holder

- If you set Host MP3 Player Bullet on Cradle, you may create an atmosphere with light.

3. DC adaptor connection jack

- Home or car DC Adaptor is connected with and powered by Cradle, and if Host MP3 Player Bullet is connected, it may be charged.

4. Audio Connection

5. Extra USB port

- It a port which can be used with USB Memory(including almost every USB memory and other company's products) which is already in use, and if you save a MP3 file and connect the port, it will be recognized into MP3 Player Bullet의 Master Memory and play.

3) Three phases to listen to the music with Cradle FM Transmitter function

Preparation : There should be Car or home audio which is loaded Radio that FM Transmission is available.

Step 1 : to connected cradle into power

Connect car or home DC Adaptor into Dc Adaptor included(important : the product only deals with 220V) set FM Switch radio frequency you wish.

Step 2 : to turn on the car or home audio with radio

After you turn on the car or home audio, set cradle frequency with the radio frequency equally

Step 3 : to setup the Host MP3 Player Bullet with Cradle and listen to the music

Set up Host MP3 Player Bullet including mp3 with cradle and push the play button. Enjoy the music with car or home audio machine. If Extra USB is connected with another USB, you can enjoy other music in the second USB circuit.

FCC Information

This device complies with Part 15 of the FCC Rules. Operation is subject to the following two conditions:

- (1) This Device may not cause harmful interface, and
- (2) This device must accept any interference received, including interference that may cause undesired operation.

Note: This equipment has been tested and found to comply with the limits for CLASS B digital device, pursuant to Part 15 of FCC Rules. These limits are designed to provide reasonable protection against harmful interference when the equipment is operated in a commercial environment. This equipment generates, uses and can radiate radio frequency energy and, if not installed and used in accordance with the instructions, may cause harmful interference to radio communications. However, there is no guarantee that interference will not occur in a particular installation. If this equipment does cause harmful interference to radio or television reception, which can be determined by turning the equipment off and on, the user is encouraged to try correct the interference by one or more of the following measures:

- 1.1. Reorient or relocate the receiving antenna.
- 1.2. Increase the separation between the equipment and receiver.
- 1.3. Connect the equipment into an outlet on a circuit different from that to which receiver is connected.
- 1.4. Consult the dealer or experienced radio/TV technician for help.

WARNING

Changes or modifications not expressly approved by the manufacturer could void the user's authority to operate the equipment.