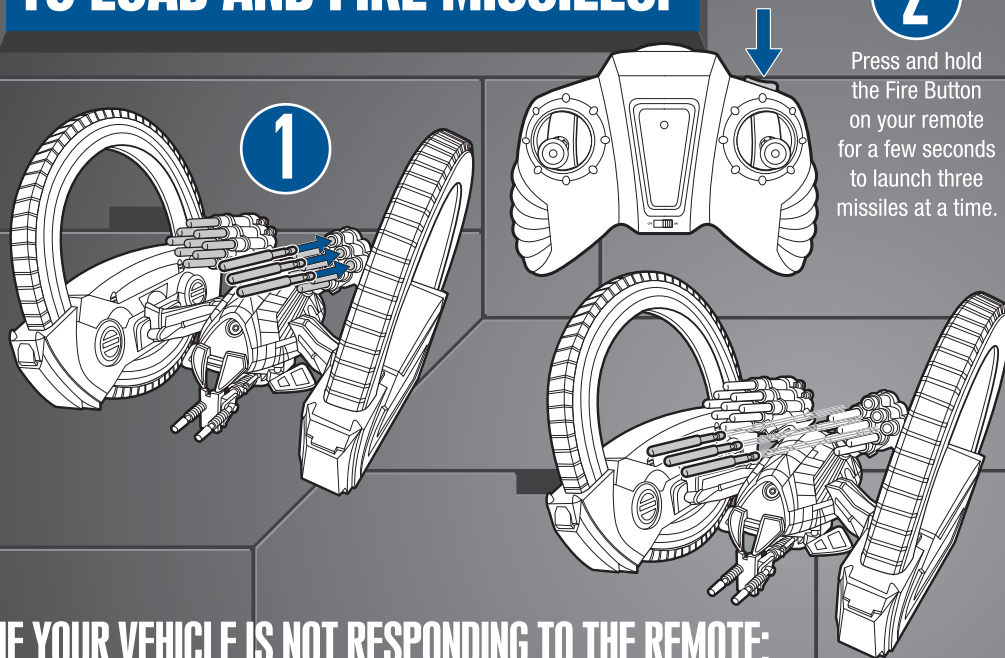


TO LOAD AND FIRE MISSILES:



2 Press and hold the Fire Button on your remote for a few seconds to launch three missiles at a time.

IF YOUR VEHICLE IS NOT RESPONDING TO THE REMOTE:

- Make sure both the vehicle and remote are turned on.
- Move the remote closer to the vehicle.
- You may be experiencing interference from other household items; move to a different location and try again.
- Replace the batteries in both the vehicle and remote.

Do not operate your vehicle on the street or on wet surfaces.

FCC Statement:

This device complies with part 15 of the FCC Rules. Operation is subject to the following two conditions: (1) This device may not cause harmful interference, and (2) this device must accept any interference received, including interference that may cause undesired operation.

This equipment has been tested and found to comply with the limits for a Class B digital device, pursuant to part 15 of the FCC Rules. These limits are designed to provide reasonable protection against harmful interference in a residential installation. This equipment generates, uses and can radiate radio frequency energy, and, if not installed and used in accordance with the instructions, may cause harmful interference to radio communications. However, there is no guarantee that interference will not occur in a particular installation. If this equipment does cause harmful interference to radio or television reception, which can be determined by turning the equipment off and on, the user is encouraged to try to correct the interference by one or more of the following measures:

- Reorient or relocate the receiving antenna.
- Increase the separation between the equipment and receiver.
- Consult the dealer or an experienced radio/TV technician for help.

CAUTION: Changes or modifications to this unit not expressly approved by the party responsible for compliance could void the user's authority to operate the equipment.



NOTE TO UK CONSUMERS: This product and its batteries must be disposed of separately at your local waste recycling centre. Do not dispose of in your household waste bin.



Product and colors may vary.
© 2010 Lucasfilm Ltd. & © or TM where indicated.
All rights reserved.
® and/or TM & © 2009 Hasbro. All Rights Reserved.
TM & © denote U.S. Trademarks.

P/N 7021180000

STAR WARS

THE CLONE WARS™

CAUTION:
Hair entanglement may result if child's hair comes in contact with moving parts of toy. Adult supervision is required.

Remote Control
HAILFIRE DRIOD™

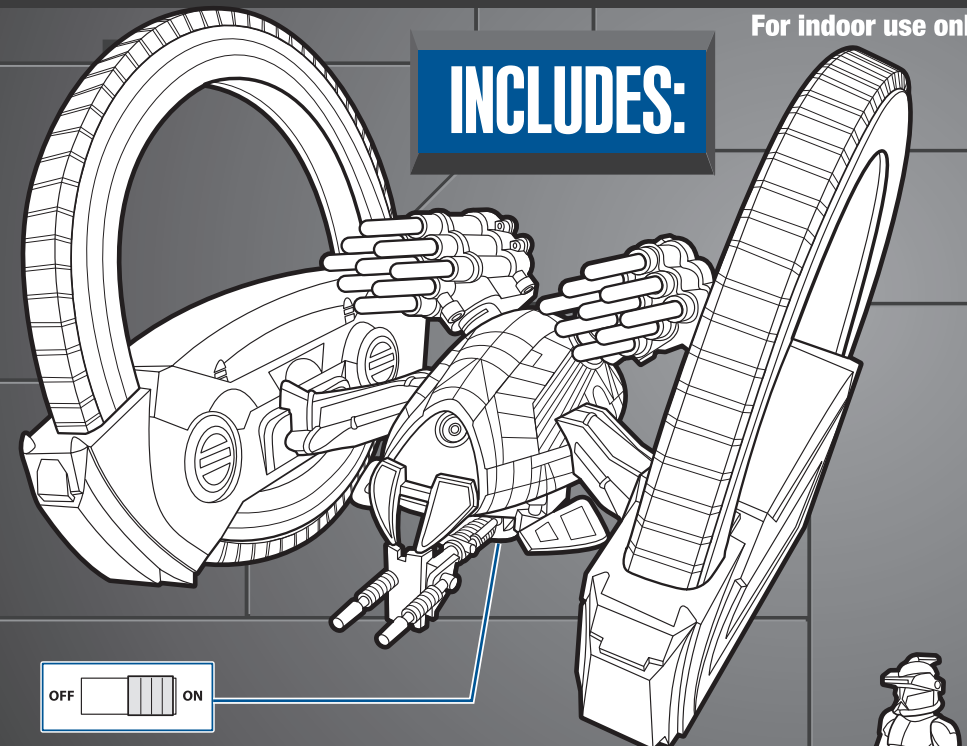
AGES 8+

93974

Frequency: 27 Mhz

For indoor use only.

INCLUDES:

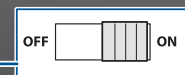


VEHICLE POWER SWITCH
(Located on bottom of vehicle.)

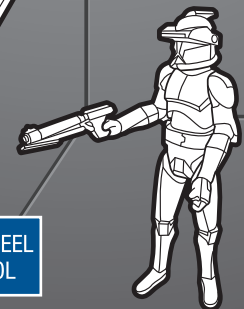
FIRE
BUTTON

LEFT WHEEL
CONTROL

RIGHT WHEEL
CONTROL



CONTROLLER POWER SWITCH



CONTROLLER:

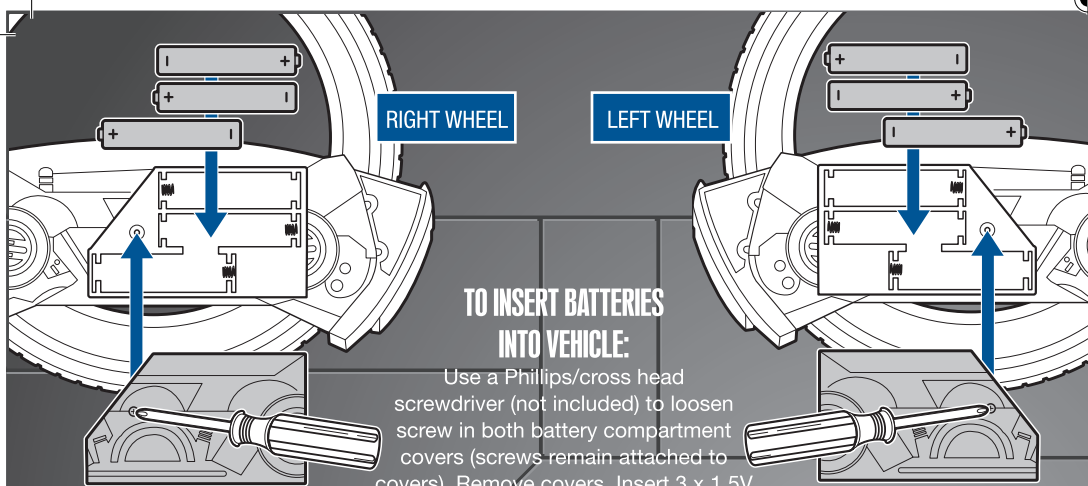
x3 1.5V AAA or R03 size
BATTERIES REQUIRED
NOT INCLUDED

Alkaline batteries recommended. Phillips/cross head screwdriver (not included) needed to insert batteries.

VEHICLE:

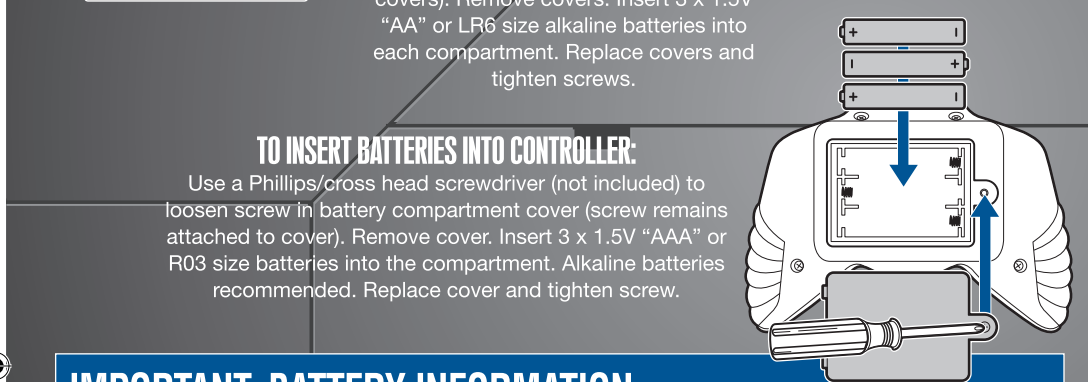
x6 ALKALINE
BATTERIES REQUIRED
1.5V AA or LR6 size
NOT INCLUDED

Phillips/cross head screwdriver (not included) needed to insert batteries.



TO INSERT BATTERIES INTO VEHICLE:

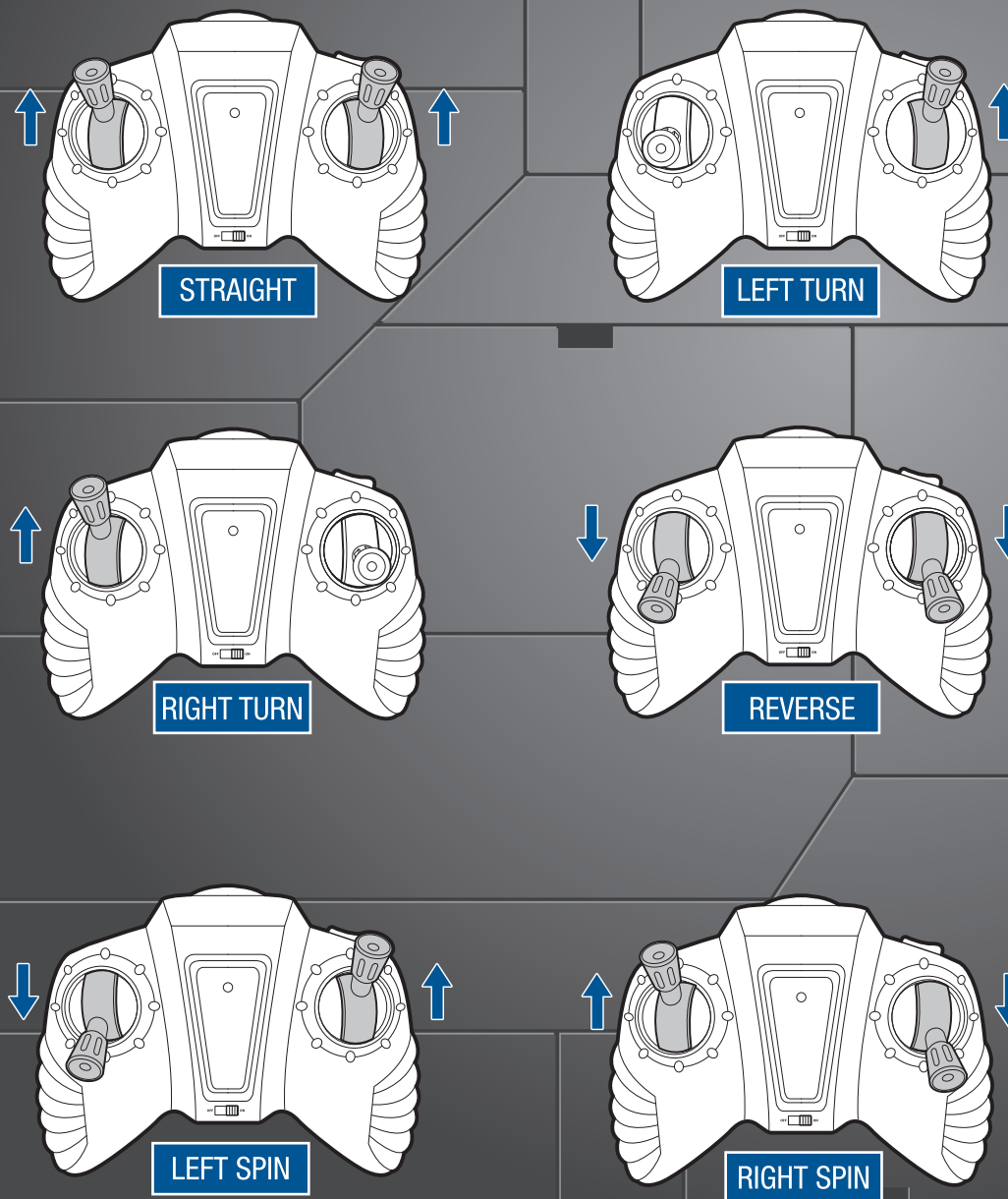
Use a Phillips/cross head screwdriver (not included) to loosen screw in both battery compartment covers (screws remain attached to covers). Remove covers. Insert 3 x 1.5V "AA" or LR6 size alkaline batteries into each compartment. Replace covers and tighten screws.



TO INSERT BATTERIES INTO CONTROLLER:

Use a Phillips/cross head screwdriver (not included) to loosen screw in battery compartment cover (screw remains attached to cover). Remove cover. Insert 3 x 1.5V "AAA" or R03 size batteries into the compartment. Alkaline batteries recommended. Replace cover and tighten screw.

HOW TO STEER THIS VEHICLE:



IMPORTANT: BATTERY INFORMATION

⚠ CAUTION:

1. As with all small batteries, the batteries used with this toy should be kept away from small children who still put things in their mouths. If they are swallowed, promptly see a doctor and have the doctor phone (202) 625-3333 collect. If you reside outside the United States, have the doctor call your local poison control center.
2. Always follow the instructions carefully. Use only batteries specified and be sure to insert them correctly by matching the + and - polarity markings.
3. Do not mix old batteries and new batteries or standard (carbon-zinc) with alkaline batteries.
4. Remove exhausted or dead batteries from the product.
5. Remove batteries if product is not to be played with for a long time.
6. Do not short-circuit the supply terminals.
7. Should this product cause, or be affected by, local electrical interference, move it away from other electrical equipment. Reset (switching off and back on again or removing and re-inserting batteries) if necessary.
8. RECHARGEABLE BATTERIES: Do not mix these with any other types of batteries. Always remove from the product before recharging. Recharge batteries under adult supervision. DO NOT RECHARGE OTHER TYPES OF BATTERIES.