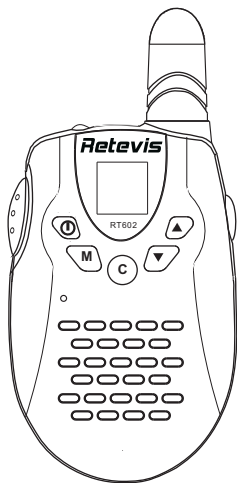
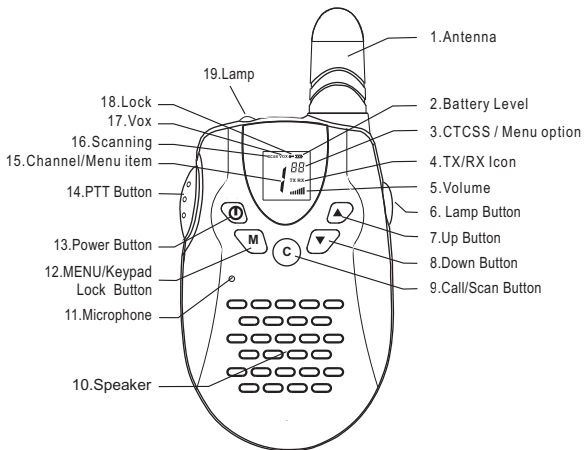


Retevis

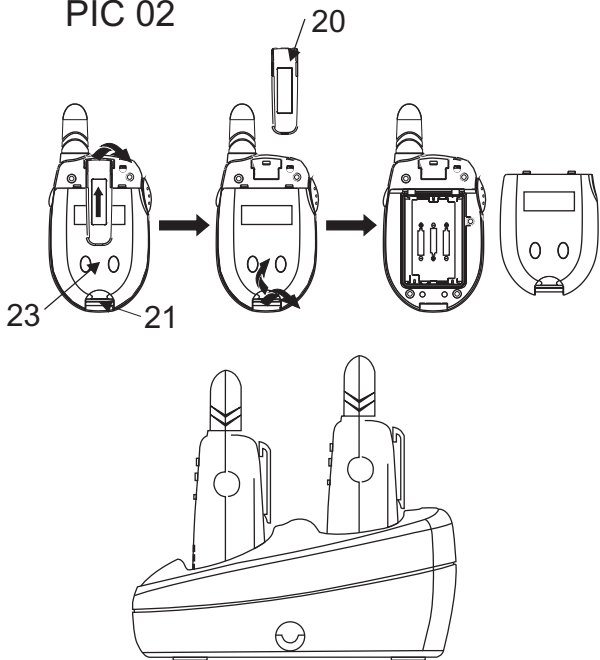


RT602
USER'S MANUAL

PIC 01



PIC 02



EN~ Instructions for use

This set includes 2 walkie-talkie units: these are communication devices which operate on mobile radio frequencies. They come with 22 channels as well as a back-lit LCD screen, enabling you to communicate over several kilometres free-of-charge.

NOTE: Please read these user instructions carefully before using the equipment and retain for future consultation!

SPECIFIC RECOMMENDATIONS

- If you carry any kind of personal medical device, consult a doctor before use.
- To avoid the risk of burns, do not use the device if the antenna is damaged in any way.
- Do not use the device in a potentially explosive environment (e.g.around petrol pumps, on the lower deck of a boat or around a fuel storage installation or chemical products)
- Switch off the device if on an airplane or in a hospital.
- Never use the device in close proximity to a radio to avoid interference.
- Remove the batteries if the device is not in use for an extended period of time. Never mix used and new batteries .
- Put the transmitter and antenna at least 32mm from your face Direct the antenna upwards and speak normally.
- Clean the device with a damp cloth. Do not use of cleaning agents and solvents.
- Do not modify the device in any way. If the device is damaged, Please make it checked by a qualified professional.
- The device cannot be used to contact the emergency services.

ITEM DESCRIPTION (Pic 01,02)

1. Antenna
2. Battery level indicator
3. CTCSS / Menu option -value
4. RX icon -Displayed when receiving
TX icon -Displayed when transmitting
5. Volume level indicator
6. Lamp Button
7. Adjustor button Up (▲)
8. Adjustor button Down (▼)
9. Call/SCAN button(C)
10. Loud speaker
11. Microphone
12. M: Enter the menu settings
13. On /off button(Ⓟ)
14. Push to talk (PTT)button
15. Channel/Menu item indication
16. Scanning indication:
Displayed during scan mode
17. VOX indication
18. Keypad lock indicator
19. Lamp
20. Belt attachment clip
21. Battery compartment cover latch
22. Batteries
23. Battery compartment

BEFORE USE (Pic 02)

To insert batteries into the devices, first remove the belt attachment: lift the attachment clip (20) and press the belt attachment upwards. Release the Battery compartment cover latch (21) located on the rear side of the unit. Open the battery compartment (23) and insert 3 AAA batteries or NI-MH rechargeable batteries (22)(not supplied), ensuring that the poles are correctly aligned. Then close the lid.

USING THE TWINTALKER

1. Turning the device on/off: To turn the devices on or off, press the on/off button (13) for 3 seconds, there will be a BEEP sound to confirm.


2. Adjusting the volume: To increase the volume, press the Up adjustor button ▲ (7) and press the Down ▼ (8) button to decrease volume.


Note: The volume level (5) is displayed on the screen.

3. Battery Charge Level/Low Battery Indication

The battery charge level is indicated by the number of squares present inside the battery icon on the LCD Screen.

 Battery Full

 Battery 2/3 charged

 Battery 1/3 charged

 Battery empty

When the battery power is low, the battery icon will flash and there will be a beep indicating that the batteries need to be replaced or recharged.

4. Receiving/transmitting communications:

The devices are in 'Reception' mode when lit up, i.e. they are ready to receive a call or sound transmitted on the activated frequency.

- When you press the Call tone button (9), the device switches to 'Transmission' mode. There will be sound signal from the walkie talkies.
- To send a voice message, press the PTT button (14) and speak into the microphone (11). Continue to press PTT the button until you finish talking.
Hold the microphone a minimum of 25mm from your face.

Note:

- The other device must be set to the same channel and have set the same CTCSS code(see point 7)
- When the transmission is complete and you can release PTT button (14), the other device will emit a sound (BEEP) to indicate that this device is ready to transmit.

5. Changing Channels

- Press the MENU button (12)once, the current channel number flashes on the display.
- Press the - ▲ button (7) or the - ▼ button (8) to change the channel.
- Press the PTT - button to (14) confirm and return to stand-by Mode.

Note: If no button is pressed within 15 seconds during setting, the unit will return to standby.

6.CTCSS (Continious Tone Coded Squelch System)

License free radio's operating on the 462.5625~467.7250 Mhz frequency band, like the kids walkie talkie , have 22 available channels channels. If there are many walkie talkie users in your neighborhood, there is a chance that some of these users are operating on the same channel. To prevent that you receive unknown signals from other users, sub-channels will be needed. Two radio's will only be able to communicate with each other not only operating on the same channel but also the same sub-channel. There are two kind of sub-channels :

- Continuous Tone Coded Squelch System (CTCSS)
When using CTCSS, a low frequency tone (between 67 and 250 Hz) will be transmitted along with the voice signal. There are 38 available tones to choose from. You are free to choose one of these 38 available tones. Due to filtering, these tones will generally not be audible so they will not disturb the communication.

7.CTCSS

- Press the PTT-button(14) twice : The current CTCSS code flashes on the display.
- Press the ▲-button(7) or the ▼-button(8) to change to another code.
- Press the PTT-button(14) to confirm and return to stand-by mode.

Note: To disable CTCSS, select code "0F?" for CTCSS in the menu.
When pressing PTT button to confirm, "OF" will be displayed.

8. VOX Selection

The walkie talkie has VOX function. In VOX mode, the walkie talkie will transmit a signal when it is activated by your voice or other sound around you without pressing PTT button. VOX operation is not recommended if you plan to use your walkie talkie in a noisy or windy environment.

Note: VOX mode will be overridden when you press the PTT - button "14" .

- Press the MENU- button(12) three times, the current VOX setting flashes on the display and the VOX icon is displayed.
- Press ▲-button(7) to set the VOX sensitivity level between 1 and 3 (level 3 is the most sensitive level).
- Press ▼-button(8) until "OF" appears on the display, to turn VOX OFF.
- Press the PTT-button(14) to confirm and return to stand-by mode.

9. Scanning for an active radio channel on the same CTCSS

- Press CALL -button(9) for 3 seconds : The 'Scan' function indicator (16) will appear on the screen and the channel (15) will scan continuously from 1 to 22.
- Press the ▼-button(8) to start the channel scan from 22 to 1. Once an active channel is found, the scanning will stop and you can listen to the transmission.

When the transmission on the found channel stops, the scanning will resume automatically.

Note: If you press the PTT button(14) while listening to a found channel, the Radios will go back in stand-by mode on the found channel.

10. Call Tones

A call tone alerts others that you want to start talking.

1. Setting the Call Tone

The Walkie talkie has 10 different call tones.

- Press the MENU- button(12) four times, "CA" is displayed and the current call tone is flashing.
- Press the ▲-button(7) or the ▼-button(8) to change to another Call Tone.
- Press the PTT - button(14) to confirm and return to stand-by Mode.

2. Sending a call Tone

Press the CALL-button(9) briefly. The call tone will be transmitted on the set channel.

11. Key-Tone On / Off

When a button is pressed, the unit will beep briefly.

To set the key-tone.

- Press the MENU- button(12) five times. "tO" will be displayed.
- Press ▲ to enable (ON) or ▼ disable the Key Tones (OF).
- Press the PTT - button(14) to confirm your selection and return to the standby mode.

12. Roger Beep On/Off

Roger Beep function is that when you finish talking and release PTT-button, the device will send out a roger beep to confirm that you have stopped talking.

To set the Roger Beep.

- Press the MENU- button(12) six times. “rO” will be displayed.
- Press ▲ to enable (ON) or ▼ disable the Roger Beep (OF).
- Press the PTT - button(14) to confirm your selection and return to the standby mode.

13.Button Lock

- Press and hold the MENU- button(12) for three seconds to activate the Button lock mode. The button lock icon (a key near the battery indicator) will be displayed on the LCD Screen.
- Press and hold the MENU- button(12) again for three seconds deactivate button lock

Note:The PTT - button(14) , the CALL -button(9) and the on/off button (13) will still be functional when the Button Lock is activated.

14. Display back light

To activate the backlight of the LCD display, press any button except the MENU- button(12).

The LCD backlight will light up for 5 seconds.

15. Battery saving function

When the device has not been used for 6 seconds, the economy mode is automatically activated. This does not affect the reception of transmissions and the standard mode is automatically reactivated as soon as a signal is detected.

16. BUILT-IN FLASH LIGHT

As an added feature, your walkie talkie has a built-in flashlight that can be used in sending light signals or for your lighting needs with a button on the right side of the device.

17 Charge The PMR(PIC 02)

In the event you wish to use the unit with rechargeable battery. You will be required to use an DC adaptor.

- Install 3.6V “AAA” NI-MH rechargeable battery Pack into the unit.
- Place the unit into the Charger Base.
- Put the adaptor into the wall outlet and insert the round end into the Charge Jack on the rear of the charger base.
- The LEDlight on Charger Base will turn RED once electricity get connected.

EU Channel Frequency				
Channel	1	2	3	4
Frequency	446.00625	446.01875	446.03125	446.04375
Channel	5	6	7	8
Frequency	446.05625	446.06875	446.08125	446.09375

USA Channel Frequency				
Channel	1	2	3	4
Frequency	462.5625	462.5875	462.6125	462.6375
Channel	5	6	7	8
Frequency	462.6625	462.6875	462.7125	467.5625
Channel	9	10	11	12
Frequency	467.5875	467.6125	467.6375	467.6625
Channel	13	14	15	16
Frequency	467.6875	467.7125	462.5500	462.5750
Channel	17	18	19	20
Frequency	462.6000	462.6250	462.6500	462.6750
Channel	21	22		
Frequency	462.7000	462.7250		

FCC NOTICE AND DECLARATION

This device complies with Part 15 of the FCC Rules. Operation is subject to the following two conditions:

1. This device may not cause harmful interference, and
2. This device must accept any interference received, including interference that may cause undesired operation

Any modification to a walkie-talkie to receive transmissions from Service frequency bands voids the certification of the scanning receiver, regardless of the date of manufacture of the original unit. In addition, the provisions of FCC §15.23 shall not be interpreted as permitting modification of a scanning receiver to receiver Cellular Radiotelephone Service the Cellular Radiotelephone transmissions.

Caution:

- . To maintain compliance with the FCC's RF exposure guideline, hold the transmitter and antenna at least 1 inch (2.5 centimeters) from the face and speak at a normal volume/pitch, with the antenna pointed up and away from the face.
- . This device complied with FCC RF radiation exposure limits set forth an uncontrolled environment.
- . Use only the antenna supplied. Unauthorized antennas, modifications, or attachments could damage the transmitter and may violate FCC regulations.

This product is authorized to operate at a duty factor not to exceed 50%. To transmit (talk), push the PTT, to receive calls, release PTT key. Transmitting 50% of the time or less is important because the radio generates RF energy only when it transmits. When worn on the body, always use the manufacturer's belt clip and accessories approved with this product. Use non-approved accessories may result in exposure levels which exceed the FCC's RF exposure limits.

The device operates on GMRS (General Mobile Radio Service) frequencies, which require an FCC (Federal Communications Commission) license. You must be licensed prior to transmitting on all channels, which comprise of GMRS channels. Serious penalties could result for unlicensed use of GMRS channels, in violation of FCC rules, as stipulated in the Communications Act's Sections 501 and 502 (amended).

You will be issued a call sign by the FCC, which should be used for station identification when operating the radio on GMRS channels. You should also cooperate by engaging in permissible transmissions only, avoiding channel interference with other GMRS users, and being prudent with the length of their transmission time. To obtain a license or ask questions about the license application, contact the FCC at 1-888-CALL-FCC or go to the FCC's website: <http://www.fcc.gov> and request form 605.