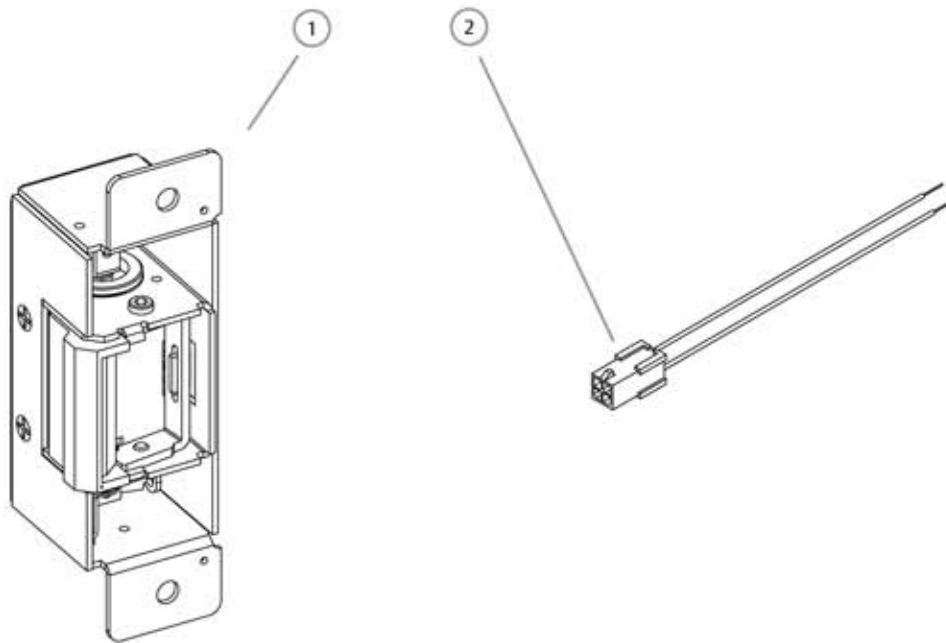


## Product Components



### Diagram 1: Electrical Specifications

ELECTRICAL RATINGS FOR SOLENOID	CONTINUOUS DUTY	
	12VDC	24VDC
Resistance in Ohms	26.7	96
Amps	.45	.25

Solenoids are rated at +/- 10% indicated value.

MINIMUM WIRE GAUGE REQUIREMENTS	SOLENOID VOLTAGE	
	12VDC	24VDC
200 feet or less	18 gauge	20 gauge
200 - 300 feet	16 gauge	18 gauge
300 - 400 feet	14 gauge	16 gauge

**CAUTION!** Before connecting any device at the installation site, verify input voltage using a multimeter. Many power supplies and low voltage transformers operate at higher levels than listed. Any input voltage exceeding 10% of the solenoid rating may cause severe damage to the unit and will void the warranty.

## Prepare Strike

**CAUTION:** The 7000 series strike body ships as either a 12 or 24 volt unit, and is not field selectable. Verify that the power supply matches the voltage of the strike.

1. Make certain that the electric strike is in correct mode of operation for your application. This electric strike ships in fail secure mode. To convert the unit to fail safe, see Diagram 2.
2. If using Latchbolt Monitor (LBM), see Diagram 3.

3. Attach the faceplate option to the electric strike using the hardware and instructions included with the option kit.

## Prepare Frame

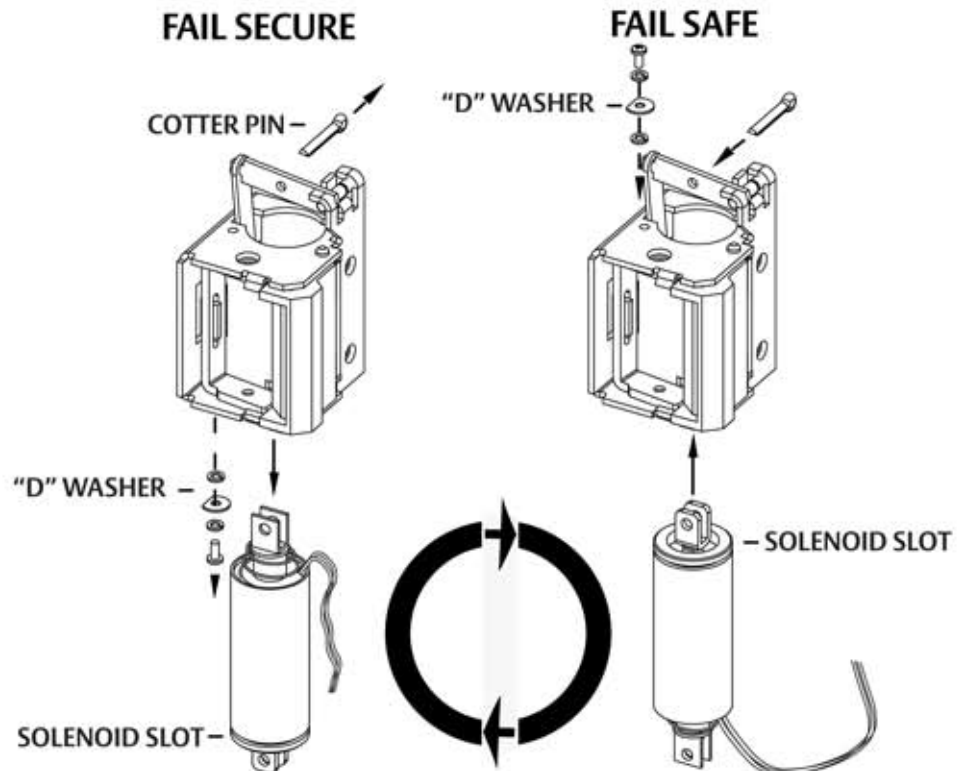
4. Prepare door jamb per the appropriate template detail (see pages 3-4).

## Finish Installing

5. Connect power to the electric strike, and install into jamb using the hardware provided with the option kit.

## DIAGRAM 2: FAIL SAFE CONVERSION

1. Remove the cotter pin from the solenoid linkage.
2. Remove the solenoid mounting screw and washers.
3. Remove the solenoid from the keeper module.
4. Turn the solenoid upside down, and reinsert it into the keeper module.
5. Re-install the mounting screw and washers at the opposite end of the keeper module. Make certain that the "D" washer is positioned firmly into the solenoid slot.
6. Replace the cotter pin to secure the solenoid linkage.
7. Ensure cotter pin is bent over and does not make contact with the 791 and 792 options.

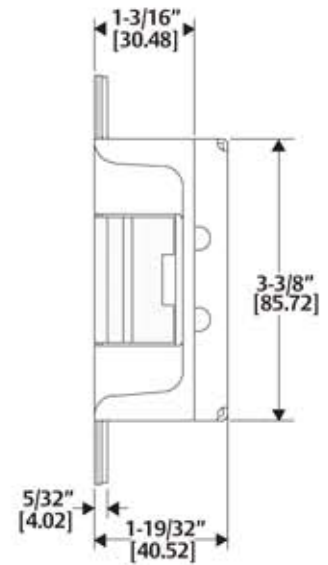
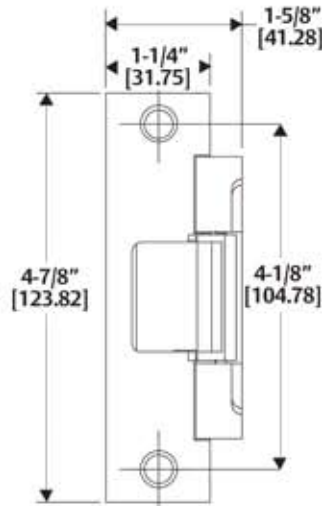
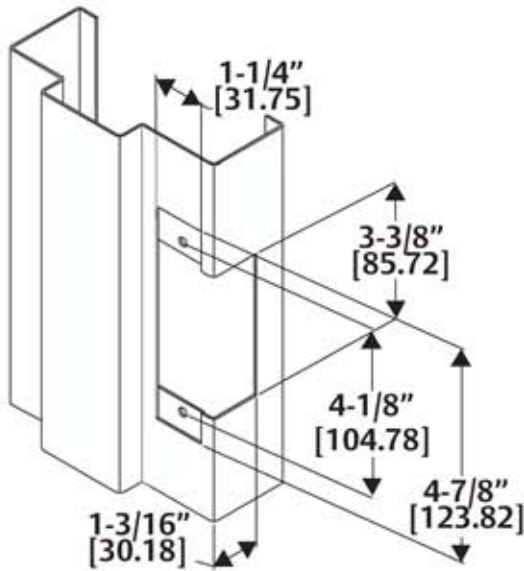


## DIAGRAM 3: LBM WIRING

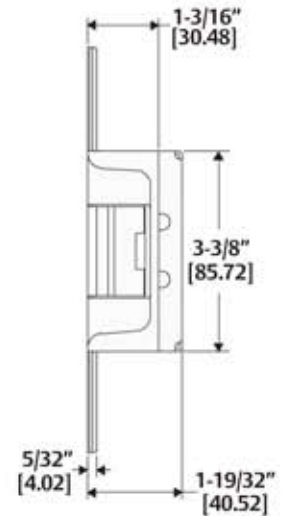
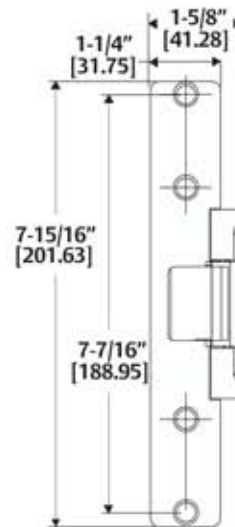
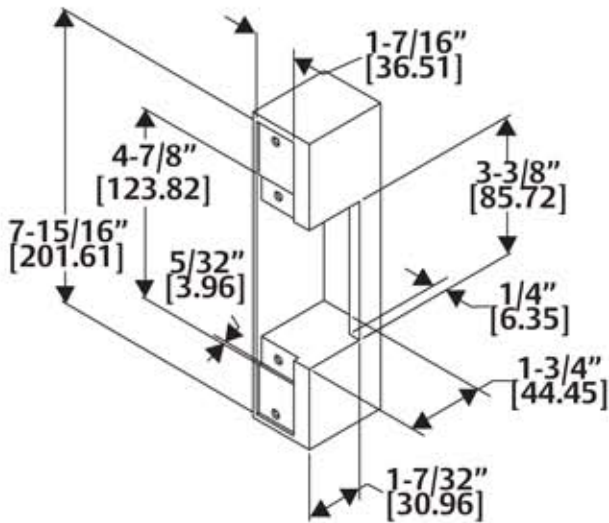
LBM WIRING	
White	Common
Orange	Normally Open
Green	Normally Closed



## 791 OPTION



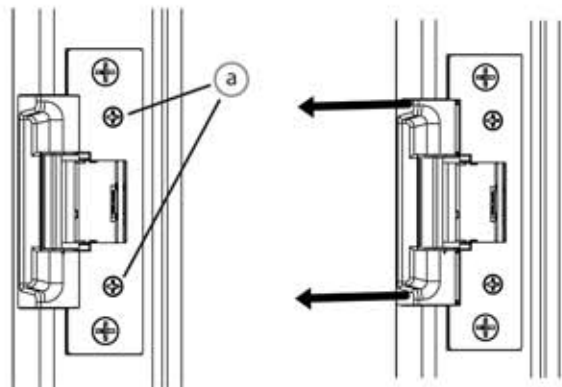
## 792 OPTION



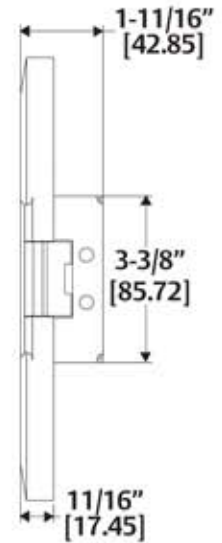
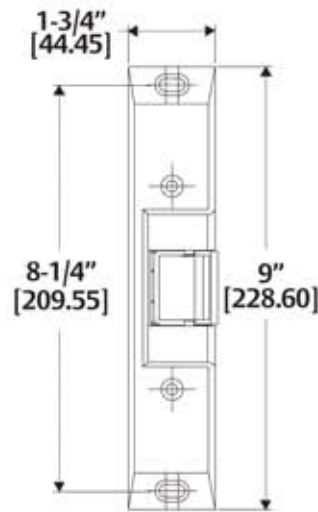
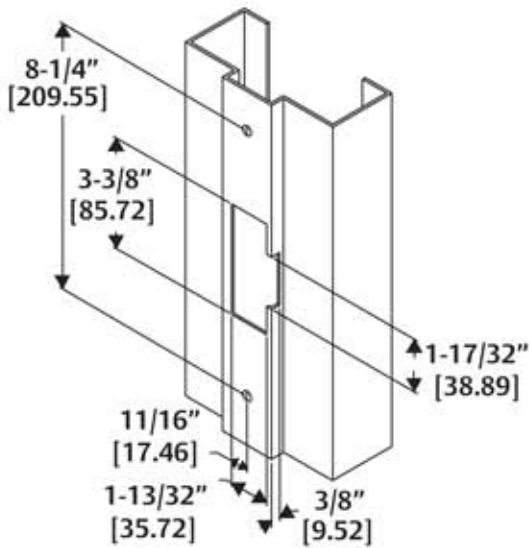
## HORIZONTAL ADJUSTMENT

a. To employ horizontal adjustment in the 791 & 792 options, loosen the screws (a), but do not remove.

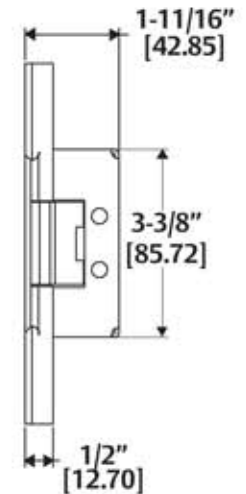
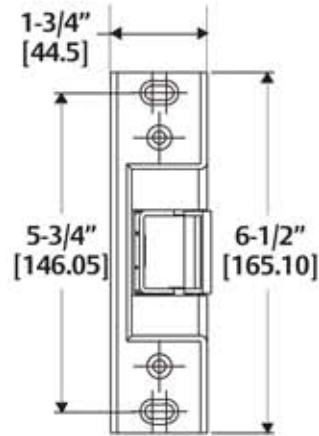
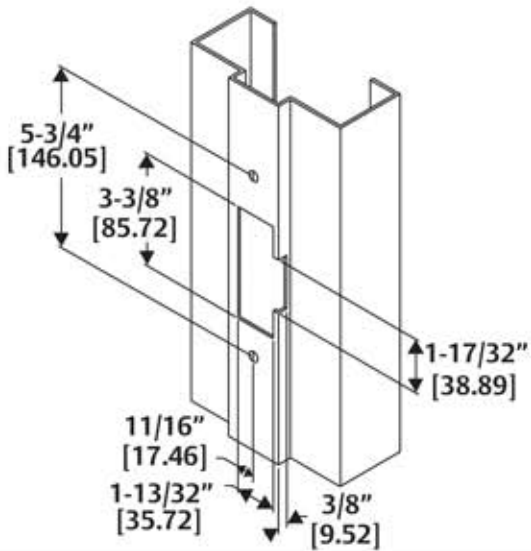
b. Shift the electric strike to the proper horizontal position and tighten the screws (a).



## 783 OPTION



## 786 OPTION



## 789 OPTION

