



PROXTRAK™

**4043A AMH100 HandHeld Reader
User Manual**

4043A AMH100 HandHeld Reader User Manual

October 16, 1998

Overview

This document describes how to install and operate the HID ProxTrak™ (Also known as 4043A AMH100 HandHeld Reader) HandHeld Reader. The HID HandHeld Reader is a unit designed to work in conjunction with the Symbol PDT 6100 HandHeld Computer. Together, the system is capable of reading from and writing to an IBM PC with the AssetID™ Radio Frequency (RF) interface. The HandHeld Reader unit is connected to the Symbol 6100 unit via a coiled cable with an RJ-45 style connector. When connected, the HID HandHeld Reader and HandHeld Computer (PDT 6100) communicate through an RS-232 protocol. The HID HandHeld Reader receives power as well as commands from the HandHeld Computer. When the HandHeld Reader receives a command from the HandHeld Computer, it executes the command and sends back the appropriate response to the HandHeld Computer.

Hardware Setup

1. Connect the RJ45 connector at the end of the HandHeld Reader into the Symbol PDT6100 HandHeld computer.
2. Turn on the HandHeld Computer by pressing the round button near the lower right hand corner of the display.

Operating the HandHeld Reader

1. Select the desired command/process from the menu of the Symbol HandHeld Computer.
2. When a command is entered, the LED on the HandHeld Reader flashes red and continues to flash red approximately every 3 seconds while no tag is in the field.
3. When the HandHeld Reader is placed within range of a tag, the HandHeld Reader LED continues flashing red at an increased rate indicating that the HandHeld Reader unit is working.
4. The HandHeld Reader flashes green for approximately 250ms after a successful execution of a command or until a subsequent command is received.
5. If there is no tag detected, the HandHeld Reader sends back a “no tag” message to the HandHeld Computer.
6. If the command sent to the tag fails, a failure message will be sent to the HandHeld Computer.

Tag Orientation

It is important to orient the HandHeld Reader correctly for a successful read/write of the tag.

HandHeld Reader Orientation – PC in a box

1. Locate the target symbol on the outside of each box. See figure 1.
2. Hold the HandHeld Reader parallel to the tag located behind the Asset ID™ target symbol on the box. Refer to the orientation diagram seen in figure 2 for correct positioning.
3. The HandHeld Reader should be held vertically for a desktop computer box and horizontally for a tower computer box. **Note that for the desktop, the HandHeld Reader is actually oriented 90° from the words Asset ID™ on the target label.**

Figure 1



4. Move the HandHeld Reader toward the box until it is within a range of 0" to 2" .

Figure 2

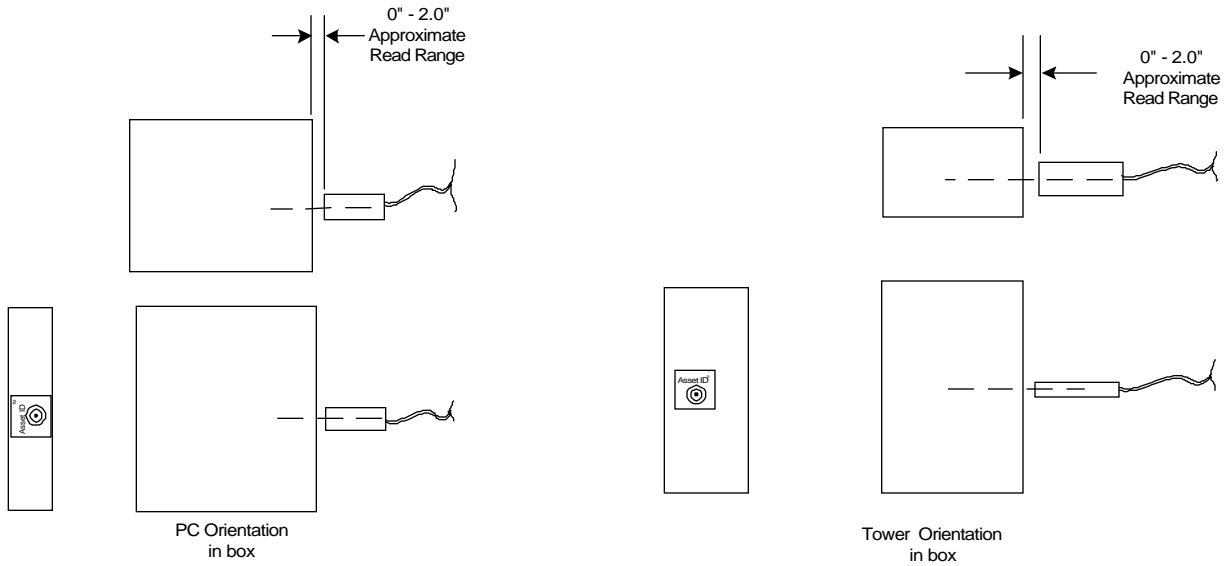
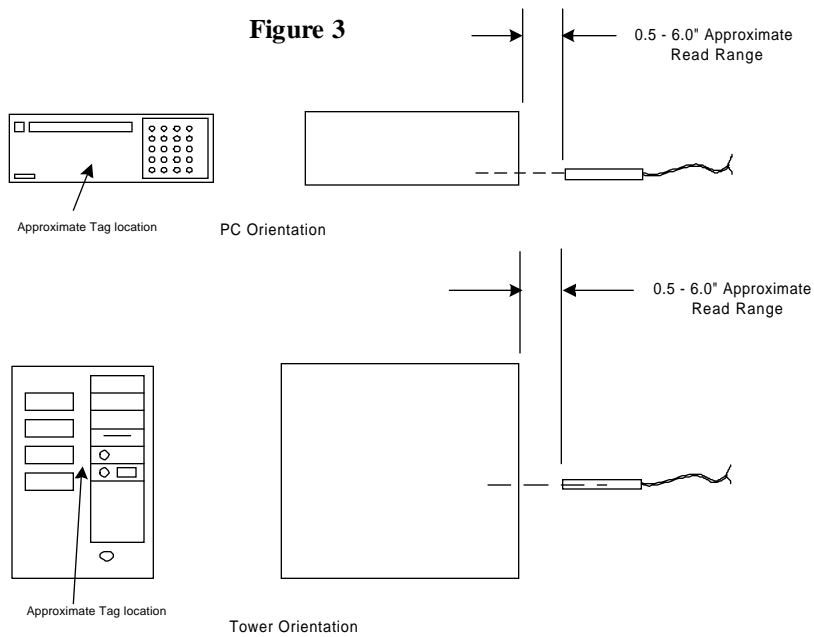


Figure 2: Target is shown only as a guide and is not on PC. Target position reflects approximate position of tag in PC.

Orientation – PC out of a box

1. Hold the HandHeld Reader according to the orientation illustrated in the figure 3, below.

Figure 3



Troubleshooting the HandHeld Reader

The LED on the HandHeld Reader is not lit.

1. Check to make sure the RJ45 connector is securely seated into the connection location on the Symbol HandHeld Computer.
2. Make sure the HandHeld Computer is turned on. Make sure the red LED is blinking. If the HandHeld Reader connection is secure and the LED is not blinking, contact Technical Support.

When I present a tag, the LED flashes red at about once per 3 seconds

1. Be sure the HandHeld Reader is oriented in the correct position to read the tag, refer to figure 2.
2. Confirm that the HandHeld Reader is with ½" to 6" (0"-2" if PC in box) from the tag for best read/write performance.
3. Be sure that a command/process was selected from the menu on the HandHeld Computer.
4. Be sure the system being read has the AssetID™ subsystem installed.

When I present a tag, the LED flashes at rate greater than once per 3 seconds but does not flash green

1. Be sure the HandHeld Reader is oriented in the correct position.
2. Be sure the AssetID subsystem of the system being read/written is operating normally.

Notes:

AssetID™ is a trademark of IBM Corporation
ProxTrak™ is a trademark of HID Corporation