

Installation Guide

iCLASS™ Reader Models R10, R30, R40, RW300, RW400



PARTS INCLUDED

- 1 - *iCLASS* Reader
- 1 - Installation Manual
- 2 - 3.5mm x .6 pitch x 12mm Phillips machine screws
- 3 - #6-32 x .375" Phillips self-tapping machine screws
- 2 - #6 x 1.5" Phillips sheet metal screws
- 1 - #6 x .375" Spanner security screw, anti-tamper

Recommended:

- Up to 9 wire splices
- Cable, 5-9 conductor (Wieg. or RS232), 22awg shielded
- Linear DC Power supply
- Metal or plastic junction box
- Magnetic switch - Ademco 945T, Sentrol 1038T, GRI 100T or 110T or Aleph DC-2531
- Security Tool (for anti-tamper screw) HID 04-0001-03

SPECIFICATIONS

- R10 (Mullion).....10 - 16VDC / 65-225mA
- R30/RW300 (Euro).....10 - 16VDC / 80-260mA
- R40/RW400 (US).....10 - 16VDC / 80-260mA
- Cable distance to Host.....Wiegand - 500 feet (152m) max
RS-232 - 50 ft (15m)
- Temperature.....-35° C to 65°C
- Open collector output.....sink - 40mA, source - 1mA

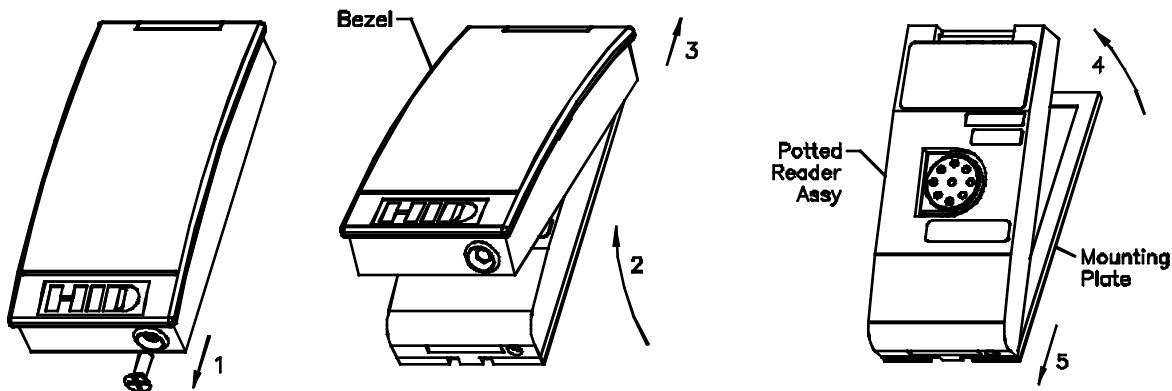
Standards:

- Read/Write* capability in ISO 15693-2 mode with HID *iCLASS* credentials
- Read/Write* capability in ISO 14443-B2 mode with HID *iCLASS* 16Ks and other 3rd party credentials
- CSN read capability for ISO 14443-A1 with HID Mifare and other 3rd party Mifare credentials

* R10, R30, R40 are read-only

INSTALLATION

1- Disassemble



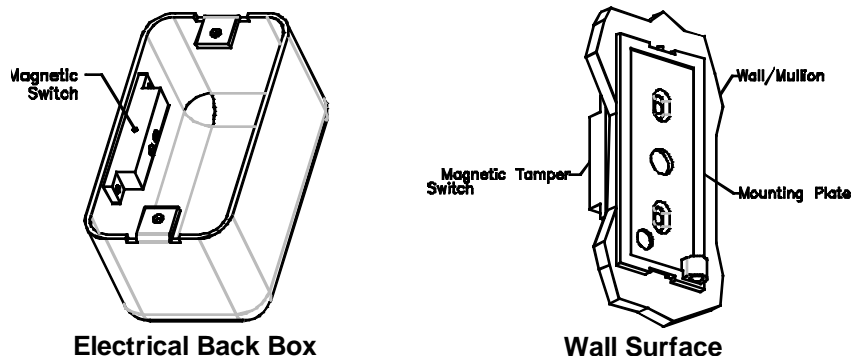
1- Remove Screw

2 - Lift Bottom of Bezel
3 - Slide Bezel up and remove

4 - Lift top of Reader Assembly
5 - Slide down and remove

2- Install Tamper Switch

An internal magnet provides tamper indication when used with a magnetic reed switch connected to an external alarm system. (Except R10). Locate Switch behind the left side of the mounting plate, centered between the mounting holes.



Electrical Back Box

Wall Surface

An ASSA ABLOY Group company

ASSA ABLOY

Installation Guide

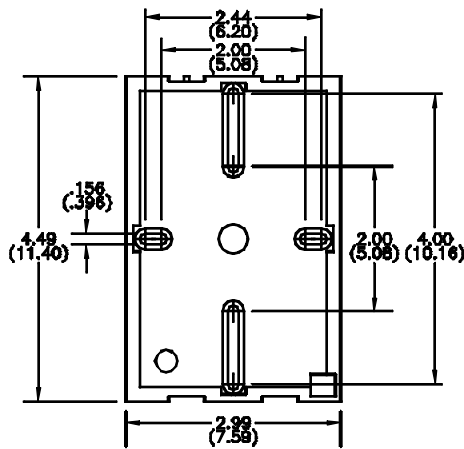
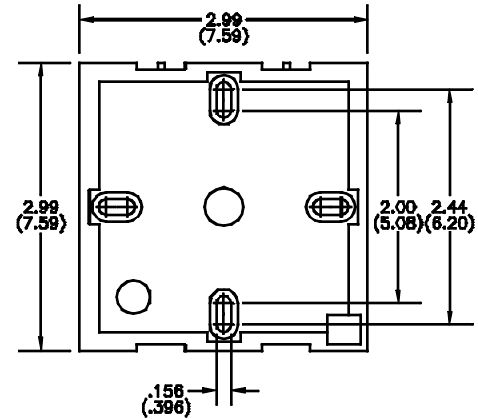
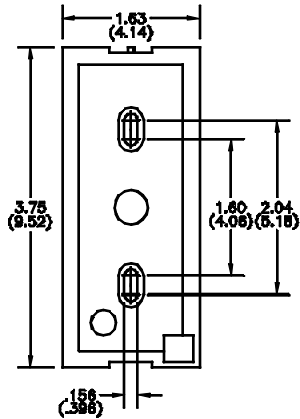
iCLASS™ Reader Models R10, R30, R40, RW300, RW400



3- Preparing/Mounting

Install Mounting Plate to wall surface or back box, then reassemble reader (reverse Step 1 procedure).

Dimensions are in inches (centimeters).



R10 Mounting Plate

R30/RW300 Mounting Plate

R40/RW400 Mounting Plate

4- Connecting

Yellow	*Speaker
Blue	*Hold
Violet	***Open Collector
White	Data 1
Green	Data 0
Orange	*Green LED
Brown	*Red LED
Red	+DC (10-16 VDC)
Black	Ground
Gray	***RX (Serial Receive)
Red/Green	***DSR (Not Used)
Pink	***TX (Serial Transmit)

5- Testing

- **Turn Power On** - watch the sign-on LED and hear the speaker tones sequence.
- **Use a Test Card** - watch for the LED flash and hear the Speaker tone for each card read.

6- Optional Features

- **RS232 interface/Host Mode** - for applications requiring a serial link. See Protocol Document 6090-902 for information
- **Open Collector Output** – controls an external device (13.8VDC Max) operating in Host Mode only. See *iCLASS* Application Note for details
- **Configuration Options** - Configure LED, Speaker, and other features. See How To Order Guide or *iCLASS* Application Note for details

Installation Guide

iCLASS™ Reader Models R10, R30, R40, RW300, RW400



Red/Yellow

***DTR (Not Used)

- **Hold Input** – when asserted, this line either buffers a card read or disables a card read until released, as configured.

Drain

**Shield Ground

* Optional Connections. ** Drain wire can be data return line when a separate power supply is used. *** Not used on R10, R30, R40

FCC WARNING:

This device complies with part 15 of the FCC rules. Operation is subject to the following two conditions: (1) this device may not cause harmful interference, and (2) this device must accept any interference received, including interference that may cause undesired operation. For proper regulatory compliance, the drain wire should not be connected to ground at the power supply end of the cable. The reader is intended to be powered from a limited power source output of a previously certified power supply. Changes or modifications not expressly approved by the party responsible for compliance could void the user's authority to operate the equipment.