

Installation Guide

iCLASS Reader Models RK40 & RWK400



PARTS INCLUDED

- 1 - iCLASS Keypad Reader
- 1 - Installation Manual
- 2 - 3.5mm x .6 pitch x 12mm Phillips machine screws
- 3 - #6-32 x .375" Phillips self-tapping machine screws
- 2 - #6 x 1.5" Phillips sheet metal screws
- 1 - #6-32 x .375" Spanner security screw

Recommended:

- Up to 10 wire splices *
- Cable, 9 conductor, 22AWG, shielded (Wiegand)
- Cable, 6 conductor, 22AWG, shielded (Serial)
- Linear DC Power Supply
- Metal or plastic junction box
- Security Tool (for security screw) HID 04-0001-03
- Magnetic Tamper switch - Ademco 945T, Sentrol 1038T, GRI 100T or 110T or Aleph DC-2531

* RK40 available with 18" wire pigtail or 10-pos. removable screw terminal connector. RWK400 includes 8-pos. and 10-pos. removable screw terminal connectors.

SPECIFICATIONS

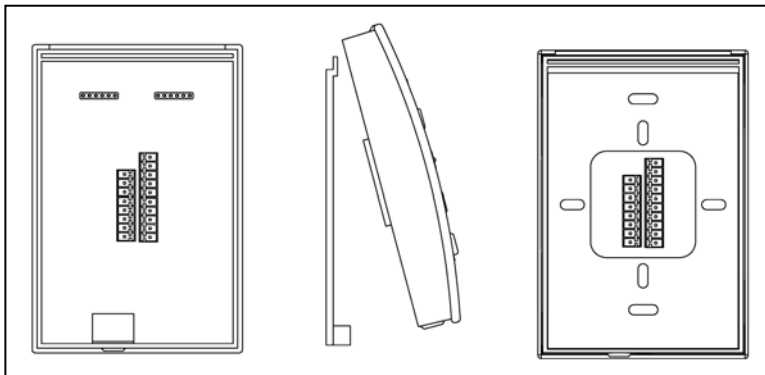
- Voltage Range: 12VDC (10 - 16VDC).
- Current: 100mA avg / 220mA peak.
- Cable distance to Host: 500ft (152m) max – Wiegand.
50ft (15m) max – RS-232.
4000ft (1216m) max – RS-485.
- Op. Temperature: -31°F - +149°F (-35°C – +65°C)
- Open collector output: Sink – 40mA, source – 1mA.

Standards:

- Read/Write* capability in ISO 15693-2 mode with HID iCLASS credentials.
 - Read/Write* capability in ISO 14443-B mode with HID iCLASS 16KS.
 - Read capability of CSN/UID in ISO 14443-A1 mode with HID Mifare and other 3rd party Mifare credentials.
- * RK40 is a read only, while RWK400 is a read/write unit.

INSTALLATION

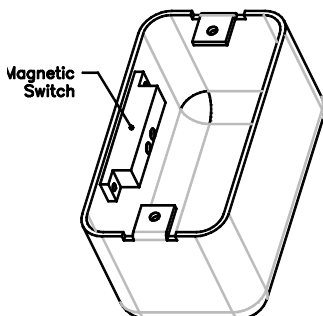
1- Disassemble



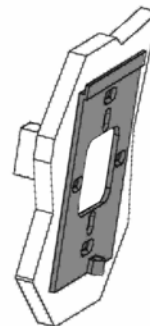
- Remove the screw at the bottom of the unit.
- Lift the mounting plate out at the bottom side
- Slide mounting plate down

2- Install Tamper Switch

An internal magnet provides tamper indication when used with a magnetic reed switch connected to an external alarm system. Locate Switch behind the left side of the mounting plate, centered between the mounting holes.



Electrical Back Box



Wall Surface

An ASSA ABLOY Group company

ASSA ABLOY

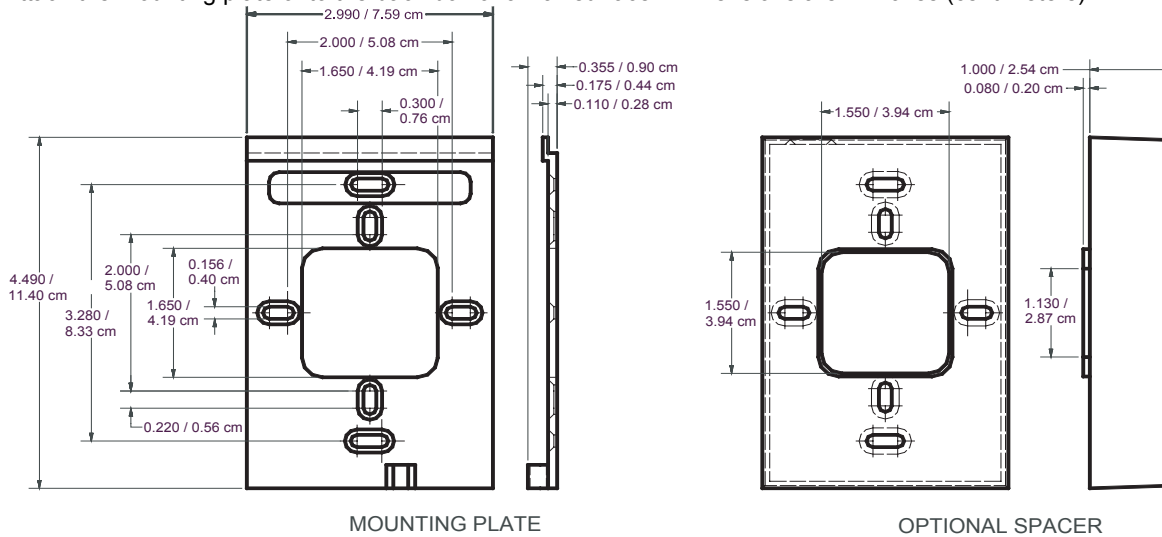
Installation Guide

iCLASS Reader Models RK40 & RWK400



3- Install Mounting Plate

Attach the mounting plate onto the back box or a wall surface. Dimensions are in inches (centimeters).



4- Connecting

Serial Port (Model RWK400 Only)		Wiegand Port (Models RK40, RWK400)		
8 Pin Terminal	Function	10 Pin Terminal	Color-coded Pigtail	Function
1	Ground	10	Violet	Open Collector ¹
2	Y / RS-232 TX	9	Blue	Hold ¹
3	Z	8	Yellow	Speaker ¹
4	Ground	7	Drain	Shield Ground ²
5	RS485B / RS-232 RX	6	Brown	Red LED ¹
6	RS-485A	5	Orange	Green LED ¹
7	Ground	4	White	Data 1
8	DC+	3	Green	Data 0
		2	Black	Ground
		1	Red	+DC (10-16 VDC) ³

¹ Optional Connections

² Drain wire can be used for data return line when a separate power supply is used.

³ +DC, Return & Drain wires are common between the Wiegand and Serial Ports.

⁴ In RS-485 mode, pin 2 must be connected to pin 6 and pin 3 must be connected to pin 5 with jumpers at the connector.

5- Testing

- Turn Power On – Watch the sign-on LED and hear the speaker tone sequences.
- Read Card – Present a valid card to the reader and verify the visual and audio feedbacks.

6- Mounting

Reverse the procedure in step 1 to attach the unit to the mounting plate.

Optional Features

RS232/485 interface/Host Mode - for applications requiring a serial link. See Protocol Document 6090-902 for information

Open Collector Output – controls an external device (13.8VDC Max). See iCLASS Application Note for details

Configuration Options - Configure LED, Speaker, and other features. See How To Order Guide or iCLASS Application Note for details

Hold Input – when asserted, this line either buffers a card read or disables a card read until released, as configured.

FCC WARNING:

This device complies with part 15 of the FCC rules. Operation is subject to the following two conditions: (1) this device may not cause harmful interference, and (2) this device must accept any interference received, including interference that may cause undesired operation. For proper regulatory compliance, the drain wire should be disconnected at the power supply end of the cable. The reader is intended to be powered from a limited power source output of a previously certified power supply. Changes or modifications not expressly approved by the party responsible for compliance could void the user's authority to operate the equipment.

An ASSA ABLOY Group company

ASSA ABLOY