

P/N S181TC-2450R

Alternative Connectors

.SMA Reverse Polarity Plug(female)

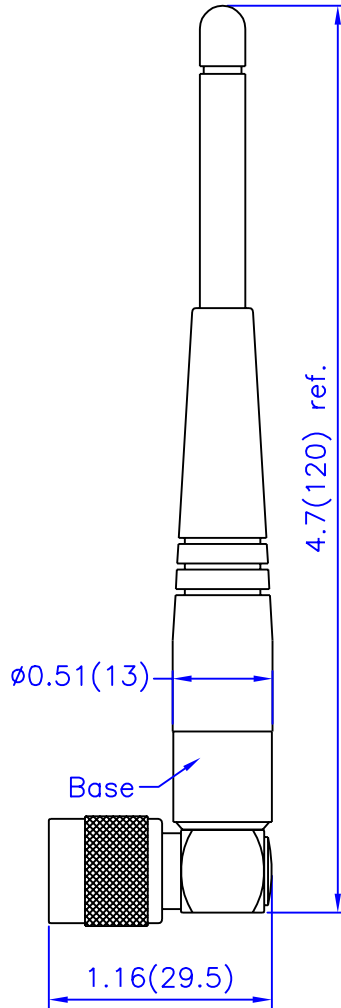
P/N: S181TR-2450R

Electrical Properties:

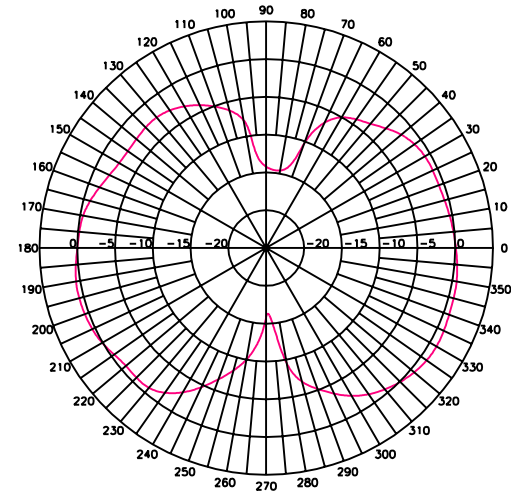
Frequency Range: 2.4~2.5 GHz
 Impedance: 50Ω nominal
 VSWR: <2.0:1
 Gain: 2 dBi
 Radiation: Omni
 Polarization: Vertical
 Wave: Half Wave Dipole

Mechanical Properties:

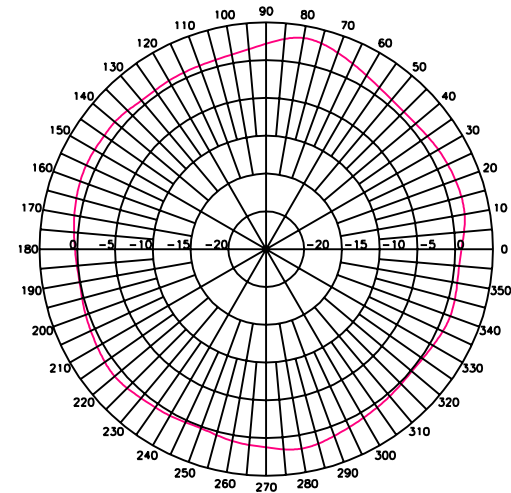
Connector: TNC Plug(male)
 Material:
 Whip: Polyurethane(Black)
 Base: Polycarbonate(Black)
 Connector: Brass with black chrome plating
 Operation Temp.: -20°C to +65°C
 Storage Temp.: -30°C to +75°C



E-Plane Pattern @ 2.45GHz

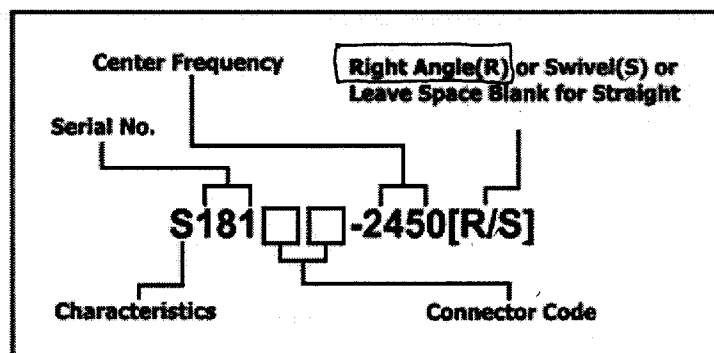


H-Plane Pattern @ 2.45GHz



TITLE	2.4GHz Right Angle Antenna 181 Model	VER
UNIT	DWG. NO. S181TC-2450R	
in.(mm)	NEARSON	
SCALE		
1:1		

Selection Guide



EXAMPLE: S181AH-2450S

Description: ISM band, 181 Series swivel, SMA reverse polarity plug connector at 2.45 GHz central frequency

**Search Our Existing Products:
Start from the Antennas Types:**

... Select Antennas Type ...

Characteristics Code

- M** SMR (806~866MHz)
- (S)** ISM (902~928MHz, 2.4~2.5GHz)
- C** Cellular (824~896MHz, 890~960MHz)
- P** PCS/DCS (1850~1990MHz, 1710~1880MHz)
- L** Land Mobile (VHF and UHF)
- X** Dual Band (VHF and UHF)
- D** Dual Band (Cellular/PCS)

Connector Code

- TC** TNC Plug
- (TR)** TNC Reverse Polarity Plug
- AM** SMA Plug
- AF** SMA Jack
- AH** SMA Reverse Polarity Plug
- AT** SMA Reverse Thread Plug
- BC** BNC Plug
- N** N Plug
- MX** MCX Plug
- MM** MMCX Plug
- MU** Mini-UHF Plug
- NC** No Connector

*If you have any special requirement, please contact us
OEM and ODM welcome in quantity.*