

Bluetooth/GPS Handheld PDA Product Guide



© Copyright 2007 Hewlett-Packard
Development Company, L.P.

HP iPAQ products are powered by
Microsoft® Windows Mobile® 6.0 with
Messaging and Security Feature Pack.

Microsoft Windows, the Windows logo and
Activesync/Windows Mobile Device Center
are trademarks of Microsoft Corporation in
the U.S. and other countries.



Java

POWERED Java and all Java-based
trademarks and logos are trademarks or
registered trademarks of Sun Microsystems,
Inc. in the U.S. and other countries.



SD Logo is a trademark of its
proprietor.

Bluetooth® is a trademark owned by its
proprietor and used by Hewlett-Packard
Development Company, L.P. under license.

All other product names mentioned herein
may be trademarks of their respective
companies.

Hewlett-Packard Company shall not be liable
for technical or editorial errors or omissions
contained herein. The information is
provided "as is" without warranty of any kind
and is subject to change without notice. The
warranties for Hewlett-Packard products are
set forth in the express limited warranty
statements accompanying such products.
Nothing herein should be construed as an
additional warranty.

This document contains proprietary
information that is protected by copyright. No
part of this document may be photocopied,
reproduced, or translated to another
language without the prior written consent of
Hewlett-Packard Development Company,
L.P.

May 2007

Table of contents

1 Register the Travel Companion

2 Box contents

Box contents	2
--------------------	---

3 Components

Front components	3
Left and right components	3
Top components	4
Back components	4

4 Learn the basics

Status icons	6
Enter owner information	6
Perform a soft reset	6
Perform a factory reset	6
Lock and unlock the Travel Companion	6
Adjust the volume	6
Change power management settings	7
Dim or adjust the brightness of the backlight	7
Change the device name	7
Set alarms	7
Obtain services for a cracked or damaged screen	7
Protect the Travel Companion screen from cracking or damage	8
Battery saving tips	8
Check the battery charge level	9

5 Navigation Quick Start

Install the battery	10
Power on and set up the Travel Companion	10
Set up the Travel Companion	10
Step 1: Remove the battery cover	10
Step 2: Install the battery and replace the battery cover	10
Step 3: Charge the battery	10
Power on the Travel Companion	11
Car Kit setup	11
Menus	12
Navigation setup	12
Navigate to destinations	12
Save destinations	12
Preferences	12
Points Of Interest (POI)	12

6 Enter text

7 Connections

Bluetooth terms	14
Work with Bluetooth Manager	14
Bluetooth Phone Manager	14
Connect to a computer via Bluetooth	15
Bluetooth device profiles	15
Create, end, and accept a Bluetooth partnership	15
Rename a Bluetooth partnership	15
Make a device discoverable	15
Open Bluetooth settings	15
Set up an incoming or outgoing Bluetooth Serial (COM) port	15

8 Entertainment

Media Player	16
Music	16
Video	16
Picture Viewer	16

9 Contacts

10 Calculator

11 Internet Explorer Mobile

12 Storage cards

Storage cards	20
Insert a storage card	20
Remove a storage card	20
View content of a storage card	20

13 Product specifications

System specifications	22
Physical specifications	23
Operating environment	23

14 Regulatory notices

Federal Communications Commission Notice	24
Modifications	24
Cables	24
Declaration of Conformity for Products Marked with the FCC Logo (United States Only) .	25
Canadian Notice	25
Avis Canadien	25
European Union Notice	25
Products with 2.4-GHz Wireless LAN Devices	27
France	27

Italy	27
Battery Warning	27
Battery Recycling	27
Battery Disposal	27
Equipment Warning	28
Acoustics Warning	28
Airline Travel Notice	29
Medical Electronic Equipment	29
Wireless Notices	29
U.S. Regulatory Wireless Notice	29
Canadian Regulatory Wireless Notice	29
Brazilian Notice	29
Japanese Notice	29
Bluetooth Devices	30
Taiwan DGT Notice	30
Korean Notice	30

15 Frequently asked questions

I am having trouble turning on the Travel Companion. What should I do?	31
I have trouble charging my battery. What should I do?	31

16 Guidelines for care and maintenance

Using the Travel Companion	32
Cleaning the Travel Companion	32
Carrying or storing the Travel Companion	32
Using accessories	32
Using the Travel Companion in public places	32

1 Register the Travel Companion

You need to register the Travel Companion with Hewlett-Packard to be able to:


- Access support and services, and get the most out of your HP products.
- Manage your profile.
- Sign up for free support alerts, driver notices, and personalized newsletters.

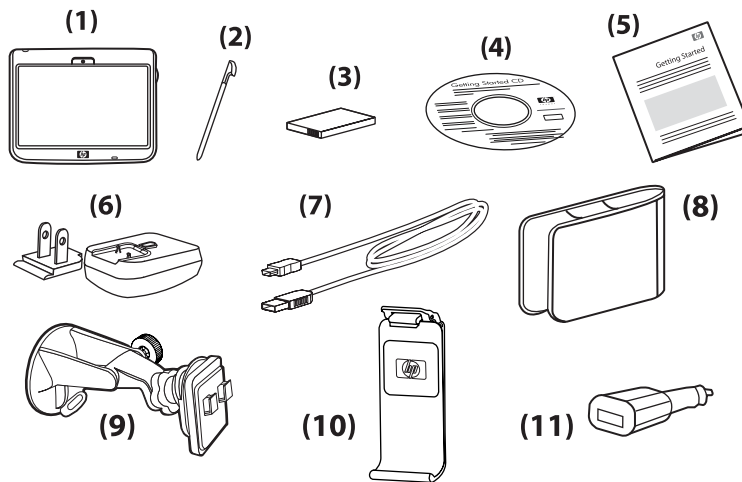
After registering the Travel Companion, you will receive an e-mail message regarding special offers and promotions. Visit <http://www.register.hp.com> to register the Travel Companion or update your mail or e-mail address after registration. You are required to enter your user ID and registration password to edit your profile online.

2 Box contents

Box contents

This illustration depicts the items that come in the box with the Travel Companion. Use this illustration to become more familiar with the device.

 **NOTE:** Box contents vary by model.

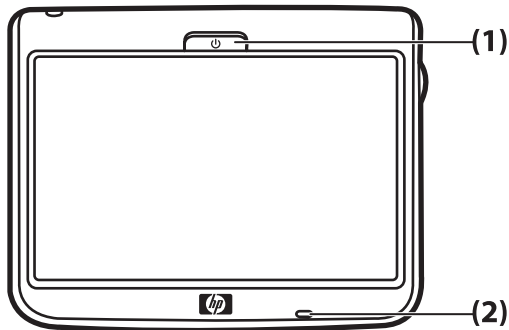


Box Contents

(1)	Travel Companion
(2)	Stylus
(3)	1700mAH li-ion removable/rechargeable battery
(4)	<i>Getting Started</i> CD with additional software
(5)	Travel Companion Documentation
(6)	AC adapter with interchangeable plug
(7)	Mini-USB synchronization cable/power cable
(8)	Case
(9)	Car kit – holder
(10)	Car kit – windshield mounting bracket
(11)	Car kit – Travel power adapter

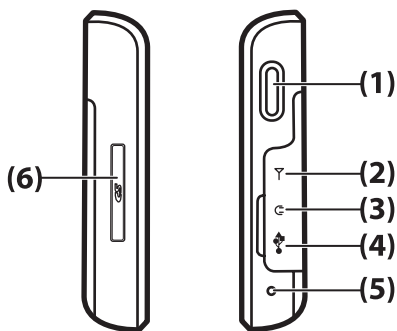
3 Components

Front components



	Component	Function
(1)	Power Key	Press and hold turn on the Travel Companion.
(2)	Led	PLACEHOLDER: NEED MORE INFORMATION

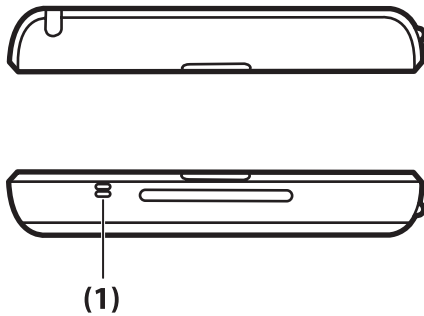
Left and right components



	Component	Function
(1)	Scroll and click wheel	PLACEHOLDER: NEED MORE INFORMATION
(2)	PLACEHOLDER	PLACEHOLDER: NEED MORE INFORMATION

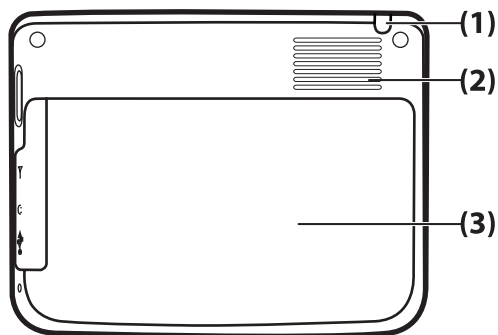
(3)	3.5 mm Audio jack	Insert 3.5–mm with 3 and 4 pin support for audio.
(4)	Charging/Communications Port	Use to connect the mini-USB synchronization cable.
(5)	Reset	Use to reset the Travel Companion.
(6)	SD Card Slot	Insert a Secure Digital (SD) storage card with the label side up for data storage.

Top components



	Component	Function
(1)	Microphone	Use to record voice notes.

Back components



	Component	Function
(1)	Stylus	Use to select elements on the screen and to enter information.

(2)	Back Speaker	Use the speaker to listen to audio.
(3)	Back Cover	Slide the cover away from the Travel Companion to remove the battery.

4 Learn the basics

Status icons

PLACEHOLDER: NavNgo to provide content

Enter owner information

Enter your owner information so that the Travel Companion can be returned to you if it is lost.

PLACEHOLDER: NEED MORE INFORMATION

Perform a soft reset

A soft reset stops all running applications, but does not erase any programs or saved data.

 **NOTE:** Be sure to close all running applications before performing a soft reset.

To perform a soft reset:

1. Locate the recessed **Reset** button on the Travel Companion.
2. Use the stylus to lightly press the **Reset** button.

Perform a factory reset

A factory reset clears all user-installed settings, programs, and data, and restores the Travel Companion to factory settings.

PLACEHOLDER: NavNgo to provide content

Lock and unlock the Travel Companion

You can lock the Travel Companion to prevent accidental key presses while you carry your device.

To lock the Travel Companion, tap the  (lock) icon.




To unlock the Travel Companion:

1. Tap **Unlock**.
2. Under **Do you want to unlock the screen**, tap **Yes** to unlock the screen or tap **No** to cancel.

Adjust the volume

You can change the volume for various sounds, such as the sound you hear when you tap program names and menu options.

To change the volume:

1. Tap the  (Increase volume) icon to increase the volume.
2. Tap the  (Decrease volume) icon to decrease the volume.
3. Tap the  (mute) icon to turn off all sounds and notifications.

Change power management settings

PLACEHOLDER: NEED MORE INFORMATION

Dim or adjust the brightness of the backlight



PLACEHOLDER: NEED MORE INFORMATION




Change the device name

PLACEHOLDER: NEED MORE INFORMATION


Set alarms

To set alarm on the Travel Companion:

1. Tap **Extras > Clock**.
2. Tap the  (alarm) icon, and then tap the  (new alarm) icon.
3. Tap **Description** and enter a name for the alarm.
4. Tap **Time** and set the time for the alarm.
5. Tap **Once, Regular, Countdown, or Call back** to set the alarm.

 **NOTE:** To delete an alarm, select the alarm and tap the  (delete alarm) icon. To edit an alarm, tap to open an alarm, and then tap the  (edit alarm) icon.

Obtain services for a cracked or damaged screen

 **NOTE:** HP is not responsible for damage that occurs as a result of failure to follow the instructions that came with the HP branded product. Refer to the warranty document included with the Travel Companion for more information.

If you have a nonwarranty event occur such as a damaged or cracked screen and want your device repaired, contact HP Customer Support at <http://www.hp.com/support> for service. However, contacting HP customer service on a nonwarranty event results in a charge for the repair.

Protect the Travel Companion screen from cracking or damage

△ **CAUTION:** The screen of the Travel Companion is made of glass and can be damaged or broken by drops, impacts, or pressure.

To reduce the risk of damage to the internal components, do not spray liquid directly on the screen, or allow excess liquid to drip inside the Travel Companion. Using soap or other cleaning products on the screen might discolor the finish and damage it.

- Observe the following practices to protect the screen of the Travel Companion from damage:
 - Do not sit on the Travel Companion.
 - When transporting the Travel Companion in a purse, pocket, briefcase, etc., ensure the device does not get compressed, bent, dropped, or hit.
 - When not in use, use the protective screen cover (if one is available) on the Travel Companion and store it in a case.
- Do not place anything on top of the Travel Companion.
- Do not bang the Travel Companion against hard objects.
- Never use any device other than the stylus that comes with the Travel Companion or an approved replacement to tap or write on the screen. If you lose or break your stylus, order extras at <http://www.hp.com/accessories/ipaq>.
- Clean the Travel Companion by wiping the screen and the exterior with a soft, damp cloth lightly moistened only with water.

Battery saving tips

The Travel Companion is as individual as you are. Adjust the settings on the Travel Companion to fit your individual needs and to help the battery last as long as possible between charges. Here are some recommendations for how to conserve battery life.

- Dim the Backlight – Keep the display only as bright as required to view the screen easily. On the **Today** screen, use the stylus to adjust the Backlight Brightness Level slider, near the **Light bulb** icon.
- Auto Turn Off the Backlight – On the **Today** screen, tap the **Light bulb** icon and make sure the first box is checked. Specify a short amount of time to wait before turning off the backlight.
- Keep Wireless Features Off – Always turn off Bluetooth power when they are not in use. Tap **Start > iPAQ Wireless**, and then tap the Bluetooth button to turn the features off.
- Sounds & Notifications – Every time you are notified of an event, battery power is consumed. Go to **Start > Settings > Sounds & Notifications > Notifications** tab and turn off any notification types that are unnecessary.
- Auto Turn Off Device – On the **Today** screen, tap the **Battery** icon, and then tap the **Advanced** tab. Make sure the first box is checked, so the device automatically powers off when not in use. Specify a short amount of time to wait before automatically powering off the Travel Companion.
- Turn GPS off – Always turn off the GPS receiver when you are not using GPS. Close the GPS application to turn off the receiver.

To keep the Travel Companion charged, remember to use the car charger when using the Travel Companion in the car.

Check the battery charge level

PLACEHOLDER: NavNgo to provide content

5 Navigation Quick Start

The Travel Companion can be used as a GPS navigation system right out of the box.

CAUTION: Drive with due care and attention when using the Travel Companion for navigation.

Install the battery

Use the mini-USB synchronization cable with the power adapter to charge the device.

To install the battery:

1. Slide the battery compartment cover to the sides and away from the Travel Companion.
2. Lift the cover off the Travel Companion.

PLACEHOLDER FOR GRAPHIC

3. Insert the battery into the compartment so that the connectors on the battery overlap with the pins in the battery compartment.

PLACEHOLDER FOR GRAPHIC

4. Place the battery cover down and slide until it clicks into place

PLACEHOLDER FOR GRAPHIC

Do not attempt to insert the battery cover tabs into the compartment slots without first placing the cover onto the compartment and sliding it closed.

PLACEHOLDER FOR GRAPHIC

Power on and set up the Travel Companion

Set up the Travel Companion

Step 1: Remove the battery cover

PLACEHOLDER FOR GRAPHIC

Press the battery latch on the battery cover and slide the cover down and away from the Travel Companion.

Step 2: Install the battery and replace the battery cover

PLACEHOLDER FOR GRAPHIC

1. Align the battery connectors on the battery with the housing pins in the battery compartment and insert the battery.
2. Slide the battery cover until it clicks into place.

Step 3: Charge the battery


PLACEHOLDER FOR GRAPHIC


△ **CAUTION:** To avoid damaging the Travel Companion or the AC adapter, make sure all connectors are properly aligned before connecting.

The battery provides power for the Travel Companion to operate. Travel Companion comes with a mini-USB synchronization cable, which must be used to charge the device.

It takes approximately 2–4 hours to fully charge the battery for the first time. Subsequent charges might take longer.

1. Insert the USB end of the mini-USB synchronization cable into the port on the AC adapter.
2. Connect the AC adapter to an electrical outlet.
3. Connect the mini-USB synchronization cable to the charging/communications port on the Travel Companion. The cable connector fits only one way. If the connector does not insert easily, turn it over.

 **TIP:** You can also charge the battery by connecting the Travel Companion to a USB port on your computer using the mini-USB synchronization cable.

 **NOTE:** Whenever a replacement battery is inserted into the Travel Companion, press the **Power** key for at least two seconds. In case the device does not turn on, attach the AC adapter to turn on the Travel Companion.

Power on the Travel Companion

The first time you turn on the Travel Companion, follow the on-screen set up instructions.

To turn on the Travel Companion:

- Press the and hold the **Power** key.
- Follow the on-screen instructions to set up the Travel Companion.

Car Kit setup

The car kit allows you to mount the Travel Companion in a location in your car that provides the best access to a GPS signal.

Il kit per auto consente di posizionare il Travel Companion all'interno del veicolo nel punto che assicura la migliore ricezione del segnale GPS.

To install the car kit:

1. Plug the power cable into the Travel Power Adapter, and then plug the adapter into a vehicle power outlet.
2. Attach the power cable to the clips on the back of the Travel Companion holder. Be sure to leave enough cable to plug into the Travel Companion, and that the connector is turned the correct way to plug into the unit.

PLACEHOLDER FOR GRAPHIC

3. Install the holder onto the windshield mounting bracket.

PLACEHOLDER FOR GRAPHIC

4. Place the car kit assembly onto the windshield (1), and then press the locking lever (2) to securely mount the assembly into place.

PLACEHOLDER FOR GRAPHIC

5. To install the Travel Companion:
 - a. Insert the Travel Companion into the mounted car kit holder (1).
 - b. Insert the securing clip into the slot on the top of the Travel Companion (2).
 - c. Plug the power cable into the Travel Companion (3).

PLACEHOLDER FOR GRAPHIC
6. Use the knobs to adjust the vertical and horizontal orientation of the Travel Companion.

PLACEHOLDER FOR GRAPHIC

Menus

PLACEHOLDER: NavNgo to provide content

Navigation setup

PLACEHOLDER: NavNgo to provide content

Navigate to destinations

PLACEHOLDER: NavNgo to provide content

Save destinations

PLACEHOLDER: NavNgo to provide content

Preferences

PLACEHOLDER: NavNgo to provide content

Points Of Interest (POI)

PLACEHOLDER: NavNgo to provide content

6 Enter text

PLACEHOLDER: NavNgo to provide content

7 Connections

Bluetooth terms

You should become familiar with the following terms as you begin to use Bluetooth technology.


Term	Definition
Authentication	Verification of a numeric passkey before a connection or activity can be completed.
Authorization	Approval of a connection, access, or activity before it can be completed.
Bonding (Paired devices)	Creating a trusted connection between your HP iPAQ and another device. After a bond is created, the two devices become paired. A paired device does not require authentication or authorization.
Device address	Unique electronic address of a Bluetooth device.
Device discovery	Location and recognition of another Bluetooth device.
Device ID	Name that a Bluetooth device provides when discovered by another device.
Encryption	Method of protecting data.
Passkey	Code you enter to authenticate connections or activities requested by other devices.
Personal Information Manager (PIM)	Collection of programs used to manage daily business tasks (for example: Contacts, Calendar, and Tasks).
Profiles	Collection of Bluetooth settings.
Service discovery	Determination of which programs you have in common with other devices.

Work with Bluetooth Manager

WPlaceholder

Bluetooth Phone Manager

Use Bluetooth Phone Manager to connect the Travel Companion to a Bluetooth-enabled cell phone, which allows data transfer between the two Bluetooth-enabled devices. To do this, create a Bluetooth connection between the Travel Companion and the cell phone, and then send information to the phone using Bluetooth. The phone relays the information over the phone line and then sends back to the Travel Companion any information requested over the connection.

 **NOTE:** Ensure both the Travel Companion and the cell phone are turned on, discoverable, and within close range.

To establish a connection between the Travel Companion and a cell phone using Bluetooth Phone Manager:

PLACEHOLDER: NavNgo to provide content

Connect to a computer via Bluetooth

PLACEHOLDER: NavNgo to provide content

Bluetooth device profiles

PLACEHOLDER: NavNgo to provide content

Create, end, and accept a Bluetooth partnership

PLACEHOLDER: NavNgo to provide content

Rename a Bluetooth partnership

PLACEHOLDER: NavNgo to provide content

Make a device discoverable

PLACEHOLDER: NavNgo to provide content

Open Bluetooth settings

PLACEHOLDER: NavNgo to provide content

Set up an incoming or outgoing Bluetooth Serial (COM) port

PLACEHOLDER: NavNgo to provide content

8 Entertainment

Media Player

PLACEHOLDER: NavNgo to provide content

Music

PLACEHOLDER: NavNgo to provide content

Video

PLACEHOLDER: NavNgo to provide content

Picture Viewer

PLACEHOLDER: NavNgo to provide content

9 Contacts

PLACEHOLDER: NavNgo to provide content

10 Calculator

PLACEHOLDER: NavNgo to provide content

11 Internet Explorer Mobile

PLACEHOLDER: NavNgo to provide content

12 Storage cards

Storage cards

Use optional storage cards for:

- Expanding the memory of the Travel Companion
- Adding functionality


 **NOTE:** Storage cards must be purchased separately and are not included with the Travel Companion.

To locate information about storage cards, visit <http://www.hp.com/accessories/ipaq>.

Insert a storage card

To insert a storage card into the storage card slot on the Travel Companion:

1. Locate the storage card slot on the side of the Travel Companion.
2. Open the protective cover.
3. Insert the storage card into the storage card slot and push the connection edge of the card firmly into the storage card slot.

 **NOTE:** If your storage card is not recognized, follow the card manufacturer's instructions to install it.

If you have trouble inserting a storage card, try the following:

- Make sure the label is facing down.
- Make sure you are not inserting the card at an angle.
- Make sure you insert the connection area (the metal area) first.

Remove a storage card

To remove a storage card from the storage card slot on the Travel Companion:

1. Close all programs that are using the storage card.
2. Remove the card from the storage card slot by lightly pushing on the card to unlock it.
3. When the card disengages and pops out, pull it from the storage card slot.

View content of a storage card

Use File Explorer to view the files that are located on your optional storage card.


1. Tap **Start > Programs > File Manager**.
2. Navigate to select the **Memory Card** folder to see a list of files and folders.

If the Travel Companion does not recognize your storage card, try the following:

- Make sure you have firmly pushed the storage card into the storage slot.
- Make sure to install any drivers that came with the storage card.

13 Product specifications

System specifications

 **NOTE:** Not all models described are available in all regions. For more information on specifications for your particular model, on the Travel Companion, tap **Start > Settings > System tab > System Details**.

System Feature	Description
Processor	Centrality Titan
Operating System	Microsoft® Windows Mobile® CE
Memory	Up to 2.0 GB flash ROM for persistent storage, depending on model 128 MB SDRAM for running applications
External Power	AC Input: 100~240 Vac, 50/60 Hz, AC Input current: 0.2 A ac max Output Voltage: 5Vdc (typical)
Display	4.3" WVGA 800x480 TFT with touch screen, antiglare, landscape oriented, 16bit RGB depth
LED Backlight	PLACEHOLDER
SD Slot	Supports SD memory
Antenna	Internal Bluetooth antenna
Audio	Integrated microphone, speaker, and one 3.5–mm stereo headset jack, 5–band equalizer and 3D sound adjustment
Battery	1,700 mAh Li-ion removable/rechargeable battery
Bluetooth	Bluetooth 2.0 with Enhanced Data Rate, typical 10 meter range (approximately 33 feet)—High-speed, low-power, short-range wireless communication with other Bluetooth devices
LED Indicators: Charge and Notification LED	<ul style="list-style-type: none">● Flashing amber indicates an event notification or alarm on the Travel Companion.● Solid amber indicates unit is charging.● Solid green indicates unit is fully charged.
Wireless LED	<ul style="list-style-type: none">● Flashing blue indicates:<ul style="list-style-type: none">◦ Bluetooth is on● LED off indicates Bluetooth is off
GPS Receiver	PLACEHOLDER
GPS Antenna	PLACEHOLDER

Physical specifications

	US	Metric
Width	PLACEHOLDER	PLACEHOLDER
Height	PLACEHOLDER	PLACEHOLDER
Depth	PLACEHOLDER	PLACEHOLDER
Weight	PLACEHOLDER	PLACEHOLDER

Operating environment

		US	Metric
Temperature	Operating	PLACEHOLDER	PLACEHOLDER
	Nonoperating	PLACEHOLDER	PLACEHOLDER
Relative Humidity	Operating	PLACEHOLDER	PLACEHOLDER
	Nonoperating	up to 90%	up to 90%
Maximum Altitude	Operating	PLACEHOLDER	PLACEHOLDER
	Nonoperating	PLACEHOLDER	PLACEHOLDER

14 Regulatory notices

Federal Communications Commission Notice

This equipment has been tested and found to comply with the limits for a Class B digital device, pursuant to Part 15 of the FCC Rules. These limits are designed to provide reasonable protection against harmful interference in a residential installation. This equipment generates, uses, and can radiate radio frequency energy and, if not installed and used in accordance with the instructions, may cause harmful interference to radio communications. However, there is no guarantee that interference will not occur in a particular installation.

If this equipment does cause harmful interference to radio or television reception, which can be determined by turning the equipment off and on, the user is encouraged to try to correct the interference by one or more of the following measures:

- Reorient or relocate the receiving antenna.
- Increase the separation between the equipment and receiver.
- **Connect the equipment to an outlet on a circuit different from that to which the receiver is connected.**
- Consult the dealer or an experienced radio or television technician for help.

Modifications

The FCC requires the user to be notified that any changes or modifications made to this device that are not expressly approved by HP may void the user's authority to operate the equipment.

Cables

To maintain compliance with FCC Rules and Regulations, connections to this device must be made with shielded cables having metallic RFI/EMI connector hoods.

Declaration of Conformity for Products Marked with the FCC Logo (United States Only)

This device complies with Part 15 of the FCC Rules. Operation is subject to the following 2 conditions:

1. This device may not cause harmful interference.
2. This device must accept any interference received, including interference that may cause undesired operation.

If you have questions about the product that are *not* related to this declaration, write to

Hewlett-Packard Company

P. O. Box 692000, Mail Stop 530113

Houston, TX 77269-2000

or call 1-800-HP-INVENT (1-800-474-6836)

For questions regarding this FCC declaration, write to

Hewlett-Packard Company

P. O. Box 692000, Mail Stop 510101

Houston, TX 77269-2000

or call HP at 281-514-3333

To identify your product, refer to the part, series, or model number located on the product.

Canadian Notice

This Class B digital apparatus meets all requirements of the Canadian Interference-Causing Equipment Regulations.

Avis Canadien

Cet appareil numérique de la classe B respecte toutes les exigences du Règlement sur le matériel brouilleur du Canada.

European Union Notice

Products bearing the CE marking comply with the following EU Directives:

- Low Voltage Directive 2006/95/EC
- EMC Directive 2004/108/EC

CE compliance of this product is valid only if powered with the correct CE-marked AC adapter provided by HP.

If this product has telecommunications functionality, it also complies with the essential requirements of the following EU Directive:

- R&TTE Directive 1999/5/EC

Compliance with these directives implies conformity to harmonized European standards (European Norms) that are listed in the EU Declaration of Conformity issued by HP for this product or product family. This compliance is indicated by one of the following conformity markings placed on the product.

- This CE marking is valid for non-telecommunications products and for EU harmonized telecommunications products, such as Bluetooth®.



- This CE marking is valid for EU non-harmonized telecommunications products.



*If applicable, a notified body number is used. Refer to the regulatory label provided on this product.

Hewlett-Packard GmbH, HQ-TRE, Herrenberger Strasse 140, D-71034 Böblingen, Germany

The telecommunications functionality of this product may be used in the following EU and EFTA countries:

Austria, Belgium, Bulgaria, Cyprus, Czech Republic, Denmark, Estonia, Finland, France, Germany, Greece, Hungary, Iceland, Ireland, Italy, Latvia, Liechtenstein, Lithuania, Luxembourg, Malta, Netherlands, Norway, Poland, Portugal, Slovak Republic, Romania, Slovenia, Spain, Sweden, Switzerland, and United Kingdom.

Products with 2.4–GHz Wireless LAN Devices

France

L'utilisation de cet équipement (2.4GHz wireless LAN) est soumise à certaines restrictions: cet équipement peut être utilisé à l'intérieur d'un bâtiment en utilisant toutes les fréquences de 2400 à 2483.5MHz (Chaîne 1–13). Pour une utilisation en environnement extérieur, vous devez utiliser les fréquences comprises entre 2454 à 2483.5–MHz (Chaîne 10–13). Pour les dernières restrictions, voir <http://www.art-telecom.fr>.

For 2.4–GHz wireless LAN operation of this product, certain restrictions apply. This equipment may use the entire–2400–MHz to 2483.5–MHz frequency band (channels 1 through 13) for indoor applications. For outdoor use, the 2454–MHz to 2483.5–MHz frequency band (channels 10 through 13) may not be used. For the latest requirements, see <http://www.art-telecom.fr>.

Italy

E' necessaria una concessione ministeriale anche per l'uso del prodotto. Verifici per favore con il proprio distributore o direttamente presso la Direzione Generale Pianificazione e Gestione Frequenze.

License required for use. Verify with your dealer or directly with the General Direction for Frequency Planning and Management (Direzione Generale Pianificazione e Gestione Frequenze).

Battery Warning

-
- ⚠ **WARNING!** This HP iPAQ contains a lithium ion rechargeable battery. To reduce the risk of fire or burns, do not disassemble, crush, puncture, short external contacts, or dispose of in fire or water. Replace only with the HP spare.
 - ⚠ **CAUTION:** Risk of explosion if battery is replaced by an incorrect type. Dispose of used batteries according to the instructions.
-

Battery Recycling

HP encourages customers to recycle used electronic hardware, HP original print cartridges, and rechargeable batteries. For more information about recycling programs, visit <http://www.hp.com/recycle>.

Battery Disposal

-
- ⚠ **WARNING!** When a battery has reached the end of its useful life, do not dispose of the battery in general household waste. Follow the local laws and regulations in your area for computer battery disposal.
-



Equipment Warning

⚠ WARNING! To reduce the risk of personal injury, electrical shock, fire or damage to the equipment:

Plug the AC adapter into an AC outlet that is easily accessible at all times.

Disconnect power from the equipment by unplugging the AC adapter from the AC outlet or unplugging the synchronization cable from the host computer.

Do not place anything on the power cord or any of the other cables. Arrange them so that no one may accidentally step on or trip over them.

Do not pull on a cord or cable. When unplugging from the electrical outlet, grasp the cord by the plug or, in the case of the AC adapter, grasp the AC adapter and pull out from the electrical outlet.

Do not use converter kits sold for appliances to power your HP iPAQ.

Acoustics Warning

⚠ WARNING! Listening to this device at high volume levels and for extended durations may damage one's hearing. In order to reduce the risk of damage to hearing, one should lower the volume to a safe, comfortable level, and reduce the amount of time listening at high levels.



- For your own safety, before using headsets or earphones, always reset the volume. Some headphones are louder than other headphones, even if the volume control setting is the same.
- Changing the default audio or equalizer settings might lead to higher volume and should only be done with caution.
- Headsets or earphones used with this device should comply with the headphone limits in EN 50332-2.

Airline Travel Notice

Use of electronic equipment aboard commercial aircraft is at the discretion of the airline.

Medical Electronic Equipment

If you have a medical condition that requires you to use a pacemaker, hearing aid, or any type of medical electronic equipment, consult the manufacturer of the equipment to determine if the medical equipment is shielded from RF energy. Turn off your HP iPAQ in health care facilities or hospitals when there are posted restrictions requiring you to do so.

Wireless Notices

In some environments, the use of wireless devices may be restricted. Such restrictions may apply aboard airplanes, in hospitals, near explosives, in hazardous locations, etc. If you are uncertain of the policy that applies to the use of this device, please ask for authorization to use it prior to turning it on.

U.S. Regulatory Wireless Notice

⚠ WARNING! Exposure to Radio Frequency (RF) Radiation The radiated output power of this device is below the FCC radio frequency exposure limits. Nevertheless, the device should be used in such a manner that the potential for human contact during normal operation is minimized.

To avoid the possibility of exceeding the FCC radio frequency exposure limits, human proximity to the antenna should be minimized. No metallic body accessories are allowed and 1.5 cm spacing between PDA and the body must be maintained to satisfy RF Exposure.

This PDA must not be co-located or operating in conjunction with any other antenna or transmitter.

Canadian Regulatory Wireless Notice

Operation is subject to the following two conditions: (1) this device may not cause interference, and (2) this device must accept any interference, including interference that may cause undesired operation of the device.

Brazilian Notice

Este equipamento opera em caráter secundário, isto é, não tem direito a proteção contra interferência prejudicial, mesmo de estações do mesmo tipo, e não pode causar interferência a sistemas operando em caráter primário.

Japanese Notice

この装置は、情報処理装置等電波障害自主規制協議会（VCCI）の基準に基づくクラスB情報技術装置です。この装置は、家庭環境で使用することを目的としていますが、この装置がラジオやテレビジョン受信機に近接して使用されると、受信障害を引き起こすことがあります。

取扱説明書に従って正しい取り扱いをして下さい。

この機器の使用周波数帯では、電子レンジ等の産業・科学・医療用機器のほか工場・製造ライン等で使用されている移動体識別用の構内無線局（免許を要する無線局）及び特定小電力無線局（免許を要しない無線局）が運用されています。

- 1 この機器を使用する前に、近くで移動体識別用の構内無線局及び特定小電力無線局が運用されていないことを確認して下さい。
- 2 万一、この機器から移動体識別用の構内無線局に対して電波干渉の事例が発生した場合には、速やかに使用周波数を変更するか又は電波の発射を停止した上、下記連絡先にご連絡頂き、迷惑回避のための処置等（例えば、パーティションの設置など）についてご相談して下さい。
- 3 その他、この機器から移動体識別用の特定小電力無線局に対して電波干渉の事例が発生した場合など何かお困りのことが起きたときは、次の連絡先へお問い合わせ下さい。

連絡先：日本ヒューレット・パッカー株式会社 TEL：0120-014121

Bluetooth Devices



Taiwan DGT Notice

低功率電波輻射性電機管理辦法

第十四條 經型式認證合格之低功率射頻電機，非經許可、公司、商號或使用者均不得擅自變更頻率、加大功率或變更原設計之特性及功能。

第十七條 低功率射頻電機之使用不得影響飛航安全及干擾合法通信；經發現有干擾現象時，應立即停用，並改善至無干擾時方得繼續使用。
前項合法通信，指依電信規定作業之無線電信、低功率射頻電機須忍受合法通信或工業、科學及醫療用電波輻射性電機設備之干擾。

Korean Notice

B급 기기 (가정용 정보통신기기)

이 기기는 가정용으로 전자파적합등록을 한 기기로서 주거지역에서는 물론 모든 지역에서 사용할 수 있습니다.

15 Frequently asked questions

I am having trouble turning on the Travel Companion. What should I do?

Travel Companion appears to have problems with the battery. Please perform the following checks:

- Is the battery charged?
- Is the battery properly installed?

I have trouble charging my battery. What should I do?

If you have trouble charging your battery, please perform the following checks:

- **Is the battery charger correctly plugged into the battery charger socket on the Travel Companion?**
- Is the power cord of the charger damaged?
- Is the battery very old? If yes, replace with a new battery and try again.

16 Guidelines for care and maintenance

It is recommended that you follow certain guidelines to prevent possible damage to the Travel Companion and to keep it in a good condition.

Using the Travel Companion

- Avoid using the Travel Companion in dusty and extremely high or low temperature environments.
- Do not spill water on the Travel Companion or expose it to the rain.
- Avoid removing the battery without turning off the Travel Companion.
- Do not apply strong force or shocks to the Travel Companion.
- Keep the Travel Companion and its accessories away from children.
- Do not insert metal objects into the charging/communications port of the Travel Companion. This can short-circuit the battery and result in danger.

Cleaning the Travel Companion

- Use a soft, clean, and slightly moistened cloth to clean the Travel Companion. Do not let water come into contact with the earpiece, microphone, or the metal surface.
- Do not wipe the Travel Companion with any corrosive liquid or coarse objects. This can damage the outer surface of the Travel Companion.

Carrying or storing the Travel Companion

- Do not leave the Travel Companion in extremely high or low temperature environments.
- Remove the battery from the Travel Companion if it is not going to be used for a long period of time. Store the Travel Companion and its battery in a cool, dark, and dry place.

Using accessories

- Use original HP batteries and chargers to charge the Travel Companion.
- Do not use the Travel Companion battery and charger for other purposes.

Using the Travel Companion in public places

Turn off the Travel Companion or switch it to silent mode when you are asked to in public places.