

Nintendo

RVL-036
RVL-A-000

INSTRUCTION BOOKLET

THANK YOU FOR SELECTING THE NINTENDO WII REMOTE. READ THE FOLLOWING WARNINGS BEFORE YOU OR YOUR CHILD PLAY VIDEO GAMES. IF THIS PRODUCT IS TO BE USED BY YOUNG CHILDREN, THIS MANUAL SHOULD BE READ AND EXPLAINED TO THEM BY AN ADULT. FAILING TO DO SO MAY CAUSE INJURY.

※ Please study with Wii console instruction booklet.

Accessories

The following is accessories list, please check:

● Wii Remote (RVL-036)	-----	1pcs
● Special Strap	-----	1pcs
● AA type Battery	-----	2pcs
● Instruction Booklet	-----	1pcs

Important Safety Information (Please read carefully)

Attention

Wii Remote is delicate machinery. Please take attention the following.

Warning

- Keep away people and things appropriately, so may cause injury and damage family properties and broken-down.
- Do not swing unnecessarily, so may cause injury and damage family properties and broken-down.
- In Playing games, in order to promise when Wii Remote is departed from palm, the remote would not be thrown off, please using special strap to tie the wrist immovably, otherwise may cause injury and damage family properties and broken-down. Do not tie the strap too tight or loose, so may cause accidents.
- Do not hang the peripheral of Wii Remote on the head, so may cause accidents.
- Do not play any more if there is liquid (water, juice, or urine of pet) and foreign things etc. in Wii Remote. If the Wii Remote is wetted, foreign things inside, please do not play anymore, seek advice from nearby Nintendo Service Centre or shop. If playing the Remote continually, so may cause fire, get an electric shock and broken-down.
- If discover smoke, smell, after confirming the smoke disappear, please take away the battery and send to Nintendo Service Centre, so may cause fire and accidents.
- Do not playing if the remote is damaged, so may cause electric shock and injury.
- Do not disassemble or try to repair the Nintendo Wii Remote
- Avoid touching the connectors with your fingers, so may cause electric shock and injury.

WARNING

- Do not put the Remote on the bed, so may cause damage or stumble.
- Do not put the Remote on place child can get or unstable, so may fall to injury or broken-down.
- Waste electrical may contain hazardous substance, please dispose in accordance with your local recycling laws.

Cooperation

- Please take care the following item to lay by the Remote, so may cause broken-down.
 - Do not play the Remote in wet, dust, soot.
 - Do not expose the Remote sunlight directly, and close fire.
- If pull out the peripheral, please follow the indicate, so may cause broken-down or saving the information error.

WARNING - DRY BATTERY and RECHARGEABLE BATTERY

Please take attention the following item, the inappropriate operating may cause battery leakage, heat, broken, and unusable.

Danger

- If battery leakage occurs, avoid contact with skin. If contact occurs, immediately wash thoroughly with soap and water. If liquid leaking from a battery comes into contact with your eyes, immediately flush thoroughly with water and see a doctor.
- Do not expose the battery to heat or dispose of in a fire.
- Do not disassemble, attempt to repair or deform the battery.
- Do not touch the terminals of the battery with any foreign materials or a metal object.
- Please check electrode before to pack battery.

WARNING

- Do not mix the old and new batteries, and different kind of batteries.
- Do not recharge the dry battery.
- Please remove the battery when empty and under unused long time.
- Do not use the battery with fissure, deformed, leakage.
- Please buy the battery Nintendo acknowledged, when buying the rechargeable battery (Ni or Ni-Cd Battery) in market.

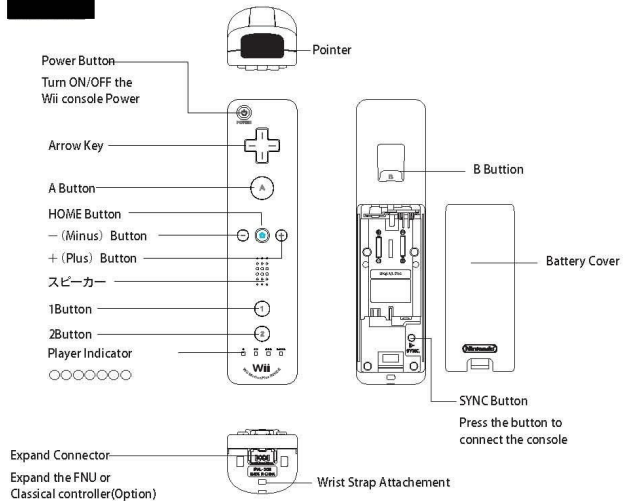
※ The rechargeable batteries on market may cause fire or burn if the electrode shorted.

- The battery is only to be recharged under adult supervision.

WARNING

- Do not preserve the Remote in extreme temperature condition.
- Do not under big shock.
- For information on battery disposal contact your local solid waste authority.

Components



Strap

※ Tie the Wii Remote

※ The button operation instruction, please refer the each user manuals of the games.

Federal Communication Commission Interference Statement

This equipment has been tested and found to comply with the limits for a Class B digital device, pursuant to Part 15 of the FCC Rules. These limits are designed to provide reasonable protection against harmful interference in a residential installation. This equipment generates, uses and can radiate radio frequency energy and, if not installed and used in accordance with the instructions, may cause harmful interference to radio communications. However, there is no guarantee that interference will not occur in a particular installation. If this equipment does cause harmful interference to radio or television reception, which can be determined by turning the equipment off and on, the user is encouraged to try to correct the interference by one of the following measures:

- Reorient or relocate the receiving antenna.
- Increase the separation between the equipment and receiver.
- Connect the equipment into an outlet on a circuit different from that to which the receiver is connected.
- Consult the dealer or an experienced radio/TV technician for help.

FCC Caution: Any changes or modifications not expressly approved by the party responsible for compliance could void the user's authority to operate this equipment.

This device complies with Part 15 of the FCC Rules. Operation is subject to the following two conditions: (1) This device may not cause harmful interference, and (2) this device must accept any interference received, including interference that may cause undesired operation.

This transmitter must not be co-located or operating in conjunction with any other antenna or transmitter

Industry Canada Statement

Operation is subject to the following two conditions:

(1) this device may not cause interference, and (2) this device must accept any interference, including interference that may cause undesired operation of the device.