

Hoover®

duros™

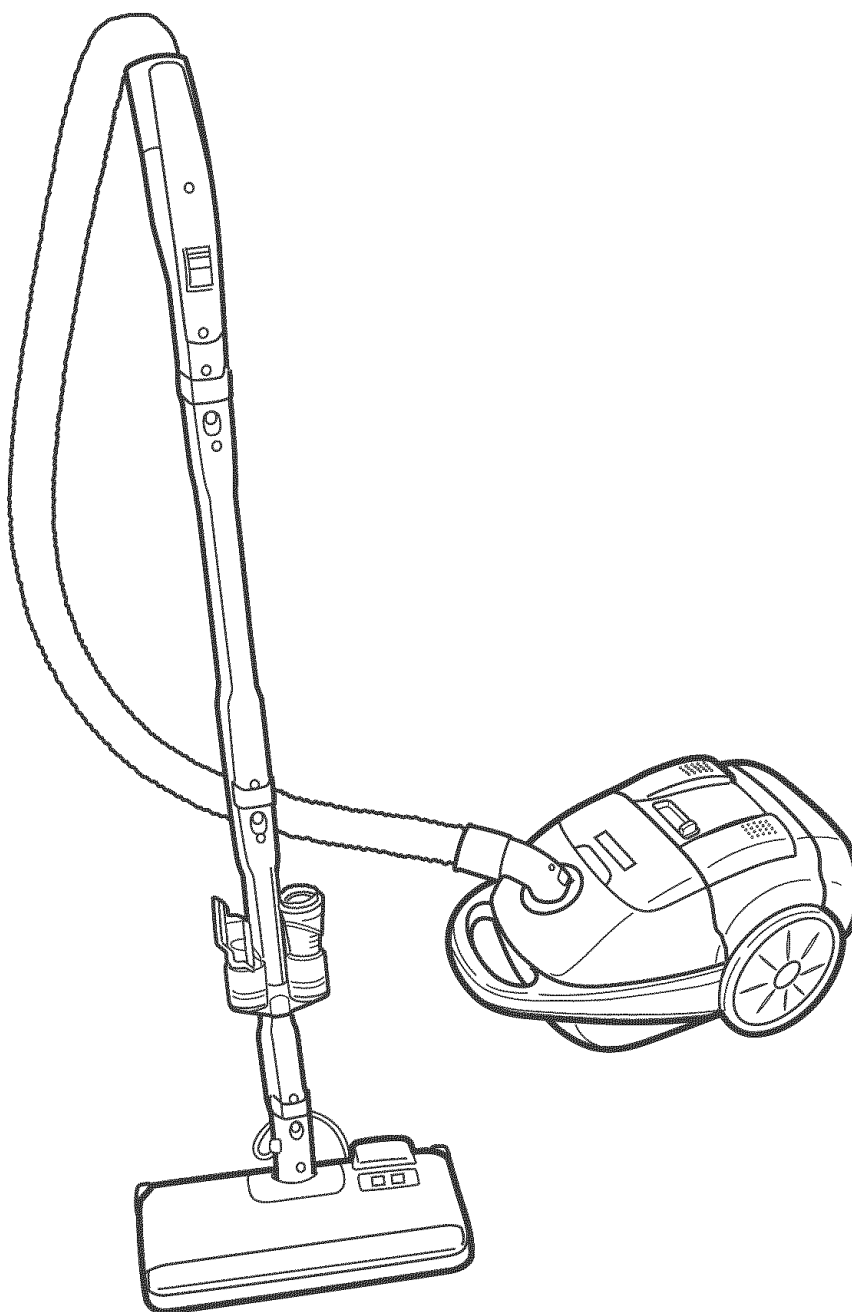
Canister Cleaner

Owner's Manual

English → pp. 1-10

Español → pàg. 11-16

Français → p. 17-22



**Review this manual before
operating cleaner.**

Fill in and retain

The model and serial number are located on the bottom of the cleaner.

For your personal records, please enter the COMPLETE model and serial number in the spaces provided and retain this information.

Your cleaner is model _____

and has serial number _____

It is suggested that you attach your sales receipt to this owner's manual. Verification of date of purchase may be required for warranty service of your Hoover product.

Index

Important Safeguards	2
Assembling Cleaner	3
Carton contents	3
Connect hose, wand, nozzle	3
Cleaner Description	4
How To Use	
Canister Cleaner	4-6
Powered Nozzle	4
Cleaning Tools	5
Cleaning Stairs	5
Storage	5,6
Maintenance	
Filter bag replacement	6
Cleaning filters	7
Replacing power nozzle belt	7-8
Replacing agitator brush roll	8
Replacing headlight	8
Lubrication	8
Service	9
If You Have a Problem	9
Clearing Blockages	9
Warranty	10

Important Safeguards!

When using an electrical appliance, always follow basic precautions, including the following:

READ ALL INSTRUCTIONS BEFORE USING THIS APPLIANCE

Warning: To reduce the risk of fire, electric shock or injury:

- Do not use outdoors or on wet surfaces.
- Close supervision is necessary when any appliance is used by or near children. Do not allow vacuum cleaner to be used as a toy or to run unattended at any time.
- Keep hair, loose clothing, fingers, feet and all parts of body away from openings, rotating agitator and other moving parts. Do not operate cleaner in bare feet or when wearing open toe shoes or sandals.
- Do not pick up anything that is burning or smoking, such as cigarettes, matches, or hot ashes.
- Do not use to pick up flammable or combustible liquids such as gasoline or fine wood sandings or use in areas where they may be present.
- The hose contains electrical wires. Do not use if damaged, cut or punctured.
- Avoid picking up hard, sharp objects with the cleaner. They may damage the cleaner.
- Always turn off this appliance before connecting or disconnecting hose or motorized nozzle.
- Brush roll may suddenly restart, unplug from electrical outlet before servicing.
- Do not use without filter bag in place. Change bag frequently when picking up very fine materials such as powder.
- Use extra care when cleaning on stairs.
- Do not put any object into openings. Do not use with any opening blocked; keep free of dust, lint, hair, or anything that may reduce air flow.
- Do not pull or carry by cord, use cord as a handle, close door on cord or pull cord around sharp edges or corners. Do not run appliance over cord. Keep cord away from heated surfaces.
- Always disconnect cord from electrical outlet before servicing the cleaner.
- Unplug cleaner when not in use. Turn off all controls before unplugging.
- Do not unplug by pulling on cord. To unplug, grasp the plug, not the cord. Never handle plug or appliance with wet hands.
- If cleaner has a cord reel, hold on to the plug while cord is being rewound to prevent cord from whipping.
- The use of an extension cord is not recommended.
- Do not use with damaged cord or plug. If appliance is not working as it should, has been dropped, damaged, left outdoors, or dropped into water, take it to a Hoover Factory Service Center or Authorized Hoover Warranty Service Dealer (Depot).
- Use vacuum cleaner only for its intended use as described in the instructions. Use only attachments recommended by The Hoover Company; others may cause hazards.

Warning: This product contains chemicals known to the State of California to cause cancer. *WASH HANDS AFTER HANDLING.*

Save these instructions!



1. Assembling cleaner

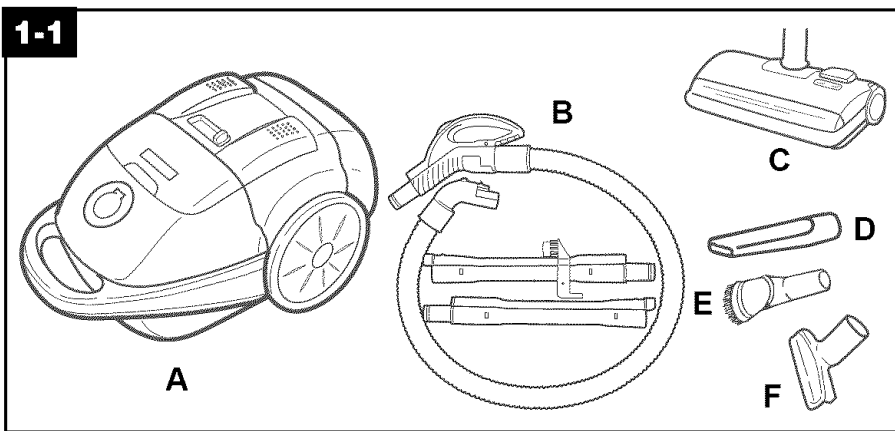
This cleaner was inspected and packaged carefully before being shipped from the factory. If you should happen to need assistance during assembly or operation,

Visit us online at www.hoover.com to find the service outlet nearest you (click on the "Service" button) OR

Call **1-800-944-9200** for an automated referral of authorized service outlet locations (U.S. only) OR

Call 1-330-499-9499 to speak with a representative in the Hoover Consumer Response Center.

Carton contents

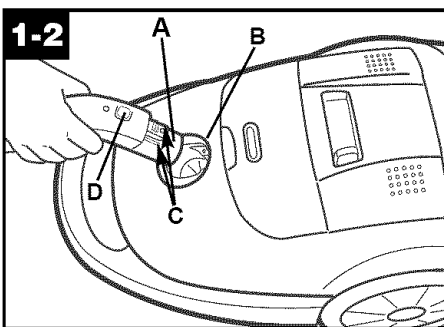


Unpack cleaner from carton and identify the parts shown. Remove and dispose of cardboard packing.

- A. Canister cleaner
- B. Extension wands and hose
- C. Power nozzle
- D. Crevice tool
- E. Round swivel brush
- F. Upholstery tool

Operate cleaner only at voltage specified on data plate on bottom of cleaner.

Connect hose, wand and nozzle

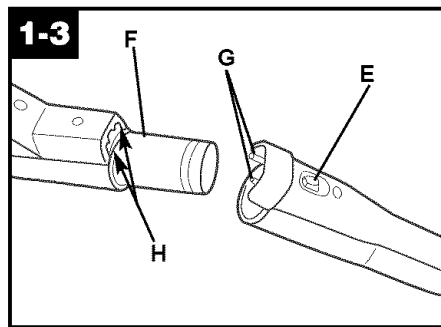


Connect hose

Push the hose connector end (A) into the opening (B) on the front of the cleaner, making sure the prongs (C) on the hose end align with the holes in the opening. When hose end is properly inserted, you will hear a click.

To disconnect hose from the cleaner, press the button (D) on the hose connector and pull straight out.

Note: The flexible hose contains electrical wires for connection to the power nozzle and should not be used if damaged. The wires should not be seen through the outer skin.

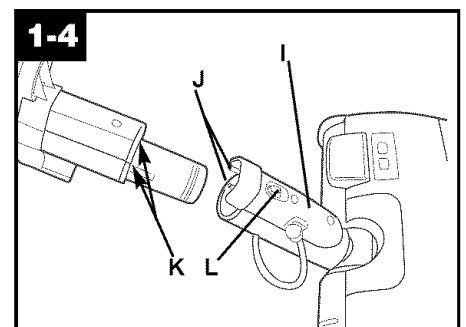


Attach wand and power nozzle

Push the end of the wand with the button (E) firmly into the hose grip (F), making sure the prongs (G) on the wand align with the holes (H) in the hose grip. When wand is properly inserted, you will hear a click.

To remove the wand from the hose, press on the button (E) located on the end of the wand and pull straight out.

A second extension wand can be attached in the same manner.

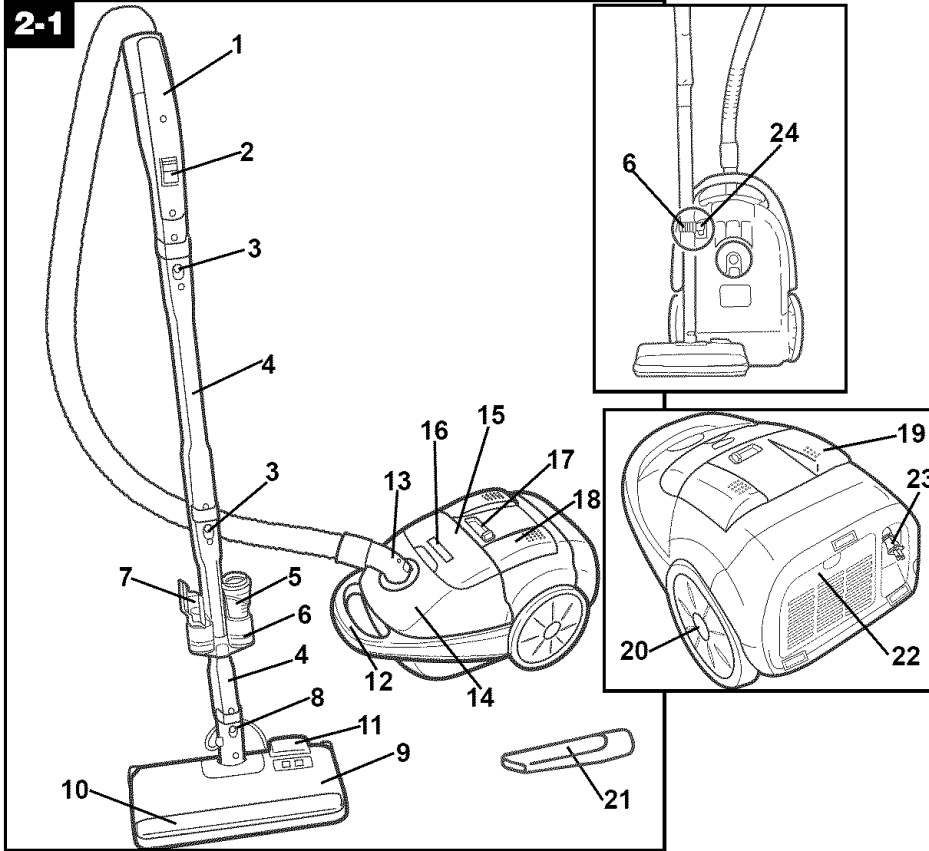


Push the opposite end of the wand into the power nozzle (I), aligning the prongs (J) on the power nozzle with the holes (K) in the wand. When the power nozzle is properly inserted, you will hear a click.

To remove the power nozzle, press on the button (L) located on the power nozzle and pull straight out.

2. How to use

Cleaner description



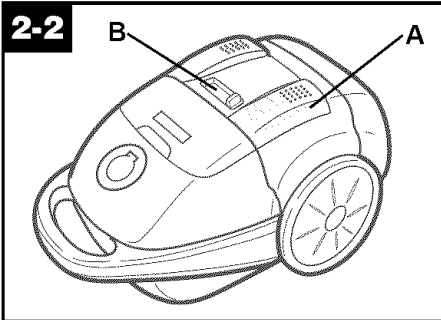
1. Hand grip
2. Power nozzle ON/OFF switch
3. Extension wand release buttons
4. Extension wands
5. Round swivel brush
6. Wand storage clip/tool holder
7. Upholstery tool
8. Power nozzle release button
9. Power nozzle
10. Headlight
11. Rug/floor pedal
12. Carrying handle
13. Hose connector
14. Filter bag door
15. Tool lid: stores crevice tool. Pull up on edge of lid in recessed area
16. Full bag indicator
17. Suction control slide switch
18. ON/OFF pedal
19. Cord rewind pedal: step on pedal to rewind cord for storage. **Hold plug until cord is rewound.**
20. Large wheels: provide easy towing when cleaner is pulled over carpet, area rugs and door sills
21. Crevice tool (stores inside tool door)
22. Final filter door
23. Power cord
24. Wand holder slot

The assembled cleaner will look like the drawing. Operate cleaner only at voltage specified on data plate on bottom of cleaner.

This cleaner is intended for household use only.

Polarized plug

To reduce the risk of electric shock, this appliance has a polarized plug (one blade is wider than the other). This plug will fit in a polarized outlet only one way. If the plug does not fit fully in the outlet, reverse the plug. If it still does not fit, contact a qualified electrician to install the proper outlet. Do not change the plug in any way.

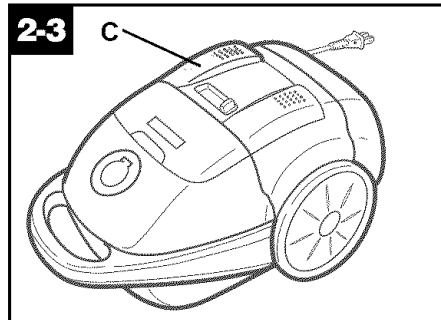


Turning cleaner on and adjusting power level

After assembling cleaner, plug cord into electrical outlet. Turn cleaner ON by stepping on the ON/OFF pedal (A).

The suction control can be increased or decreased by sliding the control (B) towards MIN or MAX.

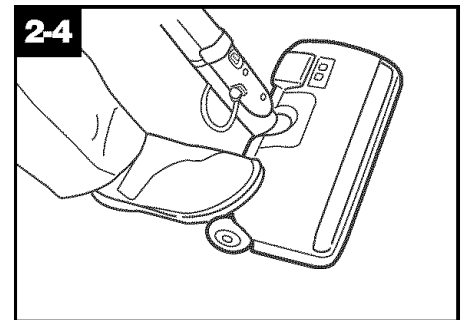
To turn cleaner OFF, step on the pedal.



Cord rewind pedal

The cord rewind pedal (C) is opposite the ON/OFF pedal.

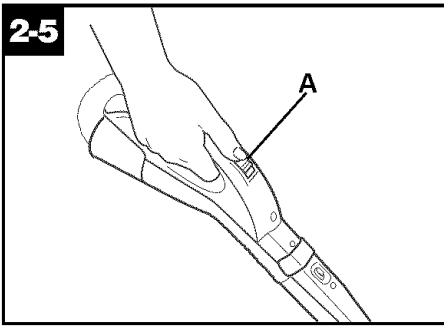
Hold on to the plug while cord is being rewound to prevent cord from whipping.



Power nozzle Handle positions

The handle has two positions when used with the power nozzle: upright and operating.

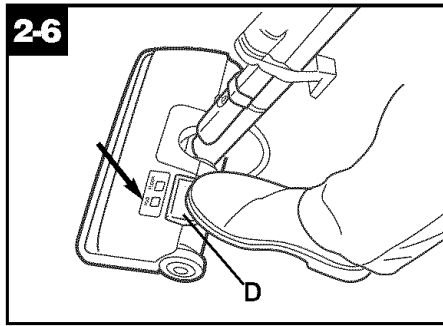
To lower handle to operating position, place your foot firmly on the power nozzle and pull handle back.



Power nozzle ON/OFF switch

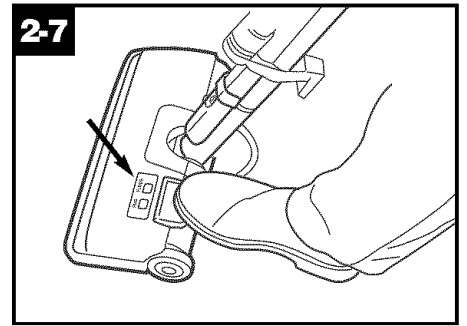
The power nozzle ON/OFF switch (A) provides power to the nozzle. Push the switch to the "ON" position for agitator brush operation, and to turn the headlight on. Push the switch to the "OFF" position to stop the brushes, and to turn the headlight off.

Note: The headlight may be turned off by the power nozzle ON/OFF switch, located on the hand grip.



Floor surface selection Carpet cleaning

When using the power nozzle for carpet and rug cleaning, step on the RUG/FLOOR pedal (D) until the indicator is in the "RUG" position. This setting provides the suction and agitator action necessary to deep clean carpets.



Hard surface floor cleaning

The power nozzle can be used for cleaning hard surface floors such as wood, linoleum, vinyl, asphalt and rubber tile, sealed cork, concrete and terrazzo, as well as carpet.

To set the power nozzle for hard surface floor cleaning, step on the RUG/FLOOR pedal placing the indicator in the "FLOOR" position. This setting provides suction and no agitator action.

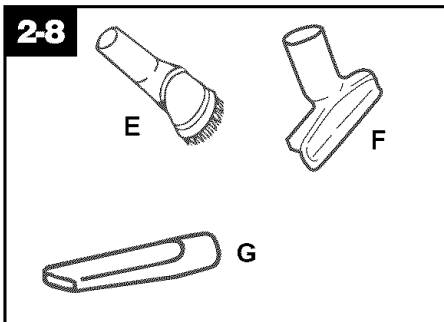
Cleaning tools

The cleaning tools are conveniently stored on the cleaner.

A tool may be attached to either the hose or wand by pushing it firmly onto the hose end or the end of the wand. Twist tool slightly to tighten or loosen the connection.

The cleaning tools have many uses. Select the tool best suited for the cleaning task from the following descriptions.

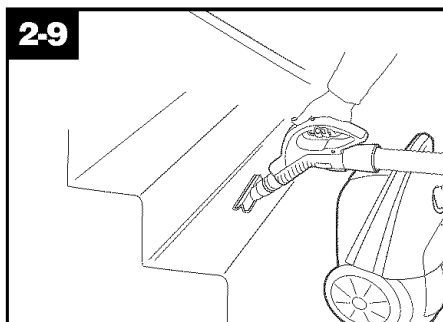
G. Crevice tool (stores inside tool lid) may be used in tight spaces, corners, and along edges in such places as dresser drawers, upholstered furniture, stairs and baseboards.



Select the proper tool

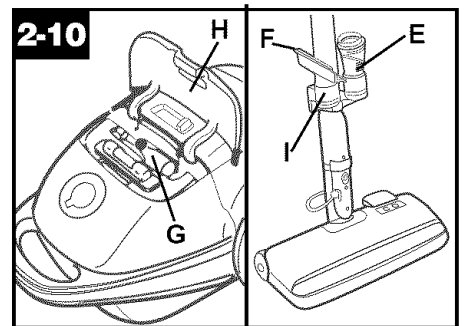
E. Round swivel brush (stores on extension wand) may be used for carved furniture, table tops, books, lamps, lighting fixtures, venetian blinds, baseboards, shutters and registers. The head of the brush swivels for use in hard-to-reach spaces.

F. Upholstery tool (stores on extension wand) may be used for upholstered furniture, draperies, tapestries, mattresses, clothing, automobile interiors and carpeted stairs.



How to clean stairs

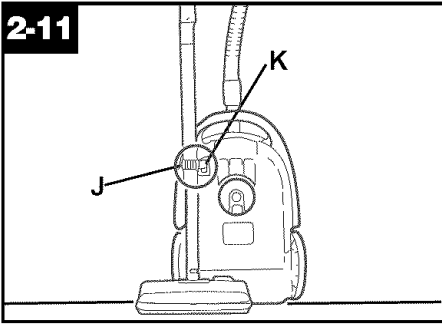
Clean stairs by placing cleaner on end. Clean stairs from bottom to top.



How to store cleaner

The cleaning tools are conveniently stored on the cleaner. Open the tool door (H), located on the cleaner body, for crevice tool (G) storage. Place the round swivel brush (E) and the upholstery tool (F) in the recessed area on the wand storage clip/tool holder (I), located on the extension wand.

2-11

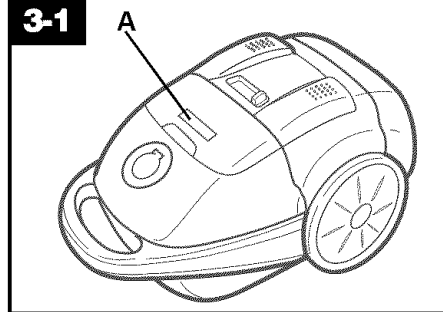


With the cleaner standing on end, the wand holder (J) may be inserted into the slot (K) on the bottom of the cleaner body as shown.

3. Maintenance

Filter bag

When to replace



Check the bag when the full bag indicator (A) shows red. When bag is filled with dirt, the cleaner will not operate efficiently. Discard used bag.

CAUTION: Very fine materials, such as face powder or cornstarch may seal the filter bag and cause it to burst even though it is only partially full of dirt. When using the cleaner to remove material of this nature, change the bag often.

Where to buy

Filter bags may be purchased from Authorized Hoover Dealers (Depots), Leading Retailers, Hoover Factory Service Centers, or through The Hoover Company online at www.hoover.com.

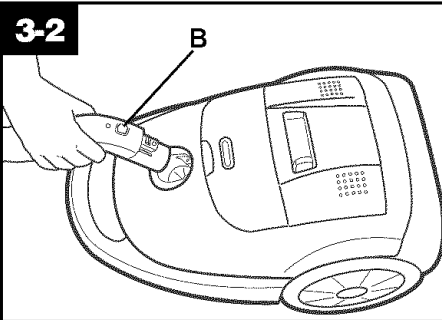
What to buy

In order to maintain the original cleaning effectiveness and superior filtration qualities of your cleaner, use only **Genuine Hoover® Allergen Filtration Type SR** disposable filter bags (package number 401010SR).

To assure that your HOOVER cleaner operates at peak performance, it is imperative that you use only genuine HOOVER filter bags distributed by The Hoover Company. HOOVER bags can be identified by these trademarks --



3-2

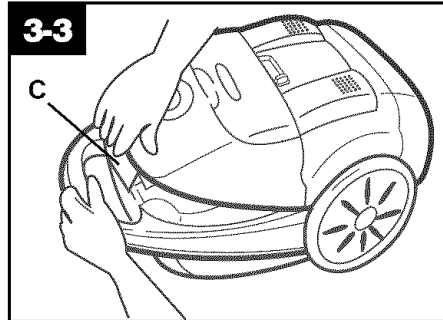


How to replace

Turn cleaner off and disconnect from electrical outlet.

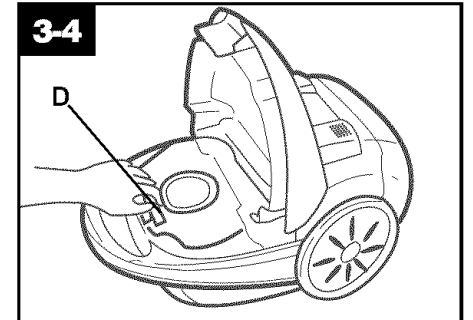
Disconnect hose from the cleaner, pressing the button (B) on the hose connector and pulling straight out.

3-3



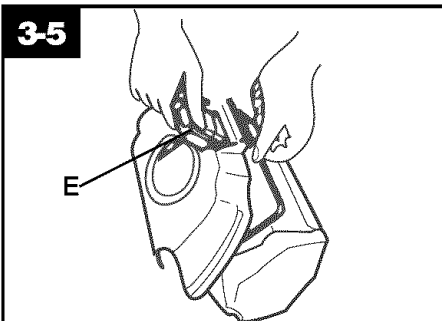
Open the filter bag door by pressing on the latch (C).

3-4



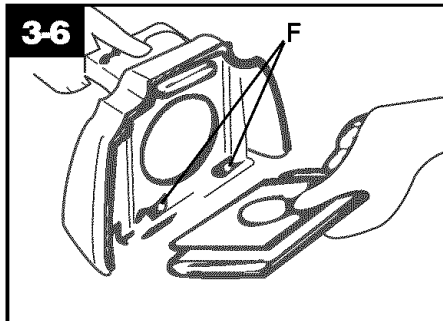
Pull up on the filter bag frame (D) and remove from bag compartment.

3-5



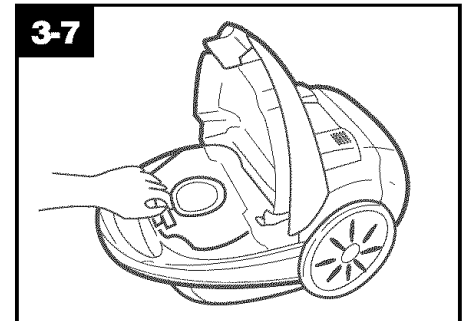
Press on filter bag clamp (E) to release bag from frame. Discard used bag. **Be careful not to dispose of filter bag frame.**

3-6



Place new filter bag behind tabs (F) on underside of bag frame.

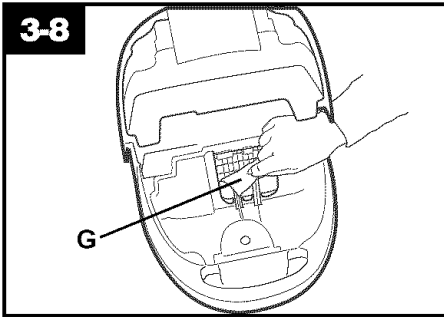
3-7



Return filter bag frame and filter bag to bag compartment, making sure all sides of filter bag are within the bag compartment.

Close the bag compartment door and reattach hose.

Do not operate cleaner without filter bag in place.



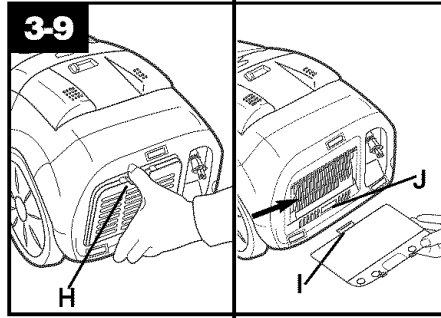
Filters - secondary and final

How to clean

Turn cleaner off and disconnect from electrical outlet.

The **secondary filter** (G), located at the rear of the filter bag compartment, protects the motor from dirt particles. If the filter becomes dirty, lift filter out. Wash filter in warm water. Allow to air dry **completely** before returning filter to cleaner.

Do not operate cleaner without secondary filter in place.



Turn cleaner off and disconnect from electrical outlet.

The **final filter**, located on the back of the cleaner body, aids in the filtration process to return clean air to the room. To remove this filter, use thumb to open and pull down on filter door (H). Lift filter out and wash in warm water. Allow to air dry **completely** before replacing filter. Return filter to the inside of the filter door. Replace filter door by aligning tab (I) on door with slot (J) on cleaner body. Rotate door upwards, pressing to snap into place.

Belt replacement

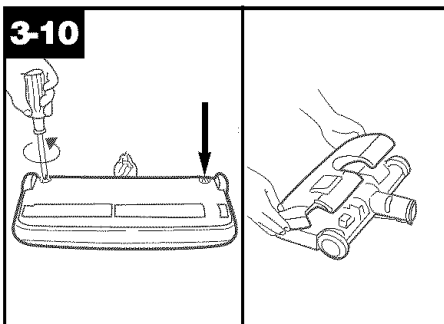
The belt in your power nozzle drives the agitator. It has been designed specifically for use in this cleaner and is important for effective operation.

What to buy

There are other belts manufactured that are similar in shape and size, but are not designed for the HOOVER Duros™ power nozzle. Such belts do not operate the agitator correctly and may create stress which could damage your power nozzle. Use only a genuine HOOVER belt **package no. 40201270** (part no. 59134226) when a belt replacement is necessary.

When to replace

The belt should be checked from time to time to be sure it is in good condition. To check, remove the nozzle cover (see following section). Replace the belt if it is stretched, cut, or broken.

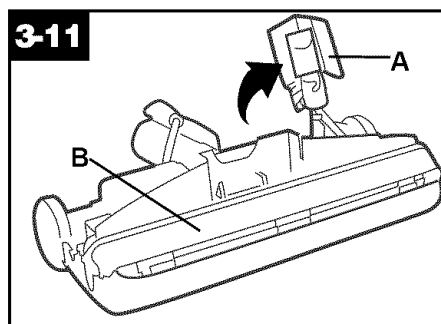


How to replace

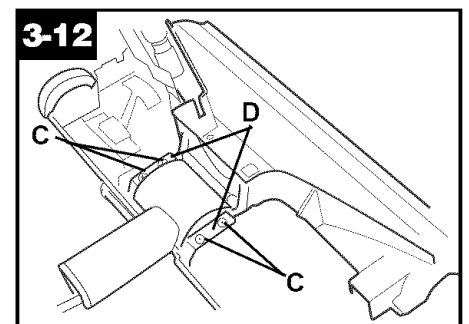
Turn cleaner off and disconnect from electrical outlet. Disconnect power nozzle from extension wands.

To remove hood, turn nozzle over and unscrew the 2 recessed screws.

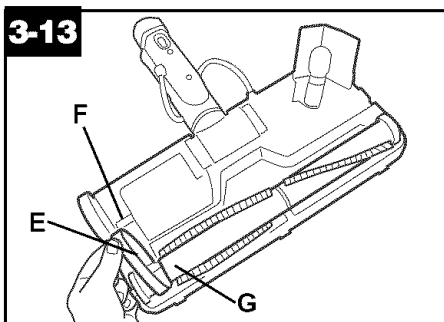
Return nozzle to original position and lift off hood.



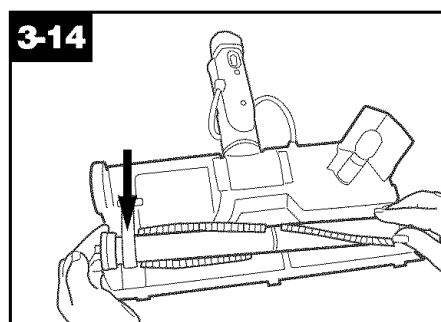
Rotate headlight assembly (A) away from the brush roll cover (B).



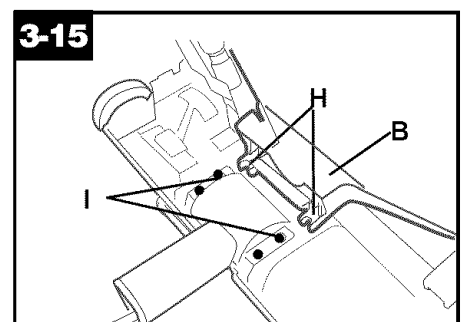
Unscrew four screws (C) located at rear of brush roll cover. Remove two metal brackets (D). Lift off brush roll cover.



If belt (E) is not broken, but is stretched or cut, pull it off the motor pulley (F). Lift up end of agitator brush roll (G). Remove old belt from agitator pulley and replace with new belt. Lettering on belt must be visible. Stretch belt back and attach to motor pulley.

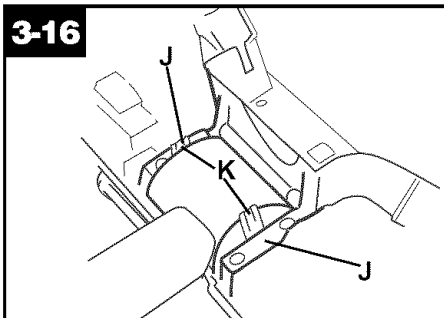


Hold opposite end of agitator brush roll in place. Push belt end forward, pushing down until fully seated in place. Turn agitator, making sure it rotates freely.



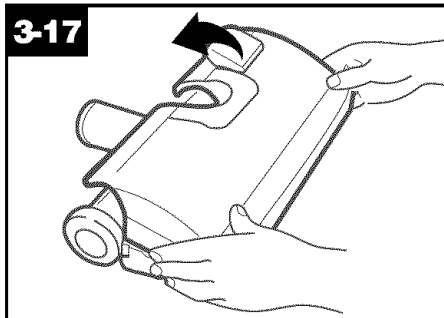
Replace brush roll cover (B) over agitator brush roll by aligning the two U-shaped slots in the brush roll cover (H) with the center screw housings (I). Press brush roll cover back into position.

Continued →



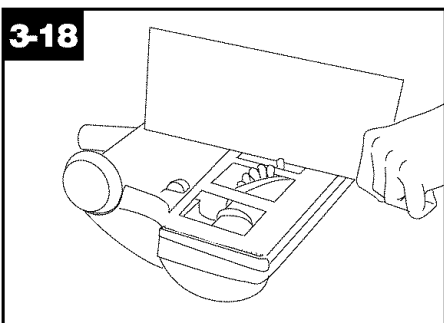
Reposition two metal brackets (J), making sure back of post (K) is facing toward the center as shown. Replace four screws.

Rotate the headlight assembly back into position.



Position hood on top of nozzle base.

Turn nozzle over. Replace 2 screws.



Agitator brush roll replacement

When to replace

Turn cleaner off and disconnect from electrical outlet.

When agitator brush roll brushes are worn, the brush roll should be replaced.

To check condition of brushes, move edge of a card across bottom plate while turning brush roll. To maintain cleaning effectiveness, replace brush roll if brushes do not touch card.

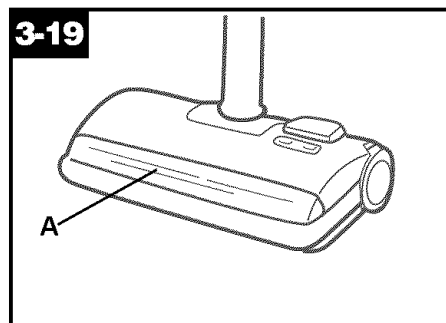
What to buy

When purchasing a new agitator brush roll, ask for HOOVER part no. 59134225.

How to replace

Turn cleaner off and disconnect from electrical outlet.

1. Remove hood, headlight assembly, brush roll cover, belt and brush roll as shown in Figs. 3-10 to 3-13.
2. Discard old brush roll.
3. Replace new brush roll and belt as shown in Figs. 3-14 to 3-17.



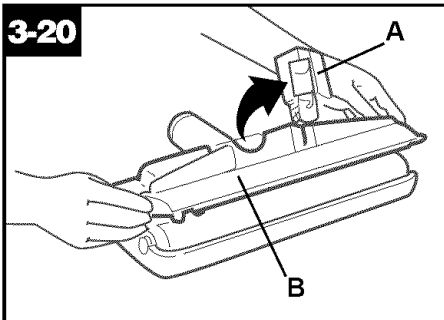
Headlight replacement

The headlight (A), located on top of the power nozzle, operates when the cleaner is turned on, **except** when the power nozzle switch is in the OFF position. Use only HOOVER part no. 59134219 when replacing the headlight.

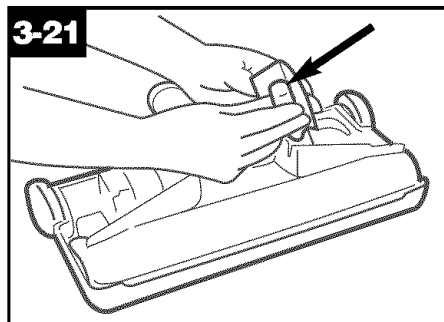
How to replace

Turn cleaner off and disconnect from electrical outlet. Disconnect power nozzle from extension wands.

1. Remove the hood as shown in Fig. 3-10.



2. Rotate headlight assembly (A) away from the brush roll cover (B).



3. Push old bulb into socket and twist to remove. Push new bulb into socket and twist into place.

4. Replace the headlight assembly.

5. Position hood on top of nozzle base.

Turn nozzle over. Replace 2 screws.

Lubrication

The motor is equipped with two bearings that contain sufficient lubrication for the life of the motor. The addition of lubricant could cause damage.

Therefore, do not add lubricant to either motor bearing.

Service

To obtain approved HOOVER service and genuine HOOVER parts, locate the nearest **Hoover Factory Service Center or Authorized Hoover Warranty Service Dealer (Depot)** by:

- checking the Yellow Pages under "Vacuum Cleaners - Household" OR -
- checking the list of Factory Service Centers provided with this cleaner OR -
- checking the Service section of The Hoover Company online at www.hoover.com OR -
- calling **1-800-944-9200** for an automated referral of authorized service outlet locations (U.S. only).

Please do not send your cleaner to The Hoover Company in North Canton for service, this will only result in delay.

If further assistance is needed, contact The Hoover Company Consumer Response Center, Phone: 330-499-9499.

In Canada, contact Hoover Canada, Burlington, Ontario L7R 4A8, Phone: 1-800-263-6376.

Always identify your cleaner by the **complete** model number when requesting information or ordering parts. (The model number appears on the bottom of the cleaner.)

4. If you have a problem

If a minor problem occurs, it usually can be solved quite easily when the cause is found by using the check list below.

Problem: Cleaner won't run

Possible cause

Possible solution

- **Not firmly plugged in.**
 - *Plug unit in firmly.*
- **No voltage in wall plug.**
 - *Check fuse or breaker.*
- **Blown fuse or tripped breaker.**
 - *Replace fuse/reset breaker.*

Problem: Cleaner suction low

Possible cause

Possible solution

- **Filter bag full.**
 - *Replace filter bag.*
- **Obstruction in nozzle connector, hose or wands.**
 - *Remove obstruction.*
- **Secondary filter dirty.**
 - *Clean filter with water, allow to dry and replace in cleaner.*
- **Power set too low.**
 - *Increase power setting by pushing suction control slide switch toward MAX.*
- **Hose not properly connected to cleaner**
 - *Ensure hose is properly connected.*

Problem: Agitator brush roll won't run

Possible cause

Possible solution

- **Broken or worn belt.**
 - *Replace belt.*
- **RUG/FLOOR pedal set to "FLOOR".**
 - *Set rug/floor pedal to "RUG".*
- **Power nozzle switch "OFF".**
 - *Turn switch to "ON" position.*

Problem: Nozzle won't pick up

Possible cause

Possible solution

- **Low cleaner suction.**
 - *See section "Cleaner suction low".*
- **Blockage in nozzle connector.**
 - *Remove blockage.*
- **Agitator brush roll not running.**
 - *See section "Agitator brush roll won't run".*
- **Agitator brush roll brushes worn.**
 - *Replace brushes.*

Clearing blockages

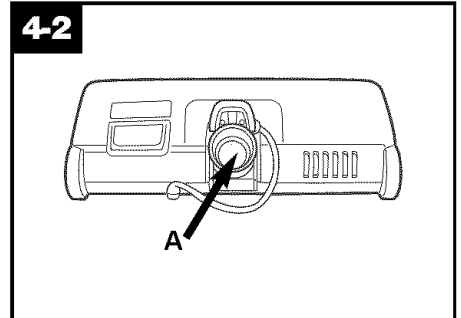
Low suction or pick up may be due to a blockage in the system. Refer to the following steps to check for blockages, continuing with each step until the blockage is found:

1. Turn cleaner off and **disconnect from electrical outlet; then disconnect power nozzle plug and wands from hand grip.**



2. Plug cleaner in, turn on, and check hose end for suction. Remove any obstructions.

3. Remove power nozzle from wands and attach wands to hose. Check for suction and remove any blockages.



4. **Make sure power nozzle is disconnected from hand grip.** Then check for blockage in nozzle connector (A).

Push nozzle connector down to lowest position. Look into nozzle connector and remove any blockage.

Continued →

Full One Year Warranty (Domestic Use)

Your HOOVER® appliance is warranted in normal household use, in accordance with the Owner's Manual against original defects in material and workmanship for a period of one full year from date of purchase. This warranty provides, at no cost to you, all labor and parts to place this appliance in correct operating condition during the warranted period. This warranty applies when the appliance is purchased in the United States including its territories and possessions, or in Canada or from a U. S. Military Exchange. Appliances purchased elsewhere are covered by a limited one year warranty which covers the cost of parts only. This warranty does not apply if the appliance is used in a commercial or rental application.

This warranty only applies when the product is in use in the country or territory in which it is purchased.

Warranty service can only be obtained by presenting the appliance to one of the following authorized warranty service outlets. Proof of purchase will be required before service is rendered.

1. Hoover Factory Service Centers.
2. Hoover Authorized Warranty Service Dealers (Depots).

**For an automated referral of authorized service outlets in the U.S.A.,
phone 1-800-944-9200 OR**

**visit The Hoover Company online at
www.hoover.com**

This warranty does not cover pick up delivery, or house calls; however, if you mail your appliance to a Hoover Factory Service Center for warranty service, transportation will be paid one way.

While this warranty gives you specific legal rights, you may also have other rights which vary from state to state.

If further assistance is needed, or if there are questions concerning this warranty or the availability of warranty service outlets, phone the Hoover Consumer Response Center, 1-330-499-9499.

In Canada, contact Hoover Canada, Burlington, Ontario L7R 4A8, 1-800-263-6376.