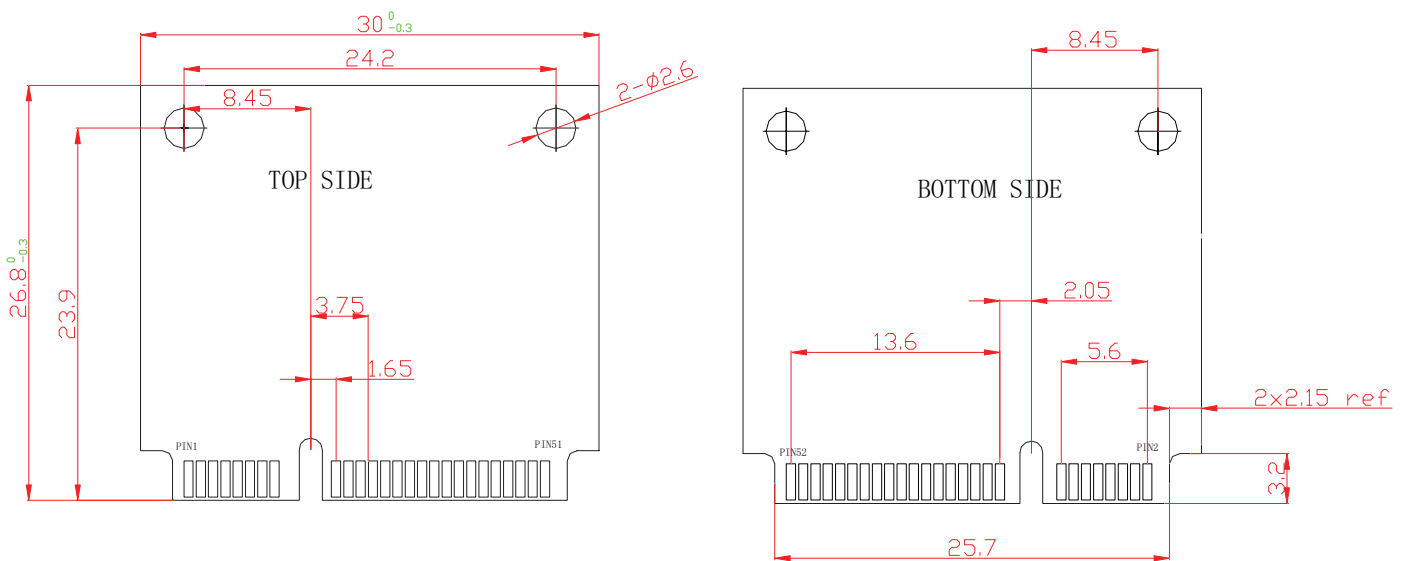


Pin Definitions

Pin	Definition	Pin	Definition
1	WAKE	27	GND
2	+3.3V	28	N/A
3	N/A	29	GND
4	GND	30	N/A
5	N/A	31	N/A
6	N/A	32	N/A
7	CLKREQ	33	N/A
8	N/A	34	GND
9	GND	35	GND
10	N/A	36	USB_D-
11	N/A	37	GND
12	N/A	38	USB_D+
13	N/A	39	+3.3V
14	N/A	40	GND
15	GND	41	+3.3V
16	N/A	42	N/A
17	N/A	43	GND
18	GND	44	LED_WLAN
19	N/A	45	N/A
20	W_DISABLE	46	N/A
21	GND	47	N/A
22	PERST	48	N/A
23	N/A	49	N/A
24	N/A	50	GND
25	N/A	51	N/A
26	GND	52	+3.3V

Mechanical Dimensions



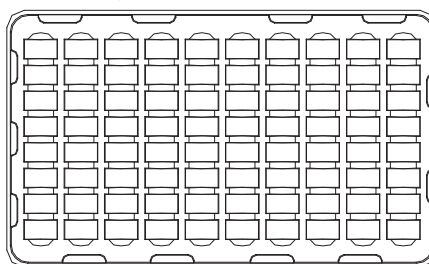
* TOLERANCES ARE +/-1.0mm UNLESS OTHERWISE SPECIFIED

* UNITE :mm

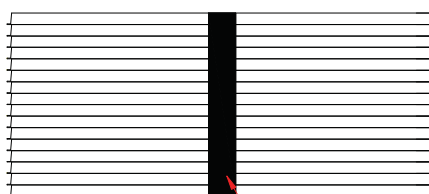
Packing pattern:

Mounting Type	Dimension(mm)	No. of sets
Carton	390*300*275	2000

 WIFI模块



吸塑托盘



用PE胶带扎紧

