

Product Information

Measuring Range

HOVR 2.0 2000BT Maximum measuring range: 2000 YD

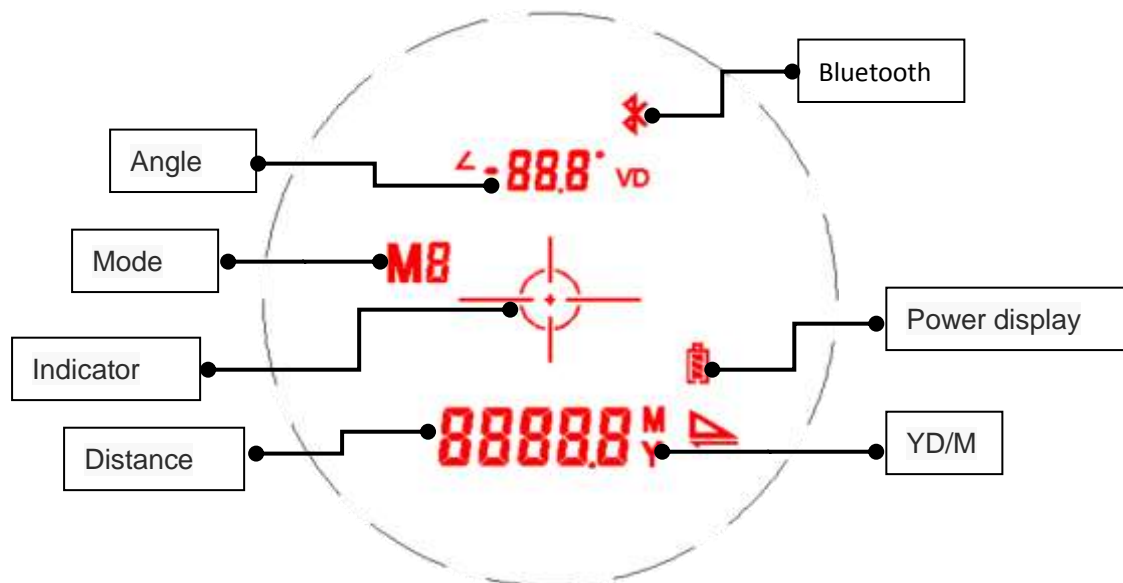
The measuring range of this series of rangefinders is defined under the following conditions:

- 1 Measuring target is of moderate reflectivity, such as building walls
- 2 Measuring targets' reflective surfaces are perpendicular to the laser
- 3 The weather for measuring should be sunny but not under direct sunlight
4. The size of reflective measuring surface should be no less than 2m*2m

Features:



LCD Display:



Applications and main product features

1. The product has a 6x optical viewing system fulfilling the measuring function. It can be customized according to customer requirements; for detailed information, please contact the local dealer.
2. The product is gracefully designed under the concept of human engineering
3. The product waterproof ability meets up with the class of IP54 (Not for underwater use)
4. The product has automatic shutdown function (8 seconds if unattended).

Measuring objects

The laser rangefinder is suitable for measuring high reflectivity objects (such as highway signs), moderate reflectivity objects (such as building walls) and low reflectivity objects (such as trees, golf flag etc). The measuring range will be shortened as reflectivity declines.



Moderate reflective object



High reflective object



Low reflective object



Figure 1



Figure 2

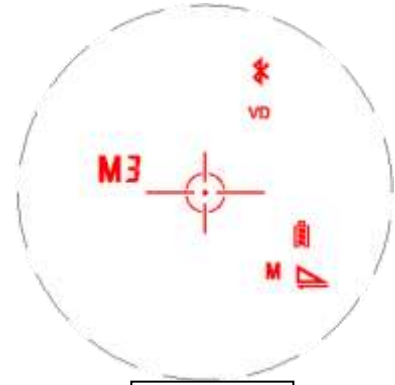


Figure 3

Operating instructions :

Distance + Angle +Bluetooth + continuous measurement (long press the power button);

1. Press the RANGE button to start up, and confirm the normal power supply and display of the liquid crystal.
2. Hold the RANG button for 2 seconds to enter continuous measurement.
3. Press MODE button and hold for more than 2 seconds to activate unit switch. (M

to YD) or (YD to M).

4. Hold down the MODE button for 4 seconds to enter bluetooth MODE.

5. The brightness switching sequence: starting from 1, gradually increasing brightness to 2, 3, 4, 5, then looping to 1, and looping in turn, the factory default brightness is 3 (the brightness level is turned on again, and the last setting is remembered)

The brightness of each gear will display the gear (1-2-3-4-5) when entering the brightness mode. Description of gear brightness (gray value 0x07-0xff):

6. After entering the brightness mode menu, short press the power button to switch the brightness level; short press the Mode button to exit the brightness mode and return to the previous function interface

Other Considerations

1. Generally, the higher the reflectivity of the objects the better the ranging ability is. For example, for moderate reflectivity objects, the measuring range can be up to 1,500 meters. For high reflective objects, the measuring range is beyond 1800 meters. But for low reflectivity ones, the figure is 800 meters.

2. Under the same conditions, the ranging ability will be better if the measured object is vertical with the laser. In some extreme situations, it's possible that the measuring range cannot meet the ranging ability specified in the manual.

3. Under the same conditions, the size and shape of the objects may influence the ranging ability. If the surface measured is small, and behind it are other objects, the laser rangefinder will only get the range of the first reflective object.

Precautions:

Do not stare at the laser beam for a long time.

The product's safety meets up with FDA Class 1 on vision, which means that under the condition of ordinary use, there is no risk of staring at the laser. However like any other laser device, proper precautions should be taken during the operation. It is recommended that not to stare at the laser emission hole while operating. Using other optical instruments together with this product may injure the eyes.

Do not measure the sun.

Measuring the sun through this product may cause permanent eye injury.

Do not target directly at the sun.

The internal components of lens system will get permanent damage when lens is placed directly under the sunlight, even for a short time.

Do not place the eyepiece under direct sunlight.

Place the eyepiece under direct sunlight may damage the internal display.

Do not store or use the product in extreme temperature conditions.

The temperature range for using the product is -4° F to + 140° F (0 ° C to 50 ° C). Do not store or use the product beyond the above temperature conditions

Key Description	Mode Button: Mode Switch		Power Button: Turn on; Send measurement command; Confirm command		
Key Description	Mode Button	Time (S)	Power Button	Time (S)	Function
	•	< 1	○		Mode Switch
	•	0-2	•	> 0	Brightness mode
	•	2 < t < 4	○		Switch measurement unit

Specifications:

Measuring range	10-2000M
measurement accuracy	±1M
Angle measurement range	(-60~60°)
Angle measurement accuracy	±1°
Laser type	905nm (Class I)
Gain	7X
Effective eyepiece	16mm
Exit pupil diameter	3.7mm
Objective lens aperture	24mm
Field of view	7.5°
Display screen	OLED
Battery specifications	CR2-3V
Operating temperature	(-10-50°C)
Size	106mmx76mmx39mm

Warnings

- Do not look at laser beam while using the product.
- Do not press the measuring button and mode button at the same time when lens aiming at object or checking optical system.
- Do not use other additional optical units to operate the product to avoid the risk of eye damage.
- Do not disassemble the product, otherwise the product will not be warranted by the manufacturer.
- Please put enough wrapping materials in the packing box to prevent goods' damages in transportation.
- Please remove the battery immediately and stop using the product if it falls onto the ground and generates abnormal sound.
- Please keep the product away from children. Don't put it on a high but uneven place to prevent goods' damages if it falls onto the ground.
- Do not place it in cars under direct sunlight or an environment with intense UV radiation

or near a heat source, otherwise the product will be damaged.

- If the product is used under rapid-changing temperatures; the lens surface will be covered by fog. Please don't use the product before the fog evaporates.
- With unclear exterior lens please use soft and clean cloth to clear it up. Never touch the lens with fingertips in order to protect the film on its surface.
- Considering service life, it is suggested not to measure objects within 20 meters too often or measure objects with high reflectivity too close or too often.



FCC Warning:

This equipment has been tested and found to comply with the limits for a Class B digital device, pursuant to part 15 of the FCC Rules. These limits are designed to provide reasonable protection against harmful interference in a residential installation. This equipment generates, uses and can radiate radio frequency energy and, if not installed and used in accordance with the instructions, may cause harmful interference to radio communications. However, there is no guarantee that interference will not occur in a particular installation. If this equipment does cause harmful interference to radio or television reception, which can be determined by turning the equipment off and on, the user is encouraged to try to correct the interference by one or more of the following measures:

- Reorient or relocate the receiving antenna.
- Increase the separation between the equipment and receiver.
- Connect the equipment into an outlet on a circuit different from that to which the receiver is connected.
- Consult the dealer or an experienced radio/TV technician for help.

Caution: Any changes or modifications to this device not explicitly approved by manufacturer could void your authority to operate this equipment.

This device complies with part 15 of the FCC Rules. Operation is subject to the following two conditions:

(1) This device may not cause harmful interference, and (2) this device must accept any interference received, including interference that may cause undesired operation.

This equipment complies with FCC radiation exposure limits set forth for an uncontrolled environment. This equipment should be installed and operated with minimum distance 0cm between the radiator and your body.

ISED Statement

- English: This device complies with Industry Canada license-exempt RSS standard(s). Operation is subject to the following two conditions: (1) This device may not cause interference, and (2) This device must accept any interference, including interference that may cause undesired operation of the device.

The digital apparatus complies with Canadian CAN ICES-3 (B)/NMB-3(B).

- French: Le présent appareil est conforme aux CNR d'Industrie Canada applicables aux appareils radio exempts de licence. L'exploitation est autorisée aux deux conditions suivantes: (1) l'appareil ne doit pas produire de brouillage, et (2) l'utilisateur de l'appareil doit accepter tout brouillage radioélectrique subi, même si le brouillage est susceptible d'en compromettre le fonctionnement. L'appareil numérique du CIEM conforme canadien peut - 3 (b) / nmb - 3 (b).

This device meets the exemption from the routine evaluation limits in section 2.5 of RSS 102 and compliance with RSS 102 RF exposure, users can obtain Canadian information on RF exposure and compliance.

Cet appareil est conforme à l'exemption des limites d'évaluation courante dans la section 2.5 du CNR - 102 et conformité avec RSS 102 de l'exposition aux RF, les utilisateurs peuvent obtenir des données canadiennes sur l'exposition aux champs RF et la conformité.

This equipment complies with Canada radiation exposure limits set forth for an uncontrolled environment.

This equipment should be installed and operated with minimum distance 0cm between the radiator & your body.

Cet équipement est conforme Canada limites d'exposition aux radiations dans un environnement non contrôlé.

Cet équipement doit être installé et utilisé avec une distance minimale de 0 cm entre le radiateur et votre corps.