

Preface

Thank you for purchasing HYT TC-310 Business Two-Way Radio. It adopts ergonomic design to bring you excellent user experience, and is applicable for a variety of industries such as hospitality, property management, retail, entertainment and manufacture.

This easy-to-use radio will deliver your secure, instant and reliable communication at peak efficiency. Please read this manual carefully before use. The information presented herein can help you to derive optimum performance from your radio.

MODELS COVERED BY THIS MANUAL:

TC-310 UHF Two-Way Radio

Icon Information

The following icons are available through this manual:



Warning/ Caution: represents important safety information, to make users aware of misoperations that may cause malfunction of the radio, personal injury or property damage.



Note: indicates important information which helps you make better use of your radio.

Copyright Information

HYT and CRS are registered trademarks of HYT in P.R.C and other countries and/or areas. HYT retains the ownership of its trademarks and product names. All other company and/or product names used in this manual are trademarks and/or registered trademarks of their respective owners.

Disclaimer

HYT endeavors to achieve the accuracy and completeness of this manual, but no warranty of accuracy or reliability is given. All the above specifications and designs are subject to change without notice due to continuous development. No part of this manual may be copied, reproduced, translated, stored in a retrievable system, distributed, or transmitted in any form or by any means, electronic or mechanical, for any purpose without the express written permission of HYT.

Contents

Safety Information	3
Product Inspection	4
Radio Overview	5
Battery Information	7
Antenna Information	11
Assembly and Disassembly	12
Attaching/Removing the Battery	12
Attaching/Removing the Antenna	14
Attaching/Removing the Belt Clip	14
Attaching/Removing the External Earpiece/Mini USB Device	15
Basic Operations	16
Turning the Radio On/Off	16
Adjusting the Volume	17
Selecting a Channel	17
Transmitting	17
Receiving	17
Programmable Auxiliary Functions	17
Advanced Operations	18
CTCSS/CDCSS	18
Battery Save	18
Power Adjust	18
Time-out Timer (TOT)	18
Battery Strength Indicator	19
Monitor	19
Scan	20
Busy Channel Lockout (BCL)	22
Low Battery Alert	22
Voice-Operated Transmit (VOX)	22
Compandor	23
Scrambler	23
Troubleshooting	24
Care and Cleaning	25
Optional Accessories	25

SAFETY TRAINING INFORMATION



Your **HYT** radio generates RF electromagnetic energy during transmit mode. This radio is designed for and classified as “Occupational Use Only”, meaning it must be used only during the course of employment by individuals aware of the hazards, and the ways to minimize such hazards. This radio is **NOT** intended for use by the “General Population” in an uncontrolled environment.

This radio has been tested and complies with the FCC RF exposure limits for “Occupational Use Only”. In addition, your **HYT** radio complies with the following Standards and Guidelines with regard to RF energy and electromagnetic energy levels and evaluation of such levels for exposure to humans:

- FCC OET Bulletin 65 Edition 97-01 Supplement C, Evaluating Compliance with FCC Guidelines for Human Exposure to Radio Frequency Electromagnetic Fields.
- American National Standards Institute (C95.1-1992), IEEE Standard for Safety Levels with Respect to Human Exposure to Radio Frequency Electromagnetic Fields, 3 kHz to 300 GHz.
- American National Standards Institute (C95.3-1992), IEEE Recommended Practice for the Measurement of Potentially Hazardous Electromagnetic Fields– RF and Microwave.
- The following accessories are authorized for use with this product. Use of accessories other than those (listed in the instruction) specified may result in RF exposure levels exceeding the FCC requirements for wireless RF exposure.



To ensure that your exposure to RF electromagnetic energy is within the FCC allowable limits for occupational use, always adhere to the following guidelines:

- **DO NOT** operate the radio without a proper antenna attached, as this may damage the radio and may also cause you to exceed FCC RF exposure limits. A proper antenna is the antenna supplied with this radio by the manufacturer or antenna specifically authorized by the manufacturer for use with this radio.
- **DO NOT** transmit for more than 50% of total radio use time (“50% duty cycle”). Transmitting more than 50% of the time can cause FCC RF exposure compliance requirements to be exceeded. The radio is transmitting when the “TX indicator” lights red. You can cause the radio to transmit by pressing the “PTT” switch.

- **ALWAYS** keep the antenna at least 2.5 cm (1 inch) away from the body when transmitting and only use the **HYT** belt-clip which is listed in instructions when attaching the radio to your belt, etc., to ensure FCC RF exposure compliance requirements are not exceeded. To provide the recipients of your transmission the best sound quality, hold the antenna at least 5 cm (2 inches) from your mouth, and slightly off to one side.

The information listed above provides the user with the information needed to make him or her aware of RF exposure, and what to do to assure that this radio operates with the FCC RF exposure limits of this radio.

Electromagnetic Interference/Compatibility

During transmissions, your **HYT** radio generates RF energy that can possibly cause interference with other devices or systems. To avoid such interference, turn off the radio in areas where signs are posted to do so. **DO NOT** operate the transmitter in areas that are sensitive to electromagnetic radiation such as hospitals, aircraft, and blasting sites.

Occupational/Controlled Use

The radio transmitter is used in situations in which persons are exposed as consequence of their employment provided those persons are fully aware of the potential for exposure and can exercise control over their exposure.

IMPORTANT

READ ALL INSTRUCTIONS carefully and completely before using the transceiver

SAVE THIS INSTRUCTION MANUAL- This instruction manual contains important operating instructions for the Two-Way Radio

EXPLICIT DEFINITIONS

WORD	DEFINITION
WARNING	Personal injury, fire hazard or electric shock may occur.
CAUTION	Equipment damage may occur.
NOTE	If disregarded, inconvenience only. No risk of personal injury, fire or electric shock.

OPERATING NOTES

- When transmitting with a portable radio, hold the radio in a vertical position with its microphone 5 to 10 cm (2 to 4 inches) away from your mouth. Keep the antenna at least 2.5 cm (1 inch) from your head and body.
- If you wear a portable two-way radio on your body, ensure that the antenna is at least 2.5 centimeters (1 inch) from your body when transmitting.

PRECAUTIONS

WARNING! NEVER hold the transceiver so that the antenna is very close to, or touching exposed parts of the body, especially the face or eyes, while transmitting. The transceiver will perform best if the microphone is 5 to 10 cm (2 to 4 inches) away from the lips and the transceiver is vertical.

WARNING! NEVER operate the transceiver with a headset or other audio accessories at high volume levels.

CAUTION! NEVER short the terminals of the battery pack.

NEVER connect the transceiver to a power source other than the Battery listed below. Such a connection will ruin the transceiver.

DO NOT push the PTT when not actually desiring to transmit.

AVOID using or placing the transceiver in direct sunlight or in areas with temperatures below -30°C (-22°F) or above $+60^{\circ}\text{C}$ ($+140^{\circ}\text{F}$).

DO NOT modify the transceiver for any reason.

MAKE SURE the flexible antenna and battery pack are securely attached to the transceiver, and that the antenna and battery pack are dry before attachment. Exposing the inside of the transceiver to water will result in serious damage to the transceiver.

BE CAREFUL! The series transceivers employ waterproof construction, which corresponds to IPX7 of the international standard IEC 60529 (2001), 1 m depth for 30 minutes. However, once the transceiver has been dropped, waterproofing cannot be guaranteed due to the fact that the transceiver may be cracked, or the waterproof seal damaged, etc.

The use of **non-HYT** battery packs/chargers may impair transceiver performance and invalidate the warranty.

FCC CAUTION:






Changes or modifications to this device, not expressly approved by **HYT**, could void your authority to operate this transceiver under FCC regulations.

Product Inspection

Please unpack the package box carefully and check that all shipped items are received; report any missing or damaged items to your dealer.

Accessories supplied with the radio

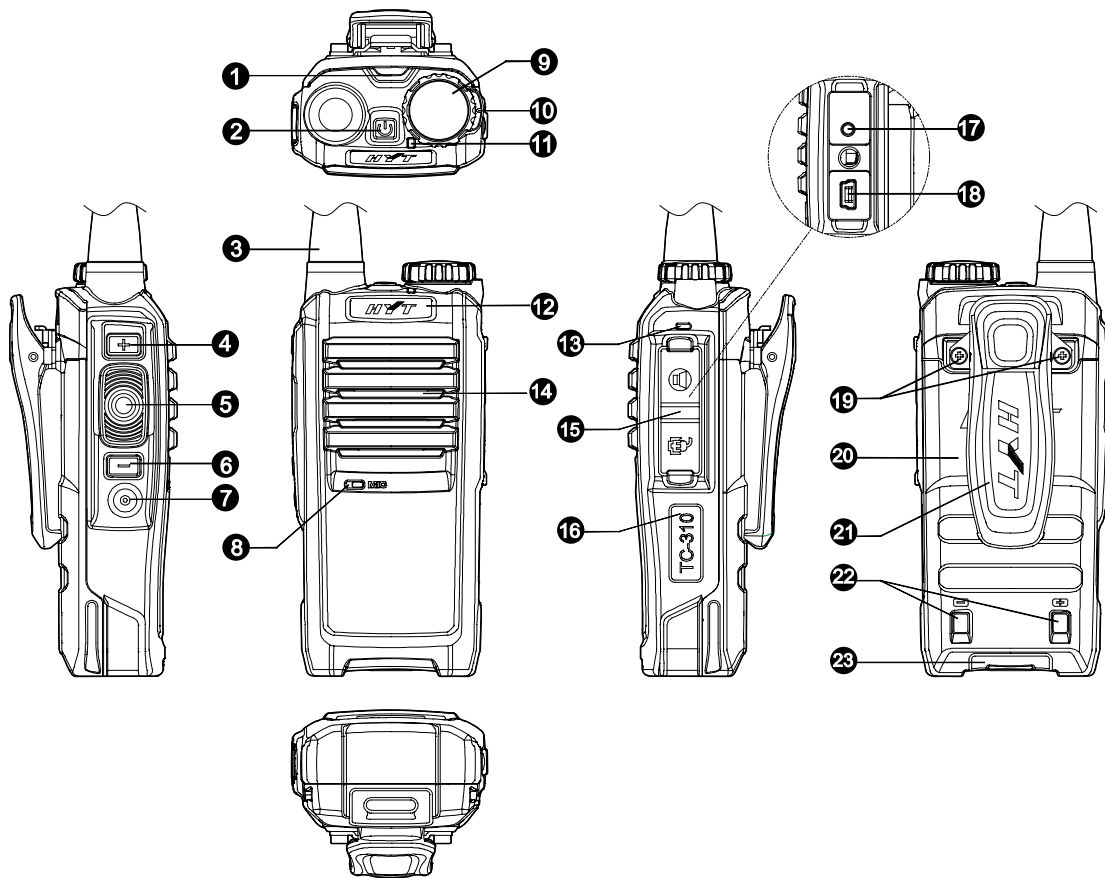
Item	Qty. (PCS)
Antenna	1
Strap	1
Belt Clip	1
Li-Ion Battery	1
Switching Power	1
Owner's Manual	1

			
Antenna	Li-Ion Battery	Switching Power	Strap
			
Belt Clip			



Note: Frequency band is marked on the label of antenna; if not, please refer to the label on the radio unit for frequency band information.

Radio Overview



(1) Strap Hole	(2) Power On/Off Key	(3) Antenna	(4) Volume Control Key [+]
(5) PTT (Push-to-Talk) Key	(6) Volume Control Key [-]	(7) Programmable Function Key	(8) Microphone
(9) Channel Selector Knob	(10) Channel Mark	(11) Status Indicator	(12) HYT Logo
(13) Charge Indicator	(14) Speaker	(15) Accessory Cover	(16) Model Label
(17) Audio Accessory Jack	(18) MINI USB Port	(19) Screw for Belt Clip	(20) Battery
(21) Belt Clip	(22) Charging Piece	(23) Battery Latch	

* PTT (Push-to-Talk) Key

Press and hold down the **PTT** key to transmit, and release it to receive.

* Programmable Function Key

The side keys can be programmed with long/short press functions by your dealer.



Note: Short Press means key press shorter than 1 second, while Long Press means key press longer than 1 second.

*** LED Indicator**

Status indications and alert tones are shown in the table below:

Power On (to enter User Mode)	When the radio is turned on, an alert tone sounds and the Status Indicator flashes orange once. When the radio is currently on a blank channel, it sounds beep tones continuously.
Power Off	When the radio is turned off, the power-off alert tone is heard.
Low Battery Alert	The Status Indicator flashes red, and a low-pitched tone sounds at an interval of 10 seconds.
Transmitting	The Status Indicator glows red. When TOT timer expires, the radio sounds beep tones continuously. A TOT pre-alert tone sounds before the TOT timer expires.
Receiving	The Status Indicator glows green when carrier is present.
Scanning	The Status Indicator flashes green once per second, while scanning is in process. Scan Start Alert (programmable by the dealer): one beep is heard. When signals are received on a certain channel, the Status Indicator solidly glows green. Scan End Alert (programmable by the dealer): one beep is heard.
Power Adjustment	A low-pitched tone is heard when the radio switches from high power to low power. A high-pitched tone is heard when the radio switches

	from low power to high power.
VOX	One beep sounds when the feature is enabled. Two beeps sound when the feature is disabled.
Companzor	
Scrambler	
Channel Lock	

*** Battery Latch**

Used to secure or remove the battery.

*** Audio Accessory Jack**

Used to connect audio accessories.

*** Mini USB Port**

Used to connect accessories such as programming cable, cloning cable and switching power.

Battery Information

Initial Use

New batteries from the factory are not fully charged, so be sure to charge a new battery for at least 5 hours before initial use. Three full charge-discharge cycles would optimize the capacity and performance of your battery. When battery power runs low, it is time to recharge or to replace the battery.

Applicable Battery Packs

Please only use the battery specified by HYT. Other batteries may burst, causing bodily injury and property damage.

Caution:

1. Do not dispose of the battery in fire!
2. Recycling and disposal of the battery shall comply with your local regulations.
3. Never attempt to dismantle the battery.



Note:

1. Charge the battery at a temperature among 5°C-40°C. Violation of the said limit may cause battery leakage or even damage.

2. When charging the battery that is attached to a radio, turn the radio off to ensure a full charge.
3. Never charge a wet battery or a wet radio with battery attached. Please dry it with a soft cloth prior to charge.
4. The battery will eventually wear out. When the operating time of a fully charged battery is noticeably shorter than its normal performance, you need to buy a new one. Please replace it ASAP.
5. If the product shuts off automatically due to low battery, please charge the battery soon, or the battery could suffer damage.
6. If you plan not to use the radio for a long time, please remove the battery from it to avoid any unexpected damage.
7. Do not charge fully charged batteries for an “extra boost”. This action will significantly reduce battery life.
8. Do not charge the radio/battery (which does not require to be charged any more) with a charger, because continuous charging may shorten the battery life. Note: Never use a charger to hold the radio.

To Prolong Battery Life

1. Battery performance will decrease greatly at a temperature below 0°C. Therefore, a spare battery is necessary in cold weather. However, the replaced battery that fails to function at a low temperature may work at room temperature, so keep it in place for later use.
2. The dust on the battery contact may make the battery work or charge abnormally. Please use a clean and dry cloth to wipe it before charging or attaching it to the radio.

Battery Storage

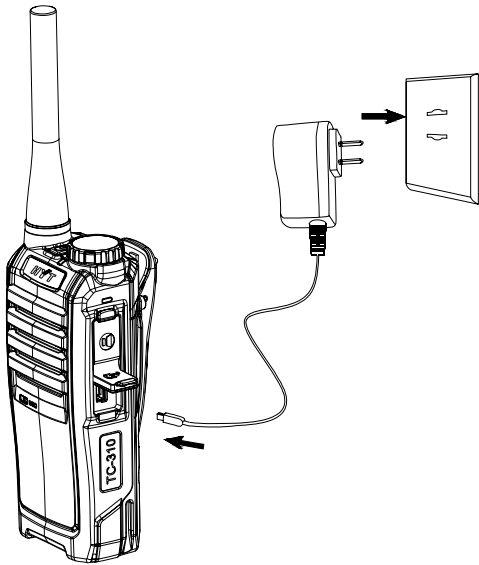
1. If you plan to store a battery for a long time, please fully charge it first to avoid battery damage due to over-discharge.
2. To avoid battery capacity reduction due to over-discharge, recharge a battery after storing it for a certain period of time: 6 months for Li-Ion & Li-polymer batteries.
3. Store your battery in a cool and dry environment at room temperature to reduce

self-discharge.

Charging the Battery

With a battery-attached radio, when the Status Indicator flashes red, and an alert tone sounds at an interval of ten seconds indicating the battery power runs low, please charge the battery immediately. Only use the charger specified by HYT. The Charge Indicator will indicate the charging progress as follows:

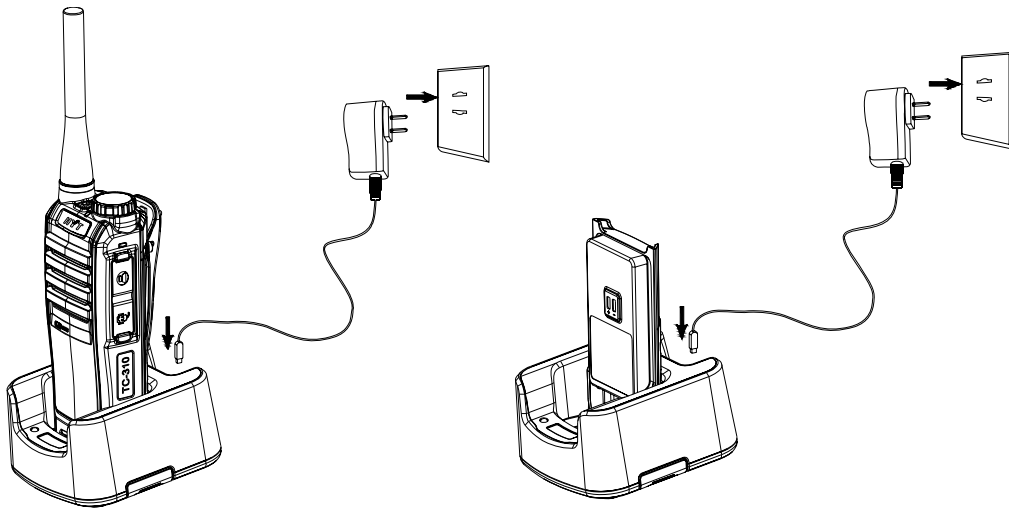
Please follow steps below to charge the radio with switching power:



1. Plug the AC connector of the switching power into an AC outlet socket.
2. Plug the Mini USB connector of the switching power into the Mini USB port at one side of the radio unit.
3. Make sure that the battery is in good contact with the switching power. The charging process begins when the Charge Indicator at one side of the radio unit glows orange.
4. When charging is completed, the Charge Indicator glows green. At this time, you may remove the radio.

Status	Charge Indicator of the Radio
Charging	Solidly glows orange
Fully charged	Solidly glows green

Please follow steps below to charge the radio/battery with a desktop charger:



1. Plug the AC connector of the switching power into an AC outlet socket.
2. Plug the Mini USB connector of the switching power into the Mini USB port on back of the desktop charger.
3. Place the radio with the battery attached, or the battery alone, into the charger.
4. Make sure that the battery is in good contact with charging pieces of the desktop charger. The charging process begins when the charger LED glows orange.
5. When charging is completed, the charger LED glows green. At this time, you may remove the radio.

Status	Charger LED
Charging	Solidly glows orange
Fully charged	Solidly glows green

You can also use HYT Six-Unit Switching Power to charge up to six radios/batteries simultaneously, as shown in Figure 1. Please refer to the Owner's Manual for Six-Unit Switching Power for detailed operation procedures.

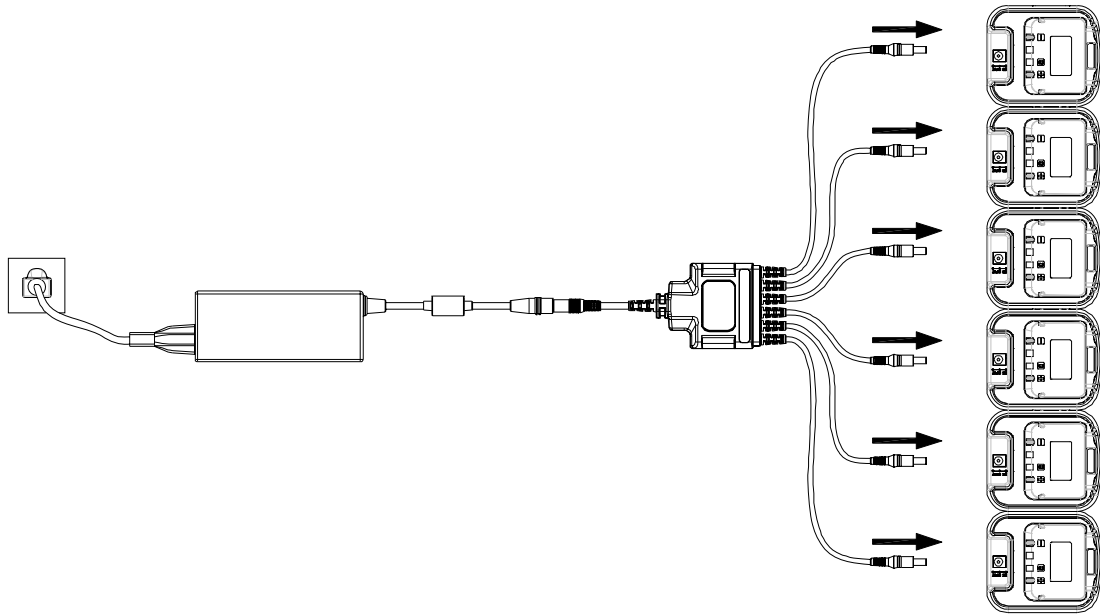


Figure 1 Schematic Diagram of Six-Unit Charger

When multiple desktop chargers are used simultaneously, you may connect the chargers in parallel to create a multi-unit charger.

Assembly Method: Slide the latch of a charger into the slot on the bottom of another charger, as shown in Figure 2.

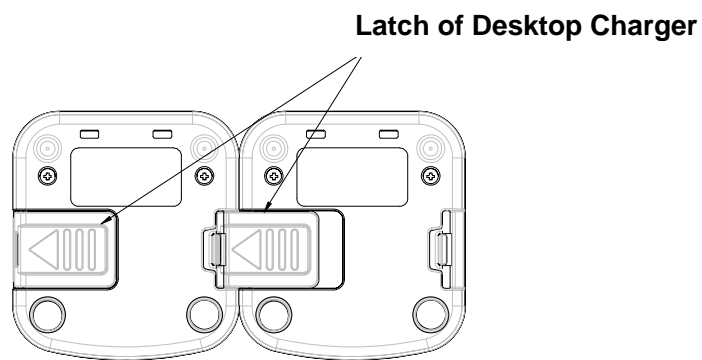


Figure 2 Diagram of Multi-Unit Charger Assembly

Antenna Information

- Stubby antenna is durable and ideal for communication at low transmit power.
- Communication range may vary with terrain and your operating conditions. Rainy

days or forest locations may narrow your communication range, so please make full preparations in advance to avoid potential inconvenience.

Assembly and Disassembly

Attaching/Removing the Battery

Attaching the Battery

1. Press the belt clip down (in direction of ①) to make its bottom up. Then push the battery (in direction of ②) into the radio. See Figure 1.

i Note: Make sure the battery tab is fully inserted into the radio's slot.

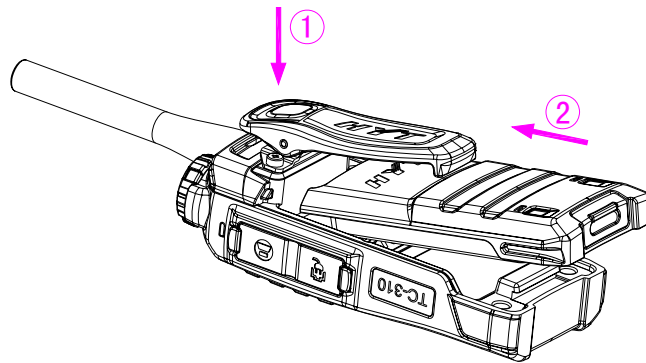


Figure 1

2. Press the battery bottom (in direction of ③) gently until a click is heard, which indicates that the battery is properly attached to the radio. See Figure 2.

i Note: If the battery latch is loose or unsecured, please take it down and attach it again.

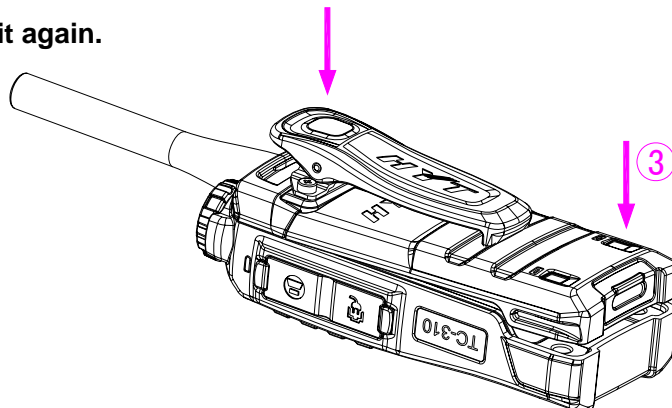


Figure 2

Removing the Battery

1. Make sure the radio is powered off first. Press the belt clip down (in direction of ①) to make its bottom up. Then lift the battery latch (in direction of ②). See Figure 3.

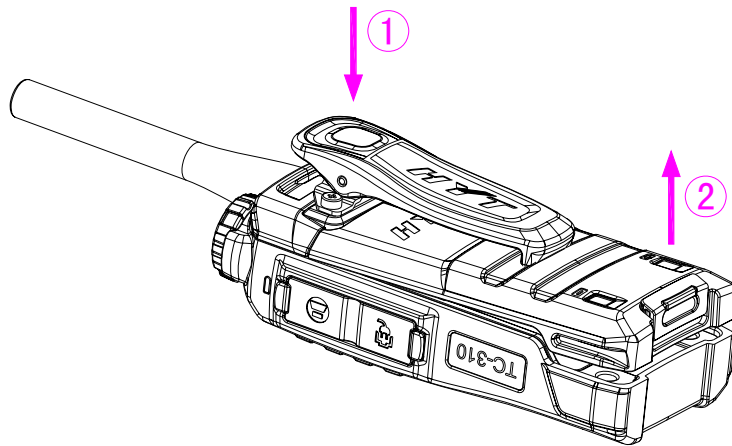


Figure 3

2. When the battery bottom gets tilted, release the latch and remove the battery (in direction of ③) as shown in Figure 4.

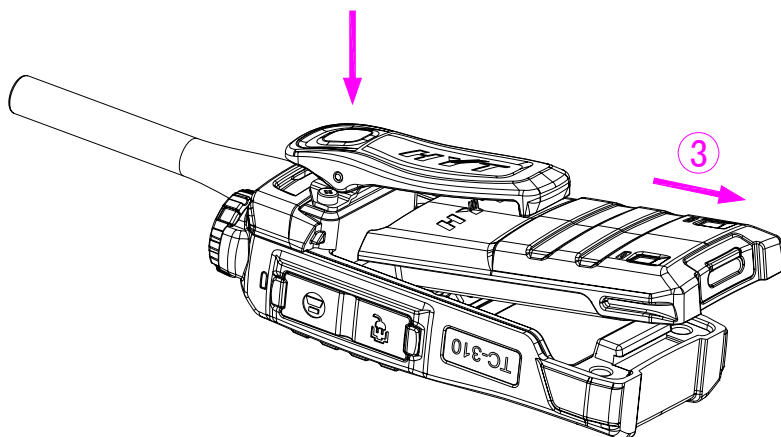


Figure 4

Attaching/Removing the Antenna

Attaching the Antenna

1. Align the threaded end of the antenna with the antenna connector located on the radio's top side.
2. And turn the antenna clockwise to fasten it. See Figure 5.

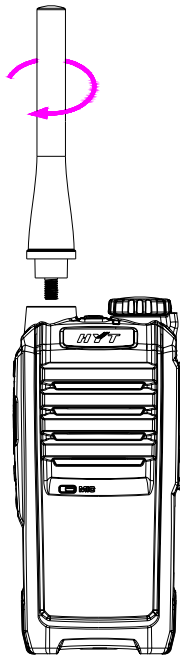


Figure 5

Removing the Antenna

Turn the antenna counter-clockwise until you can remove it.

Attaching/Removing the Belt Clip

Attaching the Belt Clip

Unfasten the two screws for belt clip by a screwdriver, then place the belt clip on the radio and align its two holes with two threaded holes of the radio, and secure the two screws again. See Figure 6.

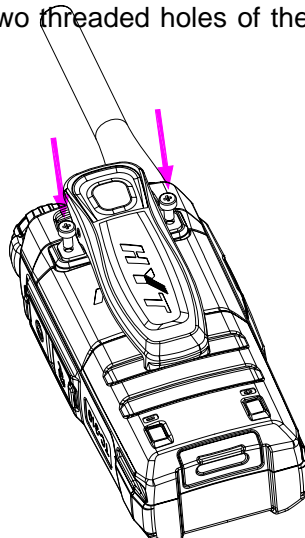


Figure 6

Removing the Belt Clip

Use a screwdriver to loosen the screws and remove the belt clip.



Note: Please be careful to avoid missing of screws.

Attaching/Removing the External Earpiece/Mini USB Device

Attaching the External Earpiece

Loosen the strap (①), and tie it to the strap hole (②). Uncover the accessory jack cover (③), and insert the earpiece plug into the jack (④). Then rotate the other end of the strap into the connector of the earpiece cable (⑤). If you want to adjust the connector's position, please hold the connector and draw the cable to avoid cable damage (⑥).

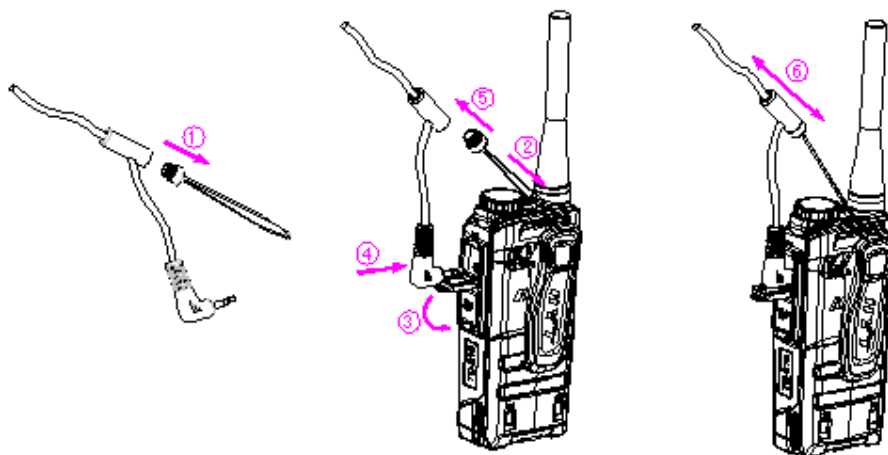


Figure 7

Removing the External Earpiece

Take converse steps to remove the external earpiece.



Note: When the earpiece is not in use, make sure the accessory jack is properly covered to prevent intrusion of dusts.

Attaching the External Mini USB Device

Uncover (not remove) the Accessory Cover (in direction of ①), and insert the Mini USB connector into the Mini USB port (in direction of ②). See Figure 8.

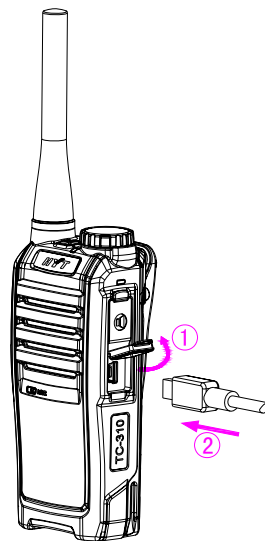


Figure 8

Removing the Mini USB Device

Pull the Mini USB connector out and remove it.



Note: When the Mini USB Device is not in use, make sure the accessory jack is properly covered to prevent intrusion of dusts.

Basic Operations

Turning the Radio On/Off

Long press the **Power On/Off Key** until an alert tone is heard to turn the radio on/off.

Adjusting the Volume

Press **[+]** to increase or **[-]** to decrease the volume level. During volume adjustment, the radio will sound alert tones at your selected volume level.

Selecting a Channel

Rotate the **Channel Selector Knob** to align the channel numbers.

Transmitting

Press and hold down the **PTT** key, and speak into the microphone at your normal voice level. Hold the radio about 2.5 to 5 centimeters away from your mouth.

Receiving

Release the **PTT** key to receive.

Programmable Auxiliary Functions

Your dealer can program the following auxiliary functions to the programmable keys (**with long/short press**).

- None
- Power Adjustment
- Monitor
- Monitor Momentary
- Scanning
- Scrambler
- Voice-operated Transmit (VOX)
- Compressor
- Squelch Off
- Squelch Off Momentary
- Battery Strength
- Channel Lockout (When this function is enabled, the current locked channel can not

switch even if you rotate the **Channel Selector Knob**, and this feature always remains valid after PC programming.)

Advanced Operations

The following functions are programmable by your dealer.

CTCSS/CDCSS

You may set up talkgroups with unique CDCSS/CTCSS to prevent unwanted conversations at the same frequency. If CTCSS/CDCSS is set on the current channel, CTCSS/CDCSS match is required for the radio to unmute to an incoming signal. If CTCSS/CCSS is not set, the radio can receive calls from all users operating at the same frequency. Your dealer may set CTCSS/CDCSS for some channels in advance.

This feature does not mean that your conversation will not be heard by others. Radios with the same CTCSS/CDCSS or with no CTCSS/CDCSS can also receive calls from you.

Battery Save

This feature can reduce power consumption (enabled by your dealer).

If the radio is not operated (no key-press or knob-rotary) in Standby status, it will automatically enter Sleep status upon expiration of a preset time (30 seconds by default via programming software). The radio may exit the Battery Save mode and get activated once any key is pressed or any signal is received.

Power Adjust

With this feature, press the programmed **Power Adjust** key to switch the TX power level between High and Low.

Time-out Timer (TOT)

This feature can prevent users from transmitting on the same channel for an extended period of time, and protect the radio from damage caused by prolonged transmission. If the preset time expires, the radio will automatically terminate transmission and keep

beeping until the **PTT** key is released.

Your dealer can program a pre-alert function to warn you of the TOT expiration in advance.

Battery Strength Indicator

When you intend to know the battery strength, press the programmed **Battery Strength Indication** key to illuminate the Status Indicator and learn the battery strength by different colors. To exit this function, release the key.

Status Indicator of different colors represents different battery strength levels. Refer to the table below:

Battery Strength	Status Indication
70% - 100%	Solidly glows green.
50% - 70%	Solidly glows orange.
30% - 50%	Solidly glows red.
10% - 30%	There is no indication upon press of the programmed Battery Strength Indication key. However, the indicator keeps flashing red in operation status.
Less than 10%	There is no indication upon press of the programmed Battery Strength Indication key. However, the indicator keeps flashing red in standby status and keeps sounding a low-pitched tone at an interval of 10 seconds. If you press PTT at this time, the radio will sound an alarm sound to warn you of the transmission inhibition.

Monitor

- **Squelch Off**

Purpose: In this mode, the speaker is unmuted in any condition so as to receive any sound on the current channel. When audio signal is received on the channel, audio will be heard. Otherwise, background noise will be heard.

Operation: Press the **Squelch Off** key to enter this mode, and press it again to exit.

- **Squelch Off Momentary**

Purpose: Refer to **Squelch Off**.

Operation: Hold down the **Squelch Off Momentary** key continuously to enter this mode, and release the key to exit.

- **Monitor**

Purpose: In this mode, the receiving party can receive incoming calls from the transmitting party regardless of CTCSS/CDCSS condition. If the carrier condition is not satisfied, the receiving party will fail to receive any incoming calls.

Operation: Press the **Monitor** key to enter this mode, and press it again to exit.

- **Monitor Momentary**

Purpose: Refer to **Monitor**.

Operation: Hold down the **Monitor Momentary** key continuously to enter this mode, and release the key to exit.

Scan

The Scan feature enables a two-way radio to continuously scan each channel for activity. Press the key programmed as **Scan**, scan starts from the current channel and ascends through the channel numbers in scan list. The Status Indicator flashes green during scanning. When signals are received on a certain channel with signaling matches, the Status Indicator solidly glows green. To exit Scan mode, press this key again.

When Scan feature is activated, the radio begins continuous scanning for activity on channel that can be scanned. If any activity is detected, the radio will switch the channel to receive the call (the channel that can be scanned are programmed by your dealer).

No Priority Channel

Suppose there is a scan list of 6 channels and all channels are non-prioritized, the normal scan operation may proceed in the following sequence, as shown in Figure 1.

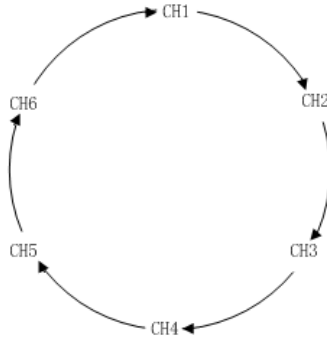


Figure 1 Normal Scan Sequence

Priority Channel Scan

Suppose there is a scan list of 5 channels and Channel 2 is prioritized as Priority 1, the scan operation may proceed in the following sequence, as shown in Figure 2.

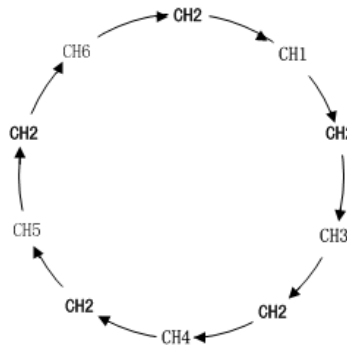


Figure 2 Priority Scan Sequence

- **Scan On/Off**

You can enter Scan mode through any of the following two methods:

- Key-operated Entry

Press the programmed **Scan** key to enter Scan mode, provided that there are no less than 2 channels in the scan list. Press the **Scan** key again or power the radio off to exit this mode.

- Auto Entry

If Auto Scan is enabled on a channel, the radio will automatically enter Scan mode when it switches to this channel. When it switches to other channels or is powered off, the radio will exit from Scan mode.

- **Talk Back**

This option defines whether users can talk back on the channel where scanning pauses.

Checked: When the radio is staying on a scanned channel, it transmits on the scanned

channel; when the radio is not staying on a scanned channel, it transmits on a preset channel.

Unchecked: The radio transmits on the preset channel.

- **Priority Scan**

This function enables users to scan the most frequently used channel so that messages will not be missed. The priority channels are programmed by your dealer via programming software. Please contact your local dealer for more information.



Note: Even though the radio stays on a non-priority channel, activities on the priority channel are still under detection. The radio will switch to the priority channel once any activity is detected.

- **Available Keys in Scan Mode**

PTT key, Volume Control key [+]/[-], Squelch Off, Squelch Off Momentary, Monitor and Monitor Momentary.

Busy Channel Lockout (BCL)

This function can help avoid interference between radios operating on the same channel. When the channel is already in use, the radio will sound a continuous warning tone and return to Receive mode upon **PTT** press. To cancel the tone, release the **PTT** key.

Low Battery Alert

When battery power runs low, the Status Indicator flashes red and a low-pitched tone will sound at an interval of ten seconds to remind users to replace the battery or charge the battery.

Voice-Operated Transmit (VOX)

With the dedicated VOX earpiece, you can enjoy hands-free communication. After this function is enabled, the radio will automatically begin transmitting when you speak, and terminate transmitting when you stop talking, with no need of **PTT** press.

Operation Steps:

1. Push the PTT/VOX switch on the earpiece to VOX.

2. Plug the earpiece into the accessory jack of the radio.
3. Press the programmed **VOX** key to activate the VOX feature.
4. Speak through the microphone on the earpiece to transmit your voice.

Operation Instructions:

1. Press the **PTT** key on your radio to disable the VOX during its operation, and release the key to reactivate this function.
2. Press the programmed **VOX** key to enable/disable the VOX feature, with corresponding alert tone. When it is enabled, the alert tone sounds once; when it is disabled, the alert tone sounds twice.
3. The VOX feature will be disabled automatically after the radio is turned off or programmed.
4. The VOX function will work with a dedicated earpiece.
5. Your dealer may set VOX sensitivity or disable the VOX feature through the programming software. The **VOX** key will be null once the VOX feature is disabled.

Compandor

With this feature, you can communicate with clear voice in despite of various noises. It can enable/disable through the programmed keys, or set on a definite channel by your dealer.

When this function is enabled, one beep sounds; when it is disabled, two beeps sound.

Scrambler

This technology can encrypt audio signals, and provide real security for privacy between communication parties. It can enable/disable through the programmed keys, or set on a definite channel by your dealer. When this function is enabled, one beep sounds; when it is disabled, two beeps sound.



Note:

1. If you intend to switch between VOX and PTT functions, unplug the earpiece, toggle the switch to VOX or PTT and plug the earpiece again.
2. After the above operations are completed, the radio takes approximately 2-3 seconds

to perform auto-detection until it operates normally. During the detection process, do not handle the earpiece; otherwise, it may malfunction due to detection errors.

3. If the earpiece functions abnormally, please pull and plug it again as instructed above.
4. You may select VOX levels according to the operating environment. Too much noise and too high VOX level may cause the radio to transmit continuously.
5. Use only the VOX earpiece specified by HYT, and properly plug it into the jack; otherwise, the VOX function may not work.

Troubleshooting









Symptom	Solution
Cannot power on the radio.	<ul style="list-style-type: none"> ● The battery may have run out. Please recharge the battery or replace it with a new one. ● The battery may have been improperly installed. Please remove the battery and insert it again.
The fully charged battery runs down quickly.	<ul style="list-style-type: none"> ● The battery may have worn out. Please replace it ASAP. ● The battery is not fully charged. Make sure the battery is removed only after the Charge Indicator of the radio or the charger LED glows green.
Cannot communicate with group members.	<ul style="list-style-type: none"> ● Make sure you are on the same channel - check whether the Channel Lock function is enabled or other channels are locked by error. When this function is enabled, current locked channel can not switch even if you rotate the Channel Selector knob. ● Make sure that radios in your group use the same CTCSS/CDCSS signaling and operate on the same channel.

	<ul style="list-style-type: none"> ● Group members may be too far away from each other. Please make sure that you are within the communication range.
Hear non-group members.	<ul style="list-style-type: none"> ● The CTCSS/CDCSS settings should be changed for all radios in your group by your dealer.
No voice or low voice received from the transmitting party.	<ul style="list-style-type: none"> ● Please ensure an adequate volume level is selected. ● Or please send the radio to your dealer for microphone examination.
Noises always on.	<ul style="list-style-type: none"> ● In Monitor mode, group members may have been too far away from each other. Please move within the communication range and then re-power the radio on. ● Please confirm whether there is strong interference near the radio.

Care and Cleaning

- Do not hold the radio by its antenna or external earpiece directly.
- Do not place the radio in a dusty or dirty environment.
- Clean the radio with a lint-free cloth to remove dirt or grease, to avoid poor contact due to excessive dust.
- Clean the radio using a lint-free cloth moistened with clean water and a mild dishwashing liquid.
- Avoid subjecting the radio to corrosives, solvents or spirits.

Optional Accessories

			
Earbud with In-Line PTT ESS09	Earset with In-Line MIC & VOX EHS09	Li-Ion Battery (1700mAh) BL1716	Six-unit Switching Power PS4001
			
Rapid-Rate Charger (for Li-Ion Battery) CH06L01	Vehicle Power Adapter PV1001	Remote Ring PTT Switch POA18	Wrist Strap (Nylon) NCN004

Note: Pictures above are for reference only and may vary from actual product. However, featuring functions shall be held.

The above items are the main optional accessories of this radio, and please contact your local dealer for more other accessories.