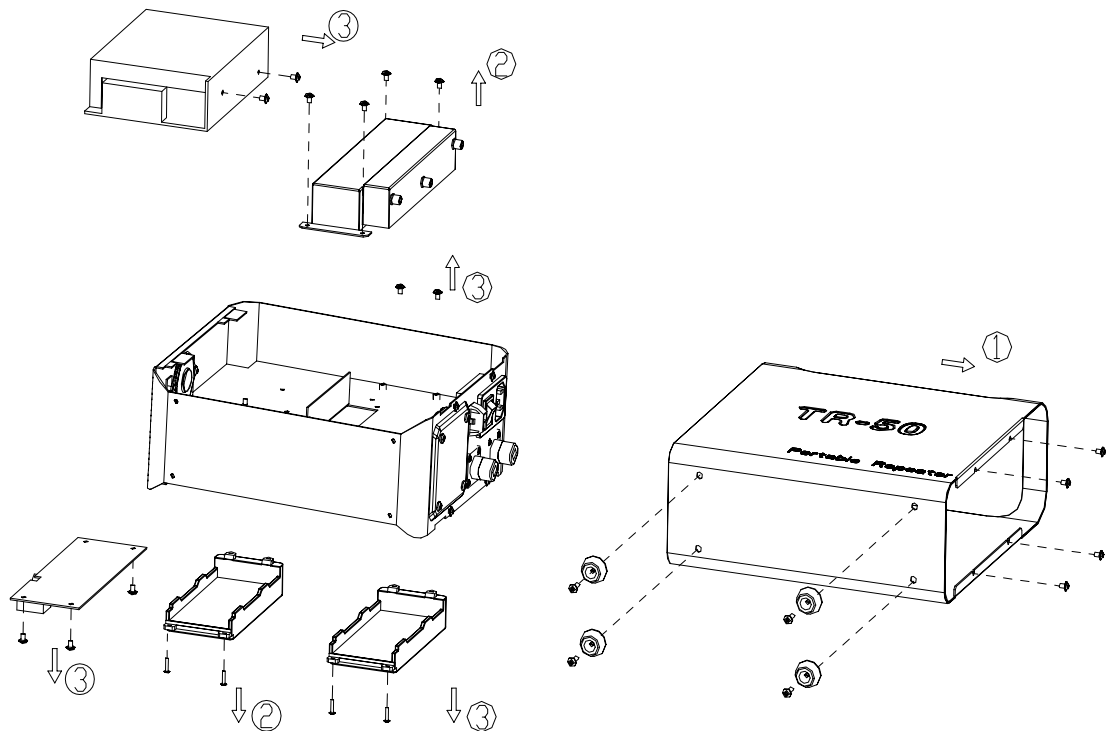


Assembly and Disassembly for repair

Disassemble the main unit

1. Remove with tool the four screws on the rear side of main unit, and the four on the bottom of the main unit together with the rubber gasket. Pull out the outer cover.
2. Remove the four screws fixing the duplexer and then remove those fixing the transceiver.
3. Remove the screws fixing transmitter, power supply, and control board.
4. Remove the accessories such as fan and Jack.



Exploded View

