
Remote Keyless Entry (HA-T008)

HYUNDAI AUTONET Co., Ltd.

San 136-1, Ami-ri, Bubal-eub, Ichon-si, Kyongki-do, 467-701, South Korea

– INDEX –

- An outline
- Description of Transmitter
- Block diagram from Transmitter

An outline of Transmitter and BCM

1. How to use HA-T008

- HA-T008 is Remote Keyless System.
- This unit control door lock/unlock/panic/tail gate unlock with wireless.
- This unit consist of Transmitter(HA-T008)

2. Introduction of Transmitter(HA-T008)

- Transmitter has four buttons
- Transmitter use the battery
- Frequency is 315 MHz
- Modulation item is SAW Resonator
- Transmitter use Rolling code algorithm

3. Regulatory Information

- THIS DEVICE COMPLIES WITH PART 15 OF THE FCC RULES
- Operation is subject to the following two conditions;
 - (1) this device may not cause harmful interface, and
 - (2) this device must accept any interference received, including interference that may cause undesired operation.

CAUTION: Changes and modifications not expressly approved by the party responsible for compliance could void the user's authority to operate the equipment.

Description of Transmitter

1. PRIMARY FUNTION

- Remote door lock/unlock/panic/tail gate unlock
- LED turn on (When button is pushed)
- Operating distance : 30 m over
- Id input(setting mode)

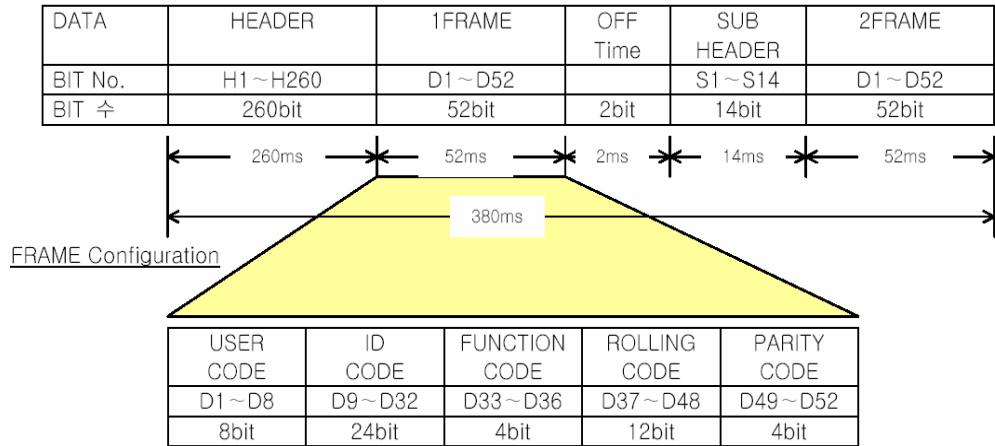
2. ELECTRICAL CHARACTERISTICS

	TRANSMITTER
model name	HA-T008
Operating voltage	3 VDC
Consumption current	Max 15 mA
Operating frequency	315 MHz
Power	75.6 dBuV/m under
Sensitivity	-
Operating temperature	- 20 ~ + 55 °C
ETC	FM modulation

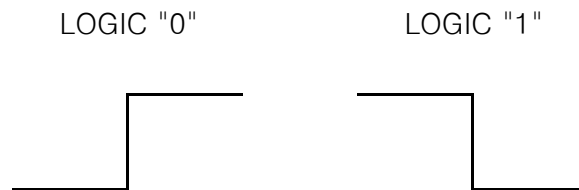
3. OPERATING DIAGRAM

1) TRANSMITTER

A) DATA FRAME



B) DATA FORMAT



C) TRANSMISSION SPECIFICATION

- BAUD RATE : 1 kbps
- CODING METHOD : MANCHESTER
- TRANSMISSION BIT COUNT : 380 BIT
- TRANSMISSION TIME : 380 ms ± 15 %

Block diagram from Transmitter

TRANSMITTER(HA-T008)

