



FCC ID: TQ8HA-T041/ IC: 5074A-HAT041

ATTACHMENT E.

- Hardware Manual -

HCT CO., LTD.

SAN 136-1, AMI-RI, BUBAL-EUP, ICHEON-SI, KYOUNGKI-DO, 467-701, KOREA
TEL:+82 31 639 8517 FAX:+82 31 639 8525 www.hct.co.kr

Report No. : HCTR0910FR01-1

1/1

Description of Transmitter

1. PRIMARY FUNCTION

- Remote door lock/unlock/panic/trunk
- Operating distance : 30 m over
- Id input(setting mode)

2. ELECTRICAL CHARACTERISTICS

	TRANSMITTER
model name	HA-T041
Operating voltage	3 VDC
Consumption current	Max 15mA
Operating frequency	315MHz
Power	75.6dBuV/munder
Sensitivity	-
Operating temperature	-20 ~ +60°C
ETC	FM modulation

3. DESCRIPTION MODE

1) Mode

Mode	ID INPUT (Setting Mode)	Normal Mode
B+	ON	ON
KEYLESS	-	OFF
ACC	-	OFF
IG	-	OFF
SETTING	use equipment	OFF

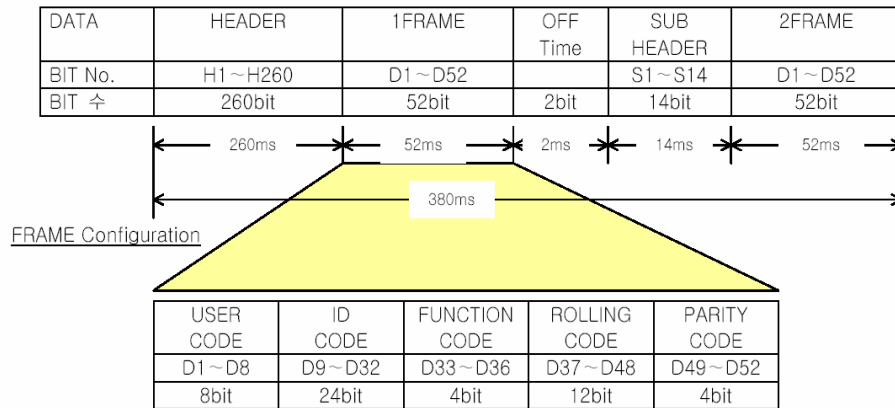
2) Id input(Setting Mode)

When Setting Mode, once the button push,

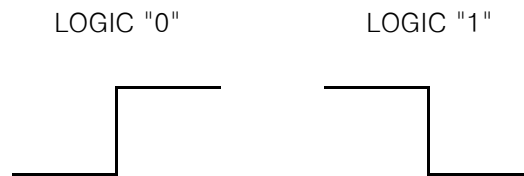
3. OPERATING DIAGRAM

1) TRANSMITTER

A) DATA FRAME



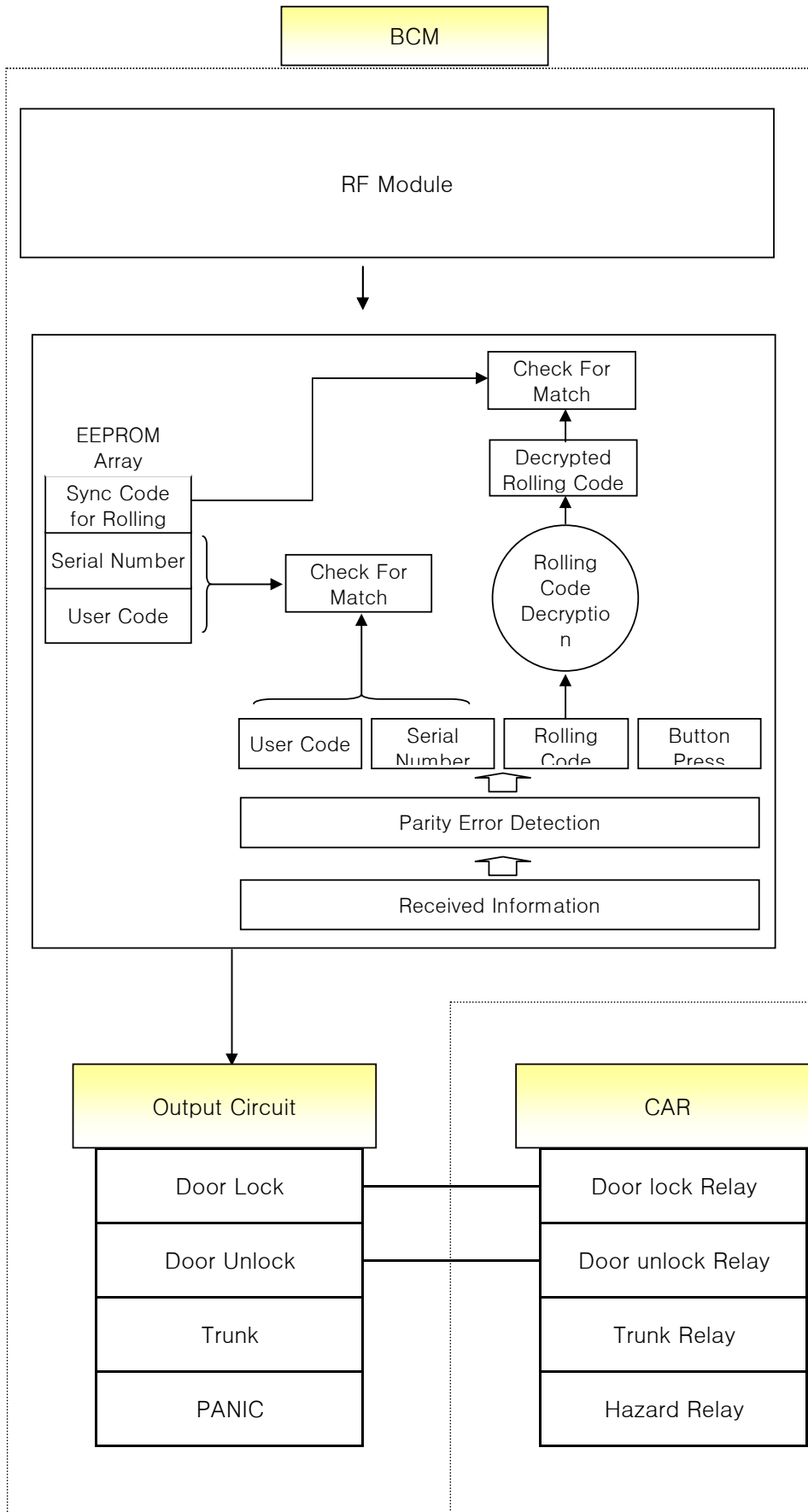
B) DATA FORMAT



C) TRANSMISSION SPECIFICATION

- BAUD RATE : 1kbps
- CODING METHOD : MANCHESTER
- TRANSMISSION BIT COUNT : 380BIT
- TRANSMISSION TIME : 380ms±15%

2) BCM



4. Information for FCC

Note: This equipment has been tested and found to comply with the limits for a Class B digital device, pursuant to part 15 of the FCC Rules. These limits are designed to provide reasonable protection against harmful interference in a residential installation. This equipment generates, uses and can radiate radio frequency energy and, if not installed and used in accordance with the instructions, may cause harmful interference to radio communications. However, there is no guarantee that interference will not occur in a particular installation. If this equipment does cause harmful interference to radio or television reception, which can be determined by turning the equipment off and on, the user is encouraged to try to correct the interference by one or more of the following measures:

- ⊗ Reorient or relocate the receiving antenna.
- ⊗ Increase the separation between the equipment and receiver.
- ⊗ Connect the equipment into an outlet on a circuit different from that to which the receiver is connected.
- ⊗ Consult the dealer or an experienced radio/TV technician for help.

Modifications not expressly approved by the manufacturer could void the user's authority to operate the equipment under FCC rules.

This device complies with Part 15 of the FCC Rules. Operation is subject to the following two conditions: (1) this device may not cause harmful interference, and (2) this device must accept any interference received, including interference that may cause undesired operation.

IC Warning

Operation of this device is subject to the following two conditions: (1) this device may not cause interference, and (2) this device must accept any interference, including interference that may cause undesired operation of the device.