



BLE-Box (4-channel / Multi-white / RGB)

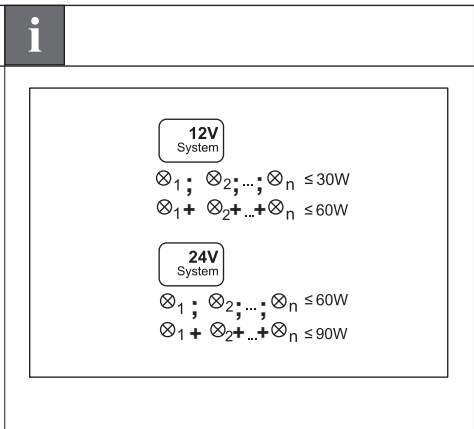
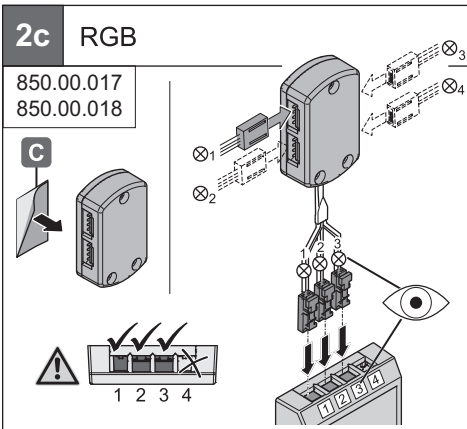
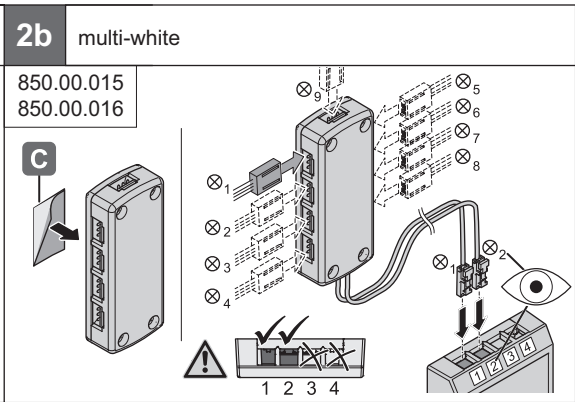
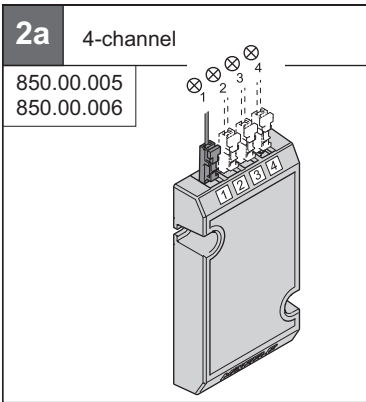
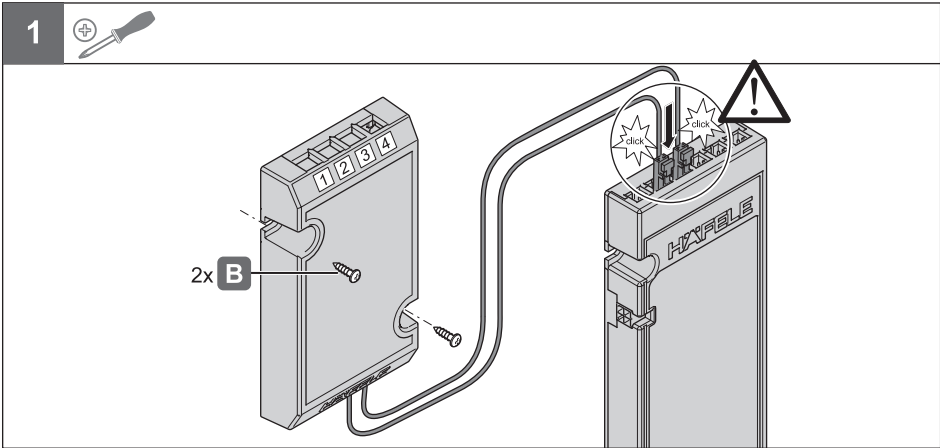
850.00.005	850.00.006
850.00.015	850.00.016
850.00.017	850.00.018

12V System	24V System	K	W	T _A	mm	mm	
850.00.005	4-channel	0 - 60 W	-25 °C – +65 °C -13 °F – +149 °F	100 x 57 x 17	≥110 x 67 x 27		
850.00.015	multi-white						
850.00.017	RGB						
850.00.006	4-channel	0 - 90 W	-25 °C – +65 °C -13 °F – +149 °F	100 x 57 x 17	≥110 x 67 x 27		
850.00.016	multi-white						
850.00.018	RGB						

	4-channel	multi-white	RGB
	850.00.005 850.00.006		
	2x B		2x B
		E	G

732.28.248

HDE 06/2017



FCC

“Changes or modifications not expressly approved by the manufacturer could void the user’s authority to operate the equipment”.

“This device complies with Part 15 of the FCC rules. Operation is subject to the following two conditions: (1) This device may not cause harmful interference, and (2) this device must accept any interference received, including interference that may cause undesired operation.”

IC

“This device complies with Industry Canada licence-exempt RSS standard(s). Operation is subject to the following two conditions: (1) This device may not interfere, and (2) this device must accept any interference, including interference that may cause undesired operation of the device.”

“Le présent appareil est conforme aux CNR d'Industrie Canada applicables aux appareils radio exempts de licence. L'exploitation est autorisée aux deux conditions suivantes : (1) l'appareil ne doit pas produire de brouillage, et (2) l'utilisateur de l'appareil doit accepter tout brouillage radioélectrique subi, même si le brouillage est susceptible d'en compromettre le fonctionnement.”

732.28.248

HDE 06/2017