

Doc: Exhibit 8, User manual

Product: Digitech Professional II

FCC ID: 2AAYWDPII

User Guide

The Digitech Professional II

Version 1.0

Revised: 2014-01-14



Contents

| | |
|---|-----------|
| User Guide | 1 |
| Version 1.0..... | 1 |
| <i>The Digitech Professional II (DP II)</i> | 1 |
| Digitech Professional II | 2 |
| System Description DP II | 6 |
| Computer Terminal | 7 |
| Detachable Computer Terminal | 8 |
| How to Assemble the Computer Terminal..... | 8 |
| How to Assemble the Computer Terminal..... | 9 |
| How to Disassemble the Computer Terminal..... | 9 |
| The Buttons on the Keyboard | 10 |
| Example Multi Function Button..... | 10 |
| DP Radio Button | 11 |
| Changing the Battery | 11 |
| Synchronizing the DP Radio Enter Button | 11 |
| Turn off/on the DP Radio Function..... | 11 |
| Synchronization with the DP II Smart Scale | 12 |
| Display..... | 12 |
| Battery Indicator..... | 12 |
| Charging the Computer Terminal..... | 13 |
| How to Charge..... | 14 |
| PC Communication | 15 |
| Connection to PC..... | 15 |
| BLUETOOTH® | 16 |
| Master | 16 |
| Look for other devices..... | 16 |
| Pair (BONDING) | 16 |
| PC..... | 16 |
| Example: Send File to the Computer Terminal with Bluetooth® | 17 |
| Program | 18 |
| Older programs | 18 |
| Updating programs | 18 |
| Transfer programs to the DP II | 18 |
| Activate the program license | 19 |
| Starting a new program | 19 |
| Upgrading the BIOS | 20 |
| Angle Measuring | 21 |
| Calibrating the inclinometer | 21 |
| Calibrate the zero angle (0) | 21 |
| System menus | 22 |
| RESET..... | 22 |

| | |
|---|-----------|
| LANGUAGES | 22 |
| START..... | 22 |
| SELECT PROGRAM | 22 |
| Delete all | 22 |
| LICENSE | 22 |
| Delete program | 23 |
| Files | 23 |
| File expolorer menu | 23 |
| File list | 23 |
| USB | 24 |
| Information | 24 |
| Receive file | 24 |
| FORMAT C: > | 24 |
| Settings | 25 |
| Serial port | 25 |
| Bluetooth® | 25 |
| Com cable..... | 25 |
| Language | 25 |
| Contrast..... | 25 |
| CLOCK | 25 |
| Calibrate | 25 |
| Test Menu | 26 |
| Scale | 26 |
| Long timer 600 | 26 |
| No timer..... | 26 |
| Read Time..... | 26 |
| AD-channels | 26 |
| Backlight | 26 |
| Charger info | 26 |
| Flashdisc c: > | 26 |
| Blue terminal | 26 |
| DP II Smart Scale | 27 |
| Unique jaw design | 28 |
| Robust Design..... | 28 |
| Rechargeable Batteries - Environmental Concern..... | 29 |
| Charging the DP II Smart Scale | 30 |
| Foldable Jaws | 31 |
| How to adjust jaws angle | 32 |
| Handle lock | 32 |
| Adjusting the Handle | 33 |
| Calibration..... | 33 |
| Controlling the DP II Smart Scale | 34 |
| Maintenance | 34 |
| Technical Specification..... | 35 |
| Packet Contents..... | 36 |
| Product and Safety Specifications | 37 |
| Regulatory compliance FCC statement | 37 |
| Note..... | 37 |
| CAUTION | 37 |

| | |
|------------------------------------|-----------|
| European compliance statement..... | 37 |
| Juridical information | 38 |
| Haglöf Sweden® | 39 |

The Digitech Professional II (DP II)

The DP II caliper incorporates the experience and know-how from Haglöf Sweden's over 70 years of developing and manufacturing professional field measuring instrument solutions for use in forests all over the world. Our long experience combined with great innovation capacity and new ideas have resulted in this revolutionary computer caliper. The DP II includes these and more unique features:

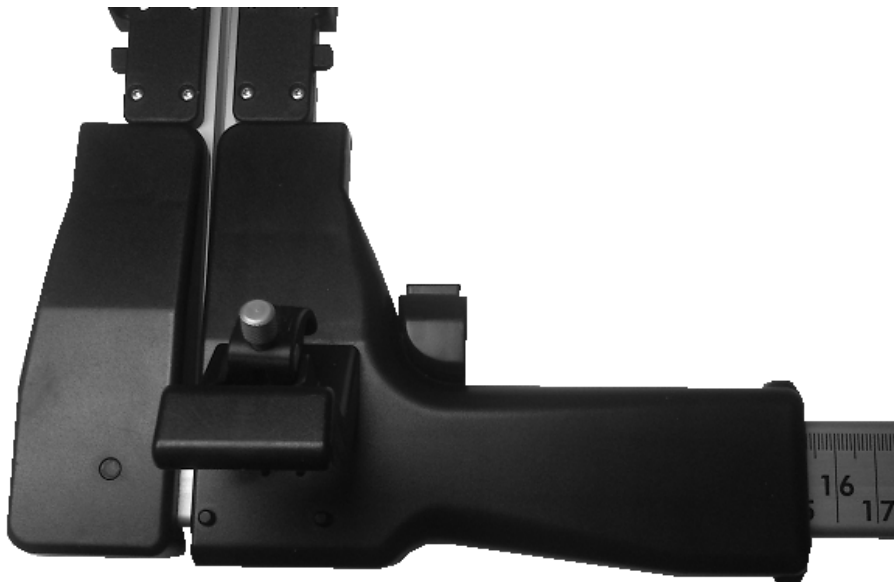
- The lightest and most modern computer caliper on the market: Only 890g or 35.6oz for 500mm/18" scale.
- Built-in metal chassis in computer terminal for high stability
- Patented foldable jaws with new design for easier use in confined spaces
- Built-in rechargeable Li-ion batteries for environmental concern
- DP II Smart Scale measuring system with wireless radio communication
- Flexible use and optional placing of computer terminal
- Built-in USB communication for quick and safe data transmission
- Serial RS232 communication
- Built-in Bluetooth®
- Updated technology, secure data storage (SD card) and great memory capacity (>1GB)
- Extensive software library and adaptable and compatible software options for all types of work
- Built-in clinometer and communication with Haglöf Sweden height measuring instruments
- Low energy consumption with over one work week on one single charge
- Backlit graphical black/white display with excellent visibility

Digitech Professional II

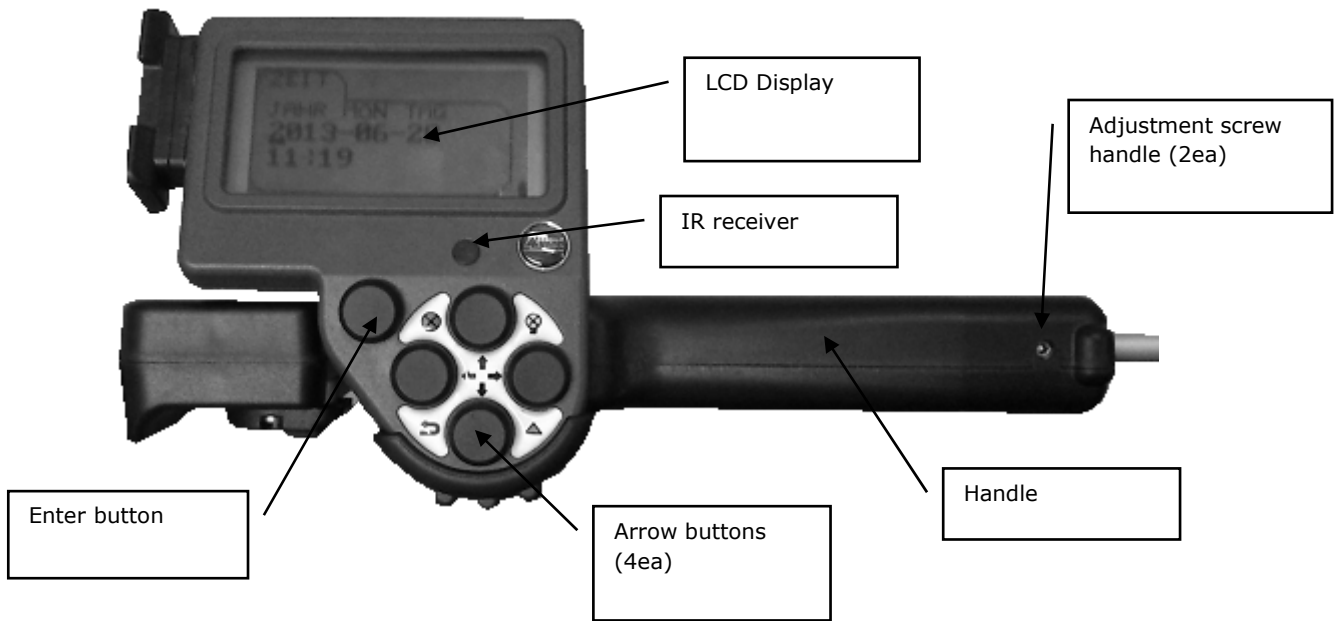
The Digitech Professional II system contains from the DP II Computer Terminal , the DP II Smart Scale and DP Radio Button.



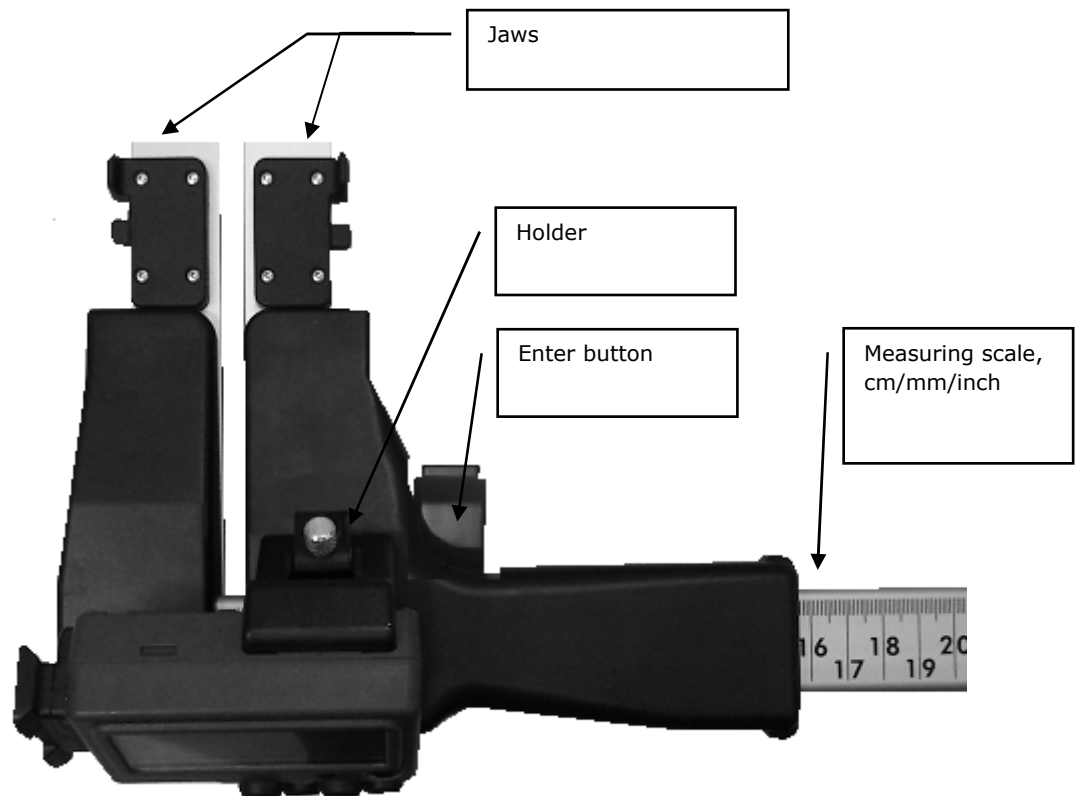
DP II Computer Terminal



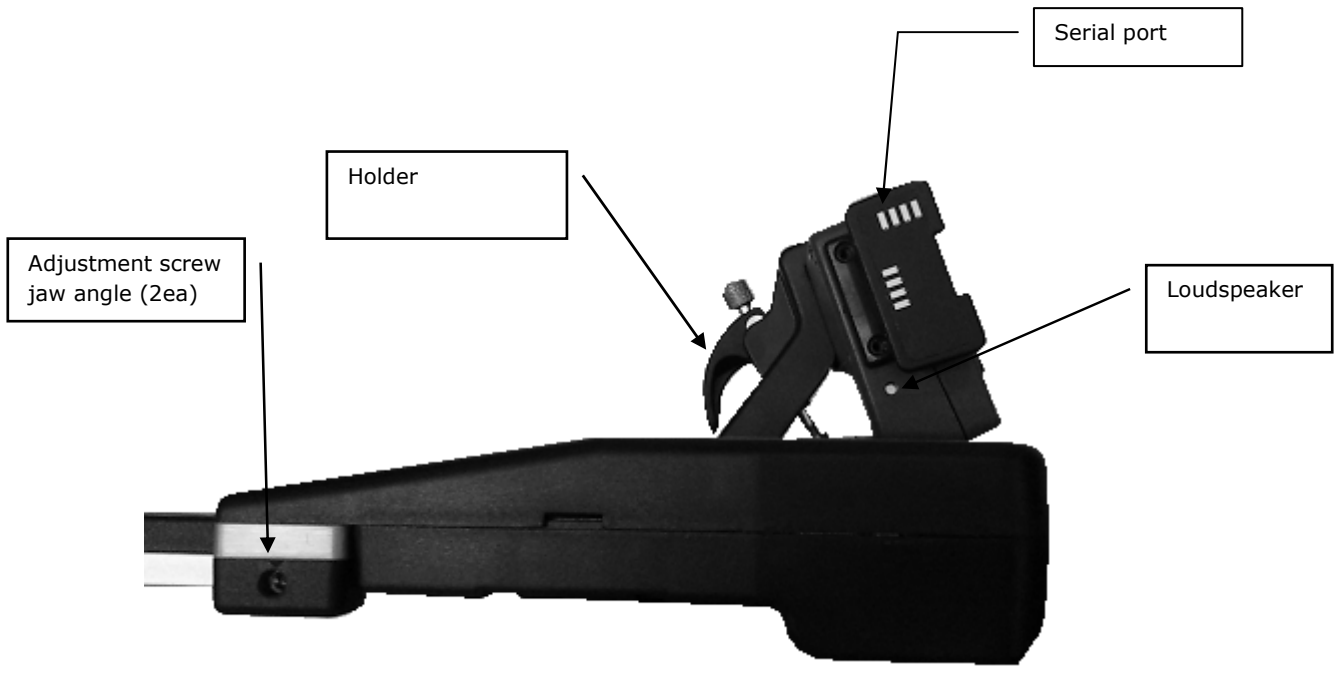
DP II Smart Scale and DP Radio Button



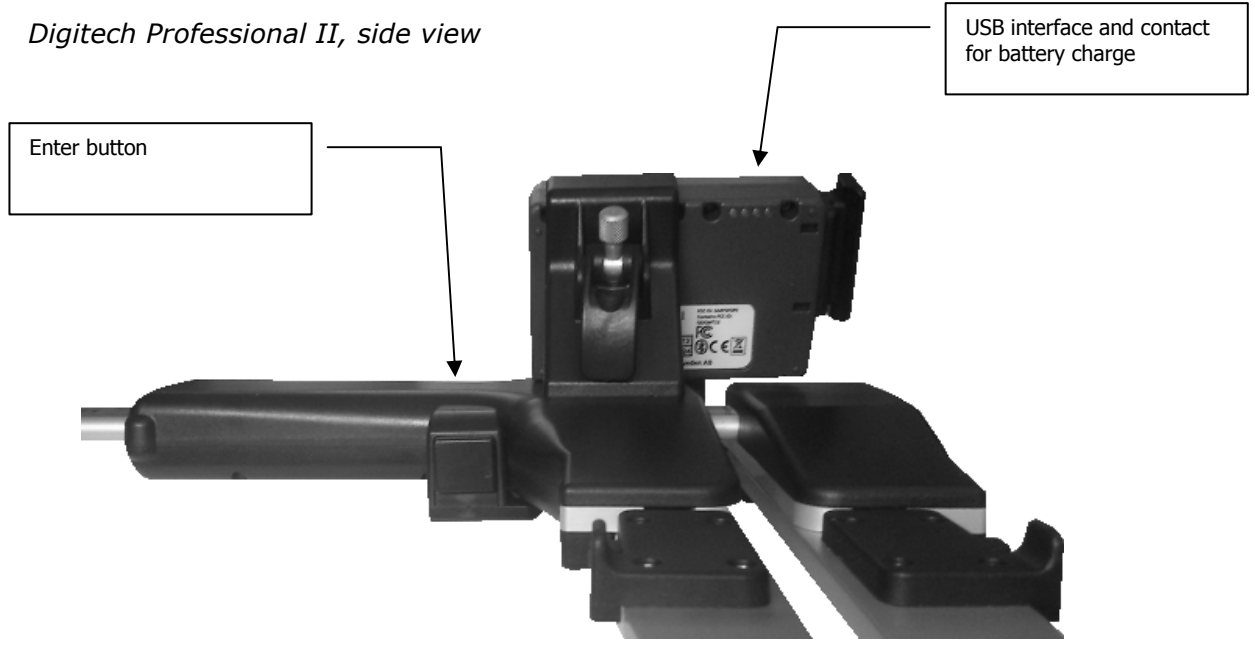
Digitech Professional II, front view



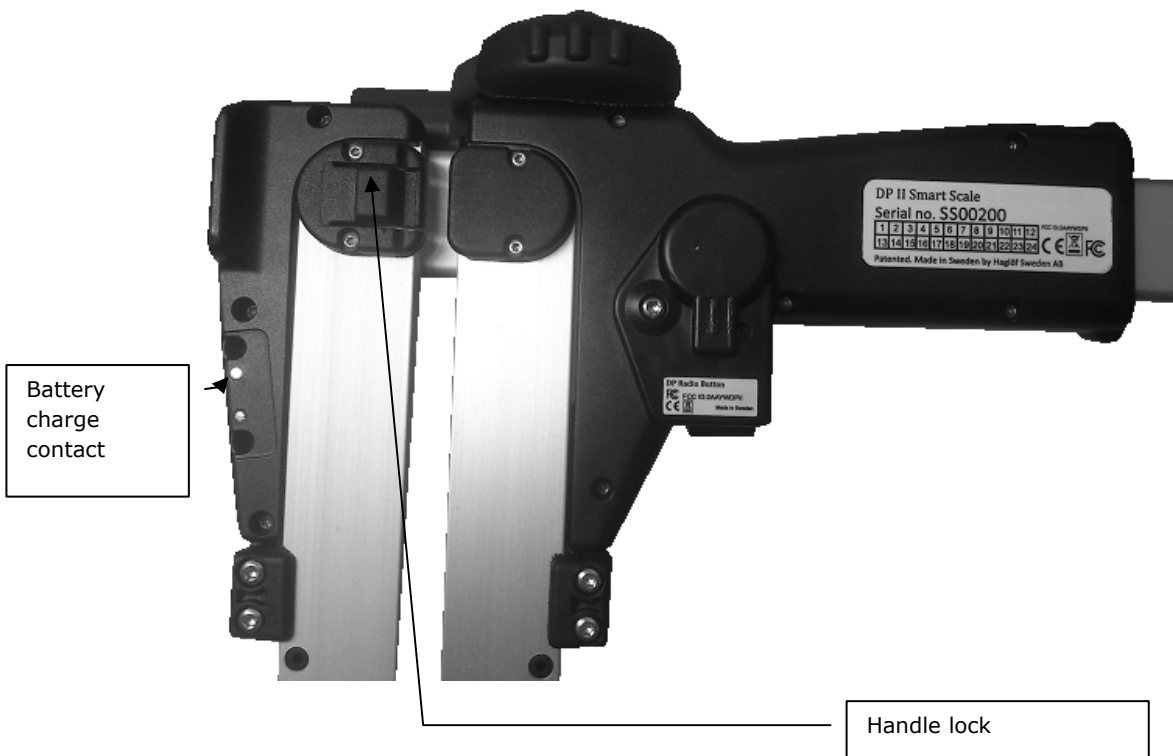
Digitech Professional II, upper view



Digitech Professional II, side view

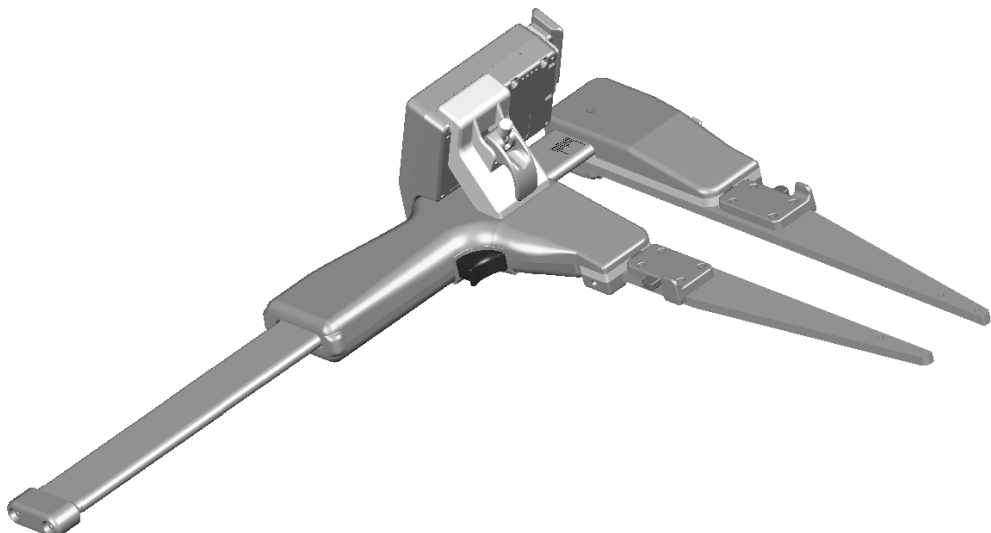
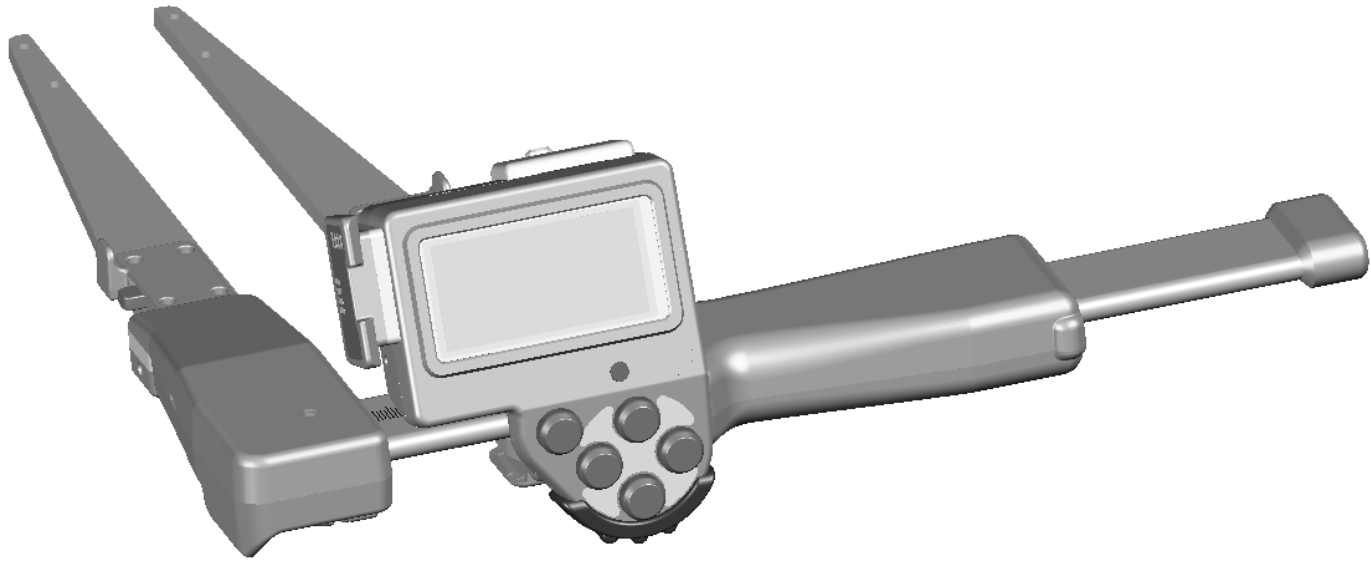


Digitech Professional II, backside view



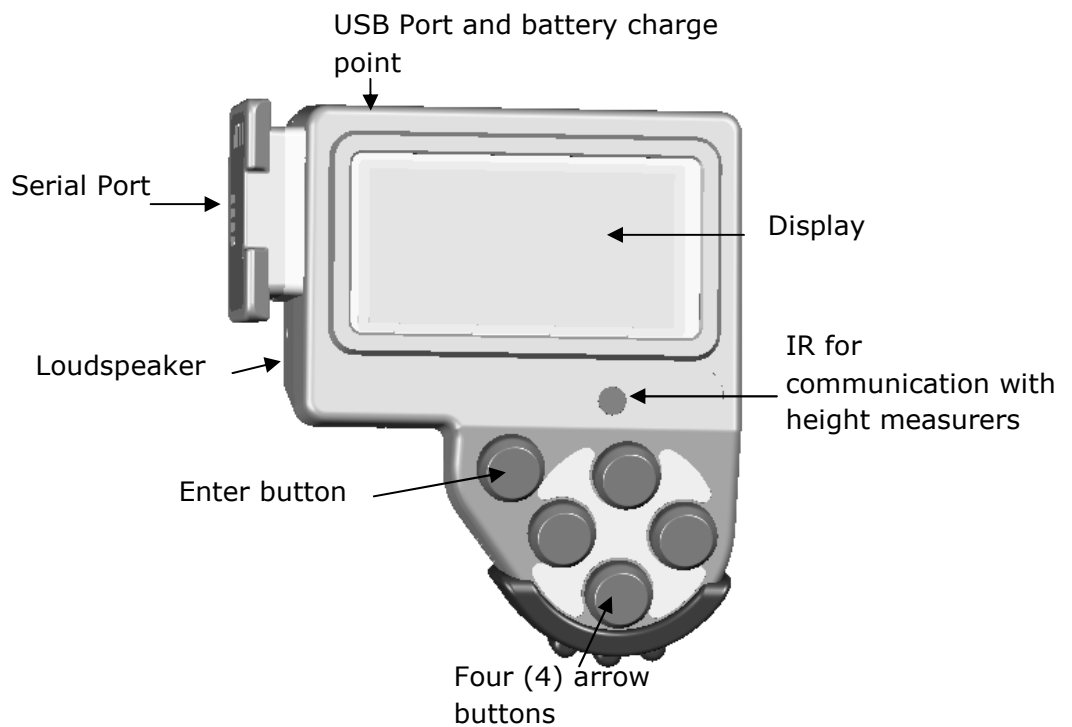
Digitech Professional II, backside view from under

System Description DP II



Computer Terminal

The DP II computer terminal includes the necessary interfaces to work with the system, such as the high visibility display, the 5 button keypad, the USB port, the serial port, loudspeaker, Bluetooth® and radio communication. Data is stored in the computer terminal built-in industrial SD card, high security and extra protected to sustain cold, heat and hard impacts.

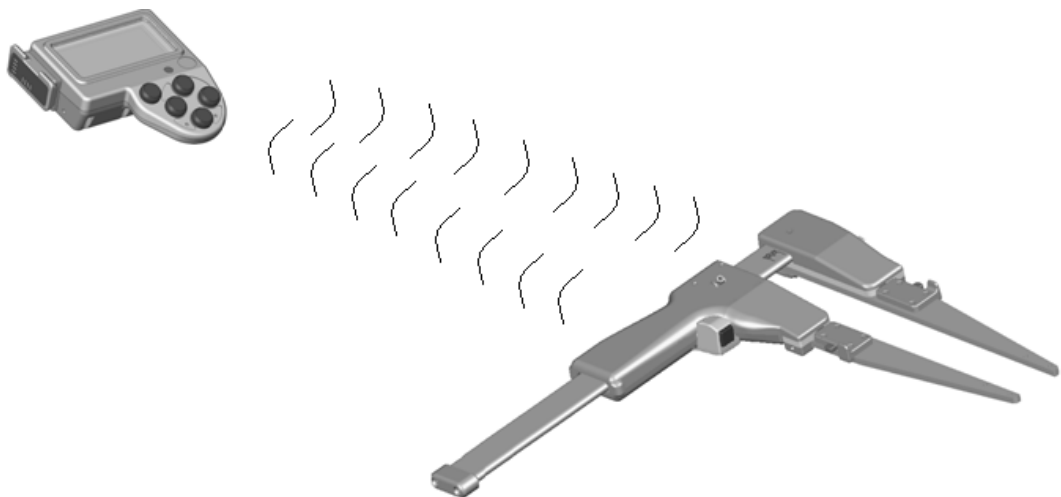


DP II Computer Terminal

Detachable Computer Terminal

The DP II Computer Terminal can, with a simple operation be detached from the movable handle and the DP II Smart Scale. This work mode is practical for example when transferring data to your office PC.

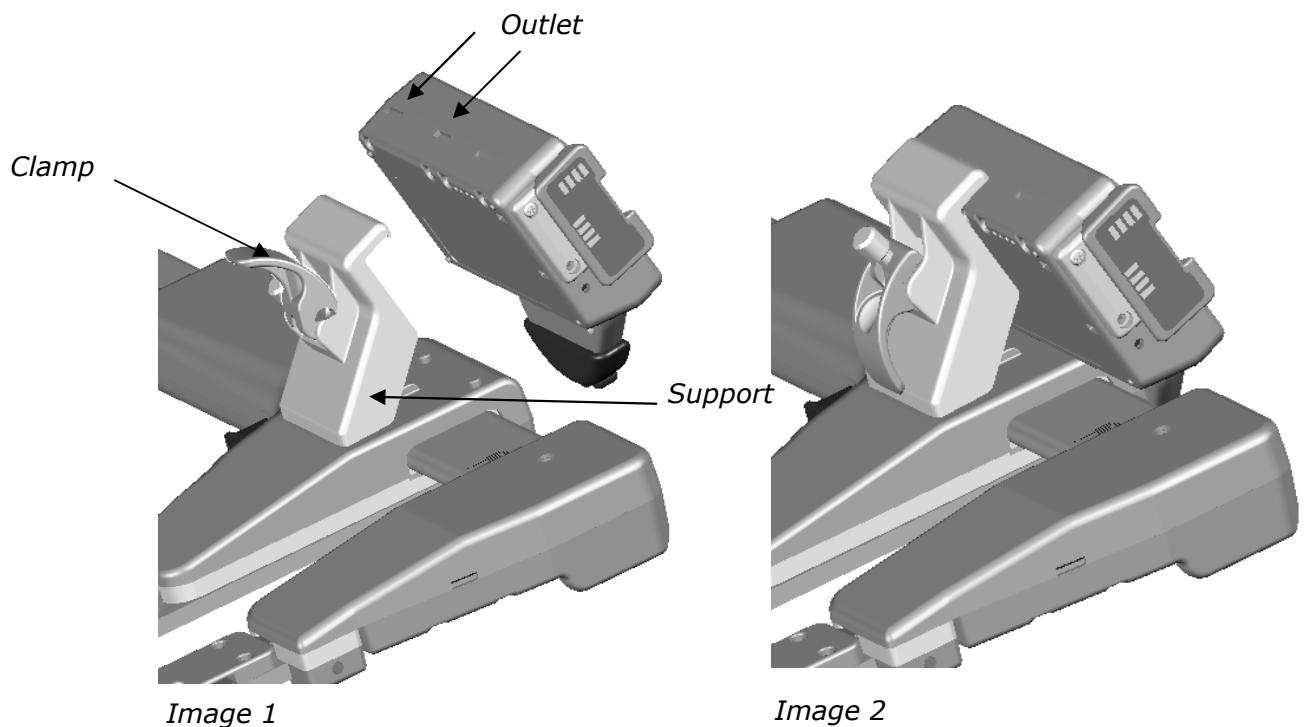
When performing a tree inventory in dense tree stands with thick and low branches, it can be difficult to reach the measuring point with a computer caliper. The DP II Computer Terminal can in such situations be detached from the scale and jaws, and placed inside your vest or jacket pocket, on your wrist with the wrist link accessory or at a distance from you. The DP II Smart Scale will in such cases look and work similar to a manual/mechanical caliper with its low weight and simple operation, but nevertheless carry all the advantages you would expect from a computer caliper. The computer terminal communicates wireless with the DP II Smart Scale measuring system on distances up to 10 meters.



DP II Smart Scale with DP Radio button

How to Assemble the Computer Terminal

1. Mount the support by attaching the two guide pins in the outlets on the upper part of the movable handle and fastening the locking screw firmly. Be careful not to screw too hard.
2. Make sure that the clamp on the handle is in raised position, see image 1 below.
3. Attach the computer terminal by engaging the supports in the outlets of the upper part of the terminal; continue by lifting the support with the terminal and tilt the lower part to the movable handle. Lower the computer terminal and lock it by folding the clamp.




How to Disassemble the Computer Terminal

1. Put the clamp to upright position.
2. Lift the computer terminal straight up and tilt the lower part of the terminal.

The Buttons on the Keyboard

The arrow buttons are used to navigate in the program and to enter data. By pressing two buttons at the same time, different functions can be activated, such as turn on backlit display, shut off computer terminal and more.

| | | |
|------------------|---|------------|
| Back lit display |  | Up+right |
| Turn-off |  | Up+left |
| Escape |  | Down+left |
| Vertex IR |  | Down+right |

Example Multi Function Button

Use **Escape** to step out of a menu or to interrupt an ongoing Kermit communication. Press both buttons simultaneously according to the image.

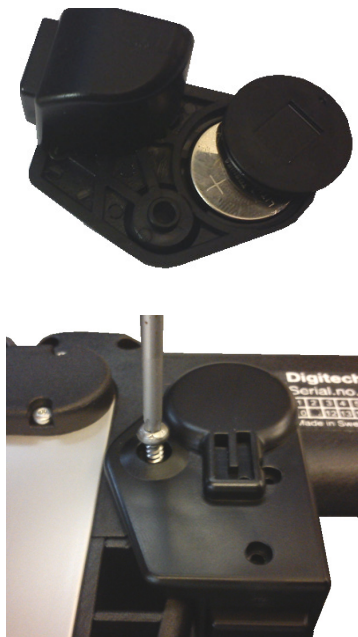


DP Radio Button

Changing the Battery

The battery in the DP Radio button will last for approximately one year and depending on use. The DP Radio uses a CR2032 3V battery. To change the battery, follow these instructions:

1. Unscrew the screw (Torx T10) that attaches the DP Radio button on the handle.
2. Remove the DP Radio button from the handle. Remove the battery lid by pulling it straight up. Remove the battery.
3. Replace the old battery with a new battery. – inside, + toward battery lid. Press the lid into position.
4. Attach the DP Radio on the handle with the screw.
5. Always dispose of old batteries in special battery containers!



Synchronizing the DP Radio Enter Button

The DP Radio is synchronized with the computer terminal. When assembling a new DP Radio Button, the synchronization needs to be made as follows:

1. Disassemble the DP Radio Button and battery according to point 1 and 2 above.
2. Press 5-6 times on the DP Radio Button to empty it completely.
3. Assemble the battery with – to the inside and + to the battery lid.
4. Press to put the battery lid in place.
5. Start menu "Radio" in the computer terminal. **System menu/Settings/Radio/SYNC.BUTTON".**
6. When the menu is running, press one (1) time on the DP Radio Button and the message **Press DPRadio button** is shown.
7. Repeat point 1-6 if the procedure failed.
8. Assemble the DP Radio Button on the handle with the screw.

Turn off/on the DP Radio Function

The Radio function in the computer terminal can be turned off when the DP Radio Button is not in use to save battery. Select **"System menu/Settings/Radio/Enter OFF"** and press ENTER to turn off the function. The Menu text will change to: **"System menu/Settings/Radio/Enter ON"**.




Synchronization with the DP II Smart Scale

The computer terminal needs to be synchronized with the DP II Smart Scale measuring scale, to connect the radio units. Functions for connection are available in the system menu. Note that the synchronization is made on an open channel. Avoid having other DP II Smart Scale units close by (<10m) since this may interrupt the synchronization.





1. Reset the DP II by simultaneously pressing all five buttons for a short while. The DP II resets and restarts.
2. Set the DP II Smart Scale at 25 cm.
3. Activate the menu **System menu/Settings/Radio/Sync.Scale** in the DP II computer terminal.

Display

The graphic black and white display uses 128x64 pixels. A quick button function allows for backlit display, where the light will be ON for approx. 30 seconds after a button is pressed. Repeat the quick button presses to turn off the function. The caliper will consume more energy with the backlit display function activated. At the right side in the display there are symbols/icons that indicate the following information:

-  Bluetooth communication on
-  Backlit display on
-  Tension on in the USB interface

Battery Indicator

-  Flashing = charging
-  Poor battery 3.00-3.30V
-  Normal battery 3.30-3.50V
-  Good battery 3.50-4.20V

Charging the Computer Terminal

The DP II Smart Scale and the DP II terminal use rechargeable Li-ion batteries. Fully charged batteries last for approximately one week depending on application used. The batteries are charged with 5V through the USB connections with the USB adapter and a mini USB-cable that can be connected to a PC, a USB car charger or an external USB charger.

Normal charging time is 3-4 hours, depending on temperature and other. The computer terminal will charge quicker if put in "USB mode". In other cases the charging time can exceed 4 hours. USB mode will (in normal cases) automatically be active, provided that your terminal software allows it.

Note that the DP II Smart Scale needs to be charged as well; see separate chapter on the DP II Smart Scale.



Mini USB cable



*AC/DC USB
charger*



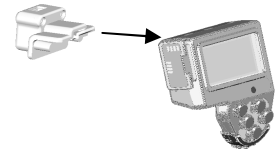
*USB car
charger*



Simultaneous charging of terminal and Smart Scale

How to Charge

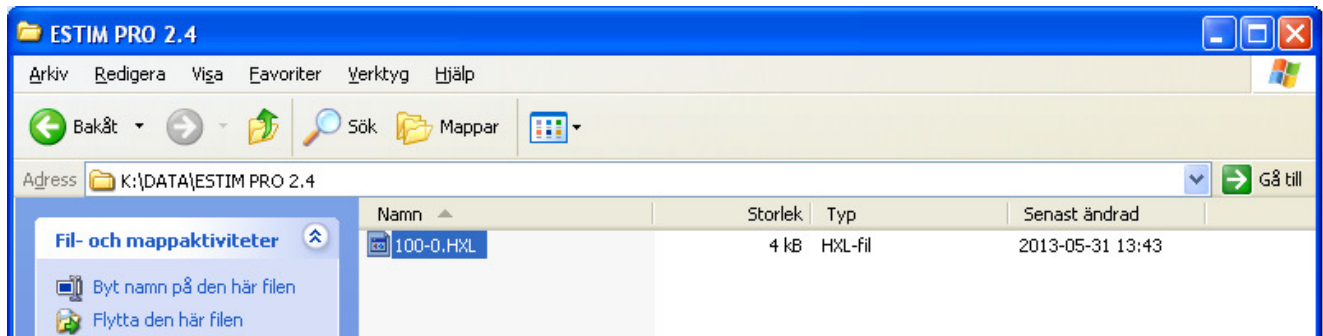
1. Place the USB cable (Mini-B) on the DP II USB adapter.
2. Place the opposite end (Type A) in a USB connection in your PC or in a USB charger.
3. Connect the DP II USB adapter with the USB cable on the computer terminal.
4. USB mode allows for quicker charging process. In normal cases the terminal software will automatically go to USB mode. The image shows the display when the terminal is in USB mode.



Simultaneous charge of computer terminal and Smart Scale


PC Communication

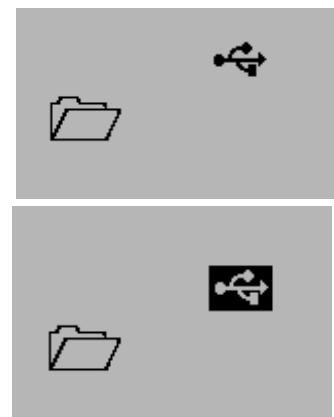
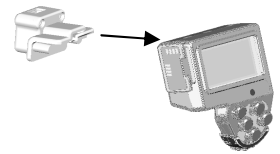
Transfer your programs and data using your regular file explorer. No specific drivers or programs need to be installed. The computer terminal charges the battery also when the USB is connected to the PC.



Use your regular file explorer to transfer files

Connection to PC

1. Place a USB cable (Mini-B) to the DP II USB adapter. 
2. Place the opposite end (Type A) in a USB connection in the PC.
3. Connect the DP II USB adapter with the USB cable on the terminal.
4. Go to USB mode in the terminal. In normal cases, the software you are using in the terminal will automatically go to this mode. The image shows the terminal display in USB mode. You can also choose to go to USB mode after a reset (reset is made by pressing all five buttons on the terminal at the same time) and use the arrow keys to go to the USB menu and press Enter.
5. When your PC operating system is connected, the USB icon in the display will turn black. Your computer terminal is now working as a regular USB memory stick.
6. Your regular PC file explorer can now be used to copy, move or delete files in the terminal. The data files are usually located in the directory \\DATA, and program for the caliper in directory \\PRG.
7. Finish the session by pressing Escape in the computer terminal.
8. Remove the USB adapter by releasing the stop and pull the USB adapter backwards.



BLUETOOTH®

With Bluetooth technology you can work with wireless communication to the Internet or to other electronic instruments with Bluetooth. Energy consumption is comparably low. Bluetooth® is built-in the computer terminal for communication to external devices such as GPS, scanners and printers. The terminal supports Master- and Slave mode.

Master

Master mode is most common to use, and set under menu SETTINGS/Com Port/Bluetooth. When in Master mode, the computer terminal determines which external device to communicate with.

Look for other devices

Before Bluetooth communication starts, the computer terminal will look for nearby Bluetooth devices. Any found devices are shown in a list, where the user selects which device to connect to. A code is usually stated that will be used as a key for coming connections. For the code key to the external device, please turn to the corresponding manual. The code key is often 1234, which is also the key used by the computer terminal when in Slave mode.


Pair (BONDING)

The computer terminal will use the last connected device for coming connections. If using other device, delete the last used device in the menu SETTINGS/Com Port/Bluetooth/Reset to initiate a new search. Note that the SETTINGS menu is usually reached in the application that is run in the computer terminal.

PC

There are many options for simple and inexpensive USB-adapters with Bluetooth®, enabling Bluetooth connection in your PC. The following examples show what a Bluetooth communication can look like. Connect your USB Bluetooth adapter in your PC and install the drivers according to instructions.

Example: Send File to the Computer Terminal with Bluetooth®

1. The computer terminal: Reset the terminal by pressing all five (5) buttons simultaneously.
2. Select Bluetooth in the computer terminal as your Com Port.
3. PC: Press to open the Bluetooth icon  and check for incoming ports. If there are no incoming ports, you will have to set one up. Note the COM port number when the port is set up.
4. PC: Start Hyperterminal in the PC.
(Program/Accessories/Communication/Hyperterminal)
5. PC: Select to use the Com port (see point 2).
6. Computer terminal: Select the FILE/Receive file menu. The terminal now starts looking for devices.
7. Computer terminal: Select your PC from the list and state the code, for example 1234.
8. PC: Click on the Bluetooth note that appeared on your PC screen and state code 1234.
9. PC: Select menu Transfer/Send file in Hyperterminal.
10. PC: Select file, for example Skalman6.DP2
11. PC: Select Protocol Kermit
12. PC: Select Send

The file is transferred to the caliper and the computer terminal will automatically disconnect the Bluetooth connection when ready.

Program

There are numerous software options for many different applications to the DP II. One or more programs can be downloaded to your caliper. In most cases you will need a valid software license. This license can be activated by the user. All programs for the DP II should have file extension **".DP2"**

Older programs

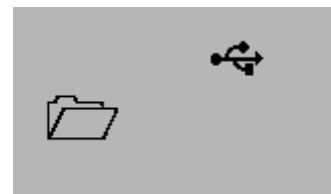
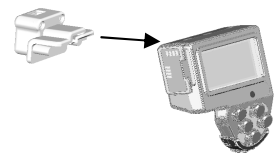
Programs developed for/ modified for previous (Haglöf Sweden®) caliper models are not suited for direct transfer or compatible for the DP II. Please contact you distributor for information on compatible programs for the DP II.

Updating programs

If you have a valid license to a DP II program, this license is "inherited" by the next program when upgrading, and uses the same product code. Delete older program versions after a new version has been started to reuse licenses.

Transfer programs to the DP II

1. Reset the DP II by giving a short press on all five (5) buttons on the terminal at the same time. The DP II resets.
2. Put the USB cable (Mini-B) in the DP II USB adapter.
3. Put the other end (Type A) in the PC USB port.
4. Connect the DP II USB adapter with the USB cable on the computer terminal.
5. Go to USB mode by navigating with the arrow keys to the USB menu and press Enter.
9. When the PC operating system is connected the USB icon in the display will turn black. The computer terminal now works as a common USB memory.
10. Start the PC file explorer and copy this or copy the software options that are to be used in the DP II to file "\PRG".
11. Disconnect the PC by pressing Escape in the DP II.
12. Remove the USB adapter by releasing the stop and pulling the USB adapter backwards.
13. Program files that have been copied to the DP II are now available in the menu "SELECT PROGRAM". In normal cases the program should be activated with a license key before running it, see next page.



Activate the program license

The license key can be obtained from your Haglöf Sweden DP II distributor. If you do not have a license key, note the DP II serial number (SerNo) and product code (PROD) before contacting your distributor.

To activate the license, select menu "SELECT PROGRAM" and press ENTER. Use arrow button up- or down to select the application and press ENTER.

Select menu "Open file" followed by "LICENSE" and press ENTER.

State your code with the up- and down arrow buttons to increase or decrease the value of digit above cursor. Use the left- and right button to move cursor to next position. Store the code with ENTER.

When upgrading a program with identical product code you will not need to state the license key, provided that the licensed program has not been deleted from the computer terminal.

Starting a new program

A new program is started by selecting the menu "Reset" (usually placed as a sub menu under "SETTINGS"). After a reset, the DP II will display a list of downloaded programs. Select one of the alternatives and press ENTER. Go to "START" menu to start the program.

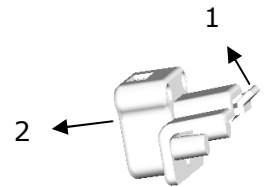
A program can also be started with a caliper reset (press all five (5) buttons at the same time). Select menu "SELECT PROGRAM".

The program that was last used will start in the start menu.

Upgrading the BIOS

BIOS is the program that handles all hardware in the caliper. The BIOS needs to be upgraded on occasion as follows:

1. Reset the DP II by giving a short press on all five (5) buttons at the same time on the terminal. The DP II resets.
2. Navigate to the "USB" menu with right arrow button.
3. Press Enter.
4. Connect the USB adapter to the DP II and the USB cable to the USB adapter and PC.
5. The PC operating system will initiate connection to the DP II. The DP II now functions as a USB memory stick (MSD device)
6. Start the PC file explorer and copy the new Bios file (ex. "DP2 V2.0.DPB") to the root directory. In the root directory you also need to have the file "BiosLoadV10.DPL".
7. Disconnect the PC with Escape in the DP II.
8. Remove the USB adapter by releasing the stop (1) and pulling the USB adapter backwards (2).
9. Reset the DP II with a short press on all five (5) buttons at the same time. The DP II restarts and updates the Bios.



Angle Measuring

The computer terminal contains an inclinometer that can be used to measure angles and to calculate heights. The Gator Eyes laser pointers accessories are recommended to use as aim. The Gator Eyes are factory assembled on the caliper jaws (specify on order!) and consist of two potent green laser pointers that are visible on long range and can be used to measure diameters from a distance and or as aiming guides when measuring angles and heights. Remember that the use of laser pointers can be restricted in your area! Always treat and use laser pointers with care and consideration. Always check local restrictions and guidelines before using green laser! For information and instructions for the Gator Eyes, see separate user guide and product sheets.

Calibrating the inclinometer

The clinometer is calibrated on delivery but may need fine adjustment according to below procedure:

1. Go to **"SYSTEM MENU/SETTINGS/ANGLE/CAL XYZ"**
2. Place the computer terminal on a flat surface (a table) with the display facing up. Press Enter when the text "1:FLAT" appears.
3. Rotate the terminal clockwise/anti clockwise half a turn and press Enter when the text "2:Turn Flat" appears.
4. Turn the terminal upside down. The label on the back should now be in front of you. Press Enter.

Calibrate the zero angle (0)

For calipers with factory assembled Gator Eyes. Go to **"SYSTEM MENU/SETTINGS/ANGLE/ZERO"**

1. Put a visible mark on a wall, for example the height of your chin.
2. Walk 10m-30m from the wall and point with the Gator Eyes, the point on the firm jaw on the mark with the caliper held at the height of your chin. Press Enter to store this 0-angle.
3. Control measure this 0-angle.

System menus

RESET

The operating system is started with a reset that can be forced by pressing all five (5) buttons simultaneously. Several functions in the operating system are reached from below menu system.

LANGUAGES

Several menus and commands in the system menu are translated to different languages. Select the language menu and set your preferred language with ENTER. Check time and date settings in the terminal settings.

START

Start the last used application and press ENTER to execute the application. A license number should normally be stated before starting to use an application. You can run an application for five (5) days as trial before stating a license number. This number can be purchased from your DP II distributor and stated in the following menu, SELECT PROGRAM.

SELECT PROGRAM

Use the SELECT PROGRAM menu to select application. Press arrow button up- or down to select, followed by ENTER. To start the application, select START and press ENTER. INFO contains information on licenses and date for download of program.

Delete all

Use the "Delete all" if you wish to delete all downloaded applications. Individual applications can be deleted through menu SELECT PROGRAM. Select which application to delete.

LICENSE

A license key will be obtained from your Haglöf Sweden DP II distributor. If you do not have a license key, note the serial number SerNo and PROD before contacting your distributor. To activate the license, select menu SELECT PROGRAM and press ENTER. Use the up- or down button to select the application and press ENTER. Select LICENSE and press ENTER. State your code with the up- or down buttons to increase/decrease the value of cursor. Use the left- and right button to move cursor to next position. Store the code with ENTER.

Delete program

To delete a program in the computer terminal select menu SELECT PROGRAM in the system menu and press ENTER. Use the up- or down button to select application and press ENTER. Select DELETE and press ENTER.

Files

The operating system provides a menu where all files that have been created and stored can be deleted or transferred to PC or other external terminal. Files can contain data from applications. Before deleting a file or formatting the flash disc, make sure that no important data is left in the files. Files can normally be deleted straight from an application without the need to activate the system menu.

File explorer menu

1. Reset the computer terminal by pressing all five (5) buttons at the same time.
2. Press ENTER to go to the SYSTEM MENU.
3. Select the FILE menu.

File list

All saved files are listed (up to 200ea). Individual files can be selected and handled in the following menu system.

The selection "Delete all" deletes all data files in the directory "\DATA".

OPEN FILE

The menu can be used in the application that is run to for example open a file with data.

Send

Send a file with Bluetooth (Ftp/obex) to cell phone or other device. The computer terminal has to be connected to the receiving device, see the chapter on Bluetooth.

INFO

Information on selected files is shown, for example how many bytes the file contains and when it was created.

KERMIT

The Kermit protocol can send the file with a cable (serial) or with Bluetooth (Serial profile) to PC or other handheld.

DELETE

The file can be deleted.

USB

Activate the USB mode. In USB mode, the computer terminal is ready to be connected to PC via USB cable and to be handled as a USB memory stick. Files can be copied, deleted, created etc. with the regular file explorer in the PC. Quick battery charge of terminal is also activated in USB mode.

Information

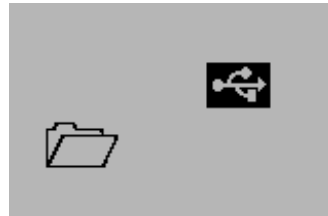
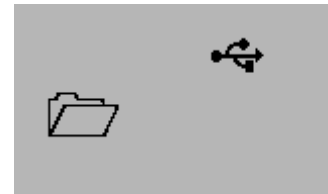
Information on the Flash disc, such as available space on the internal flash disc is displayed.

Receive file

Use Kermit to send files from PC or other caliper to the computer terminal.

FORMAT C:>

The flash disc can be zero set by formatting it. All stored data and programs are deleted.



Settings

There are different settings that need to be considered in the system menu depending on software used in the DP II.

Serial port

Bluetooth®

The Bluetooth is a built-in wireless communication port. Set as Master when the computer terminal is to initiate communication and connection to external devices. Slave mode is used when external devices need to connect to the computer terminal. Use Reset to delete the information on last used connection. Pair (bonding) is used to connect devices to the DP II.

Com cable

Regular serial port where a straight modem cable is used. Also setting for baud rate. (1200...115200kbs)

Language

Set system language.

Contrast

Set display contrast (0..63). Normal value is 32.

CLOCK

Set the built-in clock. If terminal has been without battery power, the clock needs to be reset. Start with setting the year with right- or left button and step one (1) step = year at a time. Use up- or down to step with ten (10) years at a time. Accept with ENTER. Continue with month, date, hour, minutes and seconds in the same way.

Calibrate

Calibration of DP II Smart Scale, see page 29.

Test Menu

Most menus under TEST MENU are used for service and error detection and not by DP II users.

Scale

Test for scale calibration and radio contact between the DP II Smart Scale and the computer terminal.

Long timer 600

Test of the internal timer, 600ms.

No timer

Test mode for built-in electronics.

Read Time

Display clock in the display.

AD-channels

Test mode for built-in electronics. First line in display shows temperature of built-in battery when charging. Battery temperature is constantly monitored and charging will be interrupted if the temperature goes below 0°C/32F or exceeds 45°C/113F. The second line shows the battery tension (3.00-4.50V).

Backlight

Turn on/off of display backlight.

Charger info

Testmode for built-in electronics.

Flashdisc c:>

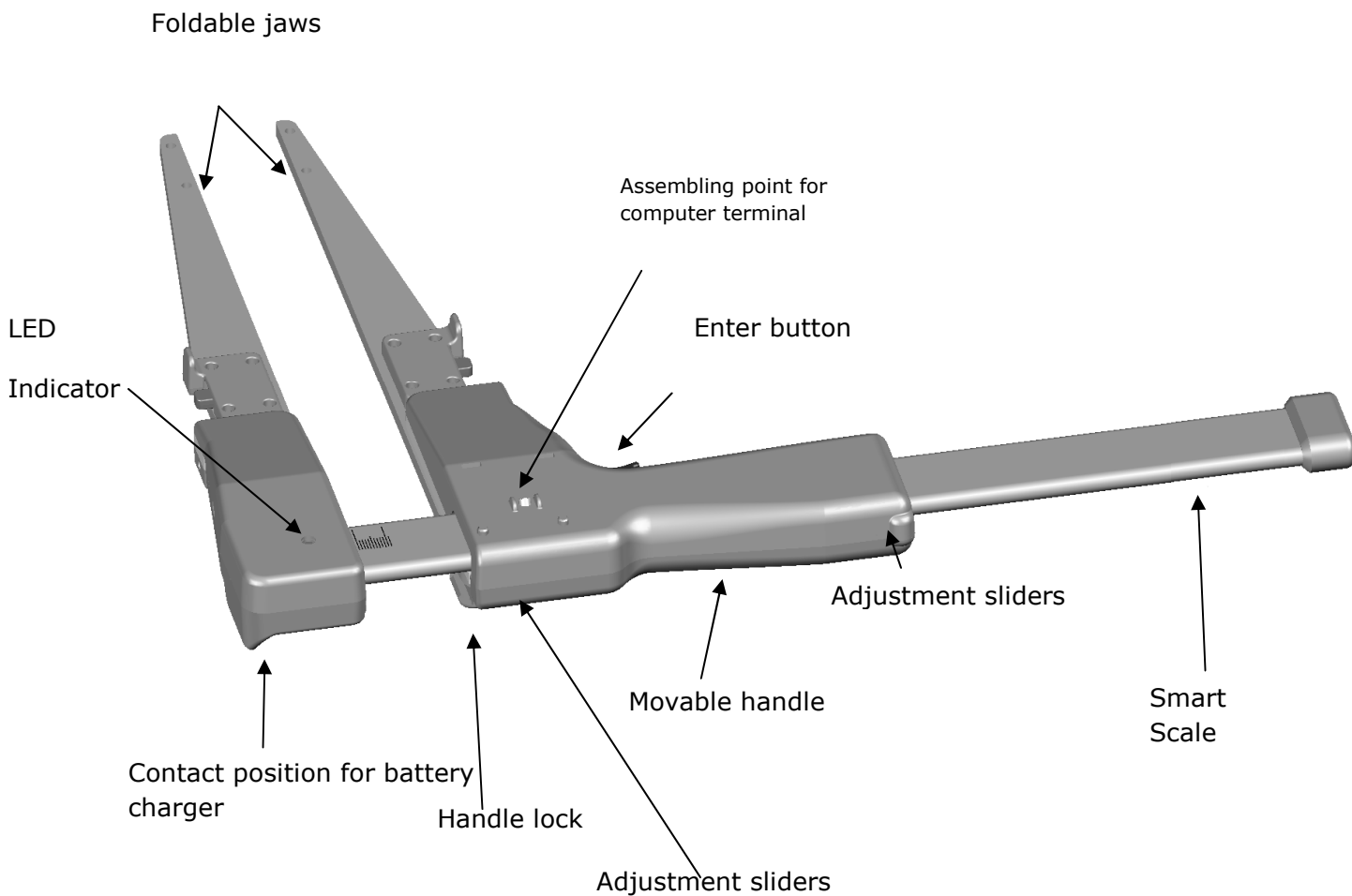
Shows information on what type of flashdisc is being used.

Blue terminal

Terminal mode directly to built-in Bluetooth.

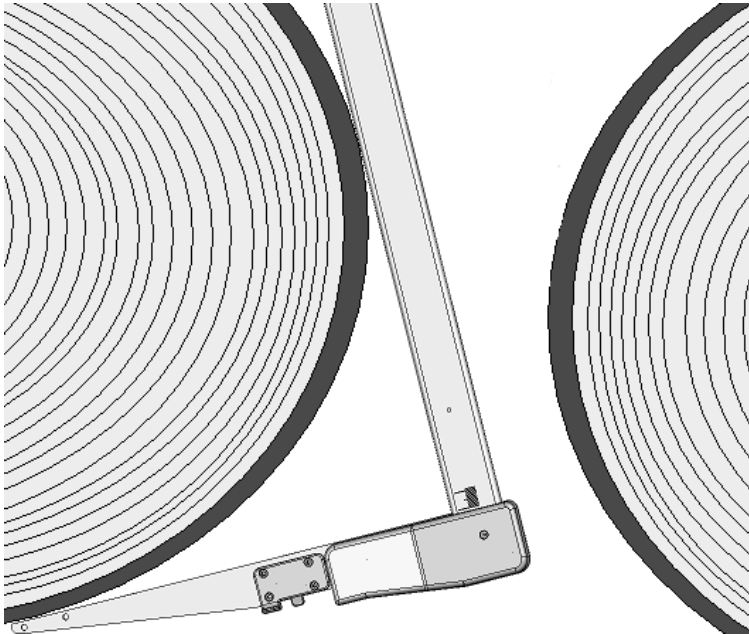
DP II Smart Scale

The DP II Smart Scale is the DP II measuring scale and jaws. The DP II Smart Scale contains the measuring system, a battery and radio transmitter. The radio uses the ISM band on 2.4GHz. The DP II Smart Scale is synchronized with the computer terminal and can after synchronization exclusively send data to this specific terminal. If either of these units (the DP II Smart Scale or the DP II Computer Terminal) are changed, a new synchronization has to be performed, see chapter Computer Terminal. The DP II Smart Scale is available in the following lengths: 500mm, 600mm, 800mm, 900mm, 1000mm, 18", 24", 36", 40"

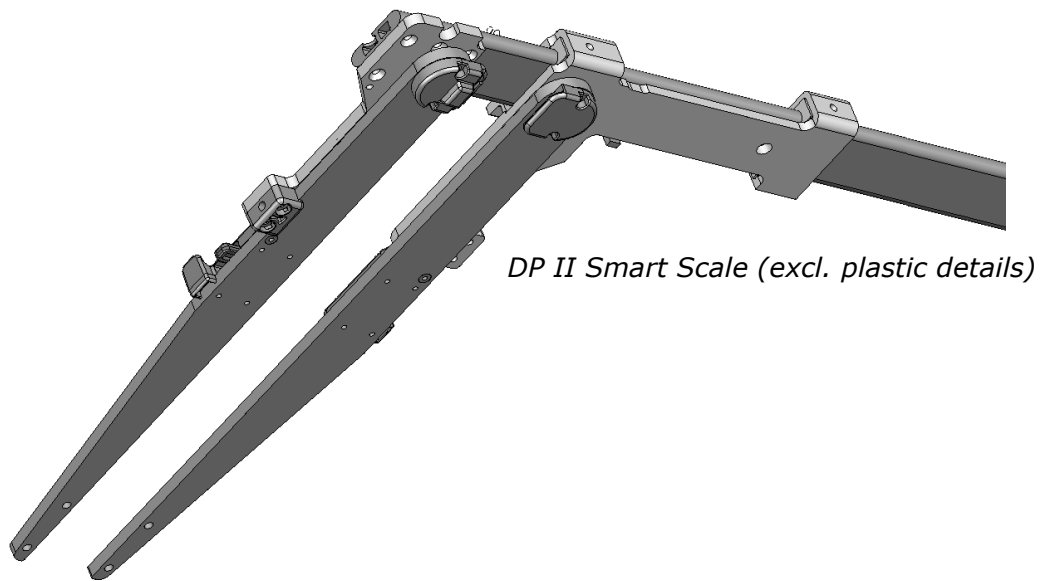


Unique jaw design

The DP II jaws are adjusted for smooth operation when measuring timber in piles and when working in narrow spaces. The firm jaw on the DP II Smart Scale has a special design that allows it to glide in between and under logs.

**Robust Design**

Exact measurements can be performed thanks to the extra robust design and a strong, well balanced and light weight metal chassis in aluminum.



Rechargeable Batteries - Environmental Concern

Both the DP II Smart Scale measuring system and the computer terminal in the DP II uses rechargeable Li-ion batteries. Fully charged, the batteries will last for approximately one week depending on which application is used. The batteries are charged through the USB ports with the USB adapter and a mini USB cable that can be connected to a PC or to an external USB charger.

Charging the DP II Smart Scale

Connect the DP II USB adapter with the mini USB cable and USB charger, PC or USB car charger to the DP II Smart Scale according to the image. The charging time is approximately 3 hours.

A LED indicator lights up when charging the DP II Smart Scale. When the LED light blinks, it is time to charge the battery. The indicator goes out when the battery is fully charged.

The computer terminal will warn when measuring if the DP II Smart Scale has too low battery capacity.



Mini USB Cable



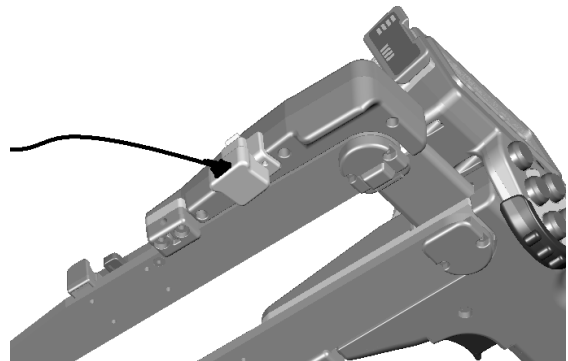
*AC/DC USB
Charger*



*USB Car
Charger*



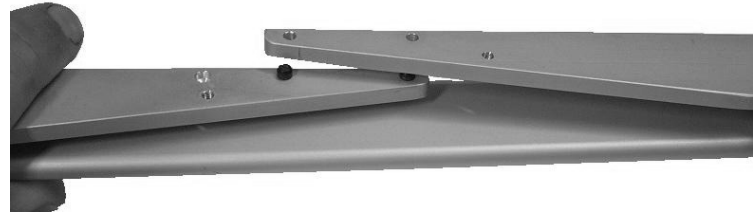
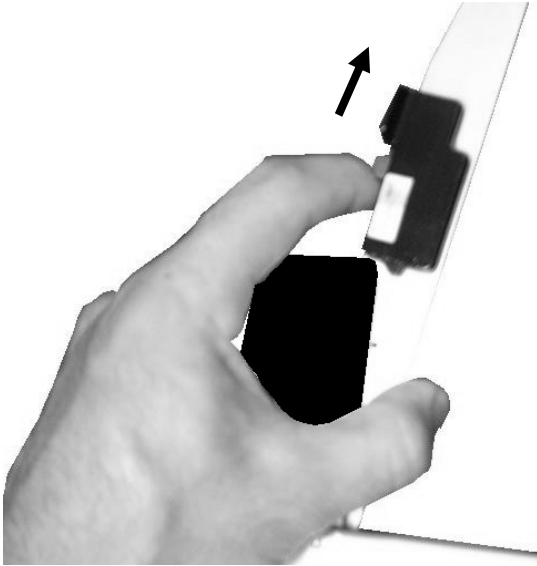
*DP II USB
adapter*



*Battery charging of the DP II Smart
Scale*

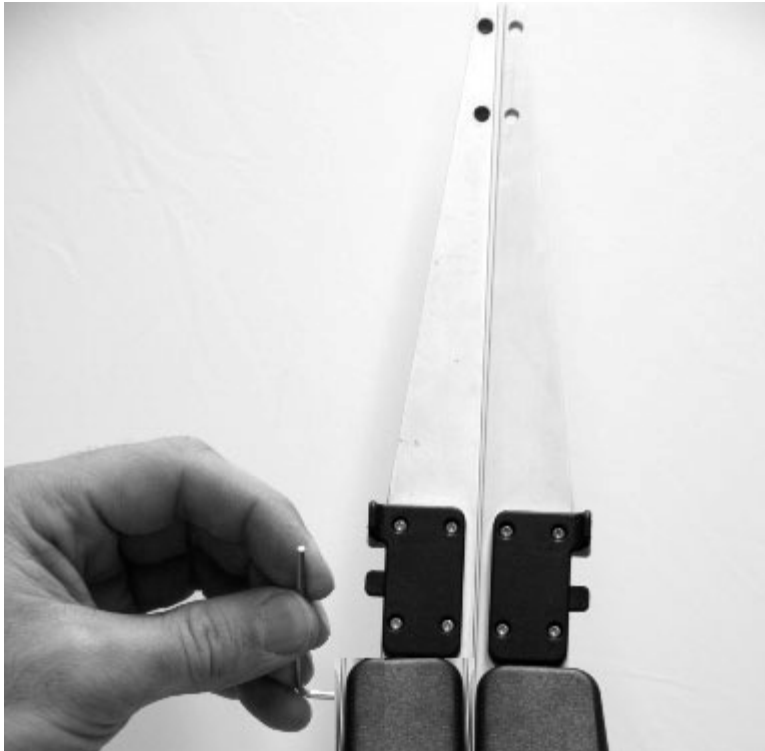
Foldable Jaws

The measuring scale has foldable jaws that can be locked in position. To fold a jaw, push the lock up and fold the jaw according to the image below. Move the handle to the side as far as possible. Both jaws are locked in position and to each other along the scale.



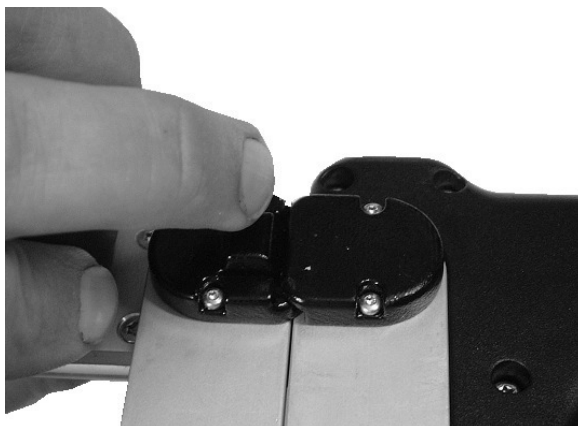
How to adjust jaws angle

The DP II Smart Scale angle of the jaws may need to be adjusted after some time of use. The right and left jaw are adjusted with a 2 mm Allen Key according to the image below.



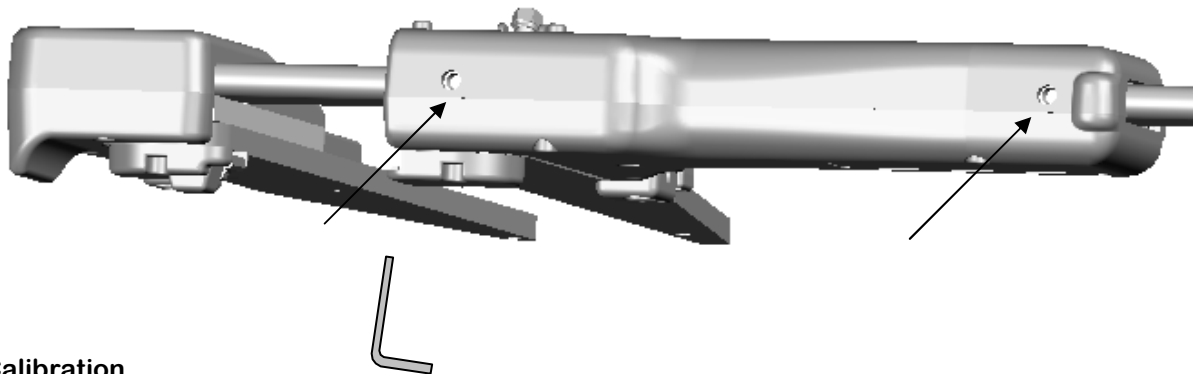
Handle lock

The movable handle on the scale can be locked if moved toward the computer terminal. This is practical when carrying the caliper in the handle and in other transport situations. To unlock the handle, press the small button-like part on one of the jaws on the underside of the caliper, and at the same time gently press the handle to the side. The locking function (one or both locks) can be removed if preferred.



Adjusting the Handle

Use a 2mm Allen Key to adjust the run of the handle. The handle has built-in sliders to avoid it running too easy.



Calibration

The DP II Smart Scale will normally not need to be calibrated. Make it a habit, however, to check the displayed diameter to be identical to the scale featured diameter measure (or calibration guide). If there are divergences, (+-1mm) the DP II Smart Scale needs to be calibrated.

Preferably use a calibration guide as described below:

Go to SETTINGS menu and then to CALIBRATION.

1. Place the movable jaw at 0 cm and press ENTER
2. Place the movable jaw at 500 mm and press ENTER. The caliper is calibrated.

If the calibration failed, check the following:

Error code -1: Hardware error. Try recalibrating.

Error code -2: Not correctly calibrated. Recalibrate.

Error code -3: Measuring System disturbances. Try recalibrating.

Error code -4: No radio contact. Try to redo the synchronization between the DP II Smart Scale and the Computer Terminal process.



A calibration guide is used to control the measuring scale (art no 16-102-1007). If you cannot access a calibration guide, use the scale print.

Control that the displayed diameter value is consistent with the value shown on the guide and/or the printed scale. Control at several points, 0 mm, 50 mm, 150 mm etc. For divergences of >1mm, the DP II Smart Scale should be calibrated.

Controlling the DP II Smart Scale

Controls of the Smart Scale is made in the application used, or in the menu SETTINGS/TESTS and Scale.

Maintenance

When cleaning the plastic housing, it is recommended to use a dry or lightly moist piece of cotton cloth to remove dust and dirt. Do not use a brush on the display, since it may scratch the surface. Use a clean piece of cloth and carefully wipe the display clean. Do not use chemicals or cleansing liquids since this may damage the housing. To clean the aluminum scale, use a clean and dry cotton cloth and, if necessary, some mild detergent. For paint stains and resin, a small amount of pure alcohol can be used on the cloth to carefully wipe off the stain.

Technical Specification

- Memory capacity: 1GB Flash File System. Non-volatile, high data security
- 1Mb high-speed RAM
- Processor: Low Power 32 bit Arm Based Processor
- Display: Graphical black-white, 128x64 pixels graphic Interface
- Light: YES. Improved visibility in poor light conditions
- Keyboard: Enter/Execution button, four (4) arrow buttons. Quick buttons (light, turn-off, Escape, Vertex input)
- Signal: Built-in loud speaker
- Communication: USB 2.0 MSD (Mass storage device), Bluetooth® (SPP, OPP), External serial port via adapter, USB (CDC) via adapter.
- Built-in IR Vertex receiver
- Temperature: -20C... +60C / -4F...140F
- Clock: Clock with calendar and time
- Batteries: Rechargeable Li-ion battery. Charging through USB interface.
- Energy consumption >one week per charge depending on software application.
- Measuring range standard: 500mm/18"; 600mm/24"; 800mm/30"; 900mm/36"; 1000mm/40"
- Scale: DP II Smart Scale™ Aluminum, non reflecting, clear and durable graduation
- Measuring system: Non incremental, sealed
- Weight: 500mm - 890g/35.6oz, 600mm - 1000g/40oz, 800mm - 1110g/44.4oz
- Water resistance: IP67
- Angle accuracy: 0.4 degrees
- Angle resolution: 0.1 degrees

Packet Contents

The Digitech Professional packet will include different items as stated below. Length of the DP II Smart Scale is always stated at order (50cm, 65cm, 80cm, 95cm, 102cm, 18", 24", 30", 36")



DP II computer caliper with Remote Radio Enter button

1 ea DP II Smart Scale with DP Remote Radio Enter Button

1 ea DP II Computer Terminal

Storing and transport

1 ea Aluminum case



USB communication (and battery charge)

2 ea DP II USB adapter (1 ea if alt. E)

1 ea Mini B USB cable 0.5m

1 ea Mini B USB cable 2.0m



Battery charger

1 ea international AC/DC USB charger

1 ea car charger USB



Adjustment of jaws/sliders

1 ea 2mm Allen Key



Product and Safety Specifications

Regulatory compliance FCC statement



The United States Federal Communications Commission (in CFR 47 Part 15.105) has specified that the following notice be brought to the attention of the users of this product:

Note

This device, Digitech Professional II, FCC ID 2AAYWDPII, has been tested and found to comply with the limits for a Class A digital device, pursuant to part 15 of the FCC Rules. These limits are designed to provide reasonable protection against harmful interference when the equipment is operated in a commercial environment. This equipment generates, uses, and can radiate radio frequency energy and, if not installed and used in accordance with the instruction manual, may cause harmful interference to radio communications. Operation of this equipment in a residential area is likely to cause harmful interference in which case the user will be required to correct the interference at his own expense.

CAUTION

Pursuant to Part 15.21 of the FCC Rules, any changes or modifications to this product not expressly approved by Haglöf Sweden AB might cause harmful interference and void the FCC authorization to operate this product.

European compliance statement



Hereby, Haglöf Sweden AB declares that this equipment is in compliance with the essential requirements and other relevant provisions of EMC Directive 2004/108/EC and Low Voltage Directive 2006/95/EC.

Juridical information

Haglöf Sweden and its suppliers cannot warrant the performance or results when using the software or hardware, nor the documentation. No warranties or conditions are made; neither expressed nor implied, of merchantability, suitability or special fitness for any particular purpose. If software problems appear, please contact your programmer for support. Haglöf Sweden takes no responsibility for loss of income, time, or problems and delays due to problems in soft- or hardware of products. No ownership is included in the price when purchasing software from Haglöf Sweden AB, only user rights. The buyer is responsible to make back-up copy on any data gathered in the program.

Copyrights of all software made by Haglöf Sweden belong to Haglöf Sweden

One copy of the software may be installed on one single unit. This software can be upgraded. A storage device may also be installed for safety reasons. The safety copy can only be used if the original product for some reason has become invalid. A safety copy cannot be transferred to third party. If you have purchased a license pack for the software, the number of copies you have purchased may be installed according to what has been agreed upon and previously stated. Software should not be object to rent, lease or lending to third party. Components of the software may not be separated for use on more units than one since the software is licensed as one single product. Any lists and/or information of software or other products should be considered as brief descriptions and not as a complete guide to what may and may not be available.

For further details, refer to ORGALIME SW01, General Conditions for Computer Software, and Supplement to ORGALIME S 2000 *with the exception of clause 44*, or ORGALIME SE 94. For other details, refer to NPV 99, *Tillägg till NL 92 och NLM 94, Allmänna leveransbestämmelser avseende programvara*. Copyright Sveriges Verkstadsindustrier and EDEL 98, Svensk Programvaruindustri Licensavtal för programprodukter by Föreningen Svensk Programvaruindustri, SPI, and Elektronikindustriföreningen.

© Haglöf Sweden AB 2008-2013. All rights reserved

Haglöf Sweden AB, Box 28, 882 21 Långsele, Sweden. Phone: +46 620 255 80 Fax
+46 620 205 81

Email: info@haglofsweden.com www.haglofsweden.com

Haglöf Sweden®



Haglöf Sweden® AB is a family company with long experience from developing and manufacturing professional forest measuring instrument solutions. Our genuine know-how in workshop production together with high-tech electronic assembling and advanced software development offer a unique concept, and the markets most complete product range for professional forest measuring work. All our instruments and solutions - increment borers, mechanical calipers, thread meters, height- and distance measurers, solutions for positioning, computer calipers, software and complete system solutions are developed and produced in Sweden.

The Digitech Professional is the market leading computer caliper, used for forest inventory, log scaling, harvester calibration and more. Together with many unique accessories and great compatibility with other instruments, the Digitech Professional forms a complete measuring system for efficient field operations, versatile work and focus on user adaptation and ruggedness. With Digitech Professional accessories it is easy to add even more value to your investments, through their unique construction and adaptabilities.

Haglöf Sweden works with constant improvement. Our goal is to make your measuring work more efficient and with even more accurate results. Adaptability, compatibility and flexibility are some of the means to reach this goal. A large software library with hundreds of software solutions enables also completely new users a quick start. Communication with external devices such as the Haglöf Sweden Vertex and Vertex Laser with Bluetooth® and IR technology improves efficiency and reduces error sources.

Haglöf Sweden instruments are used within forestry industry, in construction work and planning, police and army, research in forestry and agriculture, archaeology, geology, geography, fish and wildlife, within the utility industry and power line control and many more working areas. We are proud of our products and constant product development.

More than 200 companies around the world distributors Haglöf Sweden products and can offer quick and professional service also in very remote locations. Check www.haglofsweden.com and contact us for more information!



Haglöf Sweden AB

Box 28, SE-882 21 Långsele, Sweden

Tel +46 620 255 80. Fax +46 620 205 81. www.haglofsweden.com