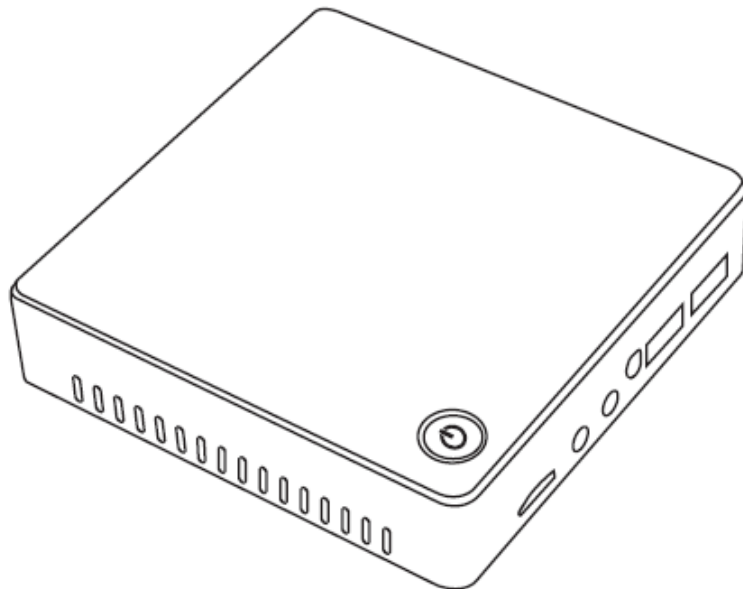




Quick Start Guide

Haier mini PC: HR-V03P



Version is 1.1

P/N: 8444020100100

Copyright ©2016 Haier Information Technology (Shenzhen) Co., Ltd. All Right Reserved.
Production and corporate names appearing in this manual may or may not be registered trademarks or copyright of their respective companies, and are used only for identification or explanation and to the owners' benefit, without intent to infringe.

Introduction

Thank you for choosing the Haier mini PC!

The Haier mini PC–HR–V03P is a personal computer with windows 10 and Intel's CPU. The mini PC supports 2GB of system memory using DDR3L–RS 1333, Intel HD graphics integrated. This guide serves to enable user to get to know and familiar with our product as soon as possible. Read and follow all instructions in the documentation before you operate your system.

Federal Communications Commission

Declaration of Conformity

This device complies with part 15 of the FCC Rules. Operation is subject to the following two conditions:

- (1) This device may not cause harmful interference, and
- (2) This device must accept any interference received, including interference that may cause undesired operation.

This equipment has been tested and found to comply with the limits for a Class B digital device, pursuant to Part 15 of the FCC Rules. These limits are designed to provide reasonable protection against harmful interference in a residential installation. This equipment generates, uses and can radiate radio frequency energy and, if not installed and used in accordance with manufacturer's instructions, may cause harmful

interference to radio communications. However, there is no guarantee that interference will not occur in a particular installation. If this equipment does cause harmful interference to radio or television reception, which can be determined by turning the equipment off and on, the user is encouraged to try to correct the interference by one or more of the following measures:

- Reorient or relocate the receiving antenna
- Increase the separation between the equipment and receiver.
- Connect the equipment to an outlet on a circuit different from that to which the receiver is connected.
- Consult the dealer or an experienced radio/TV technician for help.

Changes or modifications not expressly approved by the party responsible for compliance could void the user's authority to operate the equipment.

Disposal instructions

Do not throw this electronic device into the trash when discarding. To minimize pollution and ensure utmost protection of the global environment, please recycle. For more information on the Waste from Electrical and Electronics Equipment (WEEE) regulations.



Safe Information

- Do not attempt to service this product yourself, as opening or removing covers may expose you to dangerous voltage points or other risks. Refer all servicing to qualified service personnel.
- Do not expose the mini PC to direct sunlight. Do not place it near



sources of heat, such as a radiator.

- Do not expose the mini PC to temperature below 0°C or above 35°C.
- Do not subject the mini PC to magnetic fields.
- Do not expose the mini PC to Rain or moisture.
- Do not spill water or any liquid on the mini PC.
- Do not subject the mini PC to heavy shock or vibration.
- Do not expose the mini PC to dust or dirt.
- Never place objects on top of the computer.
- Your device and its enhancements may contain small parts. Keep them out of the reach of small children.
- Do not connect the adapter to any other device.
- When unplugging the adapter, do not pull on the cord itself but pull on the plug.
- Do not allow anything to rest on the power cord. Do not locate this product where people will walk on the cord.
- If an extension cord is used with this product, make sure that the total ampere rating of the equipment plugged into the extension cord does not exceed the extension cord ampere rating. Also, make sure that the total rating of all products plugged into the wall outlet does not exceed the fuse rating.
- To prevent electrical shock hazard, disconnect the power cable from the electrical outlet before relocating the system.

- When adding or removing devices to or from the system, ensure that the adapter for the devices are unplugged before the signal cables are connected.
- If the power adapter is broken, do not try to fix it by yourself. Contact a qualified service technician or your retailer.
- Before using the product, make sure all cables are correctly connected and the power adapter are not damaged. If you detect any damage, contact you dealer immediately.
- To avoid short circuits, keep paper clips, screws, and staples away from connectors, Thermal Louvers, and circuitry.
- If you encounter technical problems with the product, contact a qualified service technician or your retailer.
- Please disconnect the AC power cable from LCD monitor when you install the bracket of mini PC to LCD Monitor.
- This production is suitable for use in non-tropic areas below 2,000meters.

Accessories List

- mini PC (1)

- Power adapter(1)
- Quick Start Guide(1)
- HDMI Cable(1)
- HDMI-To-VGA Cable(1)
- VESA Bracket(1)
- Screws(4)

Specification

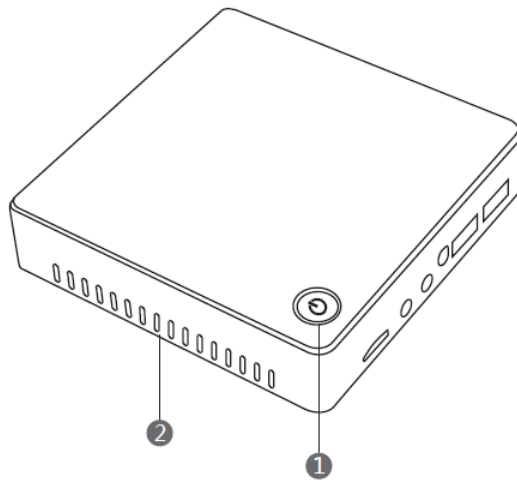
Components	Specification
Processor	Intel® BayTrail-T CR Z3735F, Cores 4, Threads 4, Cache 2MB,
	Processor Base Frequency 1.33GHz, Burst frequency 1.83GHz
Intel HD Graphic	Intel HD Graphic(Gen7 LP)
	Graphics Base Frequency. 313MHz, Graphics Burst Frequency. 646MHz
Memory	Memory Types DDR3L-RS 1333MHz, Max Memory Bandwidth 10.6GB/s
Disk	eMMC 32GB
WiFi	IEEE 802.11 b/g/n
I/O port	1 × Mini DP port,
	1 × HDMI port
	1 × RJ45 10/100M LAN port

	4×USB 2.0 port
	1×Audio 3.5mm output
	1×Audio 3.5mm line-in(microphone port)
	1×DC-In
	1×IR Blast port
	1×Micro TF card
Power adapter	Input:AC100-240V~50/60Hz Output:5.0V/3A
Video encoding	Support Video(H264,H263,mpeg4,vp8,vp9)
	File Type(*.3gp,*.mp4,*.ts,*.mkv,*.avi)
Audio encoding	Support audio(aac,ammb,amrwb,g711-alaw,g711-mlaw,mp3,vorbis, Alac,raw,flac,gsm)
	File Type(*.mp3,*.wav,*.ogg,*.flac,*.mid,*.amr,*.aac,*.ts,*.mp4,*.m4a,*.3gp,*.mkv)
Description	107*107*25mm
Weight	250g
Operating System	Win10

Note: Above specification are for reference only and shall not constitute any commitment in any way. Concerning the product improvement, we shall reserve the right to change the product specifications without further notice.

Chapter 1. Getting to know your mini PC

1.1 TOP View



Power button+ Power Indicator: The power switch turns ON and OFF the mini PC or putting the mini PC into sleep or hibernation modes. Actual behavior of the power switch can be customized in Windows Control Panel “Power Options”

- ① The power indicator lights when the mini PC is turned ON and shows the Blue. The indicator LED is OFF when the mini PC is in the Suspend mode and turned OFF.

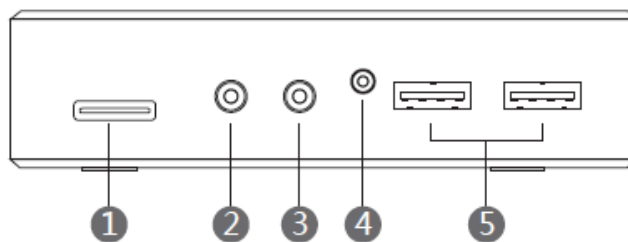
Thermal Louvers: Dissipate internet heat.



Note: Make sure that none of the thermal louvers are blocked or else overheating of the computer may occur.

②

1.2 Front Panel



① Card Reader

The built-in memory card reader enables your Mini PC to read and write data and from Micro SD cards.

② **Headphone jack (3.5mm):** Connects to external headphones or loudspeaker



Note: Listening to music at high volume over extended periods of time may damage your hearing.

- ③ **Microphone jack (3.5mm):** Connects to external microphones.
- ④ **IR Blaster port (on selected models):** IR port receive infrared signal from the remote control when you operate computer with remote control.

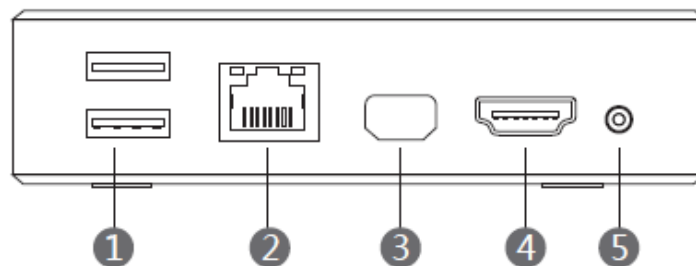


Note: Remote control is optional part.

⑤ **USB 2.0 ports: Connecting a USB Device**

The USB port is compatible with USB2.0 or USB 1.1 devices such as keyboard, Mouse, Camera, hard disk drives, Printer, and Scanner.

1.3 Rear side



- ① **USB 2.0 ports:** The USB port is compatible with USB2.0 or USB 1.1 devices such as keyboard, Mouse, Camera, hard disk drives, Printer, and Scanner connected.
- ② **LAN port:** The RJ-45 LAN port with 8pins and supports a standard Ethernet cable for connection to a local network. The build-in connector allows convenient use without additional adapters.
- ③ **DisplayPort:** The Display port sends high-performance digital output from your computer to a display device such as an LCD TV or HD monitor.
- ④ **HDMI port:** The HDMI (High Definition Multimedia Interface) port supports a Full-HD device such as an LCD TV or monitor to allow viewing on a larger external display. Also, you can connect to a traditional LCD monitor with attached HDMI-to-VGA cable.



Note: HDMI is an uncompressed all-digital audio/video interface. If you want to output audio by HDMI port, Please ensure your LCD have built-in speaker. Otherwise, audio is output from headphones port.

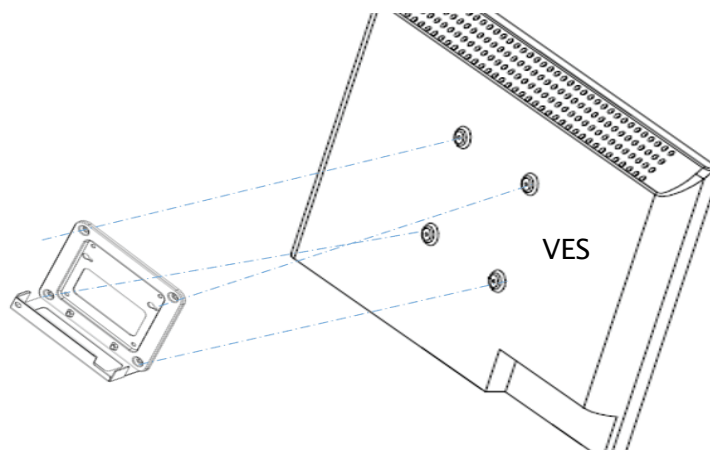
⑤ **Power Input (DC 5v):** The supplied power adapter converts AC power to DC power for use with this jack. Power supplied through this jack supplies power to the Computer. To prevent damage to the Computer, Please always use the supplied power.



Note: The adapter may become warm to hot when in use. Ensure not to cover the adapter and keep it away from your body.

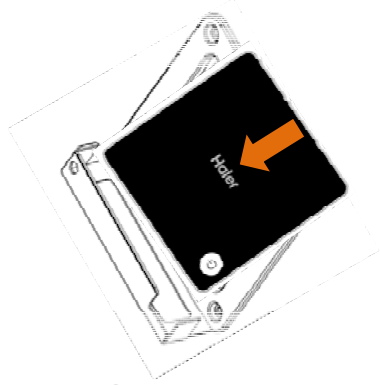
1.4 Mounting Brackets

- STEP 1: To install the brackets to the LCD monitor with accessory screws.(Picture for reference)



Note: please ensure the LCD monitor with VESA hole.

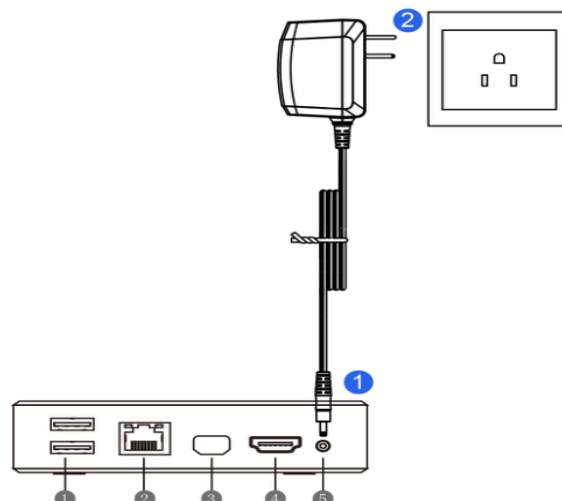
- STEP 2: Put the mini PC into the brackets



Chapter 2. Getting Started

2.1 Connecting to power adapter

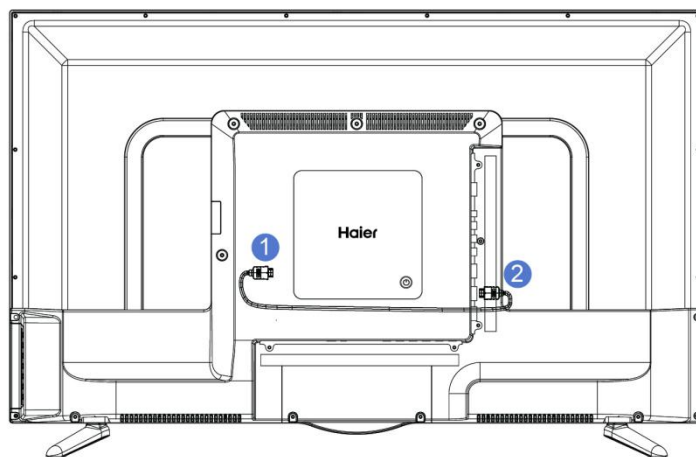
The power adapter converts AC power from a wall outlet to the DC power required by the computer. This computer comes with a universal AC-DC adapter. That means that you may connect the adapter to any 100v-120v as well as 220v-240v outlets without setting switches or using power converters. Different countries may require that an adapter be used to connect the provided US-standard wall outlet.



IMPORTANT! Damage may occur if you use a different adapter to power the mini PC or use the mini PC's adapter to power other electrical

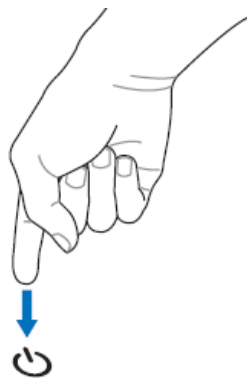
devices. The power adapter may become warm to hot when use. Be sure not to cover the adapter and keep it away from your body. Unplug the power adapter or switch off the AC outlet to minimize the power consumption when the mini PC is not in use.

2.2 Connecting to LCD monitor/TV



2.3 Turning on the power

Press and release the power button




The power button allows powering ON and OFF the mini PC and restore from suspend mode. Use the switch once to turn On and once to turn OFF the mini PC.

Emergency Shutdown

In case your operating system cannot properly turn OFF or restart, there is an additional way to shut down your mini PC:

Hold the power button over 10seconds.

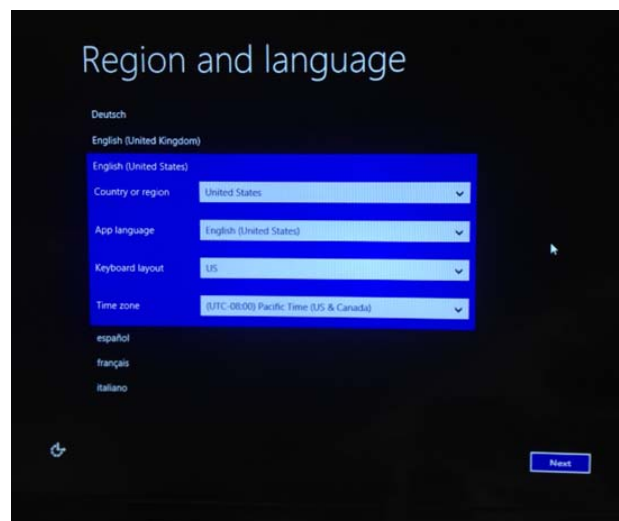
 **Note:** DO NOT use emergency shutdown while data is being written, doing so can result in loss or destruction of your data.

2.4 Preparing initial system configuration

Step 1. Region and language

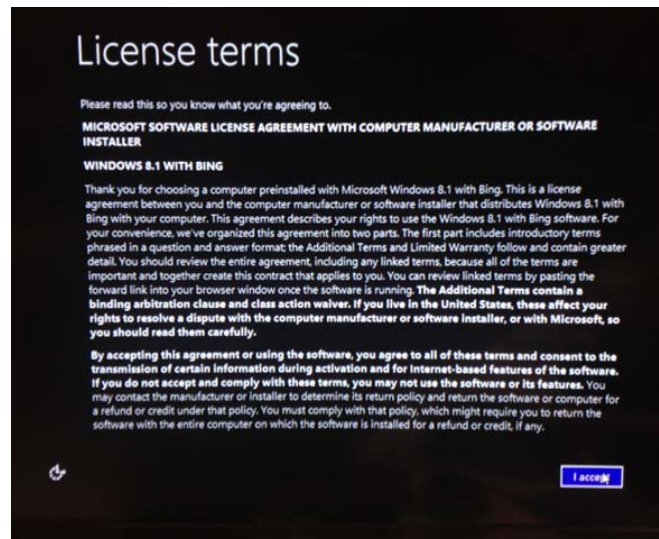
If you prefer the English keyboard, Please choose the US in keyboard layout.

If you prefer the Spanish keyboard, Please choose the Spanish in keyboard layout



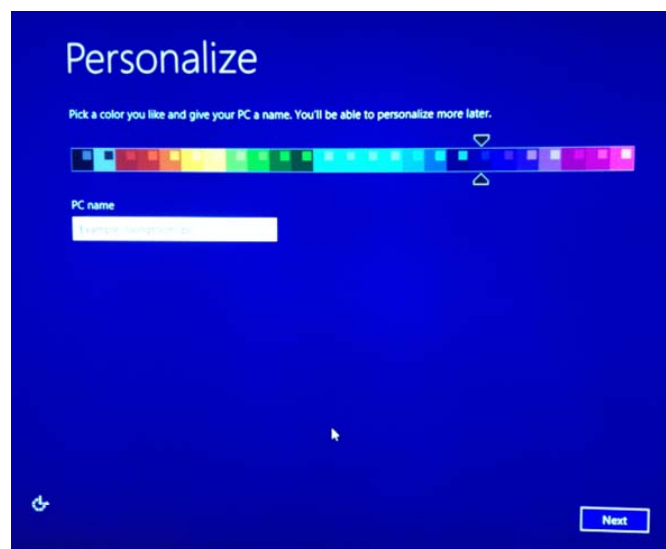
Step 2. License terms

Please click the 'I accept'



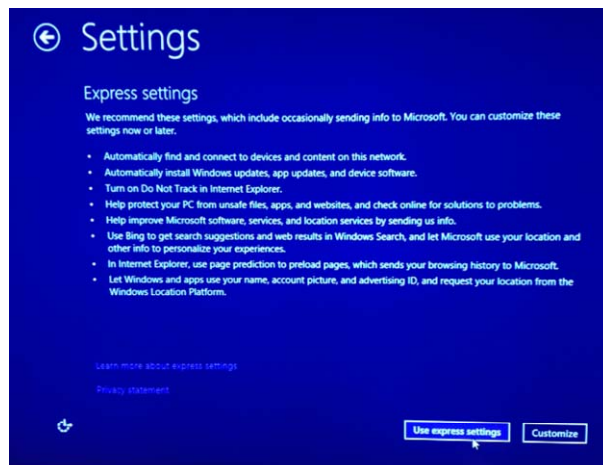
Step 3. Personalize

Key in the PC name, then click 'next'



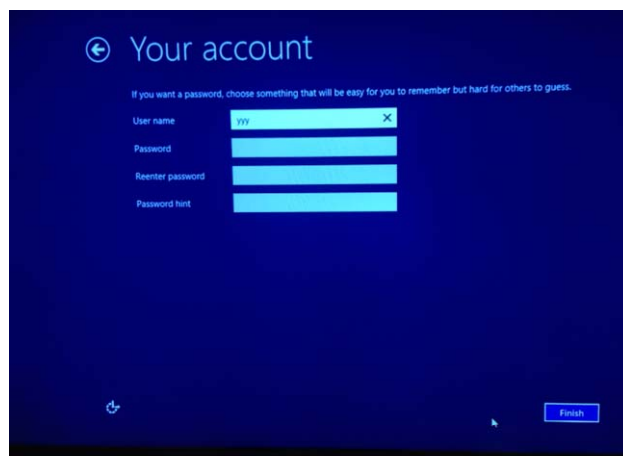
Step 4. Getting online

Please click the 'Skip this step'



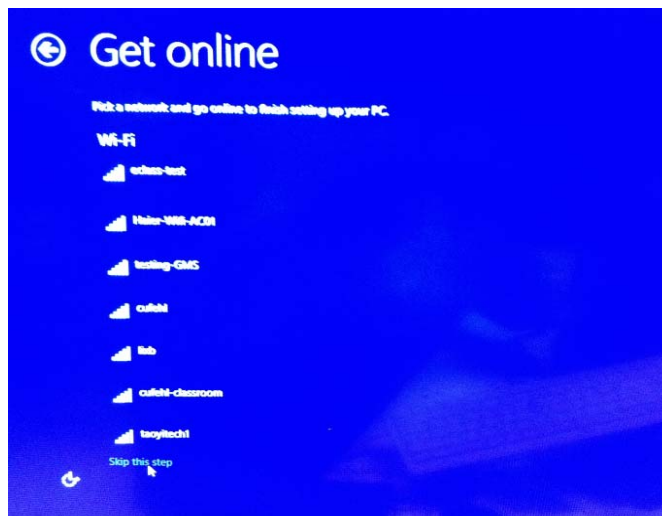
Step 5. Settings

Please click 'user express setting'



Step 6. Your account

Key in the account, then to click 'finished'



Appendix

Troubleshooting

- Your device can not be turned ON

Please check the LED indicator is light, if not, please check the DC is connected OK or NOT, and the AC adapter is connected OK or NOT.

- Your device can not access to the internet by WiFi

Make sure your device can receive any WiFi signal. If you have found the WiFi signal quality is low or not stability, Please check with your device does have any metallic materials covered in mini PC, it will affect the signal quality.

Make sure the Router support function of DHCP, if not, please configure a static IP address.

- Your device does not responds or responds too slowly to device.

Maybe too many apps are running in the backstage.

Maybe any incompatible-version app has been installed.

Use the antivirus software to scan and kill the virus (if any).

- Your device gets warm in use

It is normal that your device gets warm in a long-time use.

- Your device crashes and its keys do not work

Press and hold the power button 4sec. to force a system shut down, and if the device is working abnormal please restart it firstly.

- The total memory is smaller than the specification

A certain space has been used to store the system files and install user app, so it appears that the total memory is smaller than the defined memory.

Important Statements

All contents and services obtained through your device shall belong to a third party under the protection of copyright, partner, trademark or other intellectual properties, and shall be used for your personal non-commercial purposes only. You are not allowed to use any content or service in any way without the authorization of the content or service provider.

In no case shall we be held responsible for any direct, indirect or accidental loss or damage caused by your accessing any content,

service, information or third-party software through your device. Third-part services are subject to change, deletion or may stop without prior notice. We shall not be responsible for providing any related customer service for any third-party service requests directly to the relevant content or service provider.

Please remember to backup data when using your device. We shall not be held responsible for any personal data loss or damages caused by software or hardware incorrect operation.

FCC Radiation Exposure Statement

The antennas used for this transmitter must be installed to provide a separation distance of at least 20 cm from all persons and must not be co - located for operating in conjunction with any other antenna or transmitter