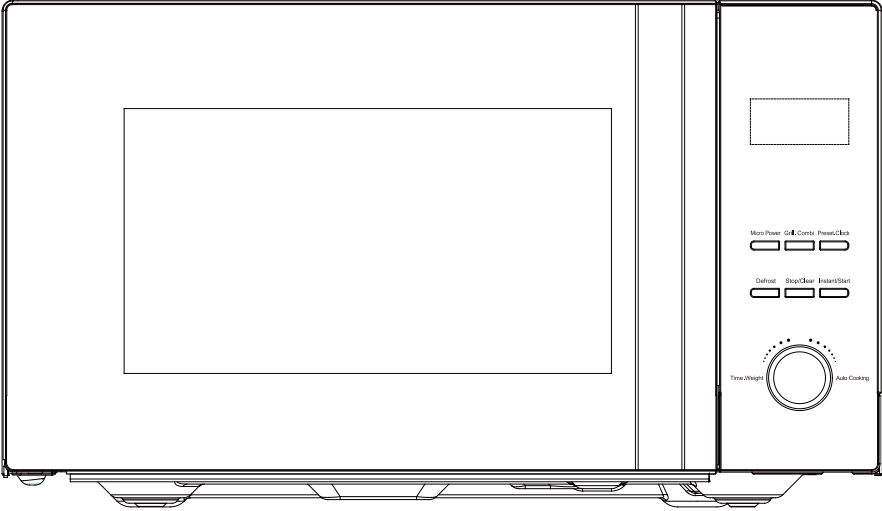


# Microwave Oven

Model: HDS-2380EG

Owner's Manual

# Haier



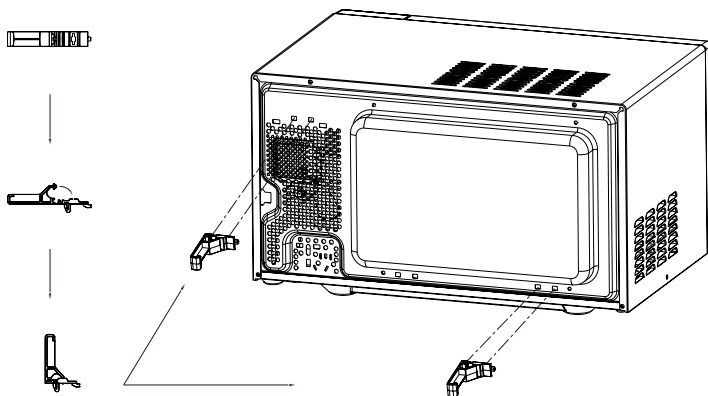
*Please read this booklet carefully before fixing and using and save it for future reference.*

# Installation

1. Remove the packaging and take out the distance limiter from accessory in microwave oven (some models have been installed already), unlock the power cord, according to the specific shape of distance limiter, install by following the given instruction. The purpose of the distance limiter is to make the microwave oven to keep a certain distance from the wall.
2. Take out all the packing. Carefully check whether there is damage to the microwave oven. Such as:
  - a. the oven cavity is impacted or pressured.
  - b. the door is not flat; the switch is not smooth and flexible.
  - c. the metal Insulated mesh on the door is bended or deformed.
  - d. the power cord is loose.

**IF IT IS FOUND ABOVE, CONTACT YOUR NEAREST SERVICE CENTER APPROVED.**

3. Microwave ovens must be placed under dry and non-corrosiveness environments, kept away from heat and humidity, such as gas burner or water tank.
4. To ensure sufficient ventilation, the distance of the back of microwave to the wall should be at least 10 cm, the side to the wall should be at least 5 cm, the free distance above the top surface at least 20 cm.
5. The position of the oven shall be far from the TV, Radio or antenna to avoid disturbance, the distance at least more than 5 m.
6. The appliance must be positioned so that the plug is accessible, and must ensure a good grounding in case leakage, ground loop can be formed to avoid electric shock.
7. The microwave oven shall not be placed in a cabinet.
8. The back of the oven must be placed against a wall.
9. As there is manufacturing residue or oil remained on the oven cavity or heat element, it usually would smell the odor, even a slight smoke, It is normal case and would not occur after several times use, keep the door or window open to ensure good ventilation. So it is strongly recommended to set the oven to grill mode and operate dry several times. Operating dry can only be conducted in the grill mode, it can not be conducted at combination mode.
10. To keep the microwave oven at a distance from the wall, it is necessary to install a distance limiter



# Important safety instruction

When using Microwave oven, the following precautions must be observed:

1. Read all instructions before using and keep it for future reference.
2. Only use utensils that are suitable for use in microwave ovens.
3. The minimum height of free space necessary should be at least 20mm above the top surface of the oven.
4. Make sure the voltage in your living area corresponding to the one shown on the rating label of the appliance. And the wall socket is properly grounded. As a result of strong current please use the dedicated sockets and not shared with other normal sockets to avoid overloading and causing fire.
5. The microwave oven for home heating and cooking food and design, please do not use for industrial and commercial.
6. Do not cover the ventilation openings to avoid damage to the oven because of the over-temperature.
7. **WARNING:** Liquids and other foods must not be heated in sealed containers since they are liable to explode.
8. To reduce the risk of fire in the oven cavity:
  - a. Do not heat food in sealed, and do not overcook the food.
  - b. When heating food in plastic or paper containers, keep an eye on the oven due to the possibility of ignition.
  - c. Do not heat oil or fat for deep frying as the temperature of oil can not be controlled.
  - d. After use wipe the waveguide cover with a damp cloth, followed by dry cloth to remove any food splashes and grease. Built-up grease may overheat and begin to cause smoke or catch fire
  - e. If smoke is observed, switch off or unplug the appliance and keep the door closed in order to stifle any flames.
  - f. Close supervision is necessary when using any one-off containers made from plastic, paper or other combustible material.
  - g. When cooking the food with less moisture content or not heat-resistant container, please use low power to avoid burning.
9. To reduce the risk of explosion and sudden boiling:
  - a. Do not place sealed containers in the oven. Baby bottles fitted with a screw cap or teat are considered to be sealed containers.
  - b. When boiling liquid in the oven, use the wide-mouthed container and food at the top of the container must stay away enough space from the mouth to avoid the food spilled boiling.
  - c. Potatoes, sausage and chestnut should be peeled or pierced before cooking.
  - d. Microwave heating of beverages can result in delayed eruptive boiling, therefore care must be taken when handling the container.
  - e. The contents of feeding bottles and baby food jars shall be stirred or shaken and the temperature checked before consumption, in order to avoid burns.
  - f. Eggs in their shell and whole hard-boiled eggs should not be heated in microwave ovens since they may explode, even after microwave heating has ended.
10. **WARNING:** If the door seals are damaged, the oven must not be operated until it has been repaired by a competent person.
11. If the supply cord is damaged it must be replaced by the manufacturer or its service agent or a qualified technician in order to avoid a shock hazard.
12. After cooking, the container is very hot. Using gloves to take out the food and avoid steam burns by directing steam away from the face and hands.

13. Slowly lift the furthest edge of dishes cover and microwave plastic wrap and carefully open popcorn and oven cooking bags away from the face and hands.
14. To prevent the turntable from breaking:
  - a. Let the turntable cool down before cleaning.
  - b. Do not place hot foods or utensils on the cold turntable.
  - c. Do not place frozen foods or utensils on the hot turntable.
  - d. Make sure the utensils and turntable do not touch the interior walls during working.
15. Do not store food or any other things inside the oven.
16. Do not operate the oven without any liquid or food inside the oven. Operate without anything would do damage the oven.
17. **WARNING:** Only allow children to use the oven without supervision when adequate instructions have been given so that the child is able to use the oven in a safe way and understands the hazards of improper use.
18. **WARNING:** It is hazardous for anyone other than a competent person to carry out any service or repair operation that involves the removal of a cover which gives protection against exposure to microwave energy.
19. Power rated voltage range  $\pm 10\%$  fluctuation, microwave oven can work in proper. However, the output power will affect the working time. Therefore, you can adjust the cooking time according to the actual situation.
20. **WARNING—Microwave Radiation.**
21. Any accessories not recommended by the manufacturer may cause injuries to appliances or persons.
22. After using, unplug the power cord, make sure not to put the power cord directly above the cover, or close to the fire and submerged in water.
23. Do not try to cook any food with the oven door opening never put anything into the safety lock.
24. Microwave oven has microwave source and high pressure, and there is no structure for user to adjust. Never remove the out cover.
25. Do not use outdoors.
26. This appliance is not intended to be operated by means of an external timer or separate remote-control system.
27. Details for cleaning door seals, cavities and adjacent parts.
28. The oven should be cleaned regularly and any food deposits removed.
29. Do not use harsh abrasive cleaners or sharp metal scrapers to clean the oven door glass since they can scratch the surface, which may result in shattering of the glass.
30. Failure to maintain the oven in a clean condition could lead to deterioration of the surface that could adversely affect the life of the appliance and possibly result in a hazardous situation
31. **WARNING:** Accessible parts may become hot during use. Young children should be kept away.
32. Do not operate the microwave oven without the rotating ring and glass turntable.
33. Do not beat the control panel or it will be unworkable.
34. Children should be supervised to ensure that they do not play with the appliance.
35. The microwave oven shall not be placed in a cabinet.
36. The lamp inside the product is used for lighting of the product. This lamp is not suitable for household room illumination.
37. **Device Group 2 Class B**

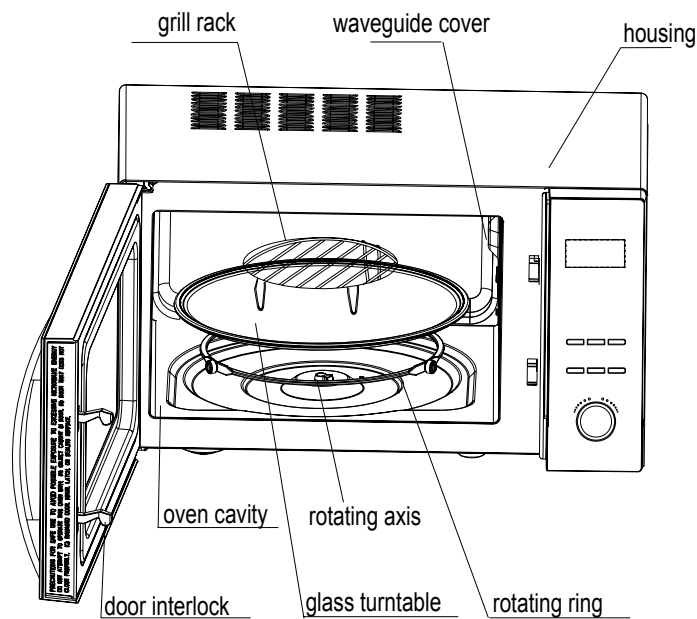
This device is a Group 2 because it intentionally produced the radio frequency energy to treat the material and is intended to be used in a local home or a facility connected directly to the distribution of electricity at low voltage supplying domestic premises (Class B).

 CAUTION

Household use only

# PRODUCT INTRODUCTION

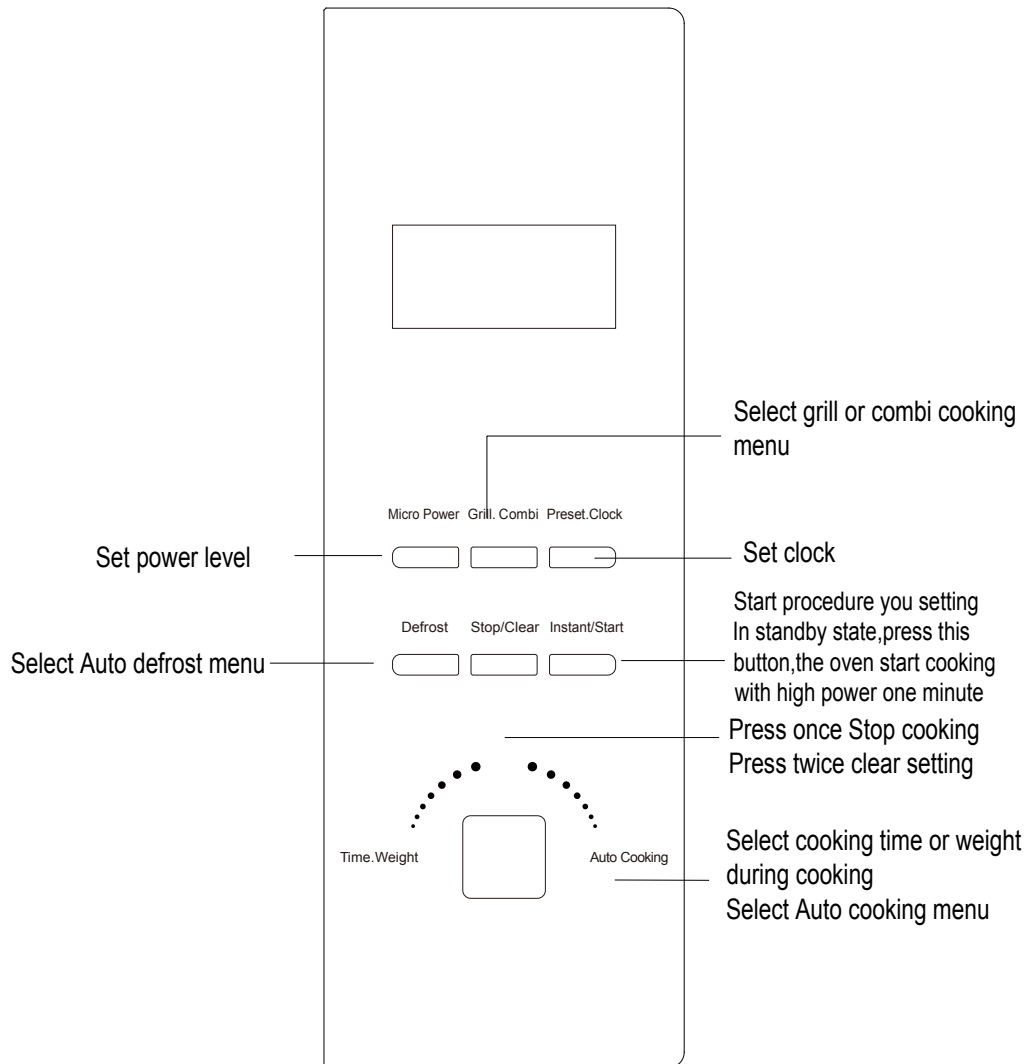
## 1. Appearance and structure diagram



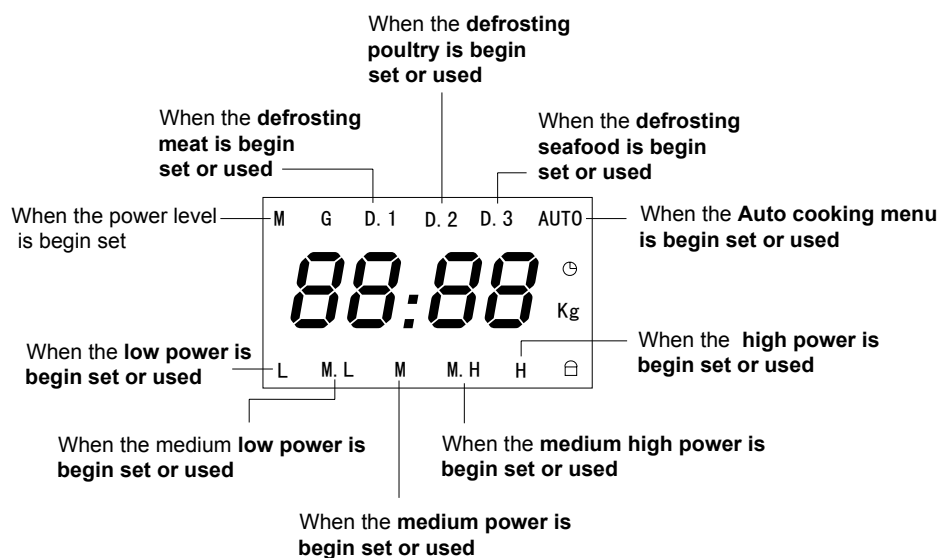
 WARNING

- a. Do not remove the Waveguide cover during cleaning
- b. Make sure the Waveguide cover installation right and no damage during cooking

## 2. Control panel



## 3. LED instruction and display



# Function and Operation method



The LED flashes 3 times when plugged in power supply. Then it flashes “:”, prompting you to input the cooking menu and time.

## 1. Auto reminder

When your preset cooking procedure have finished, the LED Display will show End and three beeps sound will be heard to prompt you to take out food. If you do not press Stop/Clear button once or open the door the beep will be sounded at an interval of 3 minutes.

## 2. Clock setting

Clock button make it available for you to input current or preset time when “:” flashes onto LED display after plugged in, or try to skip it over to continue if unnecessary.

For example: to set 12:30		
	Depress	Display
1	After power-up, the colon flashes	:
2	Press <b>Preset .Clock</b> button once	<b>00:00</b>
3	Turn <b>Auto Cooking/ Time .Weight</b> knob to set exact hours.	<b>12:00</b>
4	Press <b>Preset. Clock</b> button once again.	<b>12:00</b>
5	Turn <b>Auto Cooking/ Time .Weight</b> knob to set exact minutes.	<b>12:30</b>
6	Press <b>Preset. Clock</b> button once again or wait for 5 seconds, and the numbers will go steadily.	

### 3. Microwave cooking

This function use for cooking and heating food. Press Micro Power button, LED cycles to show 100P—80P—60P—40P—20P

High power	100% microwave power. Applicable for quick and thorough cooking
Medium High power	80% microwave power. Applicable for medium express cooking
Medium power	60% microwave power. Applicable for steaming food
Medium Low power	40% microwave power. Applicable for defrosting food
Low power	20% microwave power. Applicable for keeping warm

#### CAUTION

- a. The max time which can be set is 60minutes
- b. Never operate the oven empty.
- c. If you turn the food during operation, press the Instant/Start button once and the preset cooking procedure will continue.
- d. If you intend to remove the food before the preset time, you must press Stop/Clear button once to clear the preset procedure to avoid unintended operation of next time use.

<b>Example: To cook at P80 for 10 minutes.</b>		
<b>Depress</b>		<b>Display</b>
1	After power-up, the colon flashes	:
2	Select the desired microwave power by depressing <b>Micro Power</b> button consecutively	<b>80P</b>



3	Set cooking time by turning <b>Auto Cooking/ Time .Weight</b> knob	<b>10:00</b>
4	Press <b>Instant/Start</b> button to start, and LED will count down to show running time.	

 **CAUTION**

You may change the cooking time during cooking. And it is recommended turning the food halfway, after you turn the food. Press Instant/Start button once to continue.

## 4. Grill.Combi

This function use for grill food, Press the button LED Display will cycle to show **G**, **C1**, **C2**.

<b>G</b>	Grill, the heat element will be energized during operation time. Which is applicable for rolling thin meats or pork, sausage, chicken wing as good brown color can be obtained
<b>C1</b>	Combination of Grill and microwave cooking. 30% of time microwave output and 70% of time light wave
<b>C2</b>	Combination of Grill and microwave cooking. 55% of time microwave output and 45% of time light wave

 **CAUTION**

In the mode of convection/combo/grill, all of the oven parts, as well as the rack and cooking containers, may become very hot. Use caution when removing any item from the oven. Use heavy potholders or oven mitts to **PREVENT BURNS**.

<b>Example: To grill food with G2 cook menu for 10 minutes</b>	
<b>Depress</b>	<b>Display</b>
1. After power-up, the colon flashes	:
2. Press <b>Grill .Combi</b> button to select desired grill menu	<b>C.2</b>

3. Set cooking time by turning the <b>Auto Cooking/ Time .Weight</b> knob	<b>10:00</b>
4. Press <b>Instant/Start</b> to start cooking	

## 5. Defrost

This function use for Defrost food, Press the Auto Defrost button and the LED display will cycle to show d.1 d.2 d.3.

d.1	For defrosting meat, the weight range from 0.1 to 2.0 kg.
d.2	For defrosting poultry, the weight range from 0.2 to 3.0kg.
d.3	For defrosting seafood, the weight range from 0.1 to 0.9kg.

### CAUTION

- a. It is necessary to turn over the food during operation to obtain uniform effect.
- b. Usually defrosting will need longer time than that of cooking the food.
- c. If the food can be cut by knife, the defrosting process can be considered completed.
- d. Microwave penetrates around 4cm into most food
- e. Defrosted food should be consumed as soon as possible, it is not advised to put back to fridge and freeze again

<b>Example: To defrost 0.4kg poultry</b>		
	<b>Depress</b>	<b>Display</b>
1	After power-up, the colon flashes	<b>:</b>
2	Press <b>Defrost</b> button to set the food kind.	<b>D.2</b>

3	Press <b>Instant/Start</b> to confirm	<i>0.2</i>
4	Turn <b>Auto Cooking/ Time .Weight</b> knob to set the defrost weight	<i>0.4</i>
6	Start cooking by pressing <b>Instant/Start</b>	
7	In half way during defrosting 3 beep sound will be heard two times to prompt you turn over the food. Open the door and turn over the food and shield the warm portion. Then close the door. Press Instant/start button again to continue defrosting	

## 6. Auto cooking

The oven has default cooking menu for simple operation. When the LED flash colon, press the Auto Cook button and LED will cycle to show A.1、 A.2 …… A.8 Choose the appropriate menu according to the food type and weight and strictly observe the directions in below table, otherwise the cooking effect will be largely influenced.

Display	Kind	Method
<i>A.1</i>	<b>Popcorn</b>	Suitable for popping a bag of corn, which is available in the market, weighted 85g. Popcorn prior to completing, if the popping speed has been decreased to 1 time per 1-2 seconds you should press <b>stop/Clear</b> button to stop the popping process
<i>A.2</i>	<b>Popcorn</b>	Same as A.1 except 100g weight
<i>A.3</i>	<b>Pizza</b>	Warm a piece of chilled pizza of 0.15Kg
<i>A.4</i>	<b>Beverage</b>	Heating a cup of 250 ml liquid. The liquid temperature is about 5-10°C. Use a big mouth cup and do not seal

<b>A.5</b>	<b>Beverage</b>	Heating a cup of 500 ml liquid. The liquid temperature is about 5-10°C. Use a big mouth cup and do not seal
<b>A.6</b>	<b>Potato</b>	Cooking the potato strips, cut into 5mm width and height, length. Total weight is about 0.45kg. Place the strips on a large dish and cover the dish with a thin film to prevent water loss
<b>A.7</b>	<b>Potato</b>	Same as A.6 except the weight of potato strips is about 0.65Kg
<b>A.8</b>	<b>Fish</b>	Suitable for steaming a fish of 0.45Kg. After the fish washed and scales removed, make a slits on the skin of fish .Put the fish on a shallow dish of 22-27cm diameter sprinkle lightly with some ingredient and cover the dish with a thin film to prevent water loss. After cooking, stand for 2 minutes.

 **CAUTION**

- a. The temperature of food before cooking would be 20-25°C. Higher or lower temperature of the food before cooking would require increase or decrease of cooking time.
- b. The temperature, weight and shape of food will largely influence the cooking effect. If any deviation has been found to the factor noted on above menu, you can adjust the cooking time for best result.

<b>Example: Steam 0.45kg fish</b>	
<b>Depress</b>	<b>Display</b>
1. After power-up, the colon flashes	:
2. Turn <b>Auto Cooking/ Time .Weight</b> knob to set the cooking menu	<b>A.8</b>
3. Start cooking by pressing Instant/Start button, and LED will count down to show running time.	<b>6:30</b>

## 6. Automatic starting (delayed function)

If you do not want the menu be started immediately, you can preset the cooking menu and time and the preset menu will be automatically started at your set time. The setting will consist of 2 steps:

1. Setting the current clock;
2. Setting the cooking menu and time.

<b>Example: Now it is 12:30 clock, if you hope that the microwave oven will automatically start cooking with 100P microwave power for 9 minutes and 30 seconds at 14:20</b>		
	<b>Depress</b>	<b>Display</b>
1	After power-up, the colon flashes	:
1.1	Depress <b>Preset .Clock</b> button	<b>00:00</b>
1.2	Set hours by turning <b>Auto Cooking/ Time .Weight</b> knob	<b>12:00</b>
1.3	Depress <b>Preset. Clock</b> button again to confirm hours	<b>12:00</b>
1.4	Set minutes by turning <b>Auto Cooking/ Time .Weight</b> knob	<b>12:30</b>
1.5	Depress <b>Preset. Clock</b> button once or waiting for 5 seconds, and the numbers will go steady.	<b>12:30</b>
2	Set the cooking menu and time	
2.1	Select cooking power by pressing <b>Micro Power</b> button	<b>100P</b>
2.2	Turn <b>Auto Cooking/ Time .Weight</b> knob to set cooking time	<b>9:30</b>
2.3	Press and hold Clock button for 3 seconds to return to current clock.	
3	Set the time you expect to start. Repeat the steps of 1.2, 1.3, 1.4	
4	Depress Clock button to confirm the delayed menu. Now the program has been activated. And the menu will be started at 14:20.	
5	You may check the preset starting time by depressing Clock button.	

## 7. Multi-sequence cooking

To obtain best cooking result, some recipes call for different cook mode and time. You may program your personalized menu as follow:

Example: You want cook food with 100P microwave for 3 minutes then 20P for 9 minutes. This is 2 sequence setting.		
	Depress	Display
1	100P microwave for 3min	
1.1	Press <b>Micro Power</b> button to select power level.	<b>100P</b>
1.2	Turn <b>Auto Cooking/ Time .Weight</b> knob to set cooking time.	<b>3:00</b>
2	20P for 9min	
2.1	Press <b>Micro Power</b> button to select desired grill menu	<b>20P</b>
2.2	Turn <b>Auto Cooking/ Time .Weight</b> knob to set cooking time.	<b>9:00</b>
3	Start cooking by pressing <b>Instant/Start</b>	



- a. When microwave power cooking is finished, microwave oven will begin grilling operation automatically.
- b. Max 4 sequences can be set per time, repeat the steps

## 8. Child lock function

Use this feature to lock the control panel when you are cleaning or so that children can not use the oven unsupervised. All the buttons are rendered inoperable in this mode

	<b>Depress</b>	<b>Display</b>
set lock	Depress and hold <b>Stop/Clear</b> button about 3 seconds	<b>OFF</b>
cancel lock	Depress and hold <b>Stop/Clear</b> button about 3 seconds	:

## 9. UTENSILS GUIDELINE

It is strongly recommended to use the containers which are suitable and safe for microwave cooking. Generally speaking, the containers which are made of heat-resistant ceramic, glass or plastic are suitable for microwave cooking. Never use the metal containers for microwave cooking and combination cooking as spark is likely to occur. You can take the reference of below table.

<b>Material of container</b>	<b>Microwave</b>	<b>grill</b>	<b>Combo</b>	<b>Notes</b>
<b>Heat-resistant ceramic</b>	<b>Yes</b>	<b>Yes</b>	<b>Yes</b>	<b>Never use the ceramics which are decorated with metal rim or glazed</b>
<b>Heat-resistant plastic</b>	<b>Yes</b>	<b>No</b>	<b>No</b>	<b>Can not be used for long time microwave cooking</b>
<b>Heat-resistant glass</b>	<b>Yes</b>	<b>Yes</b>	<b>Yes</b>	
<b>Plastic film</b>	<b>Yes</b>	<b>No</b>	<b>No</b>	<b>It should not be used when cooking meat or chops as the over-temperature may do damage to the film</b>
<b>Grill rack</b>	<b>No</b>	<b>Yes</b>	<b>Yes</b>	
<b>Metal container</b>	<b>No</b>	<b>No</b>	<b>No</b>	<b>It should not be used in microwave oven .Microwave can not penetrate through metal.</b>
<b>lacquer</b>	<b>No</b>	<b>No</b>	<b>No</b>	<b>Poor heat-resistant. Can not be used for High-temperature cooking</b>
<b>Bamboo wood and paper</b>	<b>No</b>	<b>No</b>	<b>No</b>	<b>Poor heat-resistant. Can not be used for High-temperature cooking</b>

## 10. Cooking Tips

The following factors may affect the cooking result:

### Food arrangement

Place thicker areas towards outside of dish, the thinner part towards the centre and spread it evenly. Do not overlap if possible.

### Cooking time length

Start cooking with a short time setting, evaluate it after it times out and extend it according to the actual need. Over cooking may result in smoke and burns.

### Cooking food evenly

Food such as chicken, hamburger or steak should be turned once during cooking.

Depending on the type of food, if applicable, stir it from outside to centre of dish once or twice during cooking

### Allow standing time

After cooking times out, leave the food in the oven for a adequate length of time, this allows it to complete its cooking cycle and cooling it down in a gradual manner

### Whether the food is done

- Color and hardness of food help to determine if it is done, these include:
- Steam coming out from all parts of food, not just the edge
- Joints of poultry can be moved easily
- Pork or poultry shows no signs of blood
- Fish is opaque and can be sliced easily with a fork

### Browning dish

When using a browning dish or self-heating container, always place a



heat-resistant insulator such as a porcelain plate under it to prevent damage to the turntable and rotating ring.

#### **Microwave safe plastic wrap**

When cooking food with high fat content, do not allow the plastic wrap come into contact with food as it may melt

#### **Microwave safe plastic cookware**

Some microwave safe plastic cookware might not be suitable for cooking foods with high fat and sugar content. Also, the preheating time specified in the dish instruction manual must not be exceeded

## **CLEANING and MAINTENANCE**

### **Microwave oven care**

#### CAUTION

The oven should be cleaned regularly and any food deposits removed.

#### WARNING

1. It is hazardous for anyone other than a competent person to carry out any service or repair operation that involves the removal of a cover which gives protection against exposure to microwave energy
2. Remove the power cord from the wall outlet before cleaning
3. Failure to maintain the oven in a clean condition could lead to deterioration of the surface that could adversely affect the life of the appliance and possibly result in a hazardous situation
4. The oven should be cleaned regularly and any food deposits removed
5. Details for cleaning door seals, cavities and adjacent parts.
6. Never use hard detergent, gasoline, abrasive powder or metal brush to clean any part of the appliance
7. Do not remove the waveguide cover

8. When the microwave oven has been used for a long time, there may be some strange odors exist in oven, Following 3 methods can get rid of them:
- a. Place several lemon slices in a cup, then heat with high power for 2-3 min.
  - b. Place a cup of red tea in oven, then heat with high power.
  - c. Put some orange peel into oven, and then heat them with high power for 1 minute.

## **TIPS for cleaning**

### **Exterior:**

**Wipe the enclosure with a dampened soft cloth**

### **Door:**

**Using a dampened soft cloth, wipe clean the door and window**

**Wipe the door seals and adjacent parts to remove any spill or spatter**

**Wipe the control panel with a slightly dampened soft cloth**

### **Interior walls:**

**Wipe clean the interior surfaces with a dampened soft cloth**

**Wipe clean the waveguide cover to remove any food splashed**

### **Turntable / Rotation ring / Rotation axis:**

**Wash with mild soap water**

**Rinse with clean water and allow drying thoroughly**

## **Servicing**

**Please check the following before calling for services.**

- a. Place one cup of water (approx.150ml)in a glass measure in the oven and close the door securely. Oven lamp should go off if the door is closed properly. Let the oven work for 1 min.
- b. Does the oven lamp light?

c. Does the cooling fan work?

(Put your hand over the rear ventilation openings.)

d. Does the turntable rotate?

(The turntable can rotate clockwise or counterclockwise. This is quite normal.)

e. Is the water inside the oven hot?

If “NO” is the answer to any of the above questions, please check your wall socket and the fuse in your meter box.

If both the wall socket and the fuse are functioning properly, **CONTACT YOUR NEAREST SERVICE CENTER APPROVED.**

## SERVICING SAFEGUARDS



**MICROWAVE RADIATION!**



It is hazardous for anyone, other than a qualified service technician, to carry out any service for repairing operation which involves removal of any cover which gives protection against exposure to microwave energy.



The temperature of accessible surfaces may be high when the appliance is operating



The high voltage capacitor remains charge after disconnection; short the negative terminal of H. V capacitor to the oven chassis (use a screwdriver) to discharge before touching.



**During servicing below listed parts are liable to be removed and give access to potentials above 250V to earth.**

- 1. Magnetron**
- 2. High voltage transformer**
- 3. High voltage capacitor**
- 4. High voltage diode**
- 5. High voltage fuse**



**The following conditions may cause undue microwave exposure during servicing.**

**Improper fitting of magnetron;**

**Improper matching of door interlock, door hinge and door;**

**Improper fitting of switch support;**

**Door, door seal or enclosure has been damaged.**



- 1. if LED displays Err0 during working , it indicates that sensor has been short circuit and you need replace it at the nearest repaired department.**
- 2. if LED displays Err1 during working , it indicates that sensor has been open circuit and you need replace it at the nearest repaired department.**



**If the door or door seals are damaged, the oven must not be operated until it has been repaired by a competent person;**

**It is hazardous for anyone, other than a qualified service technician, to carry out any service for repairing operation which involves removal of any cover which gives protection against exposure to microwave energy.**

**Liquids or other foods must not be heated in sealed containers since they are liable to explode;**

**Only allow children to use the oven without supervision when adequate instructions have been given so that the child is able to use the oven in a safe way and understands the hazards of improper use**

**Correct Disposal of this product**



This marking indicates that this product should not be disposed with other household wastes throughout the EU. To prevent possible harm to the environment or human health from uncontrolled waste disposal, recycle it responsibly to promote the sustainable reuse of material resources. To return your used device, please use the return and collection systems or contact the retailer where the product was purchased. They can take this product for environmental safe recycling.