

The Superior Indoor/Outdoor Speakers User's Manual

Safety Instructions

This product is specially designed based on the full attention to safety; in order to make sure the accident-free operation, please abide the guidelines listed below:

- Always position the unit on a stable and level surface. Unstable surface can cause the unit to topple and fall, resulting in possible damage or injury
- Do not drop, unpack, open, beat, curve or burn the unit
- Avoid using the unit nearby basins or sinks where it may come in contact with water
- Do not place anything with water on the top of the unit, such as vase, glass, pot, and do not place candles or other flames/heat sources on the Speakers' surfaces well
- Protect the using of the unit from any heating devices (such as radiator, heating installation, cooking stove or other heating devices)
- Regardless of what reasons cause the unit damage, please ask for the maintenance personnel to repair
- If you want to clean the system, turn the unit off and unplug the power cable from the outlet first.
- Set the volume properly to prevent injury to the unit and your personal health

Correct Disposal of this product. This marking indicates that this product should not be disposed with other household wastes throughout the EU. To prevent possible harm to the environment or human health from uncontrolled waste disposal, recycle it responsibly to promote the sustainable reuse of material resources. To return your used device, please use there turn and collection systems or contact the retailer where the product was purchased. They can take this product for environmental safe recycling

Product overview

Thank you for purchasing The Superior Indoor/Outdoor Speakers. Our Speakers will bring you a new found freedom from wires while delivering an incredible sound. The Superior Indoor/Outdoor Speakers is compatible with all devices enabled with a 3.5 mm ear phone slot... which is currently a lot of devices!

Make sure to read through the following directions, fully charge your device and you should be up and running in no time.

Package contents

- Transmitter x 1
- Superior Indoor/Outdoor Speakers x 2
- Power adapter x 2
- 3.5 mm Male/Male Aux cable x 1
- Aux to RCA adapter x 1
- User Manual x 1

If any of these were missing or damaged, please visit our website to obtain replacement.

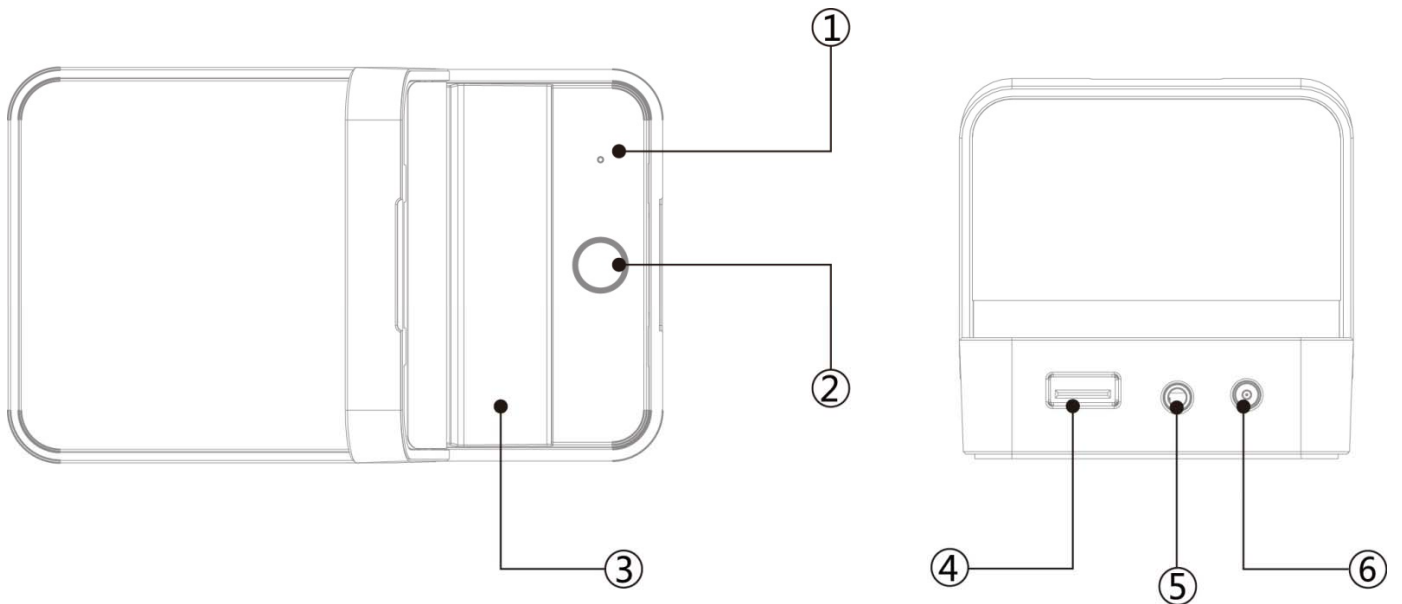
Compatibility

- All devices that have a standard 3.5mm earphone jack, including iPhones, iPads, iPods, most smart phones, laptops, tablets , MP3 players, PSP, mobile phones, etc.

Meet the Superior Indoor/Outdoor Speakers

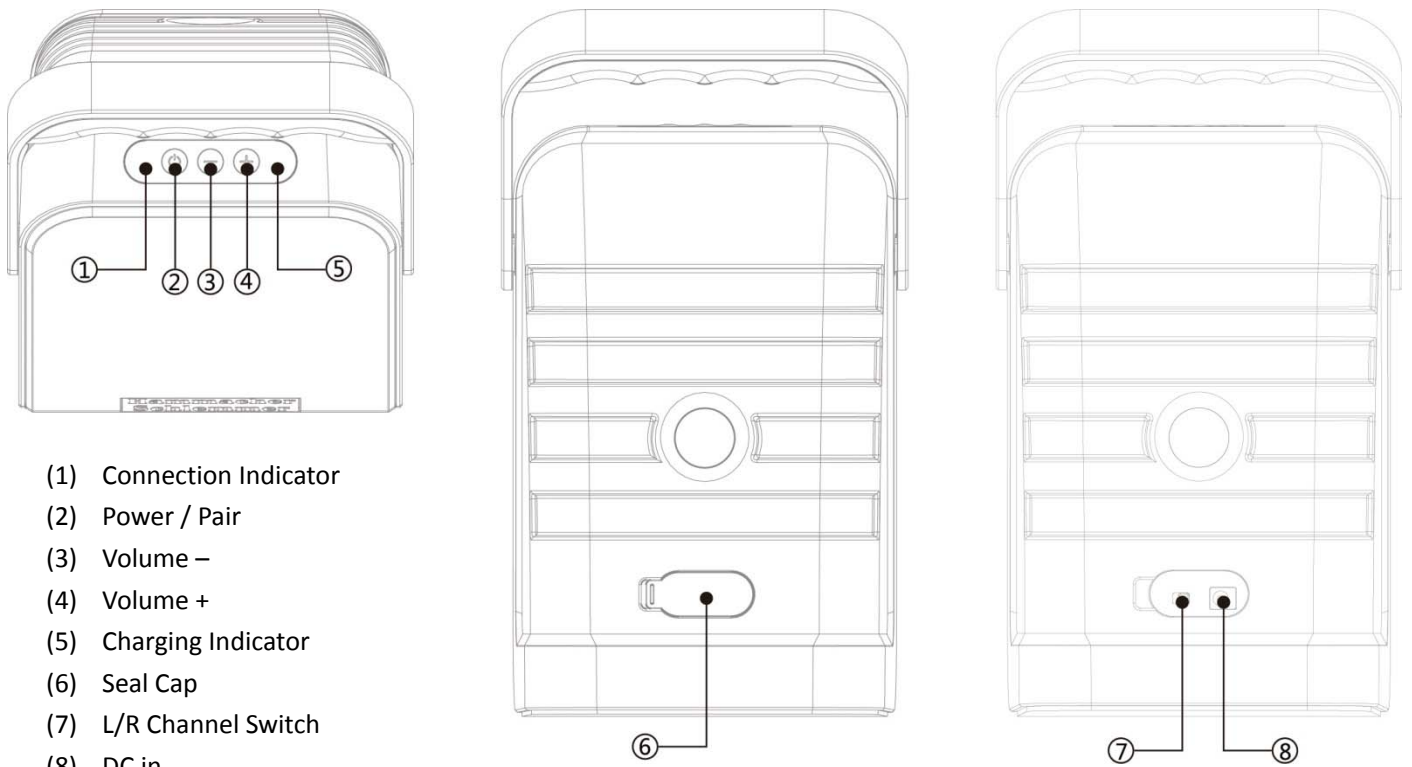
Before learning your Superior Indoor/Outdoor Speakers, take a moment to look it over and familiarize yourself with its features.

The Transmitter



- (1) Connection Indicator
- (2) Power / Pair
- (3) Cradle
- (4) USB Charging Port
- (5) Aux in
- (6) DC in

The Speakers



- (1) Connection Indicator
- (2) Power / Pair
- (3) Volume -
- (4) Volume +
- (5) Charging Indicator
- (6) Seal Cap
- (7) L/R Channel Switch
- (8) DC in

Getting Started

We know you are excited to experience your new Superior Indoor/Outdoor Speakers. These two easy steps will get you up and running quickly.

Step 1: Power and Charge It

Connect your Superior Indoor/Outdoor Speakers Transmitter to an outlet using the included 5V,2A power adapter. Now the Transmitter is ready.

Connect the Speakers to an outlet using the included 12V, 2A power adapter with split cable. It can charge two Speakers at the same time. The charging indicator on the Speakers will stay on during charging and will go out when it is fully charged.

Step 2: Connect it

- **Pair**

Press the power button on the Transmitter, the connection indicator will flash slowly, and then press the power button on the Speakers, it will pair automatically. The connection indicator on the Transmitter and Speakers will become solid.

- **Connect to your device**

The Transmitter of Superior Indoor/Outdoor Speakers can be connected to any device that has a headphone jack or line out using the included aux cable. Just connect your device to the Transmitter with supplied Aux cable, and you are all set.

- **Using the Aux to RCA adapter.**

Connect the aux cable to the yellow slot on the adapter, now it can connect to any device with RCA audio output, like Televisions, DVD players and some classic game console.

Operation Details

Power On/Power Off

- **Transmitter:** Press the power button to turn on the Transmitter of Superior Indoor/Outdoor Speakers. The connection indicator will light up to signify the unit is on and ready to be paired.
- **Speakers:** Press the power button to turn the Speakers on. The connection Indicator on the Speakers will light up to signify the unit is on. Press the power button again to turn off the Speakers and the Indicator will also go out.

Please note, always make sure to first turn on the Transmitter unit before turning on the Speakers

Speaker Controls

- Press the Power/Pair button to turn the Speakers on/off.
- Pressing the + and - buttons will increase or decrease the volume on the individual speakers. Please note that this will not affect the volume levels on the connected device. To protect your hearing, the default volume level is set to 50% when it is powered on.
-

Set the L/R Channel

Remove the seal cap at the back of the Speakers, using the L/R channel switch to change the sound channel of the Speakers.

Speakers Placement

The 2 individual Speakers can be set anywhere you like. Approximate range is 100ft away from the Transmitter (open area). The Superior Indoor/Outdoor Speakers use a 2.4 GHz signal so you're free to put the Speakers where you like!

Charging

Connect the Speakers to an outlet using the included 12V, 2A power adapter with split cable. It can charge two Speakers at the same time. The power indicator on Speakers will on during charging and goes out when it has reached a complete charge (Approx. 4 hours).

Note: if the unit has not been used in the past 7 days please charge for 30 minutes before using the Superior Indoor/Outdoor Speakers.

Low Power Alarm

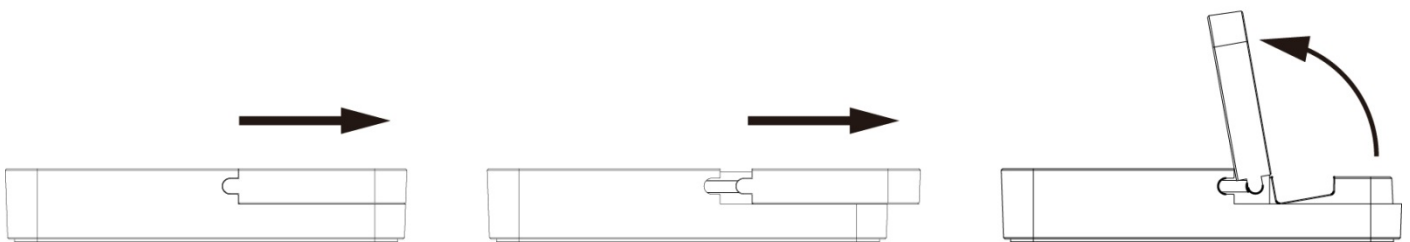
When the power is less than 10%, there will be a beep every 5 minutes. Please charge the Speakers when you hear the beeps.

Charging Your Device

The Transmitter features a standard USB charging port with 5V, 1A output at the back which can charge most cell phone and tablets. Please reference the instructions of device for details.

The USB charging cable is not included.

Operating the Transmitter's Stand



Slide the Transmitter to open to create a slot and back rest for your phone or tablet. The 25 degree angle gives you a best angle to enjoy a video play.

Troubleshooting

Issue: Pairing is unsuccessfully after multiple attempts

Solution:

- Check the power connection of the base;
- Move the Speakers closer to the Transmitter;
- Charge the Speakers unit for 30 minutes and try again.

Issue: Interference or static during playback

Solution:

- Avoid using the product between concrete or other building structures that may interfere with the signal;
- Please keep the Transmitter and Speakers away from potential interference source, like microwave, wireless router;
- Please check if the battery level of the Speakers is low and charge if necessary.

Maintenance

Please follow the instructions below for cleaning your Superior Indoor/Outdoor Speakers

- Power off the unit and unplug the power adapter from wall outlet
- Use a soft, dry, lint-free cloth and wipe gently
- Do not use alcohol, benzene, thinners or other chemical detergents as these can cause the casing to
- Warp or discolor

Storage

- Power off the Superior Indoor/Outdoor Speakers if the unit will not be used for an extended period of time.
- Do not set the unit in a damp environment, high temperatures or in direct sunlight.

Technical Specifications

Note: All specifications are subject to change without notice

- Product Name : Superior Indoor/Outdoor Speakers
- Model Number :HL2065
- Power supply: 5V,2A for Transmitter and 12V,2A for Speakers
- Output power: 10W X 2
- USB power output: 5V 1A
- Battery capacity: 7.4V 4000mA for the Speakers
- Working range: Approximately 250ft.
- Working atmosphere: 15°F-100°F / 20%-90%RH

FCC Statement

1. This device complies with Part 15 of the FCC Rules. Operation is subject to the following two conditions:

(1) This device may not cause harmful interference.

(2) This device must accept any interference received, including interference that may cause undesired operation.

2. Changes or modifications not expressly approved by the party responsible for compliance could void the user's authority to operate the equipment.

NOTE: This equipment has been tested and found to comply with the limits for a Class B digital device, pursuant to Part 15 of the FCC Rules. These limits are designed to provide reasonable protection against harmful interference in a residential installation.

This equipment generates uses and can radiate radio frequency energy and, if not installed and used in accordance with the instructions, may cause harmful interference to radio communications. However, there is no guarantee that interference will not occur in a particular installation. If this equipment does cause harmful interference to radio or television reception, which can be determined by turning the equipment off and on, the user is encouraged to try to correct the interference by one or more of the following measures:

- Reorient or relocate the receiving antenna.
- Increase the separation between the equipment and receiver.
- Connect the equipment into an outlet on a circuit different from that to which the receiver is connected.
- Consult the dealer or an experienced radio/TV technician for help

FCC Radiation Exposure Statement

This equipment complies with FCC radiation exposure limits set forth for an uncontrolled environment. This equipment should be installed and operated with minimum distance 20cm between the radiator & your body.