



EKM02

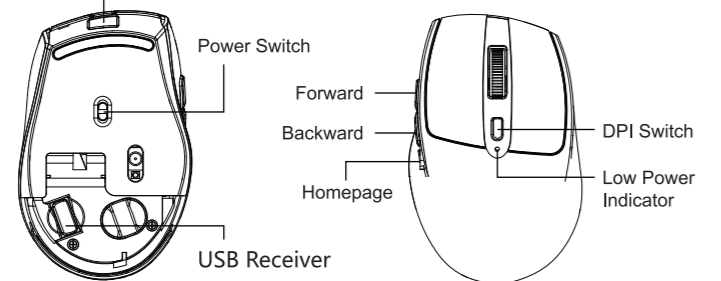
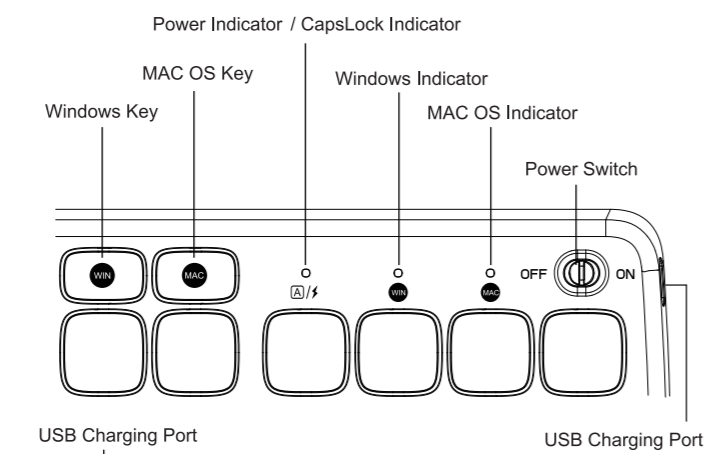
# User Manual

## 2.4G Wireless Keyboard and Mouse Combo

support@protoarc.com | www.protoarc.com

### What's in Package

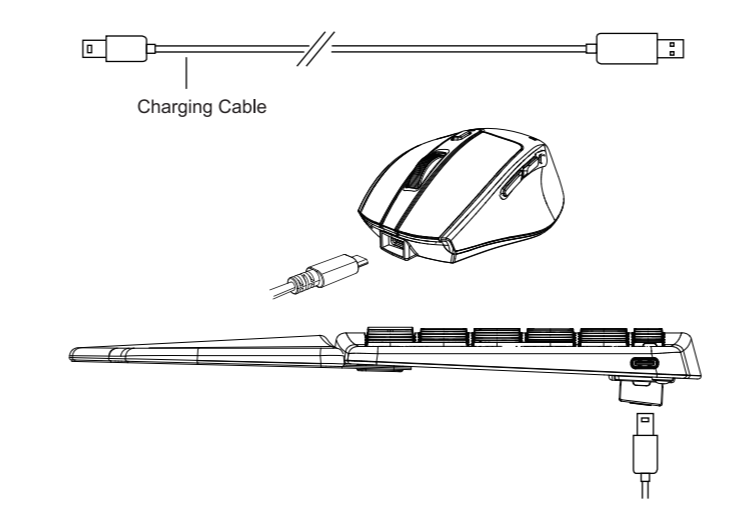
- Wireless Keyboard
- Wireless Mouse
- User Manual
- USB Receiver
- Type-C Charging Cable



### 2.4G Wireless Connection

- Switch both the keyboard and mouse power ON.
- Remove the cover in the bottom of the mouse to find the USB receiver.
- Plug receiver into the USB port.

### Charging



**Charging Tips:** The indicator light is red when the keyboard is charging, and blue when fully charged. The indicator light is red when the mouse is charging, and blue when fully charged. (Charge with 5V-1A computer interface).

**Low power prompt:** When the power of the keyboard and mouse is lower than 3.4V, the red light of the low power prompt light will flash once a second, please charge it in time or it will affect the normal use.

**Sleep time:** The keyboard sleep time is 10 minutes, press any key to wake up, The mouse sleep time is 30 minutes, press any button to wake up.

### Specifications

Wireless Keyboard	
System Compatibility	Windows system, MAC system
Operating Distance	≥8M / 26.2 ft
Operating Voltage	≤2mA
Operating Current	6.0mA
Stand-by Current	≤0.4mA
Dormant Current	18uA
Wake From Sleep Mode	Press any key to wake up
Battery Life Per Charge	250 Hours
Stand-by Time	≥250 days
Keyboard Size	419 x 220 x 19 mm / 16.5" x 8.7" x 0.8"

Wireless Mouse	
System Compatibility	Windows system, MAC system
Mouse DPI	800-1200-1600 DPI
Operating Distance	≥8M / 26.2 ft
Operating Voltage	1.5V
Operating Current	≤22mA
Stand-by Current	≤0.4mA
Dormant Current	≤0.3mA
Stand-by Time	≥100 days
Battery Life Per Charge	>36 Hours
MouseSize	107 x 69 x 41 mm / 4.2" x 2.7" x 1.6"

### Multimedia Function Key

	Mute
	Volume Down
	Volume Up
	The last song
	Play / Pause
	The next song
	Brightness Down
	Brightness Up
	Program Listing
	Desktop Display
	Copy
	Paste
	Save
	Lock/Unlock to use multimedia function

**Note:** The FN function is for alternate commands (F1-F12 & multimedia functions are dual-use keys).

NOTE: This equipment has been tested and found to comply with the limits for a Class B digital device, pursuant to part 15 of the FCC Rules. These limits are designed to provide reasonable protection against harmful interference in a residential installation. This equipment generates uses and can radiate radio frequency energy and, if not installed and used in accordance with the instructions, may cause harmful interference to radio communications. However, there is no guarantee that interference will not occur in a particular installation. If this equipment does cause harmful interference to radio or television reception, which can be determined by turning the equipment off and on, the user is encouraged to try to correct the interference by one or more of the following measures:

- Reorient or relocate the receiving antenna.
- Increase the separation between the equipment and receiver.
- Connect the equipment into an outlet on a circuit different from that to which the receiver is connected.
- Consult the dealer or an experienced radio/TV technician for help

Changes or modifications not expressly approved by the party responsible for compliance could void the user's authority to operate the equipment.

This device complies with Part 15 of the FCC Rules. Operation is subject to the following two conditions:

- (1) this device may not cause harmful interference, and
- (2) this device must accept any interference received, including interference that may cause undesired operation.