



# FREEVISION VILTA

■ Gimbal for GoPro



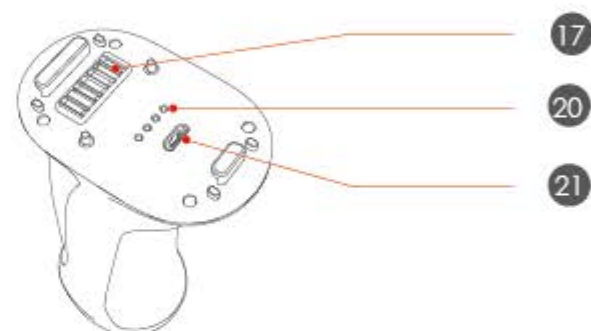
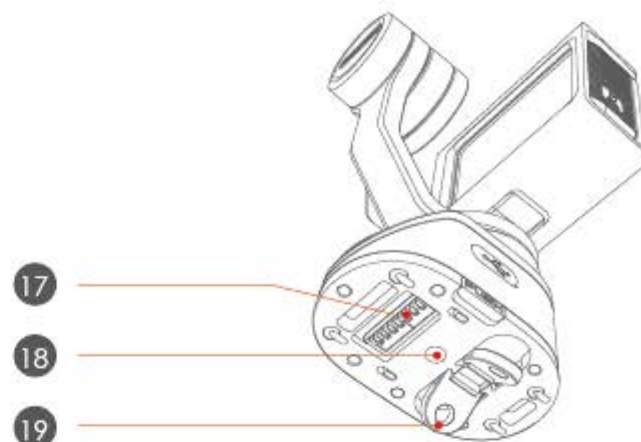
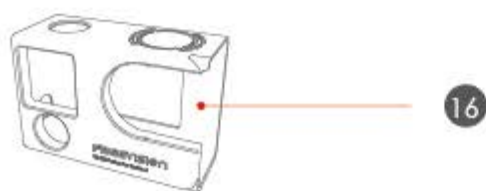
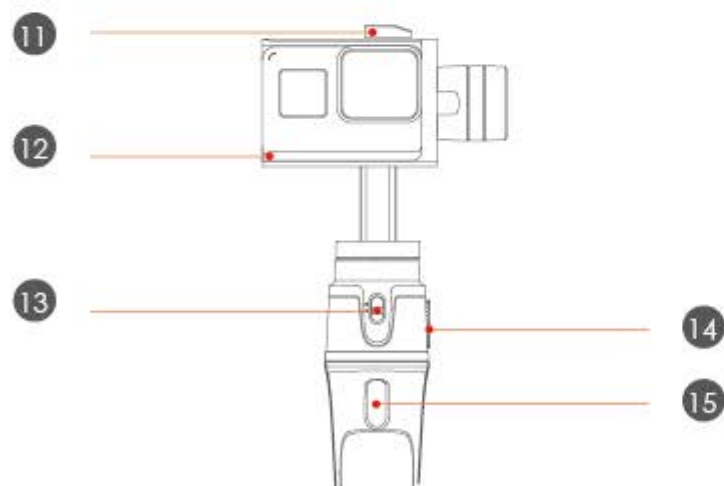
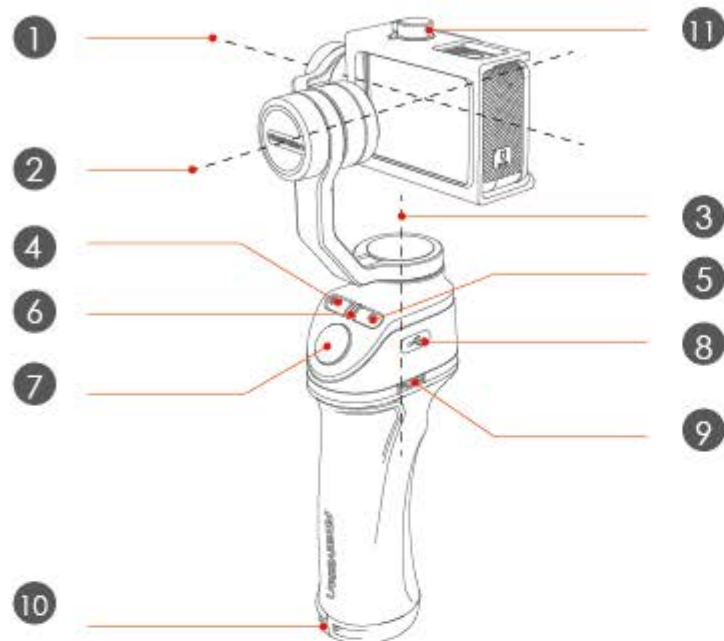
[www.freevisiontech.com](http://www.freevisiontech.com)

■  
Moving Stories  
Revolutionary Visions.

Operation Manual

入门指南

## Product Overview

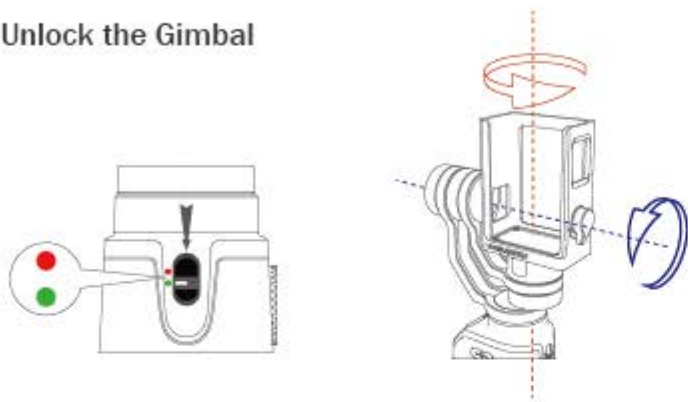


- |                  |   |
|------------------|---|
| 1. Tilt Axis     | <a href="#">12. Frame</a>                   |
| 2. Roll Axis     | <a href="#">13. Pan Axis Lock</a>           |
| 3. Pan Axis      | <a href="#">14. Extended interface</a>      |
| 4. Power Switch  | <a href="#">15. Mode Trigger</a>            |
| 5. Record Button | <a href="#">16. VILTA Pocket</a>            |
| 6. LED Indicator | <a href="#">17. Golden Finger Connector</a> |
| 7. Joystick      | <a href="#">18. 1/4 Screw Hole</a>          |
| 8. charging Port | <a href="#">19. Accessory Mounting Port</a> |
| 9. PUSH Button   | <a href="#">20. Power Status Indicator</a>  |
| 10. Lanyard Hole | <a href="#">21. Charging Port</a>           |
| 11. Camera Knob  | <a href="#">22. Charging Adapter</a>        |

## Operation Guide

### 1 Installation

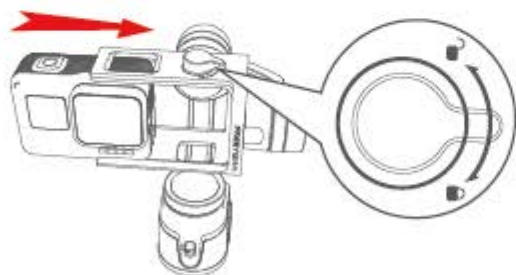
#### 1 Unlock the Gimbal



- 1) Slide the Pan Axis Lock down
- 2) Twist the Tilt Axis and Roll Axis to unlock

⚠ The LED Indicator will flash if any of the axis is locked.

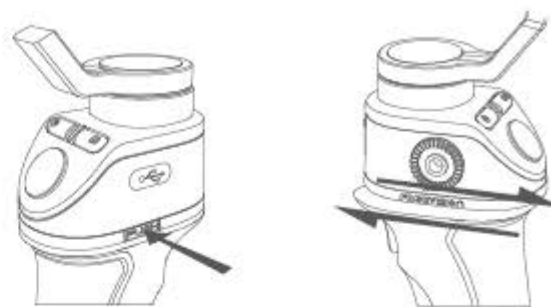
#### 2 Install the Camera



Insert the camera in the frame  
Fasten the knob as indicated

- ⚠
1. If you are Hero 4 user, insert the Hero 4 in the VILTA Pocket before install
  2. To avoid the camera falling, please make sure the knob is fastened before power on.

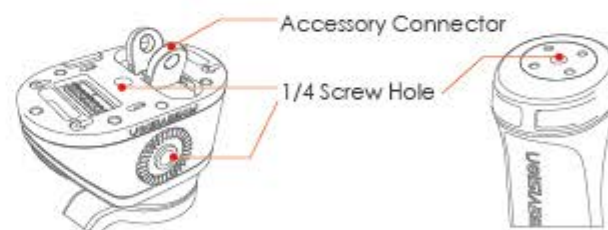
#### 3 Handle Dismantle and Mantle



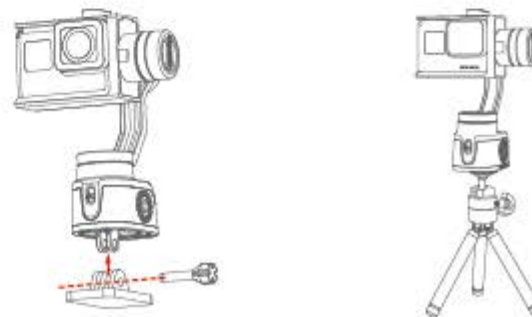
- a. Dismantle: Press PUSH button, hold gimbal, move forward and release
- b. Mantle: Slight push the base forward to match the base with the handle

⚠ Ensure you hear the a feedback sound after mantling the handle.

#### 4 Install Accessory

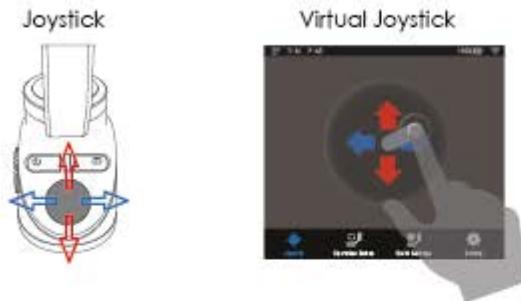


Adapt with GoPro accessories and tripod

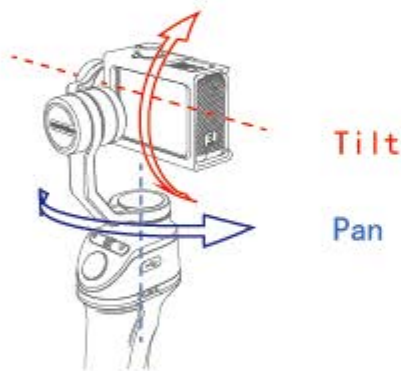


## 2 Control

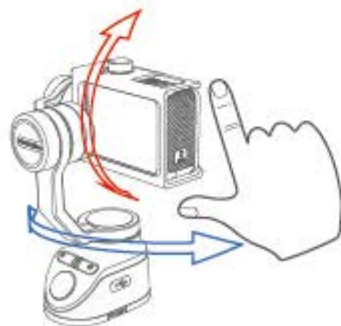
### 1 Joystick



- 1) Long press the Power Switch to turn on VILTA.
- 2) Control via joystick or virtual joystick in APP



### 2 Manual



- 1) Position the camera directly by hand
- 2) Manual Mode can be turned on/ off in App

## 3 Connect and Shoot

### 1 VILTA as smart controller

#### a. GoPro5

Power on the gimbal and camera, and follow this step from camera

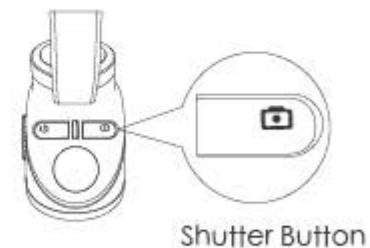
CONNECT → CONNECT NEW DEVICE → SMART CONTROLLER

#### b. GoPro 4

Power on the gimbal and camera, and follow this step from camera

Setting → WiFi : on → smart controller → WIFI Controller

When the Shutter button light is off, connection is successful.



Long press the shutter button for 2 seconds to shoot a video.

Short press to take a picture.



## 2 Connect APP

Download and install the APP



For iPhone

Please search Freevision in APP Store to download and install



For Android

Scan the QR code below to download and install



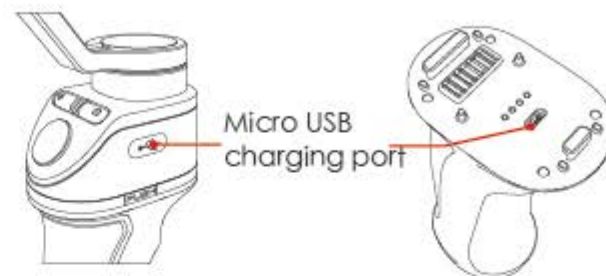
The shooting mode in the APP



- 1) Via App, you can control the gimbal and camera
- 2) You can select the shooting mode and watch the real-time footage in the App

## 4 Charging

### 1 VILTA

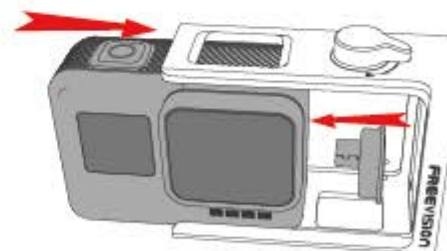


Charge wearable and handle separately through micro USB port

### 2 Battery life indicator

- 1) When the Power Switch light is flashing, please charge the wearable or change a handle. LED Indicator turns to green when fully charged.
- 2) When the handle is released, press the trigger to show the Power Status of handle. Four lights on when fully charged.

### 3 GoPro

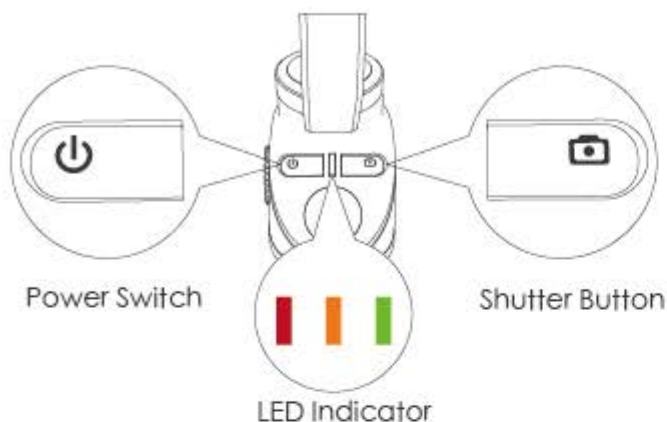



- 1) Take off the GoPro USB protective cover
- 2) Insert the charging adapter into GoPro's charging port, the camera will be charged by VILTA.


⚠ You can set GoPro charging mode via App

## 5 Advanced

### 1 Button & Detailed Function



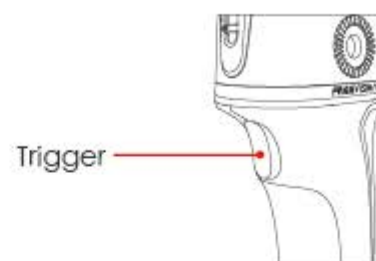
	Button	Function
 Power Switch	Long press for 2s	On / Off
	Long press for 7.5s	Forced Shutdown
	single press	Sleep/awake
	Double press (wearable gimbal only)	Control Mode

	Button	Function
 Shutter Button	Single Press	Picture
	Double Click	Selfie
	Long press	Video/ Save
	press when recording	Tag
	Long press for 6s	Pairing (Light on) Connected (Light off)

 LED	Red Flash	Warning
	Green Flash	Busy
	Yellow	Semi-follow
	Red	Follow
	Green	Lock

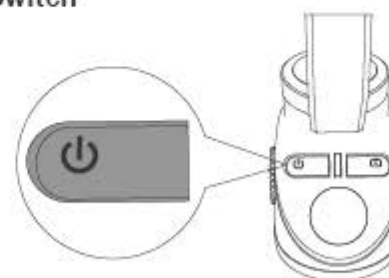
### 2 Mode

#### Trigger



Tap once	Semi-follow mode (default)	<i>The attitude of Tilt and Roll locked Pan smoothly by the movement of the handle</i>
Tap twice	Follow mode	<i>The attitude of Roll locked Pan and tilt smoothly by the movement of the handle</i>
Tap four times	Lock mode	<i>The attitude of Tilt, Roll, and Pan all locked The camera keep the current attitude</i>
Hold	Lock Mode (Return to the previous mode when released)	
Tap three times	Center the camera	The camera turn back to the center

#### Power Switch



When the handle is released, double click Power Switch to shift mode

## 6 Specifications

### 1 Basic Information:

Dimensions 94\*41mm\*258 (Folded)  
Weight 430g  
Supported Camera GoPro Hero3, Hero4, Hero5

### 2 Technical Specification:

#### • Controllable Rotation Range

Pan Axis: 360° (Infinite Rotation)  
Tilt Axis: -45° ~100°  
Roll axis: ± 40°

#### • Mechanical Endpoint Range

Pan Axis: 360° (Infinite Rotation)  
Tilt Axis: -90° to 135°  
Roll Axis: -44° to +90°  
Mechanical Controllable Rotation Speed:  
Adaptive Rotation speed ( $\pm 500^\circ /s$ )

#### • Accuracy

Static Accuracy	Motion Accuracy
pitch: 0.001°	Pitch: 0.01°
Pan: 0.001°	Roll: 0.01°
Roll: 0.002°	Yaw: 0.02°

#### • Gimbal Battery

Voltage	7.4V m
Working Current Static:	350mA
Dynamic:	3A
Consumption	2.5W
Max Controllable Rotation Speed:	$\pm 500^\circ /s$

#### • Handle Battery

Battery Type	Smart Lithium Battery
Gimbal Battery Capacity	400 mAh
Energy	2.96 Wh
Voltage	7.4 V
Handle Battery Capacity	2000mAh
Energy	14.8Wh

### 3 Other Specification

• Operating Temperature:	-10°C to 50°C
• Wearable Gimbal Working Time:	1.2h
• Handheld Gimbal Working Time:	6h
• Handle Charging Time:	2.5 h (5V,2A)
• Gimbal Charging Time:	1h (5V, 2A)
• WIFI Working Frequency	2.412-2.462 GHz

### Packing list

1. VILTA Handheld gimbal
2. Charging cable
3. Portable bag
4. Lanyard
5. Manual

### Warning

1. Do not expose to fire or high heat
2. Please be cautioned dropping or collision will possibly break VILTA
3. VILTA is not water-proof, do not allow contact water or liquid cleanser
4. Do not disassemble, repair or modify VILTA
5. VILTA is defaulted to be performance mode, the noise is normal phenomenon, please set it Silent mode in the App to reduce the noise.
6. The handle and the base need to be charged separately, please use the charger according to public safety regulations.
7. Do not interfere the operation of VILTA in the working state.
8. The product is not suitable for children to use

Web: [www.freevisiontech.com](http://www.freevisiontech.com)  
Service Tel: 400-997-0100



## Warranty Card

From the purchase date, you enjoy the free repair within 12 months with this card if it occurs any quality problems.

### Warranty Rules

If your VILTA meets the following requirements, you can enjoy the warranty policy:

- 1) If within 7 days of purchase and it occurs manufacturing defect, the customer can choose to have a full refund (based on the invoice price) or exchange the product for a new one.
- 2) With 1 year of purchase, you can enjoy free repair if it is non man-made problem.
- 3) The product has not been refitted, disassembled or modified.
- 4) Valid purchase proof is provided.

### Non warranty rule

If your VILTA falls under one of the following situations, we will charge appropriate maintenance cost:

- 1) A man made problem affecting the quality of product;
- 2) Damage caused by refitting, disassemble, or opening of the shell;
- 3) An uncontrollable incident( earthquake, fire, flood, war) resulting damage;
- 4) Damage caused by not using as stated in the user manual

### Warranty Information

- 1) The customer is at first required to pay the product return delivery fee. After Freevision after-sale service center receives the product, it will undergo a test.
- 2) If the product does not conform to the conditions for free repair, Freevision will assess the problem and cost of repair, the customer has the right to repair or deliver it back.
- 3) When you receive the repair service, please provide valid purchase proof and this warranty card. Please note: The warranty card only becomes valid after sale. The card can not be altered, or it will be deemed invalid.
- 4) Freevision reserves the right of final interpretation.

## Maintenance record

### Customer Information

Name: \_\_\_\_\_

TEL: \_\_\_\_\_

Post Code: \_\_\_\_\_

Email: \_\_\_\_\_

Address: \_\_\_\_\_

### Dealer Information

Name: \_\_\_\_\_

TEL: \_\_\_\_\_

Post Code: \_\_\_\_\_

Email: \_\_\_\_\_

Address: \_\_\_\_\_

### Product Information

Mode: \_\_\_\_\_

Product Code: \_\_\_\_\_

Purchase Date: \_\_\_\_\_



Inspection Date	Repair Date	Cause of Fault	Result	Employee Signature

#### FCC RF Exposure Information and Statement

This device meets the government's requirements for exposure to radio waves. The guidelines are based on standards that were developed by independent scientific organizations through periodic and thorough evaluation of scientific studies. The standards include a substantial safety margin designed to assure the safety of all persons regardless of age or health. The SAR limit of USA (FCC) is 1.6 W/kg averaged. Device types: VILTA (FCC ID: 2ALQU-VT01) has also been tested against this SAR limit. SAR information on this and other pad can be viewed on - line at <http://www.fcc.gov/oet/ea/fccid/>. Please use the device FCC ID number for search. This device was tested simulation typical 5mm to body and 0 mm to hand. To maintain compliance with FCC RF exposure requirements, use accessories should maintain a separation distance between the user's bodies mentioned above, the use of belt clips, holsters and similar accessories should not contain metallic components in its assembly, the use of accessories that do not satisfy these requirements may not comply with FCC RF exposure requirements, and should be avoided.

#### FCC Warning

This device complies with Part 15 of the FCC Rules. Operation is subject to the following two conditions:

- (1) This device may not cause harmful interference, and (2) this device must accept any interference received, including interference that may cause undesired operation.

NOTE: Any changes or modifications to this unit not expressly approved by the party responsible for compliance could void the user's authority to operate the equipment.

#### IC RF Exposure Information and Statement

This device meets the government's requirements for exposure to radio waves. The guidelines are based on standards that were developed by independent scientific organizations through periodic and thorough evaluation of scientific studies. The standards include a substantial safety margin designed to assure the safety of all persons regardless of age or health. The SAR limit of IC is 1.6 W/kg averaged. Device types: VILTA (IC: 22607-VT01) has also been tested against this SAR limit. SAR information on this and other pad can be viewed on - line at <https://sms-sgs.ic.gc.ca/equipmentSearch/searchRadioEquipments?execution=e1s1&lang=en>. Please use the device IC number for search. This device was tested simulation typical 5mm to body and 0 mm to hand. To maintain compliance with IC RF exposure requirements, use accessories should maintain a separation distance between the user's bodies mentioned above, the use of belt clips, holsters and similar accessories should not contain metallic components in its assembly, the use of accessories that do not satisfy these requirements may not comply with IC RF exposure requirements, and should be avoided.

#### IC WARNING

This device complies with Industry Canada's licence-exempt RSSs. Operation is subject to the following two conditions:

- (1) This device may not cause interference; and
- (2) This device must accept any interference, including interference that may cause undesired operation of the device.

Le présent appareil est conforme aux CNR d'Industrie Canada applicables aux appareils radio exempts de licence. L'exploitation est autorisée aux deux conditions suivantes: (1) l'appareil ne doit pas produire de brouillage, et (2) l'utilisateur de l'appareil doit accepter tout brouillage radioélectrique subi, même si le brouillage est susceptible d'en compromettre le fonctionnement.